



US00D775090S

(12) **United States Design Patent**  
**Kim**

(10) **Patent No.:** **US D775,090 S**

(45) **Date of Patent:** **\*\* Dec. 27, 2016**

- (54) **LIGHT EMITTING DIODE**
- (71) Applicant: **Seoul Viosys Co., Ltd.**, Ansan-si (KR)
- (72) Inventor: **Ji Hye Kim**, Ansan-si (KR)
- (73) Assignee: **SEOUL VIOSYS CO., LTD.**, Ansan-Si (KR)
- (\*\*) Term: **15 Years**
- (21) Appl. No.: **29/543,423**
- (22) Filed: **Oct. 23, 2015**

- D647,494 S \* 10/2011 Chang ..... D13/180
- D647,495 S \* 10/2011 Chang ..... D13/180
- 8,188,504 B2 \* 5/2012 Lee ..... H01L 27/15  
257/103
- 8,309,971 B2 \* 11/2012 Seo ..... H01L 33/08  
257/79
- 8,319,233 B2 \* 11/2012 Beom ..... H01L 33/38  
257/13
- 8,455,912 B2 \* 6/2013 Tanaka ..... H01L 33/20  
257/100
- 8,471,242 B2 \* 6/2013 Kim ..... H01L 33/42  
257/13
- D688,819 S \* 8/2013 Shen ..... D13/180
- D709,840 S \* 7/2014 Tsai ..... D13/180
- D716,238 S \* 10/2014 Yeh ..... D13/180
- 9,029,899 B2 \* 5/2015 Kim ..... H01L 33/20  
257/99
- D750,580 S \* 3/2016 Yeh ..... D13/180
- 9,349,920 B2 \* 5/2016 Na ..... H01L 33/387

(30) **Foreign Application Priority Data**

Apr. 23, 2015 (KR) ..... 30-2015-0020881

- (51) **LOC (10) Cl.** ..... **13-03**
- (52) **U.S. Cl.**  
USPC ..... **D13/180**
- (58) **Field of Classification Search**  
USPC ..... D13/180; D26/1  
CPC .... H01L 25/167; H01L 25/0753; H01L 27/15;  
H01L 27/156; H01L 31/02; H01L 33/00;  
H01L 33/04; H01L 33/08; H01L 33/10;  
H01L 33/20; H01L 33/38; H01L 33/42;  
H01L 33/48; H01L 33/62; H01L 33/483;  
H01L 33/486; F21K 9/00; F21K  
9/30; F21K 9/54

See application file for complete search history.

(56) **References Cited**

**U.S. PATENT DOCUMENTS**

- D579,019 S \* 10/2008 Lei ..... D13/180
- D647,493 S \* 10/2011 Chang ..... D13/180

(Continued)

*Primary Examiner* — Selina Sikder

(74) *Attorney, Agent, or Firm* — Perkins Coie LLP

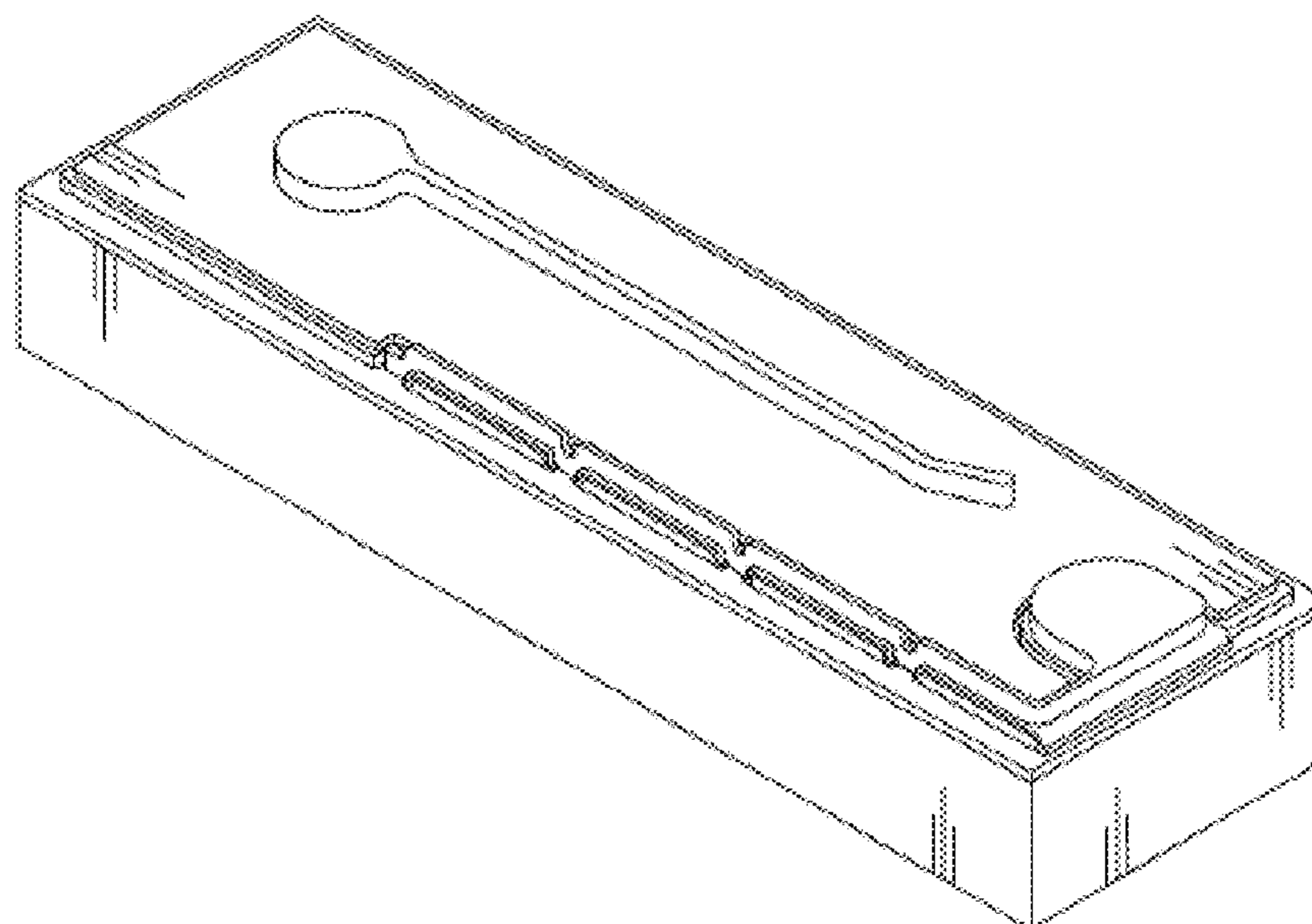
(57) **CLAIM**

The ornamental design for a light emitting diode, as shown and described.

**DESCRIPTION**

FIG. 1 is a perspective view illustrating an overall shape of a light emitting diode;  
 FIG. 2 is a front view of the light emitting diode;  
 FIG. 3 is a rear view of the light emitting diode;  
 FIG. 4 is a left-side view of the light emitting diode;  
 FIG. 5 is a right-side view of the light emitting diode;  
 FIG. 6 is a top view of the light emitting diode; and,  
 FIG. 7 is a bottom view of the light emitting diode.

**1 Claim, 4 Drawing Sheets**



(56)

**References Cited**

U.S. PATENT DOCUMENTS

2011/0140160 A1\* 6/2011 Kim ..... H01L 33/44  
257/99  
2012/0074438 A1\* 3/2012 Hwang ..... H01L 33/0095  
257/88  
2013/0020599 A1\* 1/2013 Han ..... H01L 33/38  
257/98

\* cited by examiner

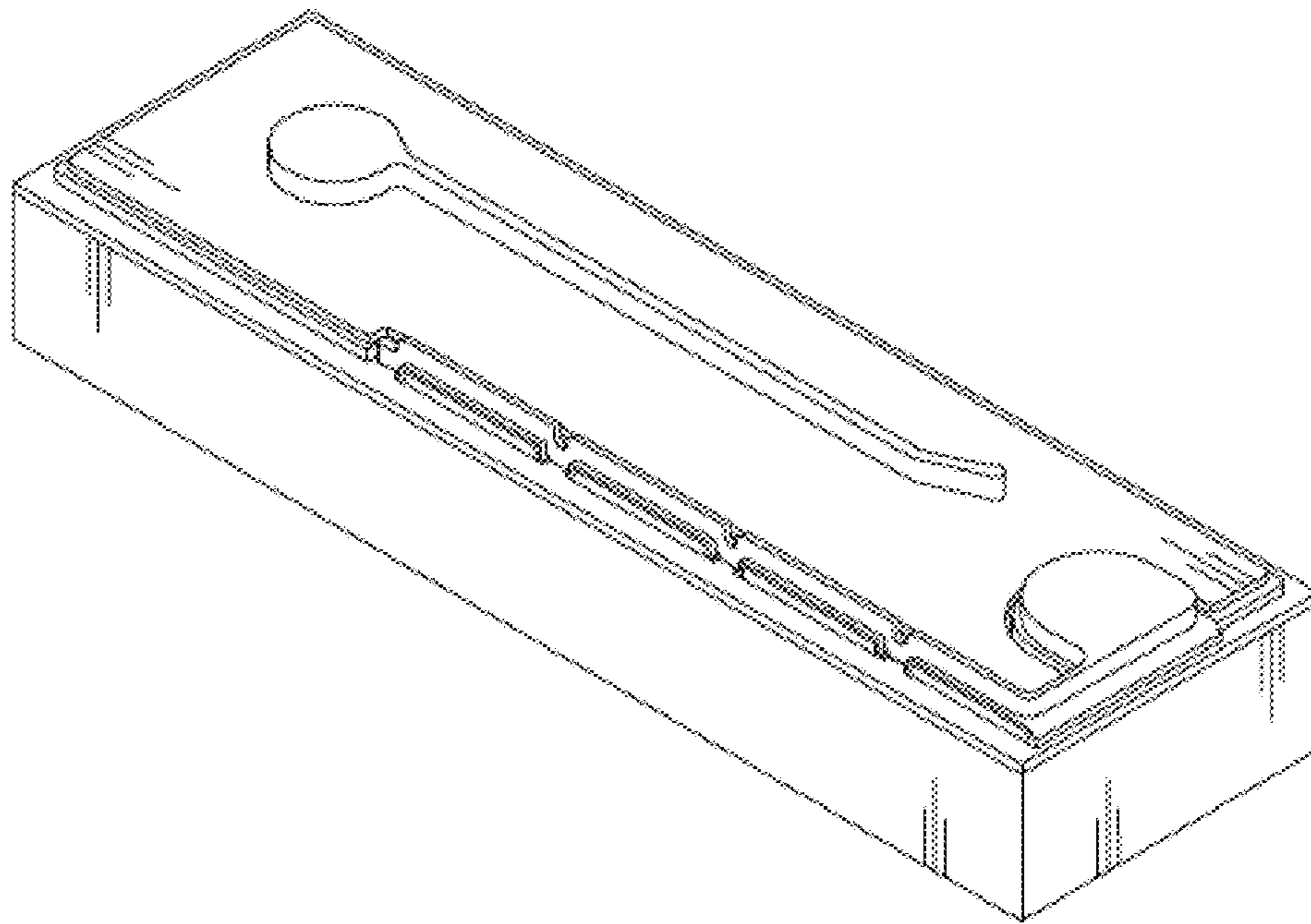


FIGURE 1

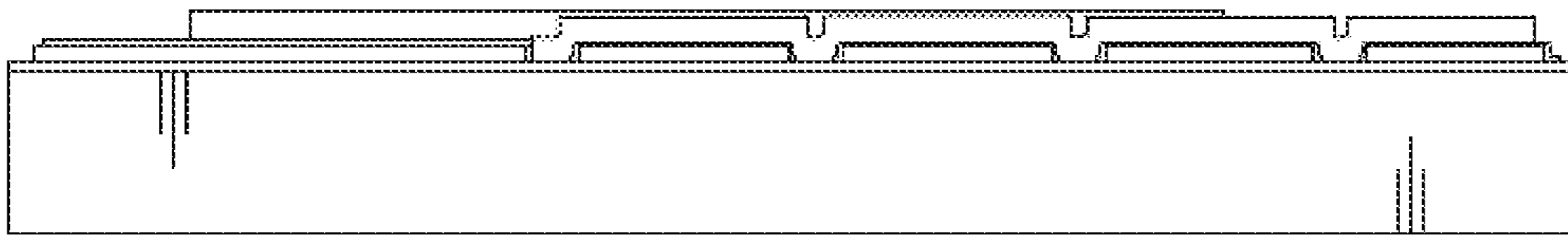


FIGURE 2

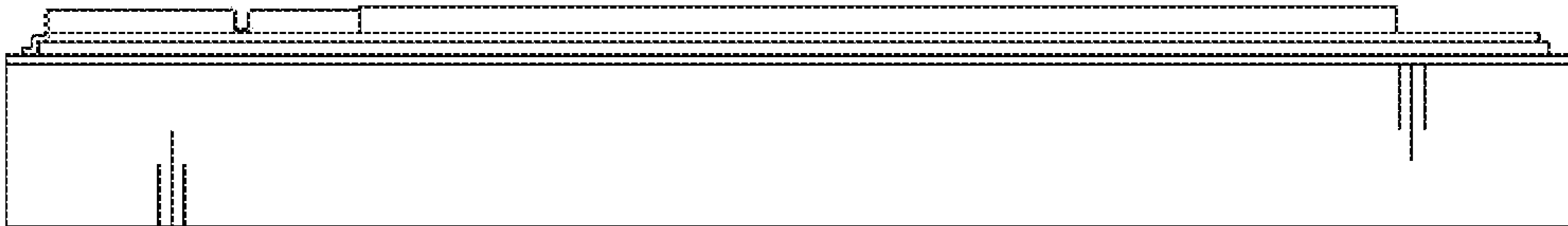


FIGURE 3

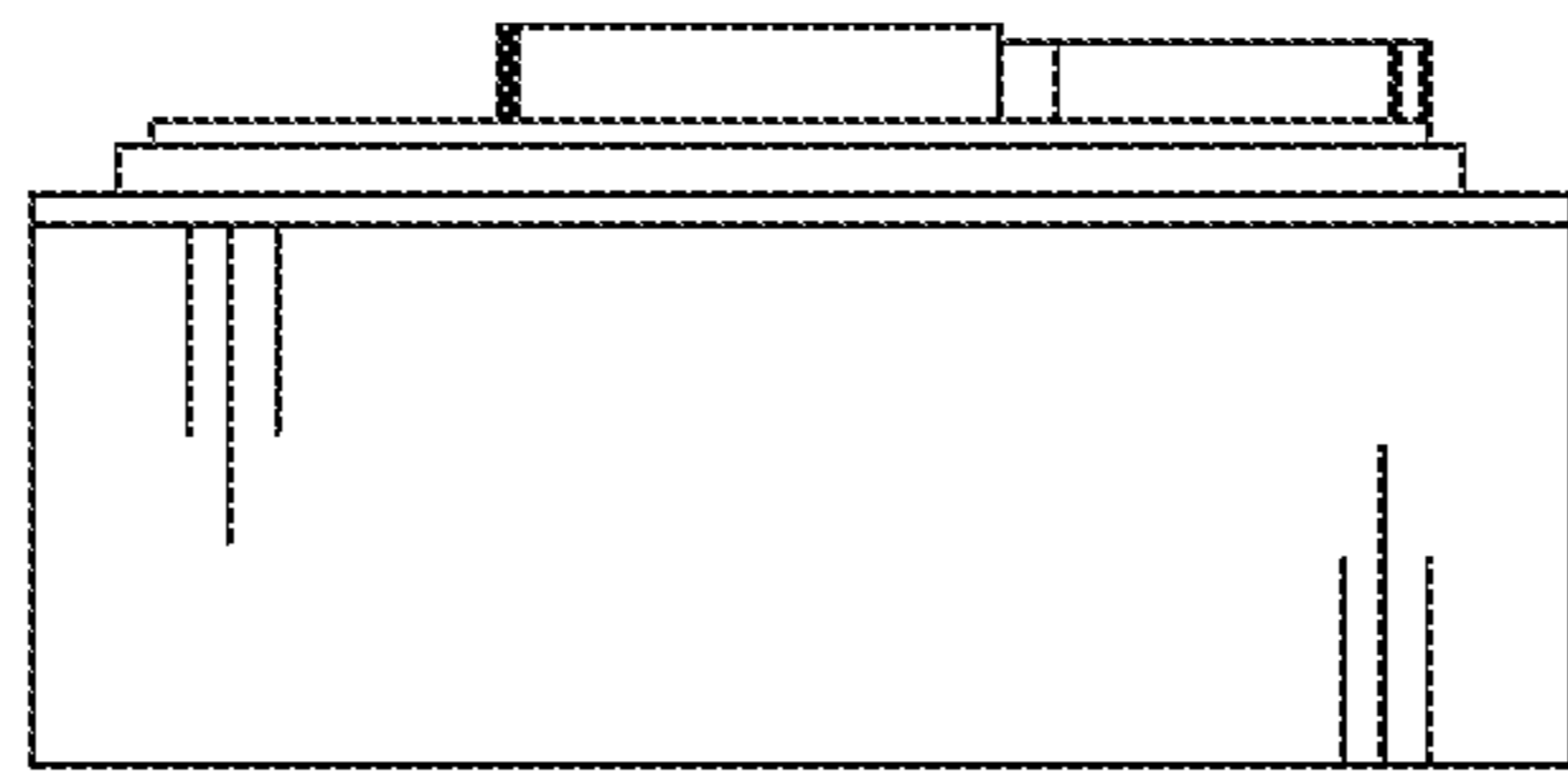


FIGURE 4

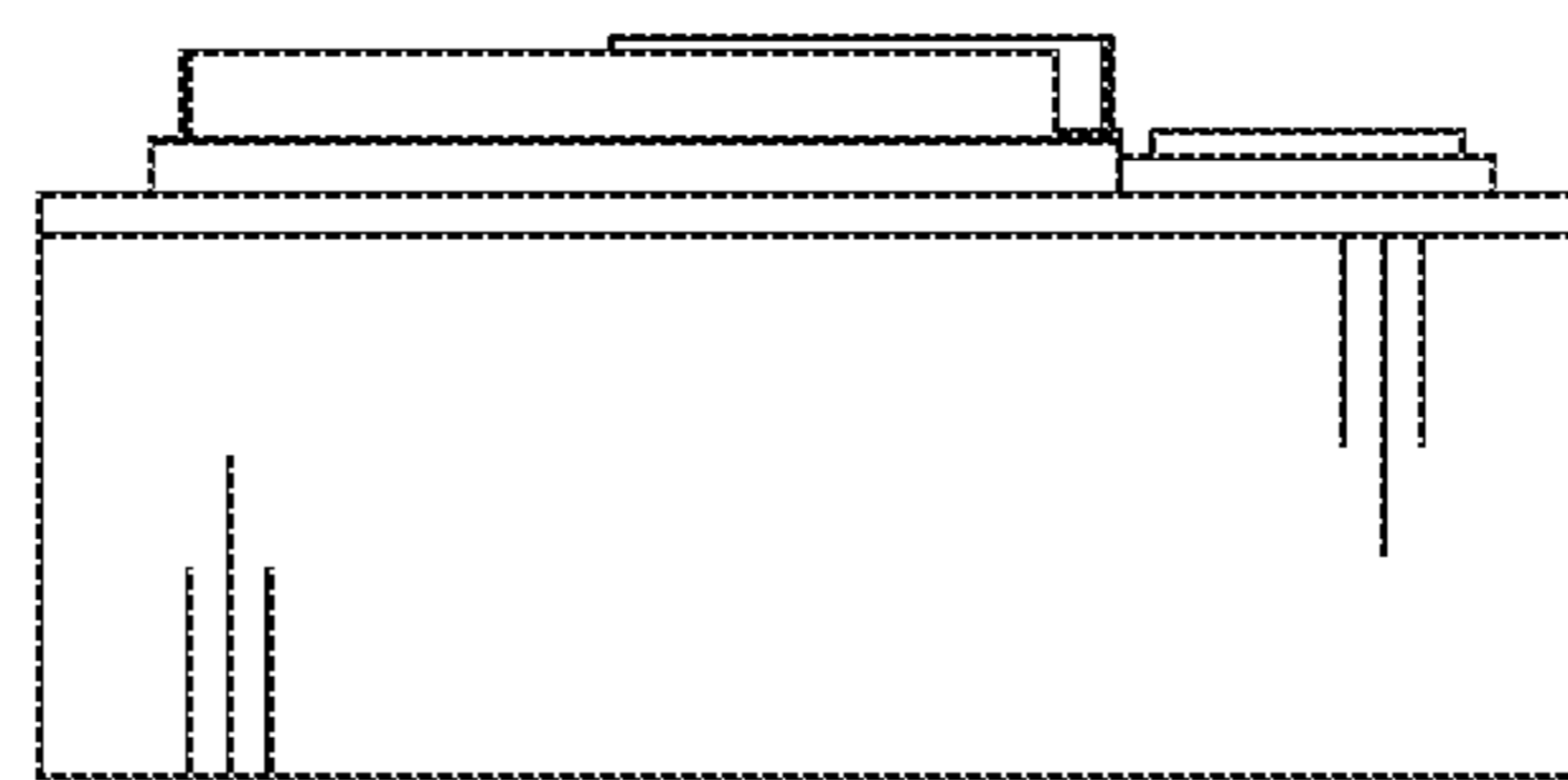


FIGURE 5

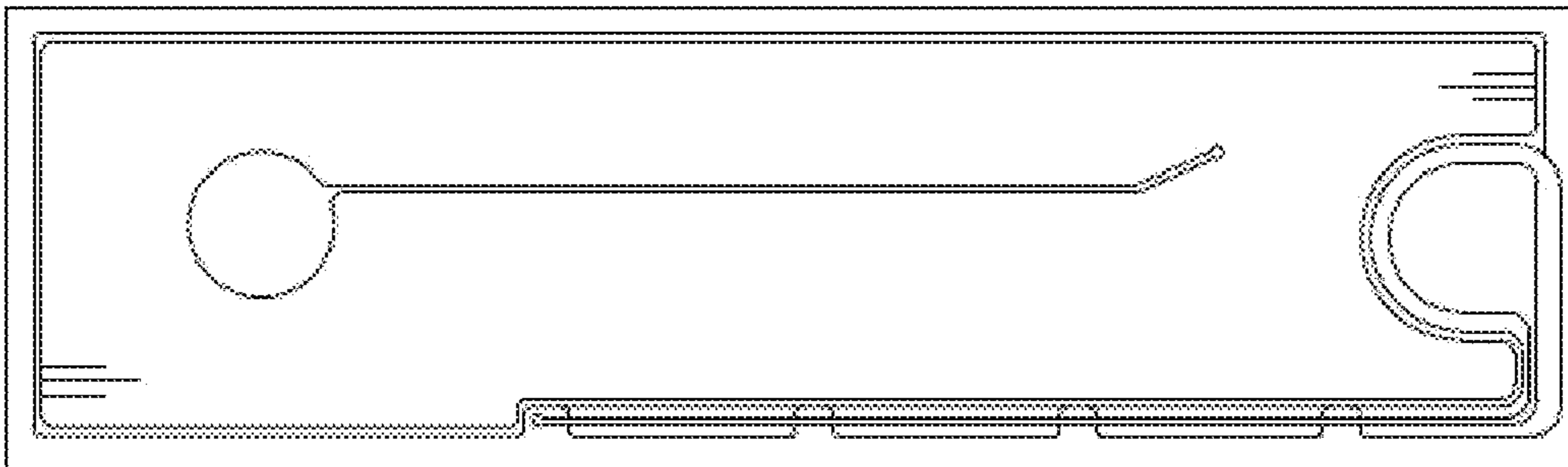


FIGURE 6

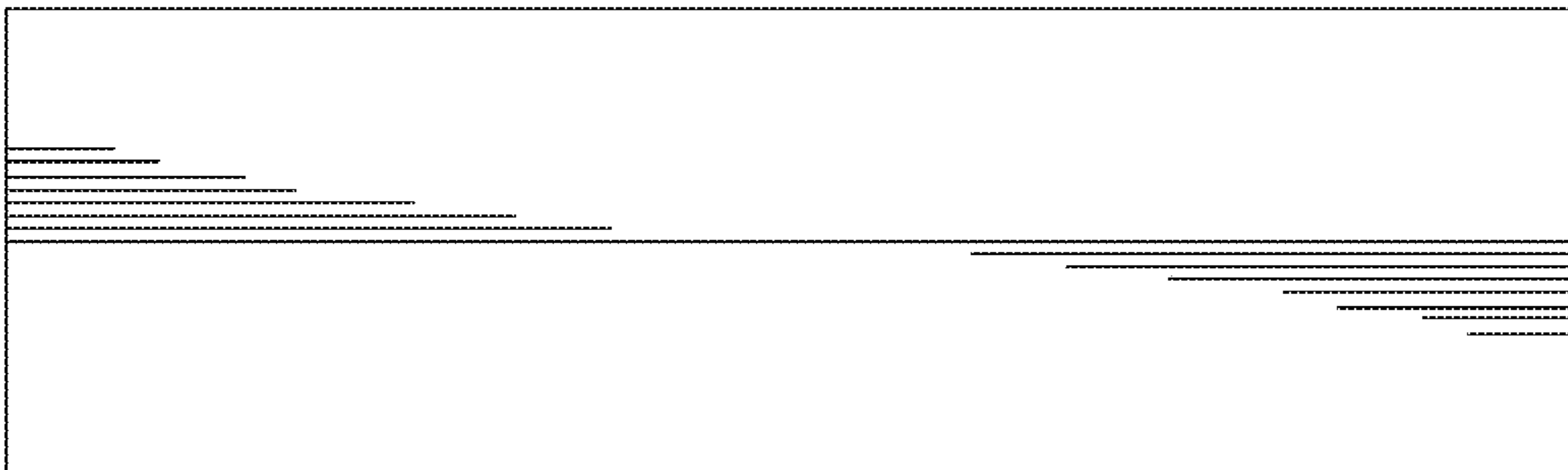


FIGURE 7