



US00D775087S

(12) **United States Design Patent**  
**Li et al.**

(10) **Patent No.:** **US D775,087 S**

(45) **Date of Patent:** **\*\* Dec. 27, 2016**

(54) **LOCKING MECHANISM**

(71) Applicant: **FOXCONN INTERCONNECT TECHNOLOGY LIMITED**, Grand Cayman (KY)

(72) Inventors: **Zhuang-Xing Li**, Kunshan (CN); **Su-Dong Li**, Kunshan (CN); **Yin-Xia Zhang**, Kunshan (CN)

(73) Assignee: **FOXCONN INTERCONNECT TECHNOLOGY LIMITED**, Grand Cayman (KY)

(\*\*) Term: **14 Years**

(21) Appl. No.: **29/520,219**

(22) Filed: **Mar. 12, 2015**

(51) **LOC (10) Cl.** ..... **13-03**

(52) **U.S. Cl.**  
USPC ..... **D13/154**

(58) **Field of Classification Search**  
USPC ..... D13/120, 133, 147, 154, 184, 199  
CPC ..... H01R 9/00; H01R 12/00; H01R 13/00  
See application file for complete search history.

(56) **References Cited**

**U.S. PATENT DOCUMENTS**

D463,384 S \* 9/2002 Hu ..... D13/199  
D491,148 S \* 6/2004 Zhao ..... D13/147

6,979,206 B2 12/2005 Bu et al.  
D611,426 S \* 3/2010 Kuo ..... D13/147  
D627,740 S \* 11/2010 Wu ..... D13/154  
8,616,903 B2 \* 12/2013 Li ..... H01R 12/721  
439/157  
2010/0167558 A1 \* 7/2010 Guan ..... H01R 12/7029  
439/65  
2013/0109216 A1 \* 5/2013 Chien ..... H01R 12/7005  
439/345

\* cited by examiner

*Primary Examiner* — Daniel Bui

(74) *Attorney, Agent, or Firm* — Wei Te Chung; Ming Chieh Chang

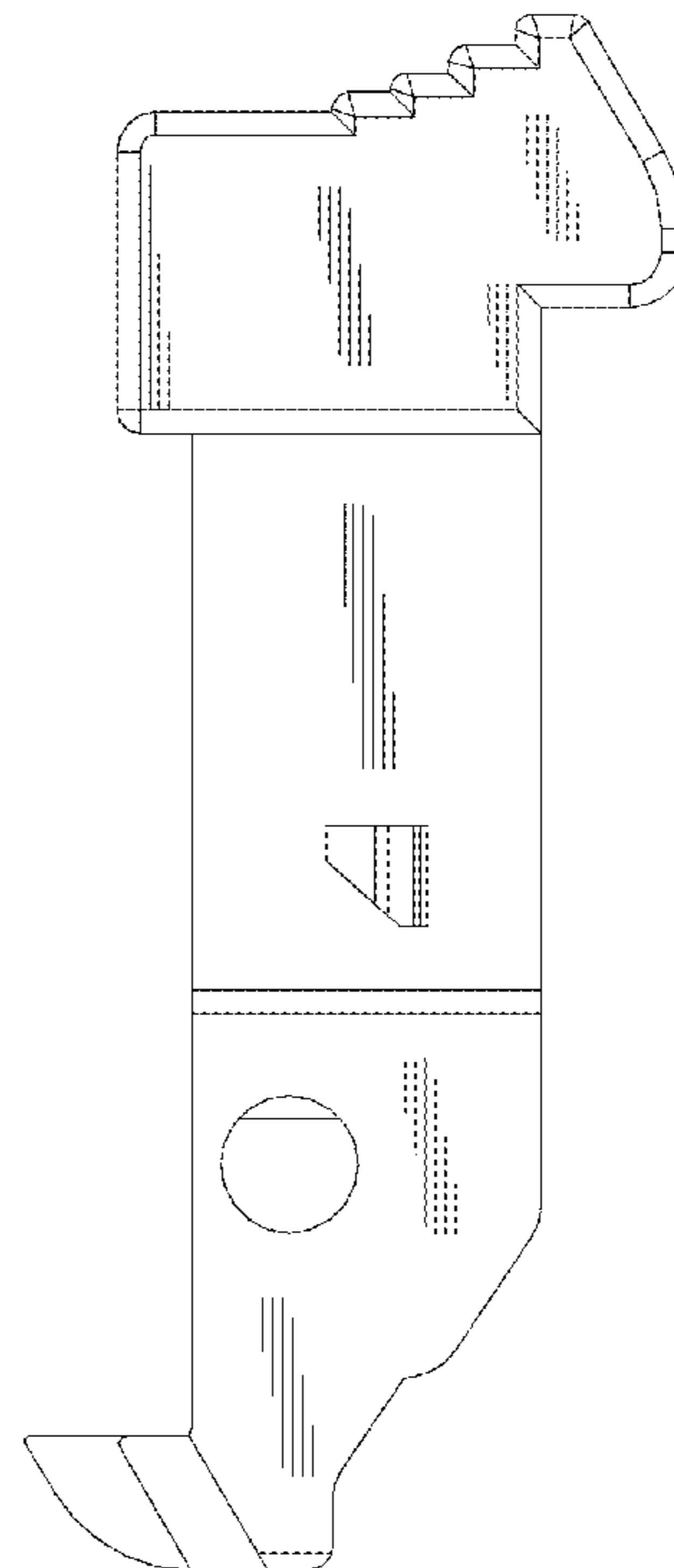
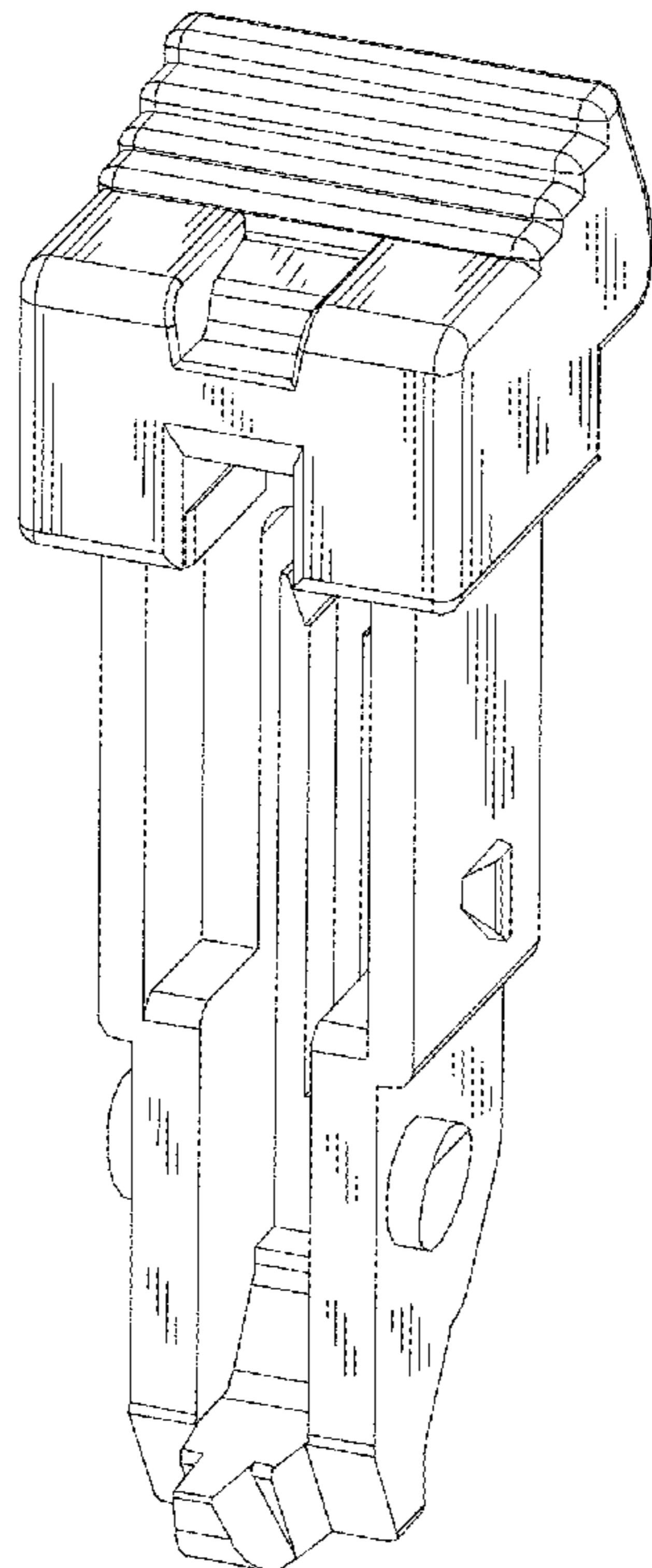
(57) **CLAIM**

The ornamental design for a locking mechanism, as shown.

**DESCRIPTION**

FIG. 1 is a front, top and right side perspective view of a locking mechanism showing our new design; FIG. 2 is a front elevational view thereof; FIG. 3 is a rear elevational view thereof; FIG. 4 is a left side elevational view thereof; FIG. 5 is a right side elevational view thereof; FIG. 6 is a top plan view thereof; and, FIG. 7 is a bottom plan view thereof.

**1 Claim, 7 Drawing Sheets**



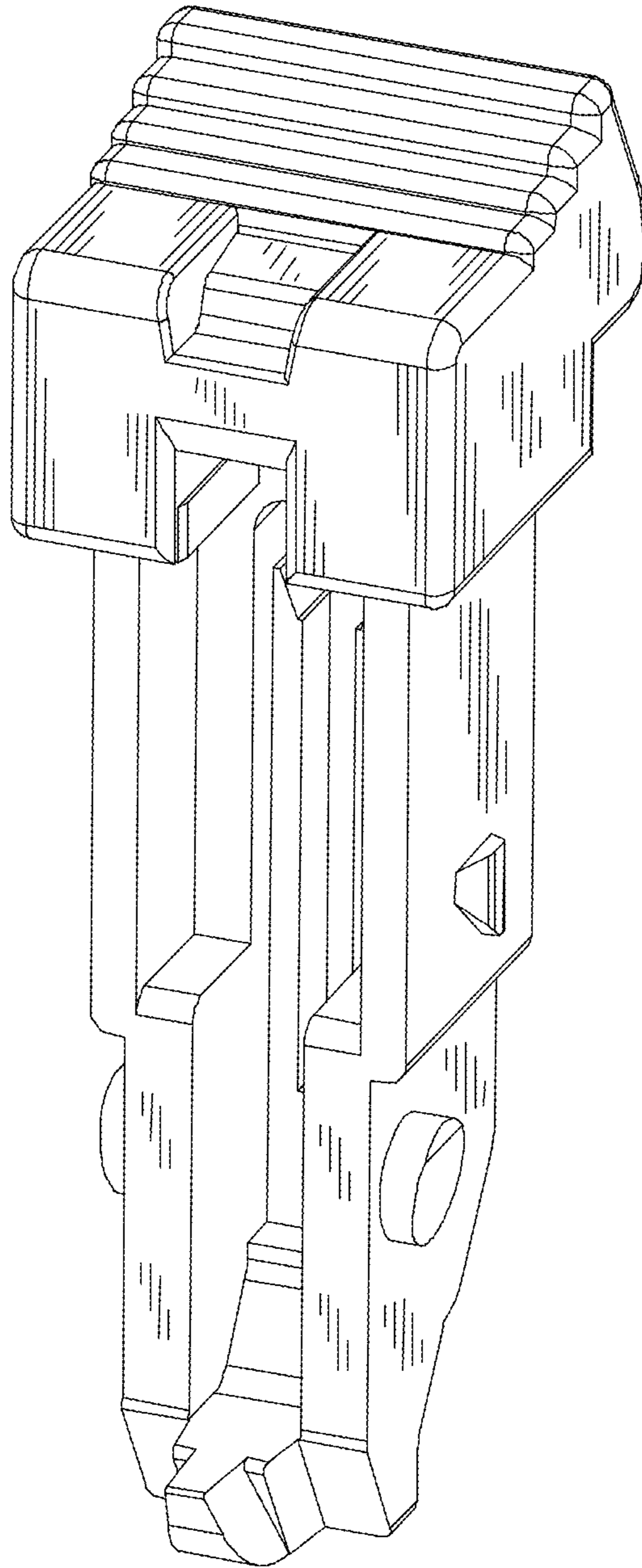


FIG. 1

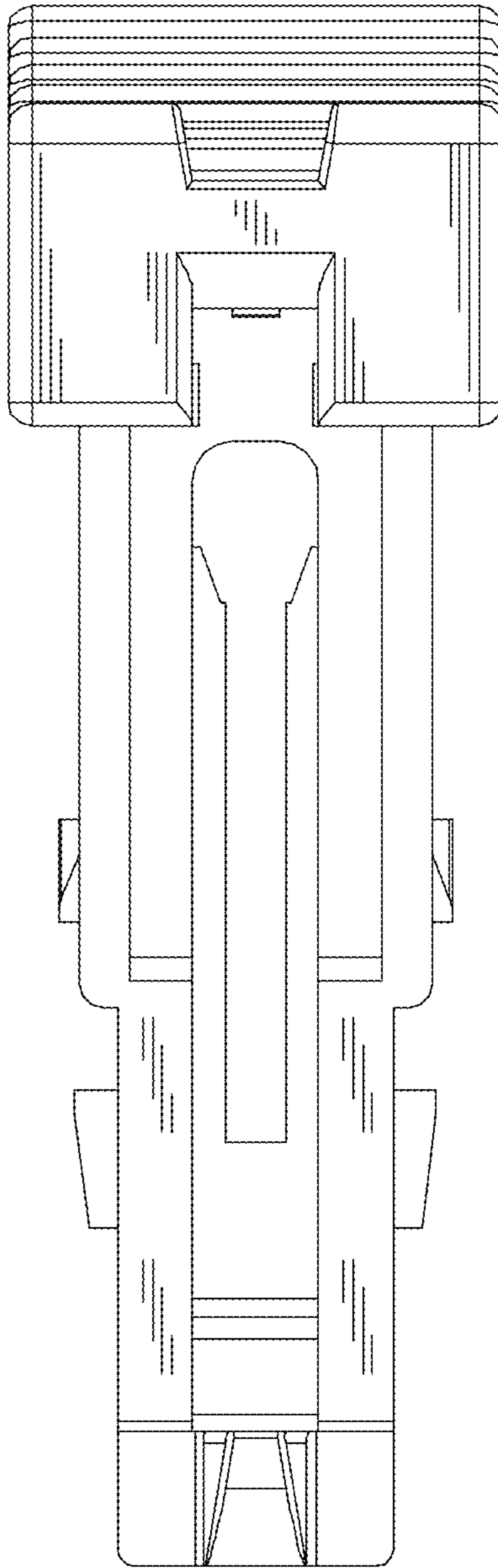


FIG. 2

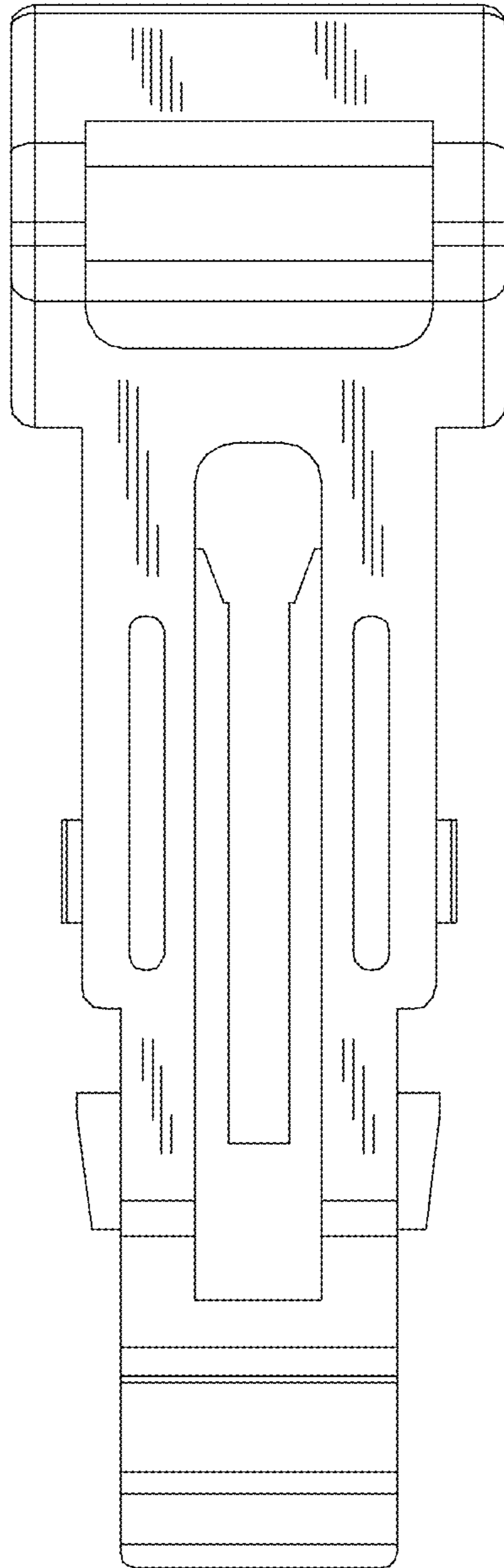


FIG. 3

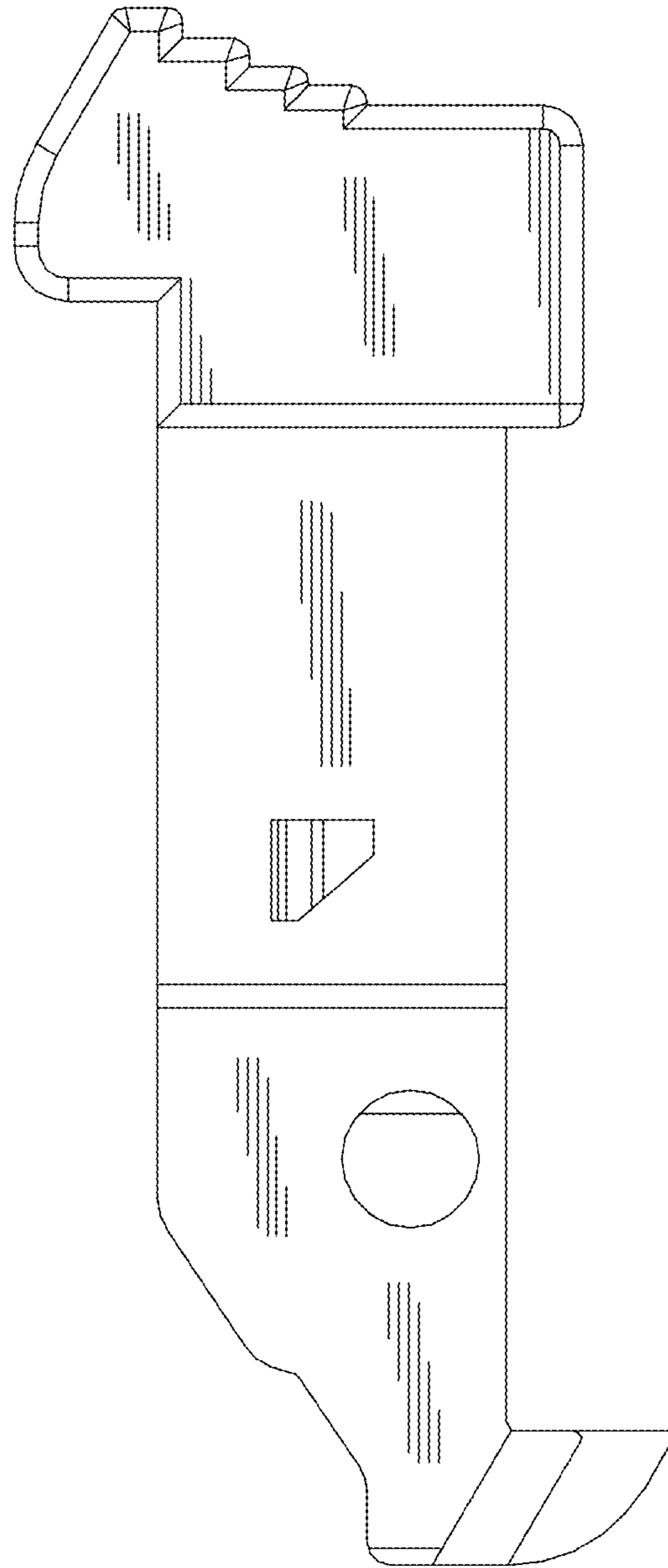


FIG. 4

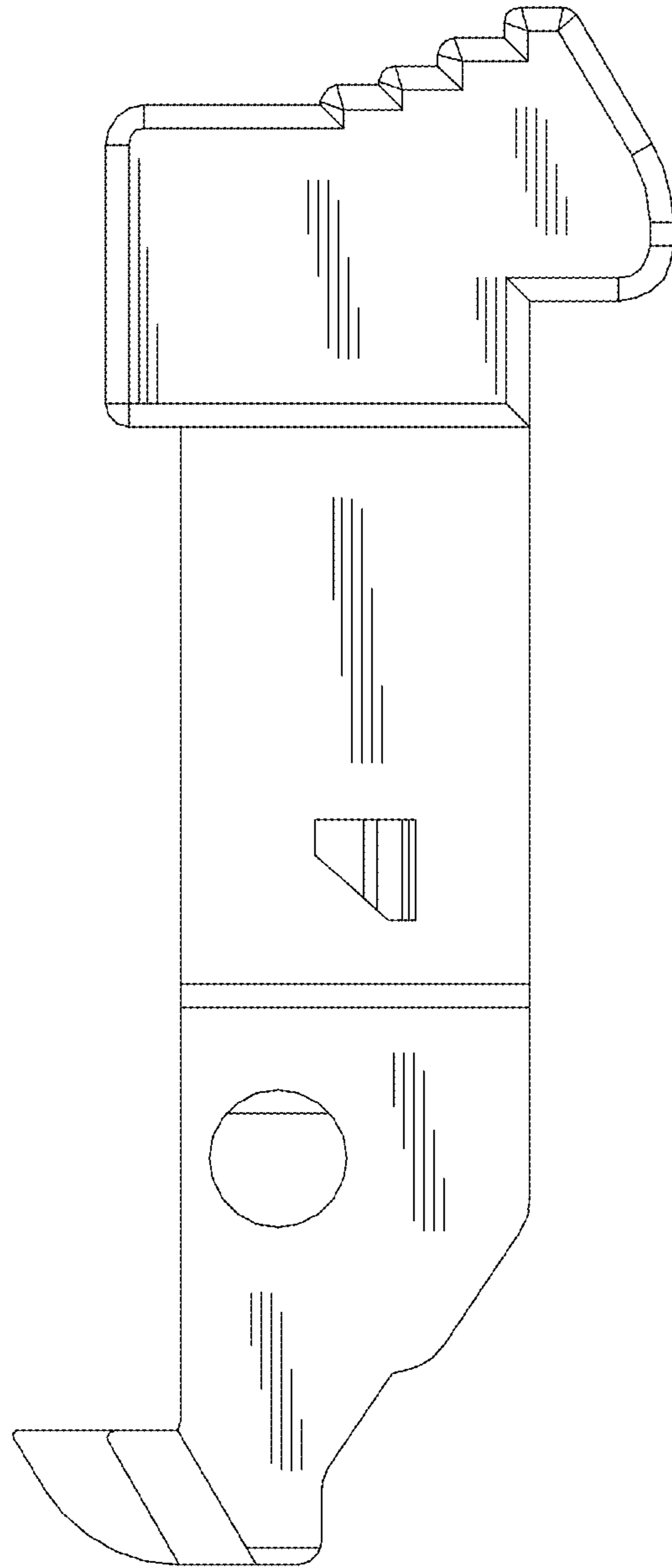


FIG. 5

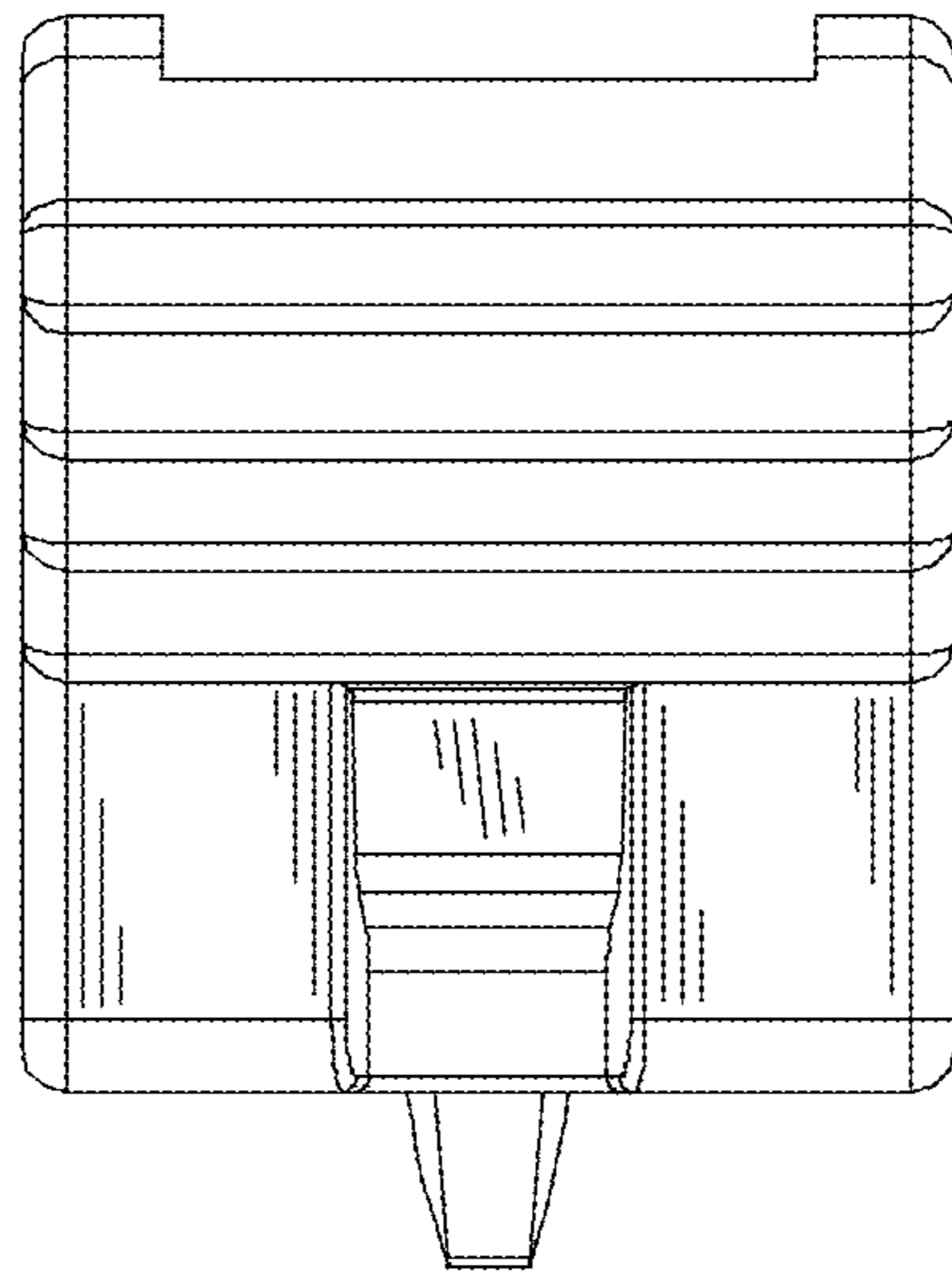


FIG. 6

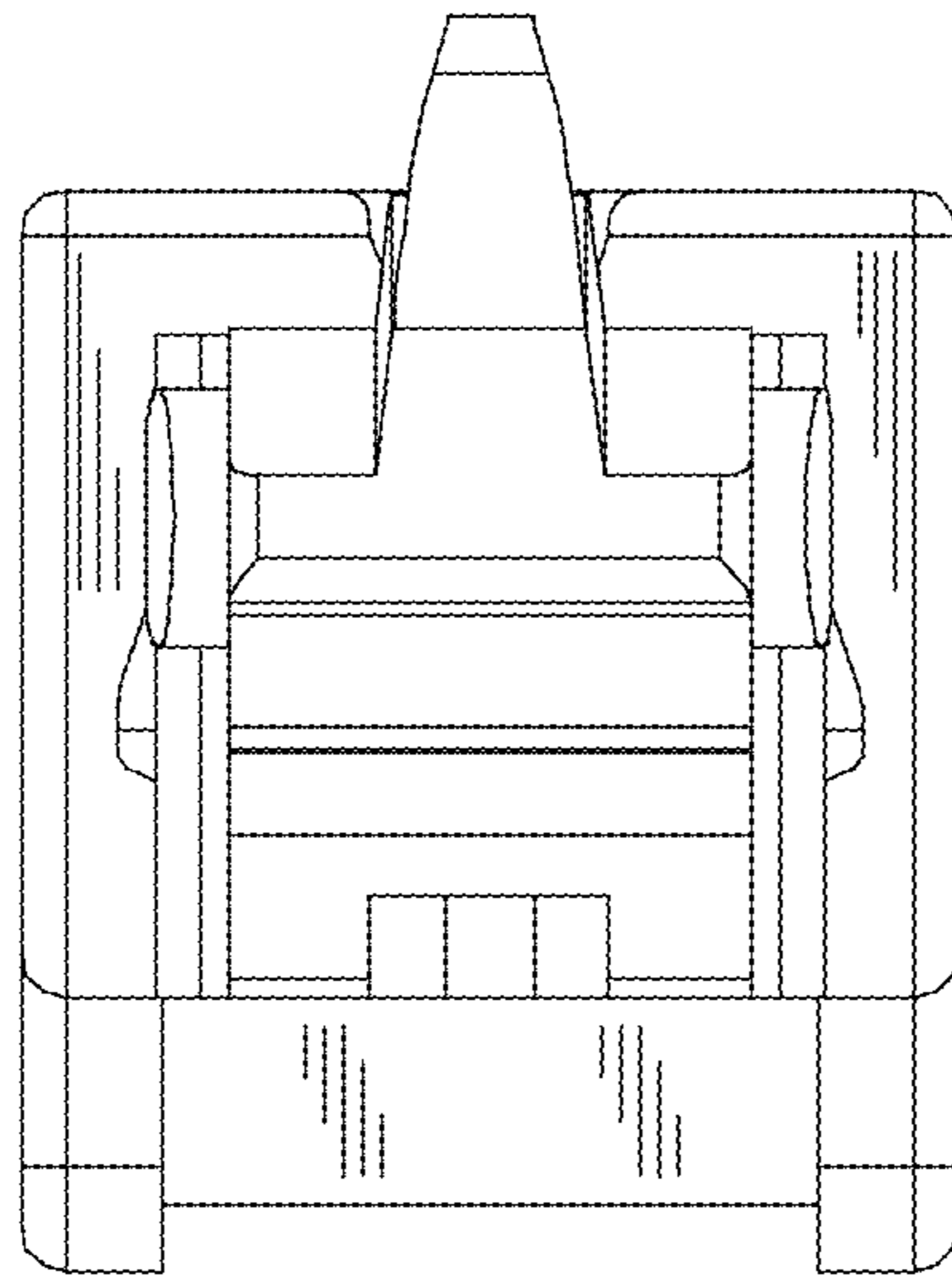


FIG. 7