



US00D775086S

(12) **United States Design Patent** (10) **Patent No.:** **US D775,086 S**
Van Dalen et al. (45) **Date of Patent:** **** Dec. 27, 2016**

(54) **PLUG INSERT** D761,957 S * 7/2016 Lee D24/133

(71) Applicants: **Johan T. W. Van Dalen**, Tucson, AZ
(US); **Dan D. Carda**, Tucson, AZ (US)

* cited by examiner

(72) Inventors: **Johan T. W. Van Dalen**, Tucson, AZ
(US); **Dan D. Carda**, Tucson, AZ (US)

Primary Examiner — Daniel Bui

(74) *Attorney, Agent, or Firm* — Dale F. Regelman;
Quarles & Brady LLP

(**) Term: **14 Years**

(21) Appl. No.: **29/516,452**

(57) **CLAIM**

(22) Filed: **Feb. 2, 2015**

The ornamental design for a plug insert, as shown and described.

(51) **LOC (10) Cl.** **13-03**

(52) **U.S. Cl.**
USPC **D13/154**

DESCRIPTION

(58) **Field of Classification Search**

USPC D13/120, 133, 147, 154, 184, 199;
D24/110, 133, 141, 184, 187; 439/66, 71,
439/700

CPC H01R 12/00; H01R 24/00
See application file for complete search history.

FIG. 1 is a perspective view of a plug insert showing our new invention;

FIG. 2 is a first side elevation view thereof;

FIG. 3 is a second side elevation view thereof;

FIG. 4 is a third side elevation view thereof;

FIG. 5 is a fourth side elevation view thereof;

FIG. 6 is a top plan view thereof; and,

FIG. 7 is a bottom plan view thereof.

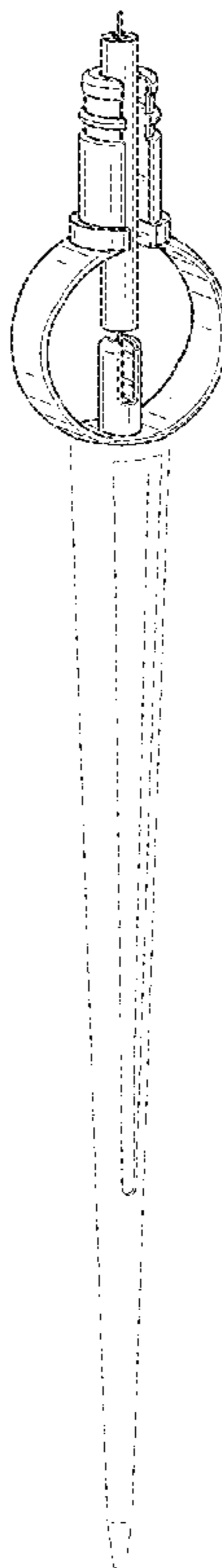
In the drawings, the broken lines represent unclaimed environment only and form no part of the claimed design.

(56) **References Cited**

U.S. PATENT DOCUMENTS

D581,052 S * 11/2008 Root D24/133
D587,806 S * 3/2009 Hahn D24/133
D700,698 S * 3/2014 Evans D24/133

1 Claim, 3 Drawing Sheets



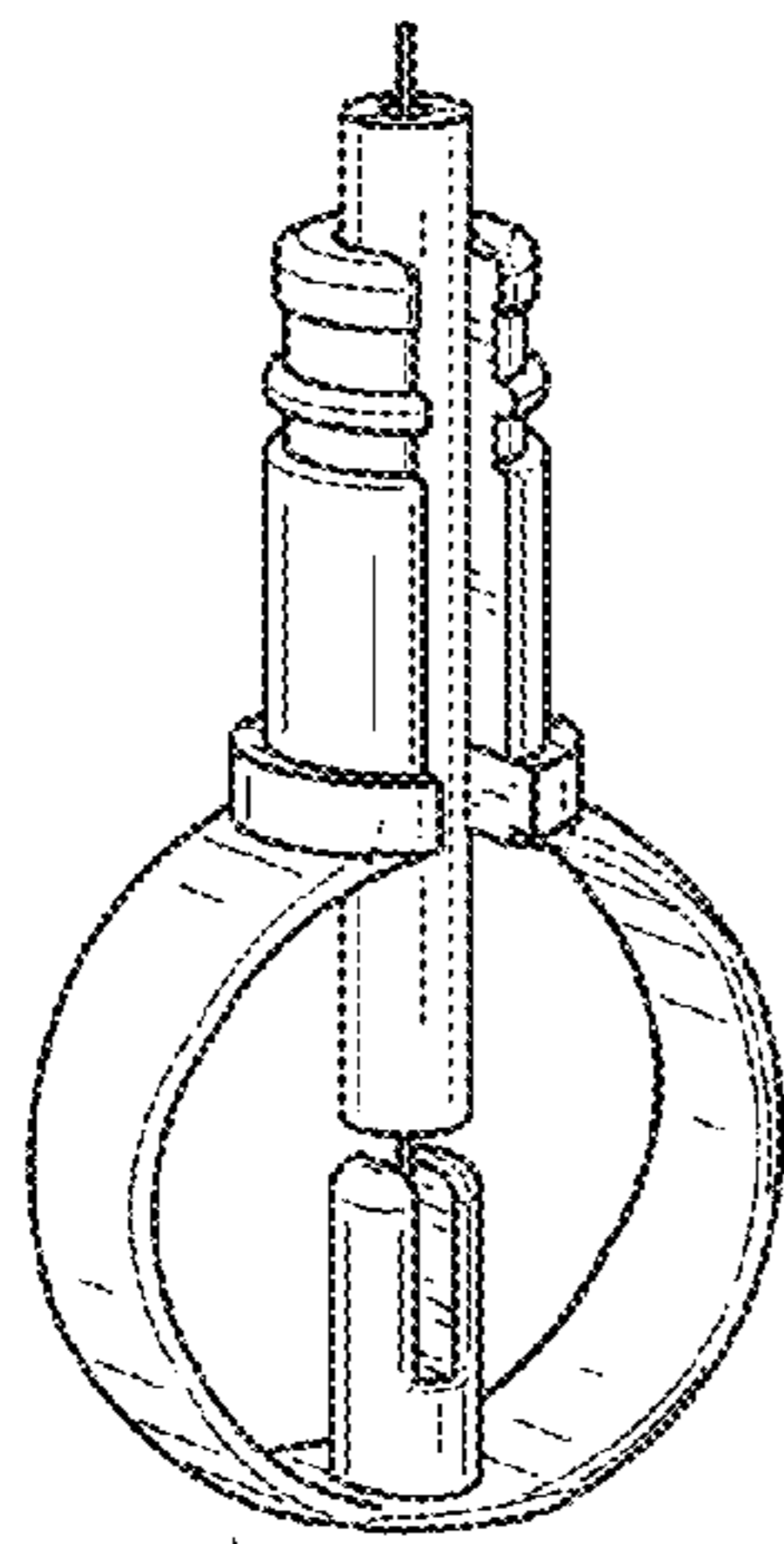


FIG. 1

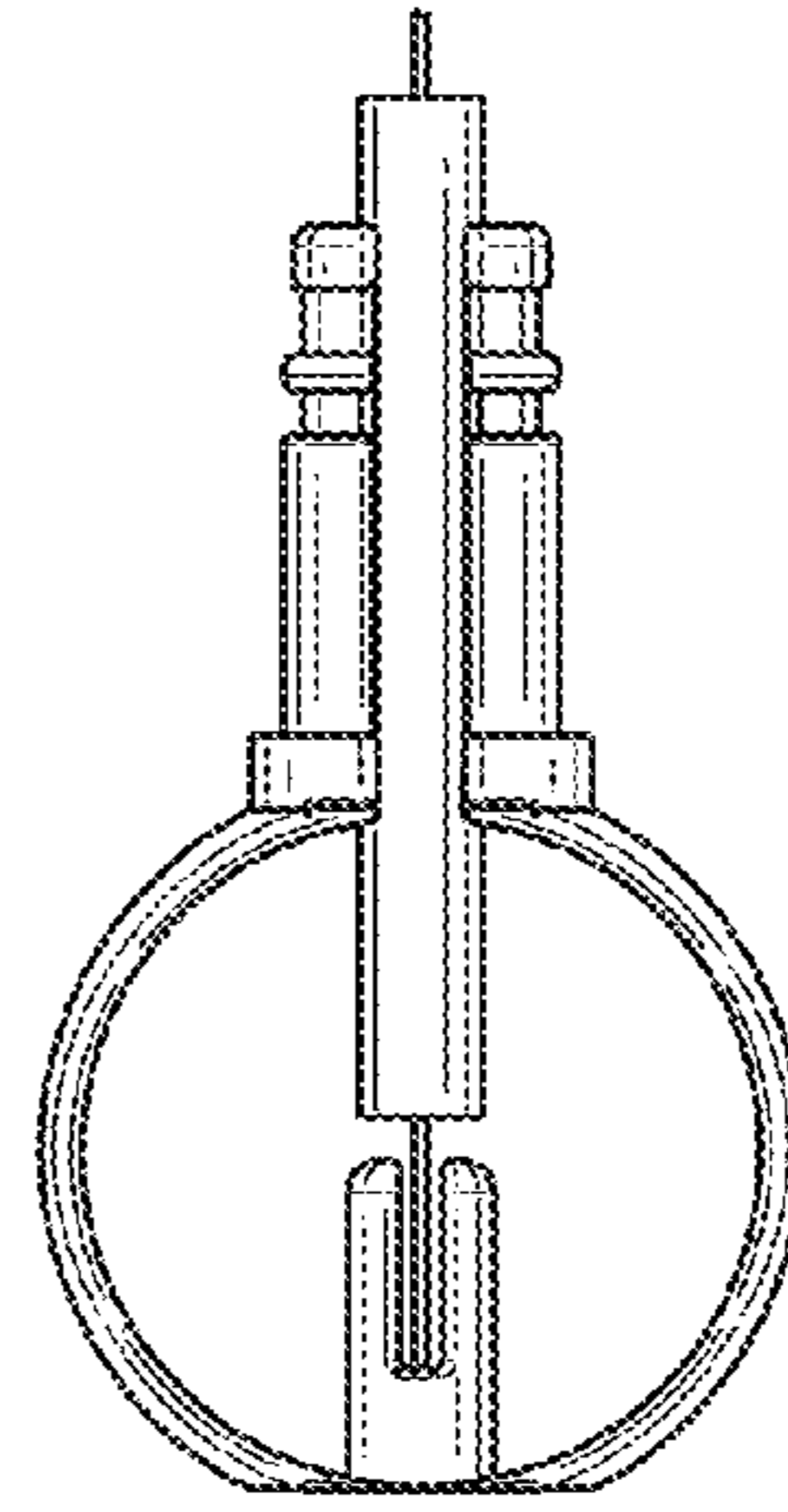


FIG. 2

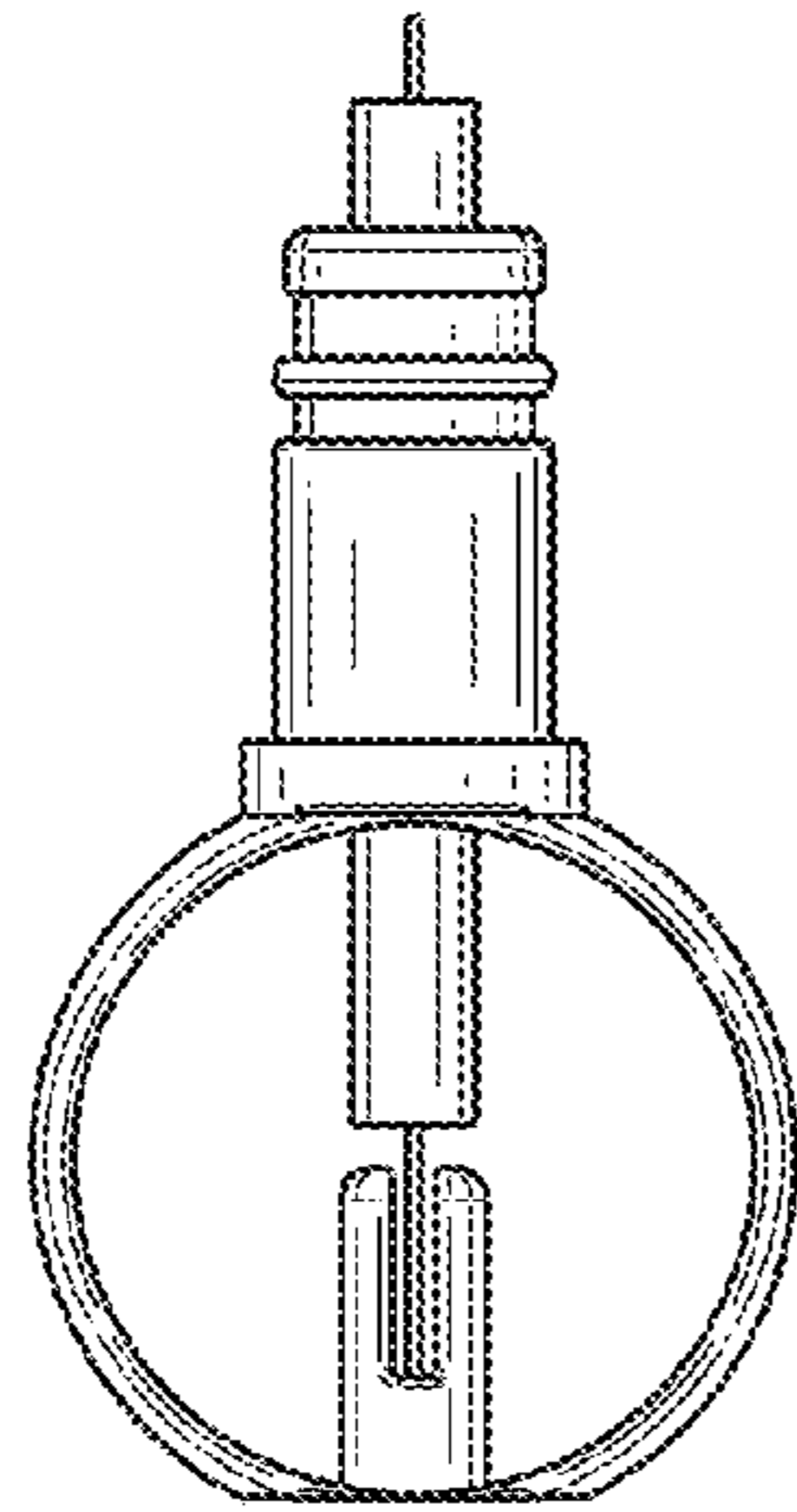


FIG. 3

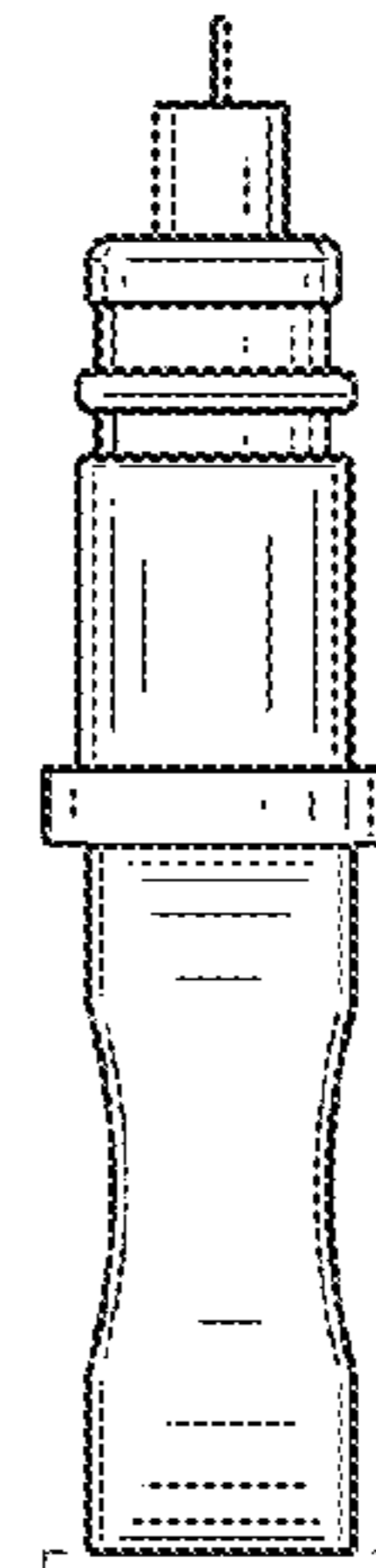


FIG. 4

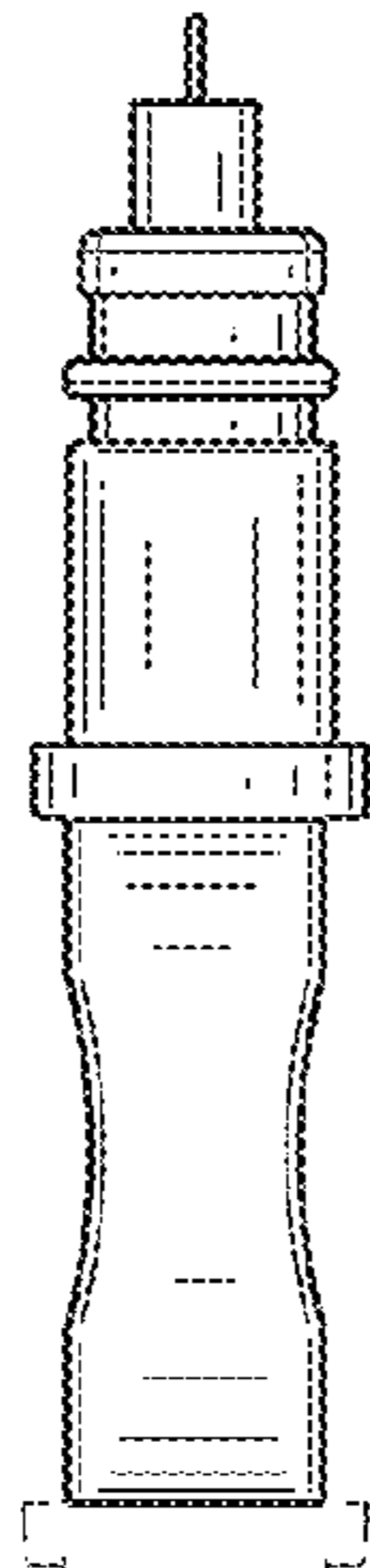


FIG. 5

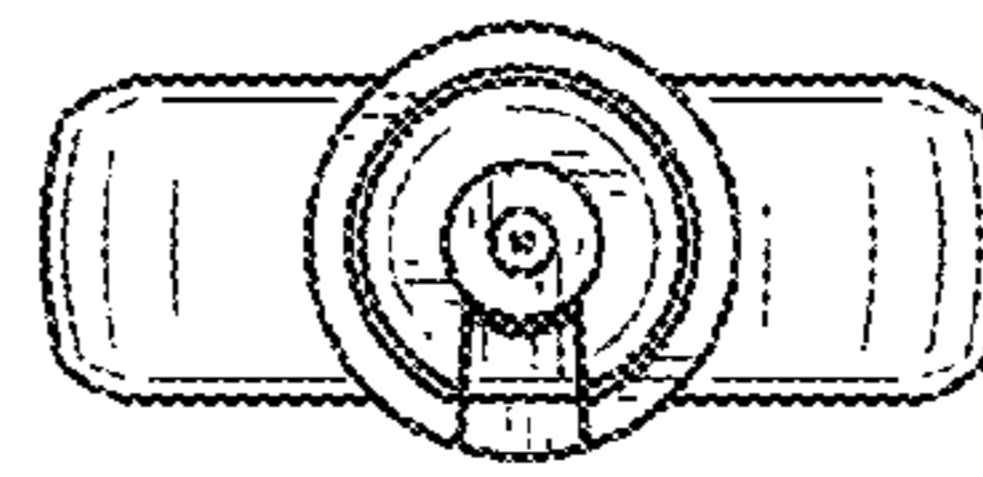


FIG. 6

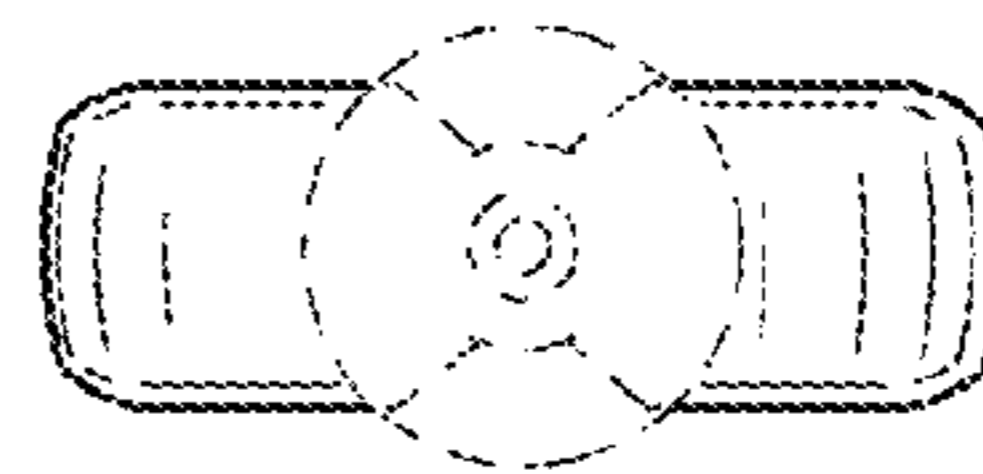


FIG. 7