



US00D775084S

(12) **United States Design Patent** (10) **Patent No.:** **US D775,084 S**
Sato et al. (45) **Date of Patent:** **** *Dec. 27, 2016**

(54) **CONNECTOR**

(71) Applicant: **IRISO ELECTRONICS CO., LTD.**,
Yokohama, Kanagawa (JP)

(72) Inventors: **Katsumasa Sato**, Kanagawa (JP);
Hiroaki Kobayashi, Kanagawa (JP);
Toshinori Nakayama, Kanagawa (JP)

(73) Assignee: **IRISO ELECTRONICS CO., LTD.**,
Kanagawa (JP)

(*) Notice: This patent is subject to a terminal disclaimer.

(**) Term: **15 Years**

(21) Appl. No.: **29/530,771**

(22) Filed: **Jun. 19, 2015**

(30) **Foreign Application Priority Data**

Dec. 19, 2014 (JP) 2014-028529

(51) **LOC (10) Cl.** **13-03**

(52) **U.S. Cl.**
USPC **D13/147**

(58) **Field of Classification Search**
USPC D13/133, 147, 154, 184, 199
CPC H01R 12/00; H01R 13/00; H01R 24/00;
H01R 43/00

See application file for complete search history.

(56) **References Cited**

U.S. PATENT DOCUMENTS

| | | | |
|--------------|--------|----------------|---------|
| D429,219 S * | 8/2000 | Chiou | D13/147 |
| D456,011 S * | 4/2002 | Shi | D13/147 |
| D505,920 S * | 6/2005 | Moritake | D13/147 |
| D543,944 S * | 6/2007 | Yamada | D13/147 |
| D584,693 S * | 1/2009 | Hatano | D13/147 |
| D597,951 S * | 8/2009 | Hatano | D13/147 |

* cited by examiner

Primary Examiner — Daniel Bui

(74) *Attorney, Agent, or Firm* — Buchanan Ingersoll & Rooney PC

(57) **CLAIM**

The ornamental design for a connector, as shown and described.

DESCRIPTION

FIG. 1 is a front elevational view of a connector showing our new design; a rear elevational view thereof being a same image;

FIG. 2 is a right side elevational view thereof; a left side elevational view thereof being a mirror image;

FIG. 3 is a top plan view thereof;

FIG. 4 is a bottom plan view thereof; and

FIG. 5 is a perspective view thereof.

FIG. 6 is an enlarged cross-sectional view thereof taken along the line 6-6 in FIG. 1; and,

FIG. 7 is an enlarged cross-sectional view thereof taken along the line 7-7 in FIG. 3.

1 Claim, 7 Drawing Sheets

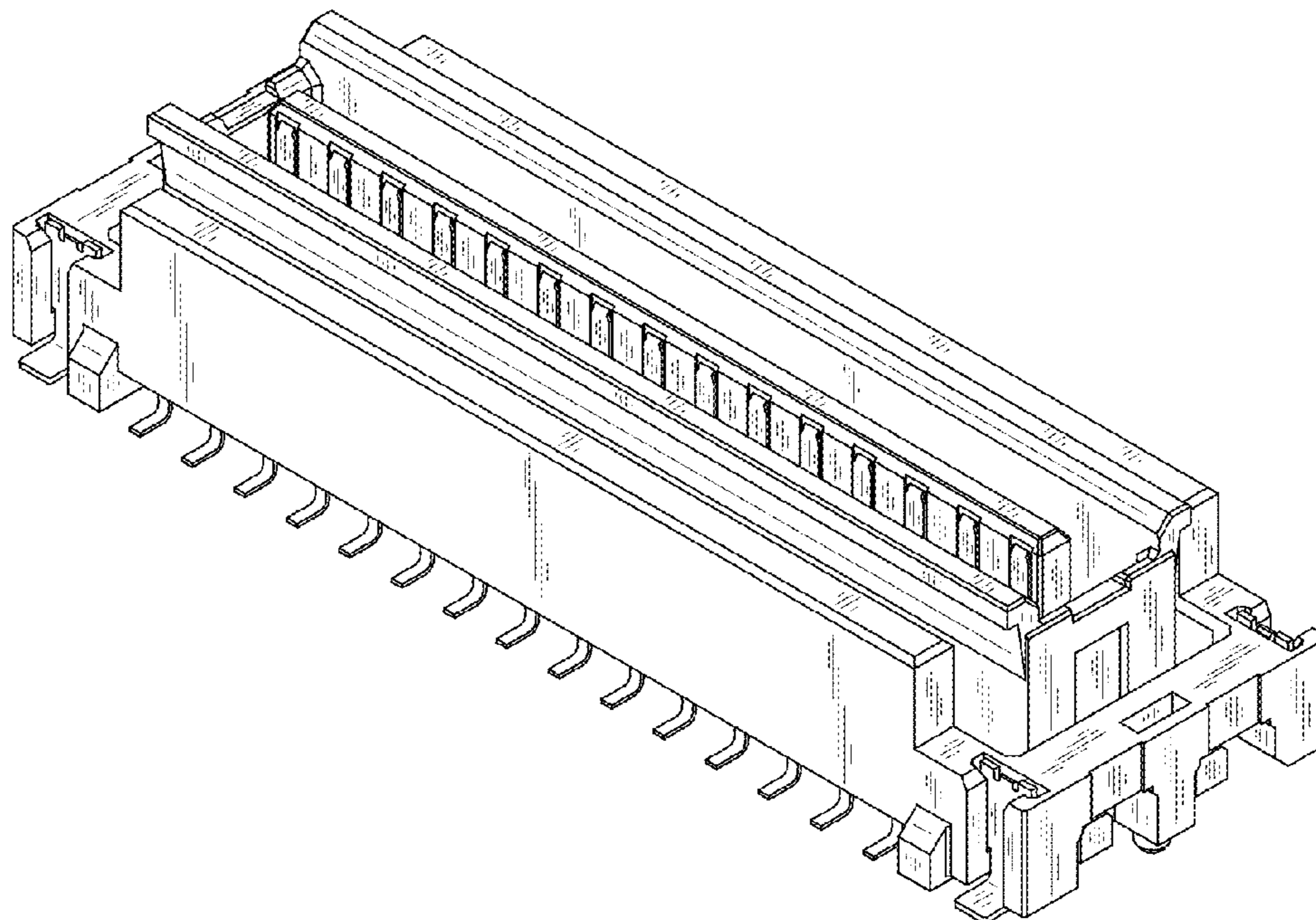


Fig. 1

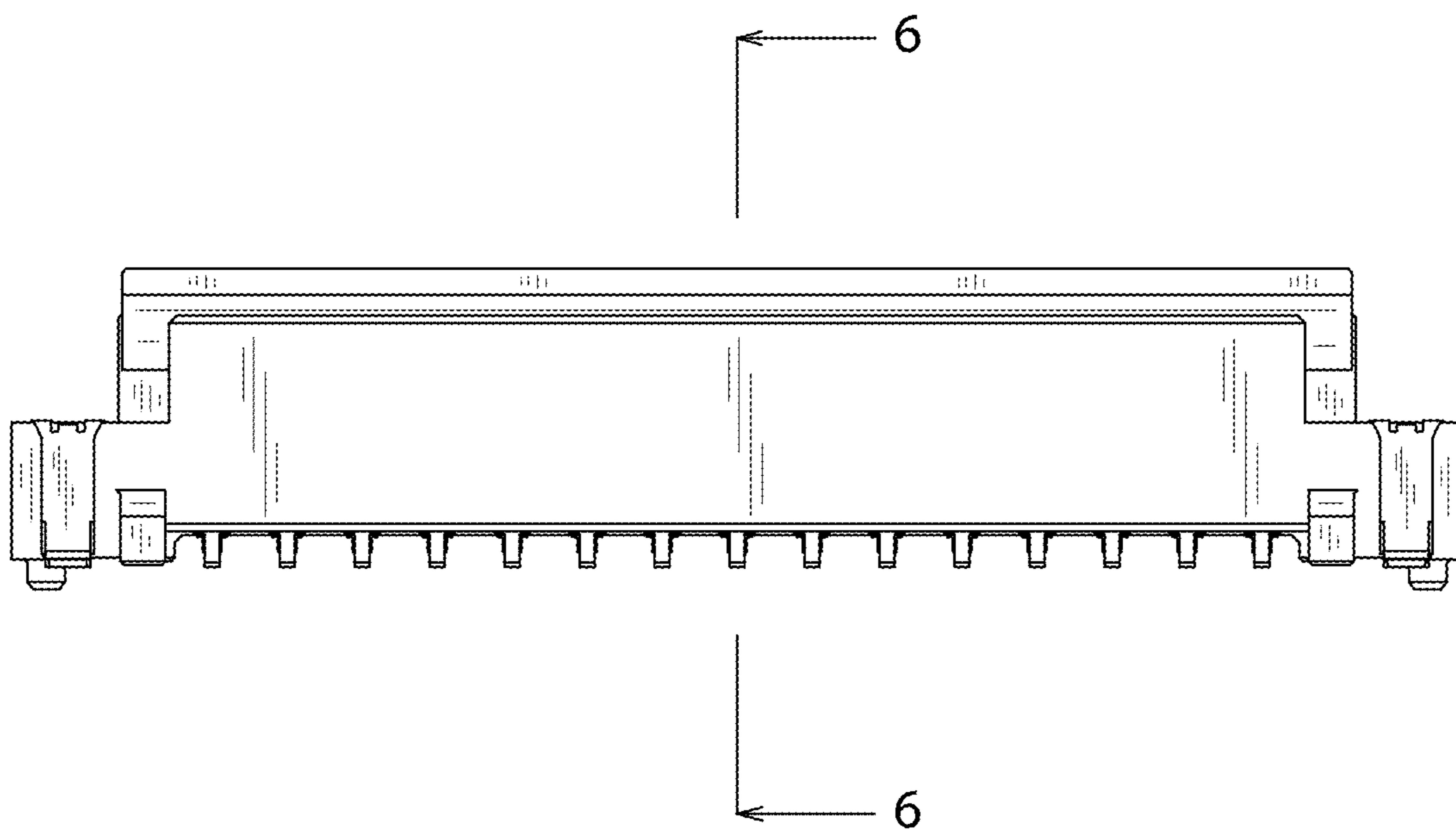


Fig. 2

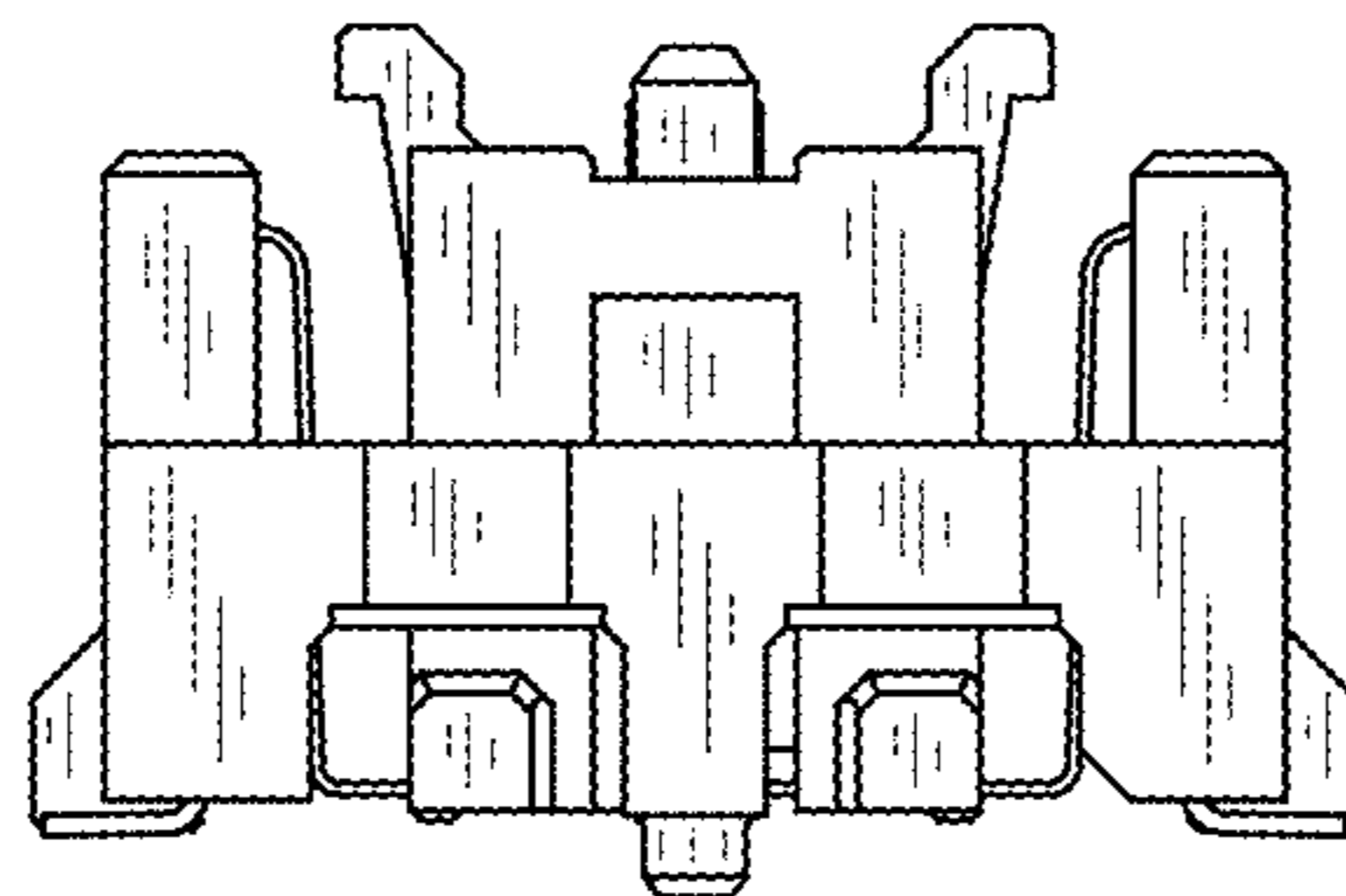


Fig. 3

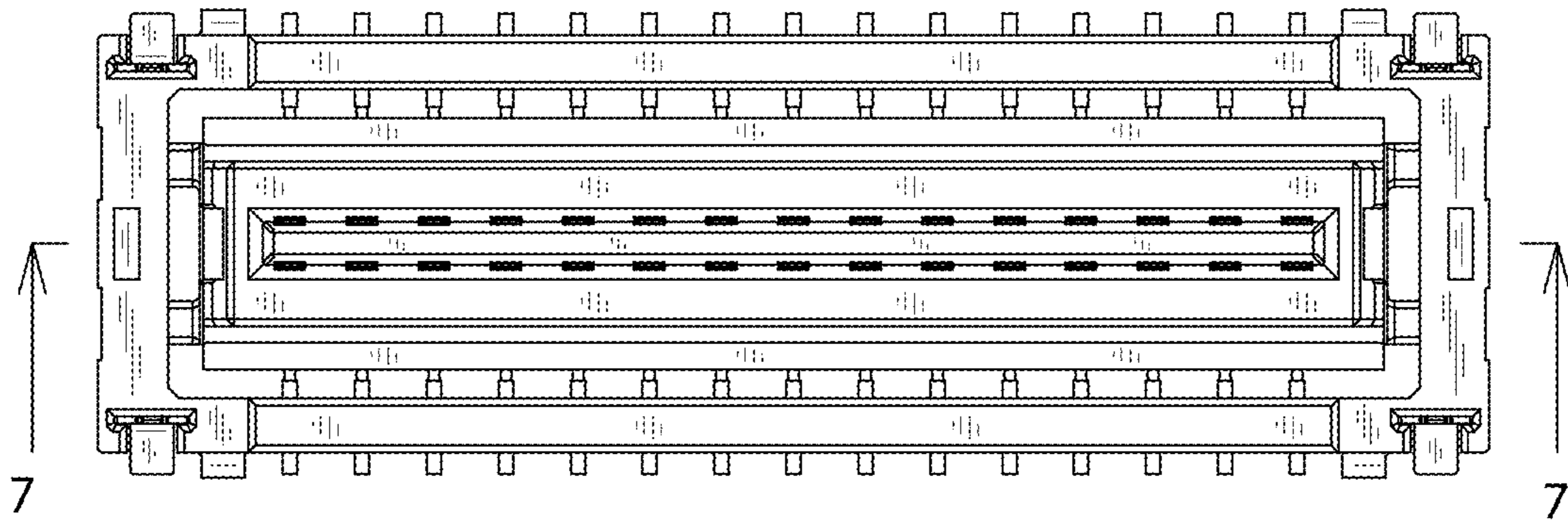


Fig. 4

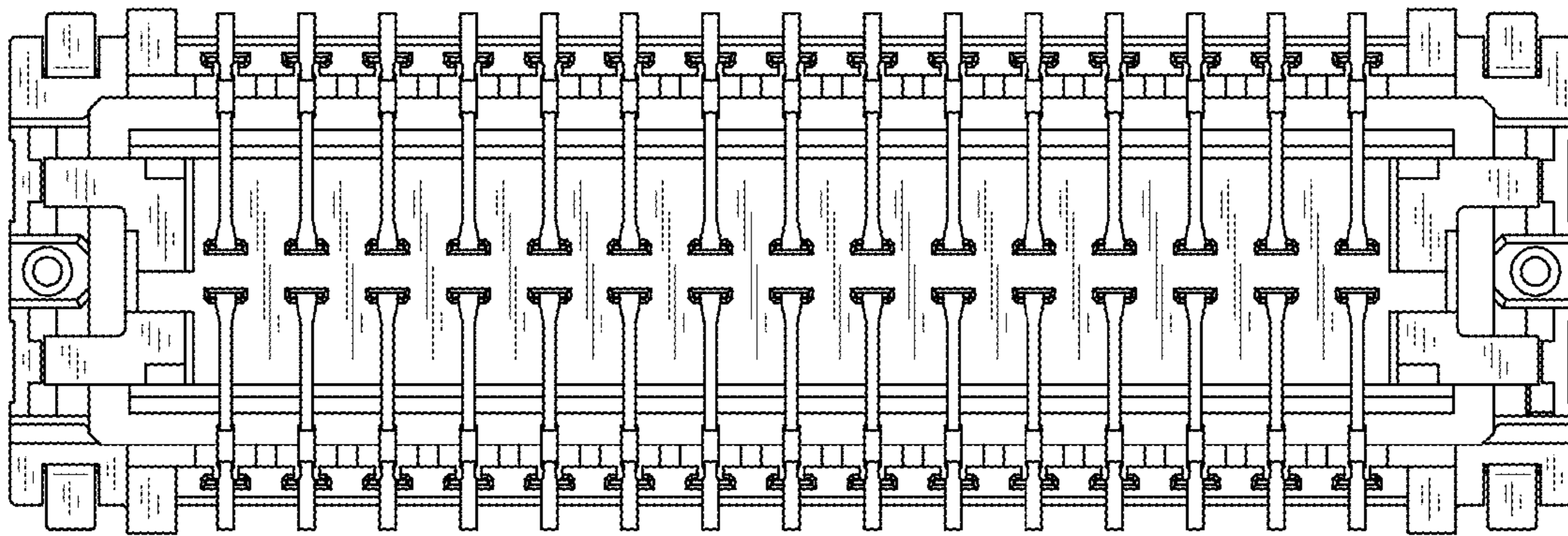


Fig. 5

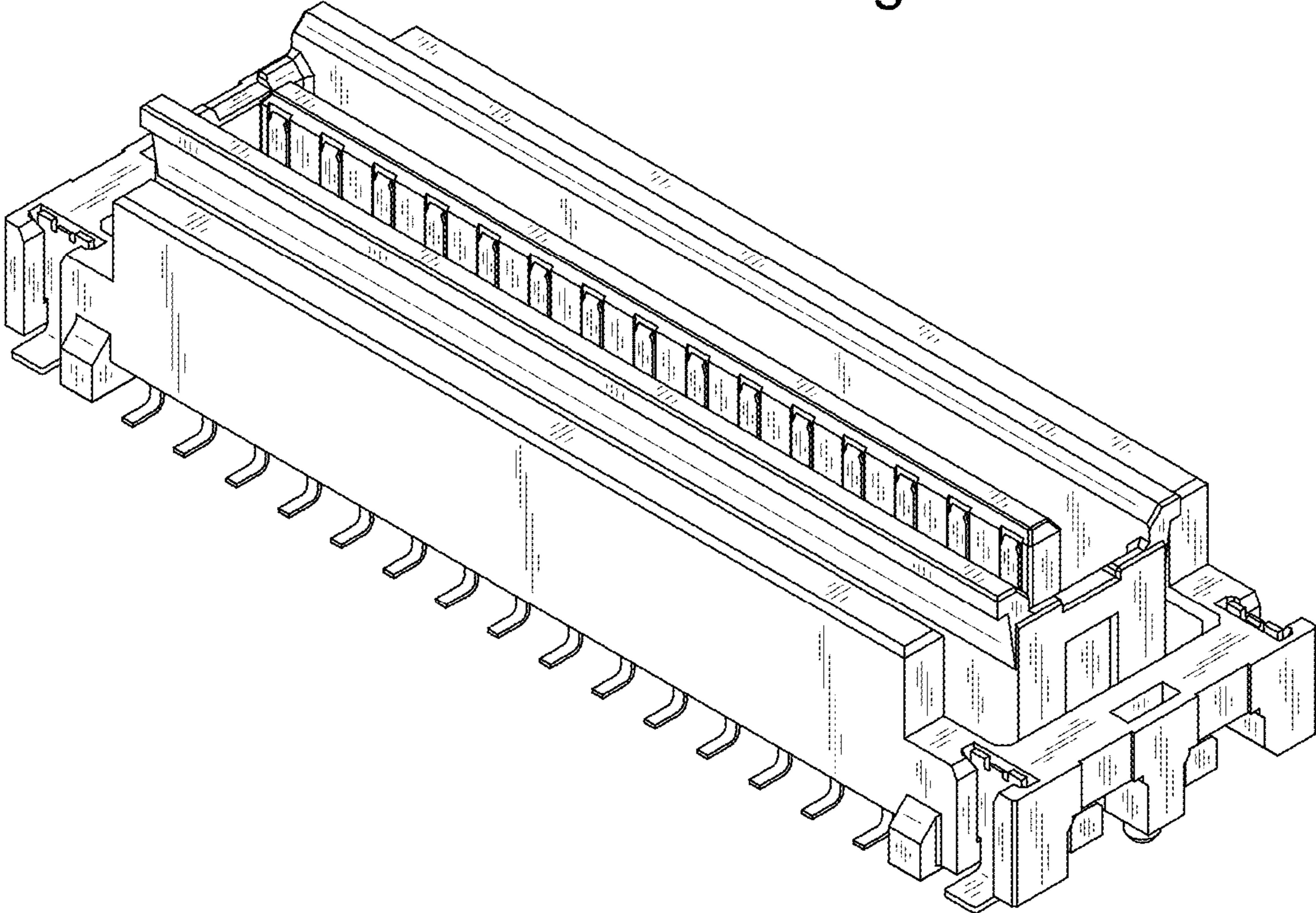


Fig. 6

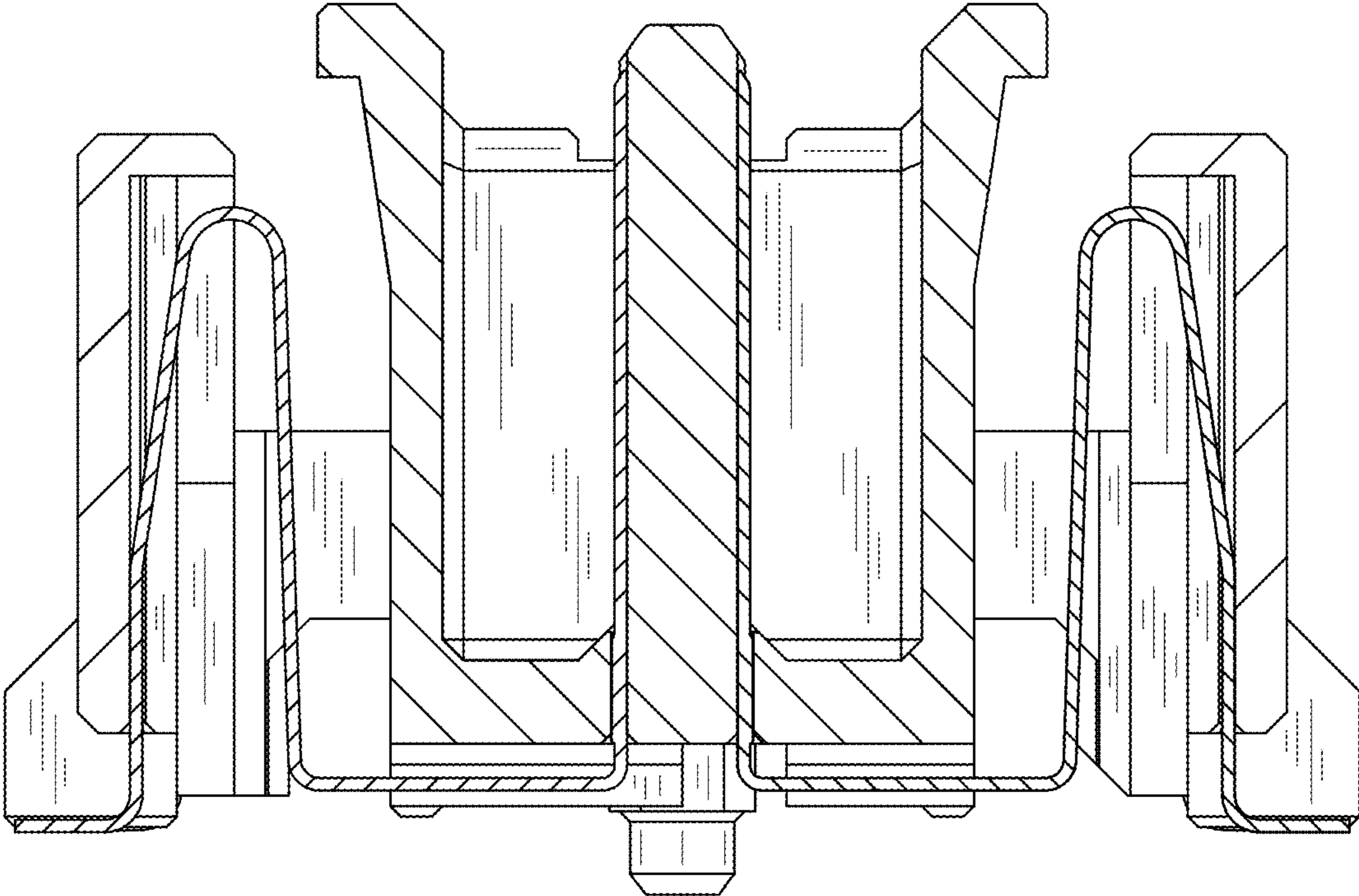


Fig. 7

