



US00D775083S

(12) **United States Design Patent**  
**Tada et al.**

(10) **Patent No.:** **US D775,083 S**

(45) **Date of Patent:** **\*\* Dec. 27, 2016**

(54) **ELECTRICAL CONNECTOR**

(71) Applicant: **Japan Aviation Electronics Industry, Limited**, Tokyo (JP)

(72) Inventors: **Takashi Tada**, Tokyo (JP); **Katsumi Arai**, Tokyo (JP)

(73) Assignee: **JAPAN AVIATION ELECTRONICS INDUSTRY, LIMITED**, Tokyo (JP)

(\*\*) Term: **14 Years**

(21) Appl. No.: **29/523,138**

(22) Filed: **Apr. 7, 2015**

(30) **Foreign Application Priority Data**

Oct. 21, 2014 (JP) ..... 2014-023506

(51) **LOC (10) Cl.** ..... **13-03**

(52) **U.S. Cl.**  
USPC ..... **D13/147**

(58) **Field of Classification Search**  
USPC ..... D13/133, 146, 147, 154, 184, 199;  
D14/432, 433, 435.1  
CPC ..... H01R 24/60; H01R 24/70; H01R 13/5205;  
H01R 13/5219; H01R 13/642; H01R  
13/6471; H01R 13/6581; H01R 13/6582;  
H01R 13/6285; H01R 13/6591; H01R  
13/6596

See application file for complete search history.

(56) **References Cited**

**U.S. PATENT DOCUMENTS**

D737,211 S \* 8/2015 Little ..... D13/147  
D744,428 S \* 12/2015 Rodriguez ..... D13/147  
2015/0270646 A1 \* 9/2015 Kao ..... H01R 13/6581  
439/76.1

2015/0340815 A1 \* 11/2015 Gao ..... H01R 13/6581  
439/607.01  
2016/0036169 A1 \* 2/2016 Hu ..... H01R 13/6585  
439/607.05  
2016/0104972 A1 \* 4/2016 Feng ..... H01R 13/6581  
439/607.27  
2016/0134058 A1 \* 5/2016 Deng ..... H01R 13/6581  
439/607.01

\* cited by examiner

*Primary Examiner* — Daniel Bui

(74) *Attorney, Agent, or Firm* — Manabu Kanesaka

(57) **CLAIM**

The ornamental design for an electrical connector, as shown and described.

**DESCRIPTION**

FIG. 1 is a front elevational view of an electrical connector showing our new design;

FIG. 2 is a rear elevational view thereof;

FIG. 3 is a right side elevational view thereof;

FIG. 4 is a left side elevational view thereof;

FIG. 5 is a top plan view thereof;

FIG. 6 is a bottom plan view thereof;

FIG. 7 is a perspective view showing a front, top and right side thereof;

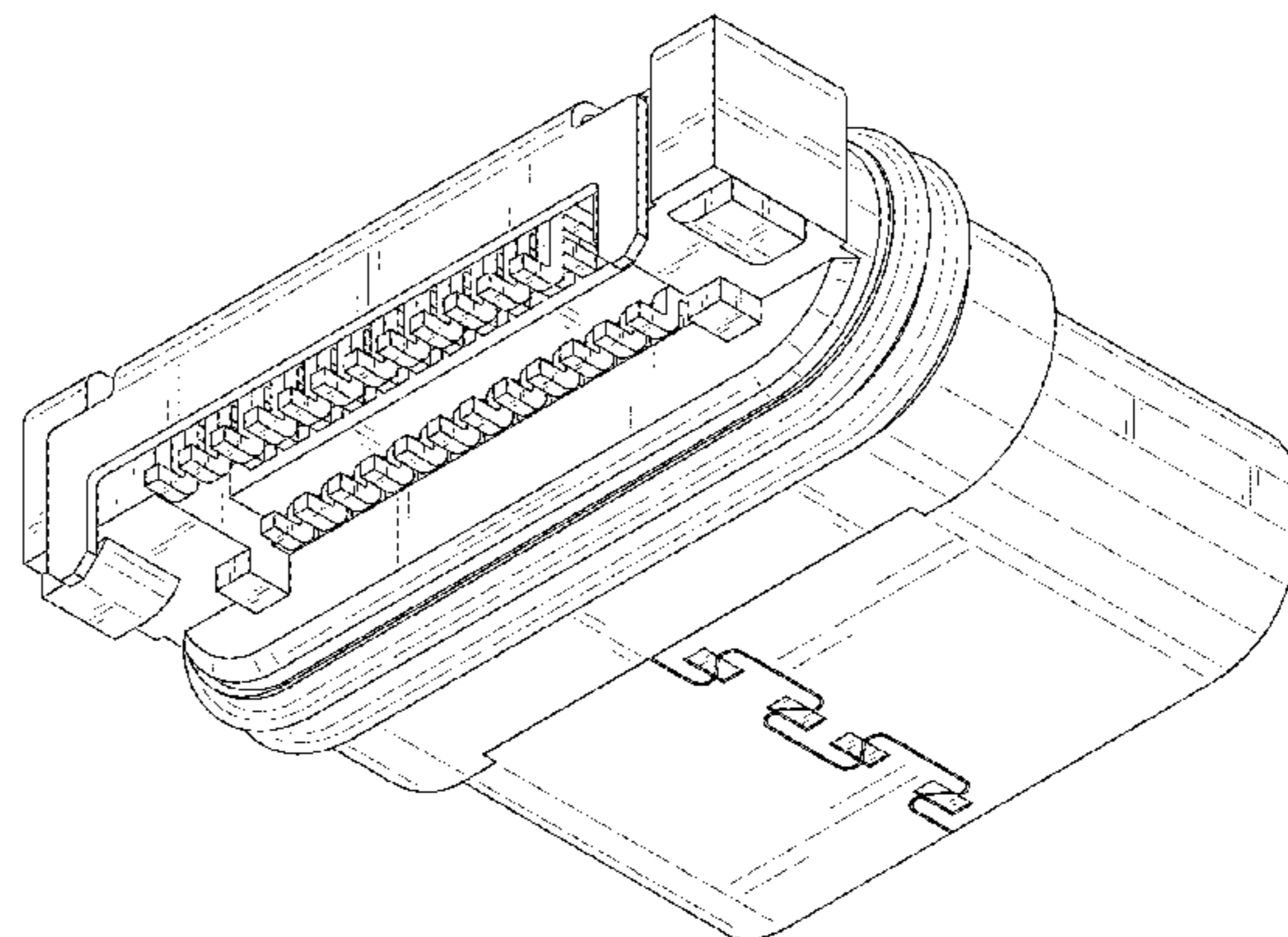
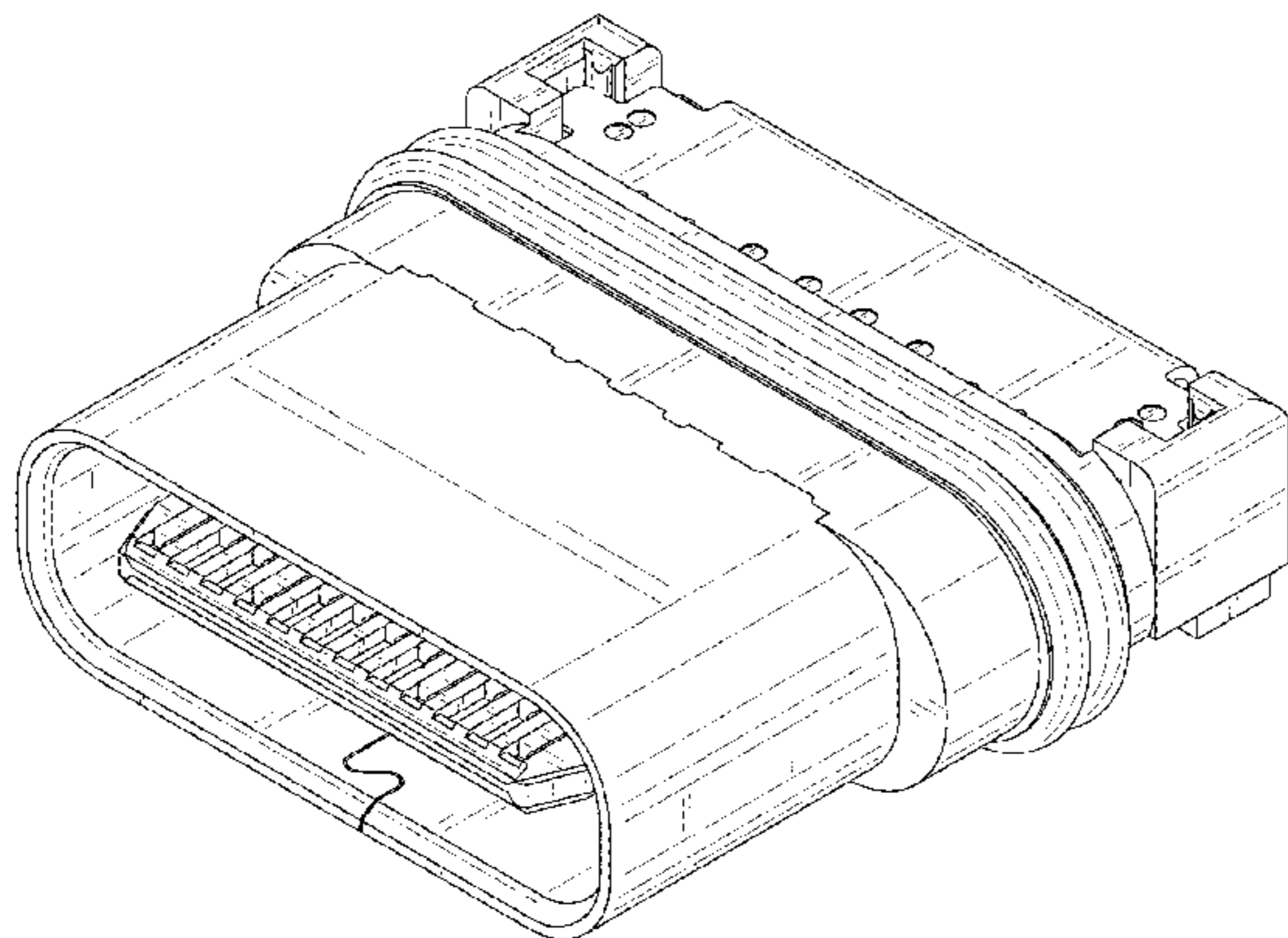
FIG. 8 is a perspective view showing a rear, bottom and left side thereof;

FIG. 9 is a perspective view showing a front, right side and bottom thereof; and,

FIG. 10 is a perspective view showing a rear, left side and top thereof.

The broken lines are shown for environmental purposes only and depict portions of the electrical connector that form no part of claimed design.

**1 Claim, 5 Drawing Sheets**



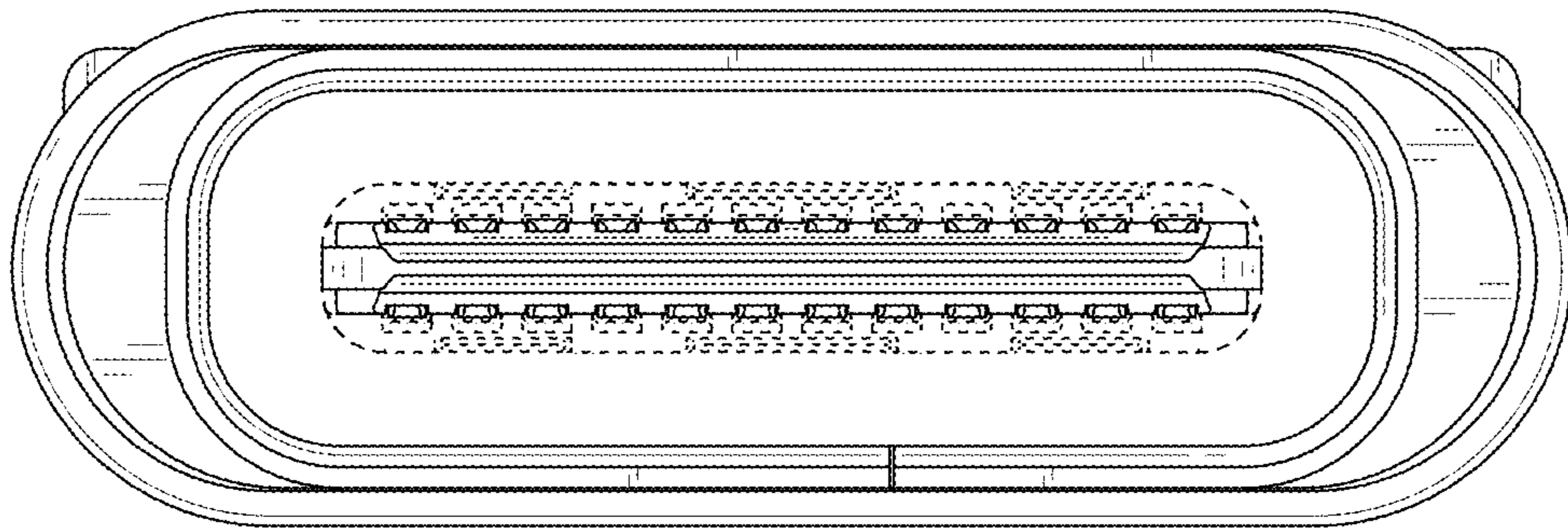


FIG. 1

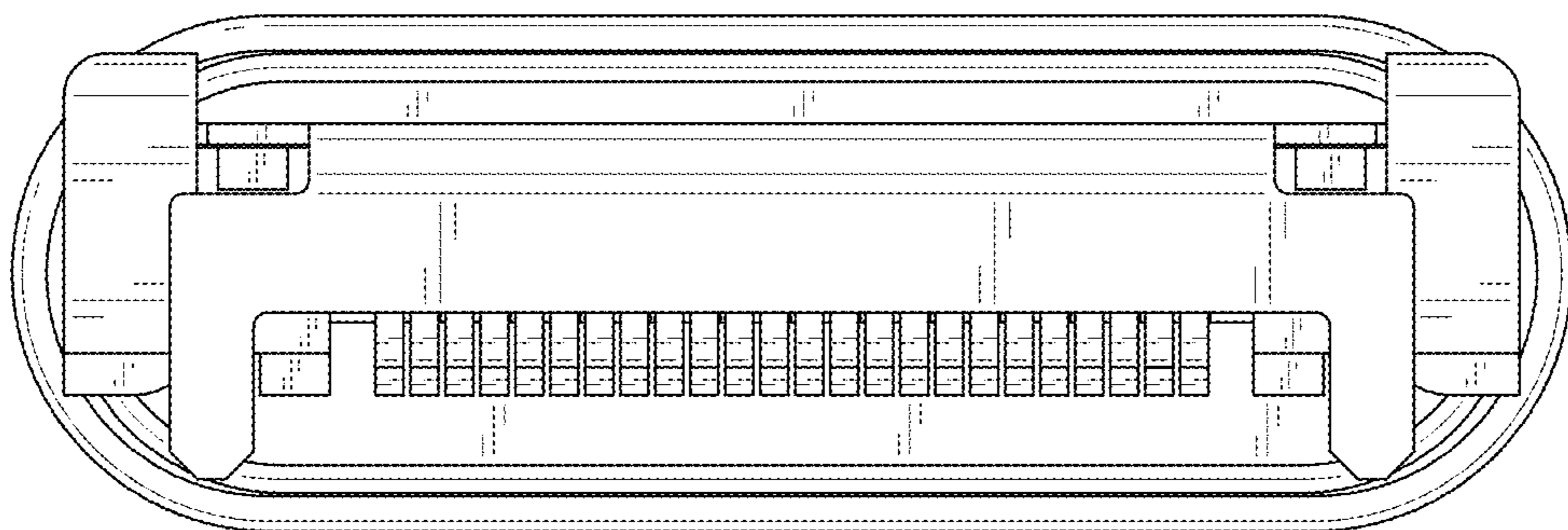


FIG. 2

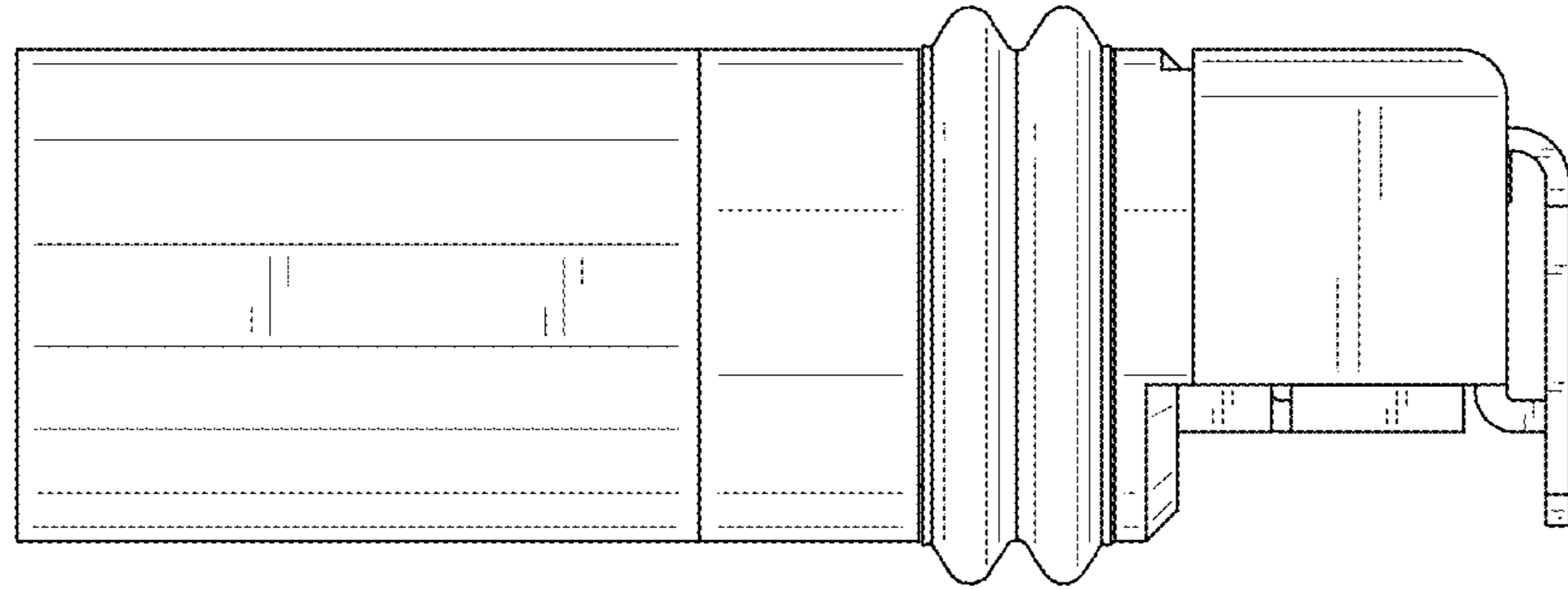


FIG. 3

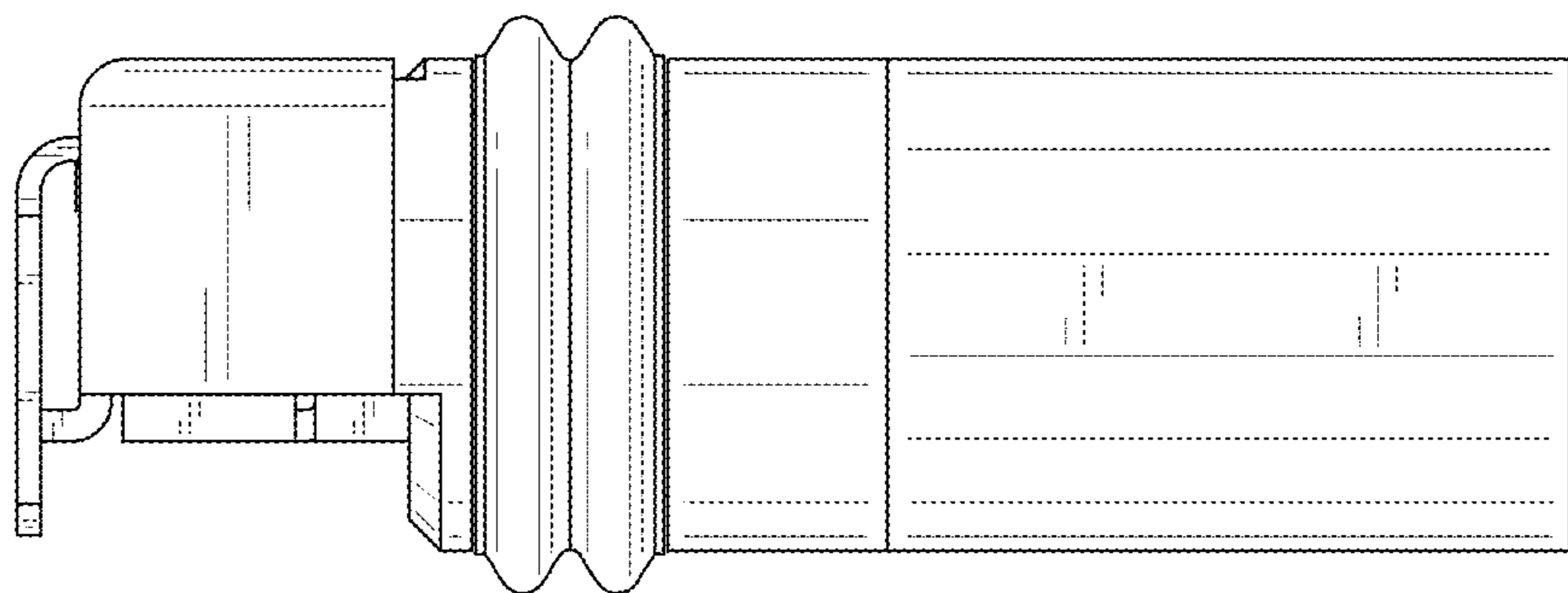


FIG. 4

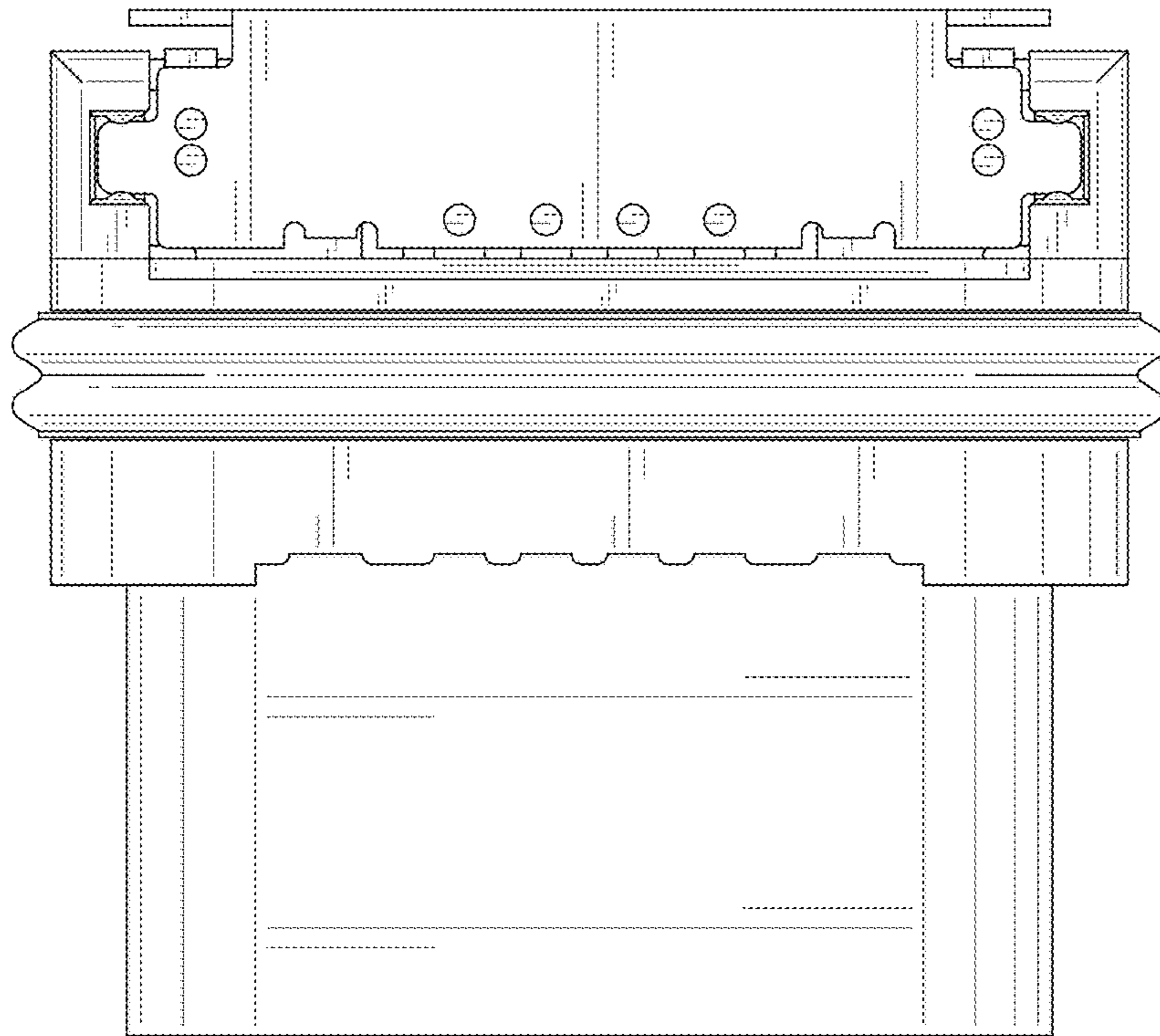


FIG. 5

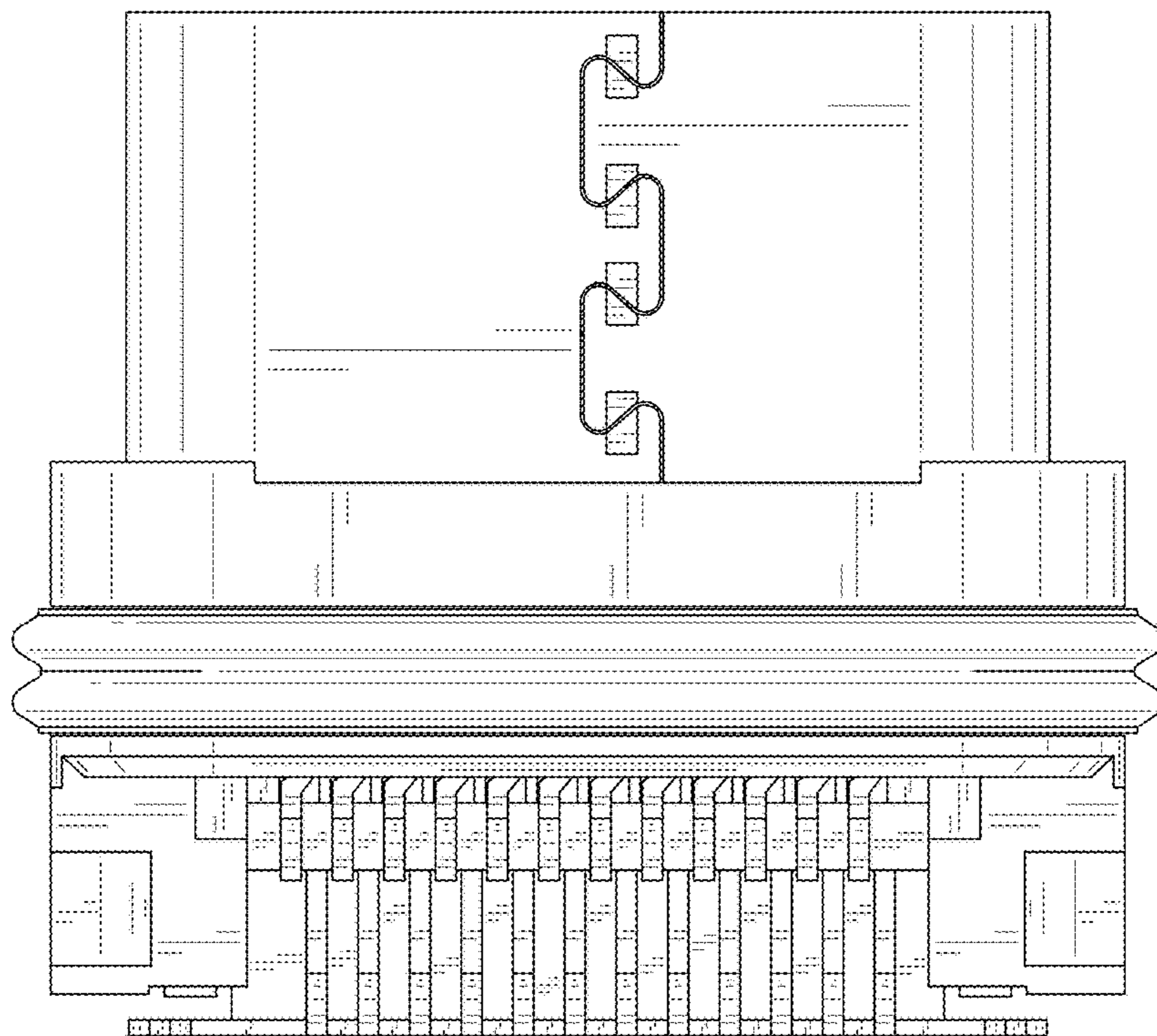


FIG. 6



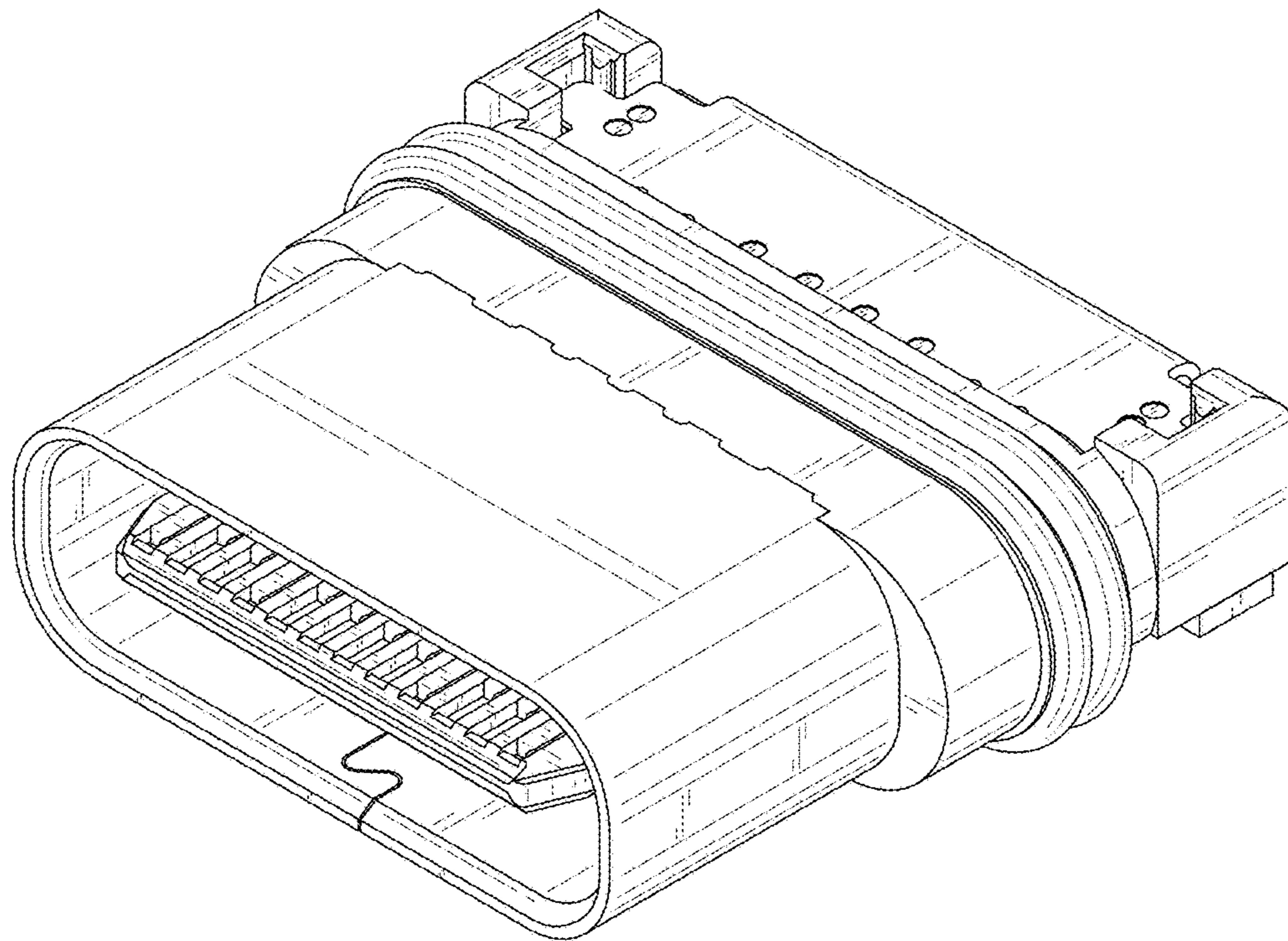


FIG. 7

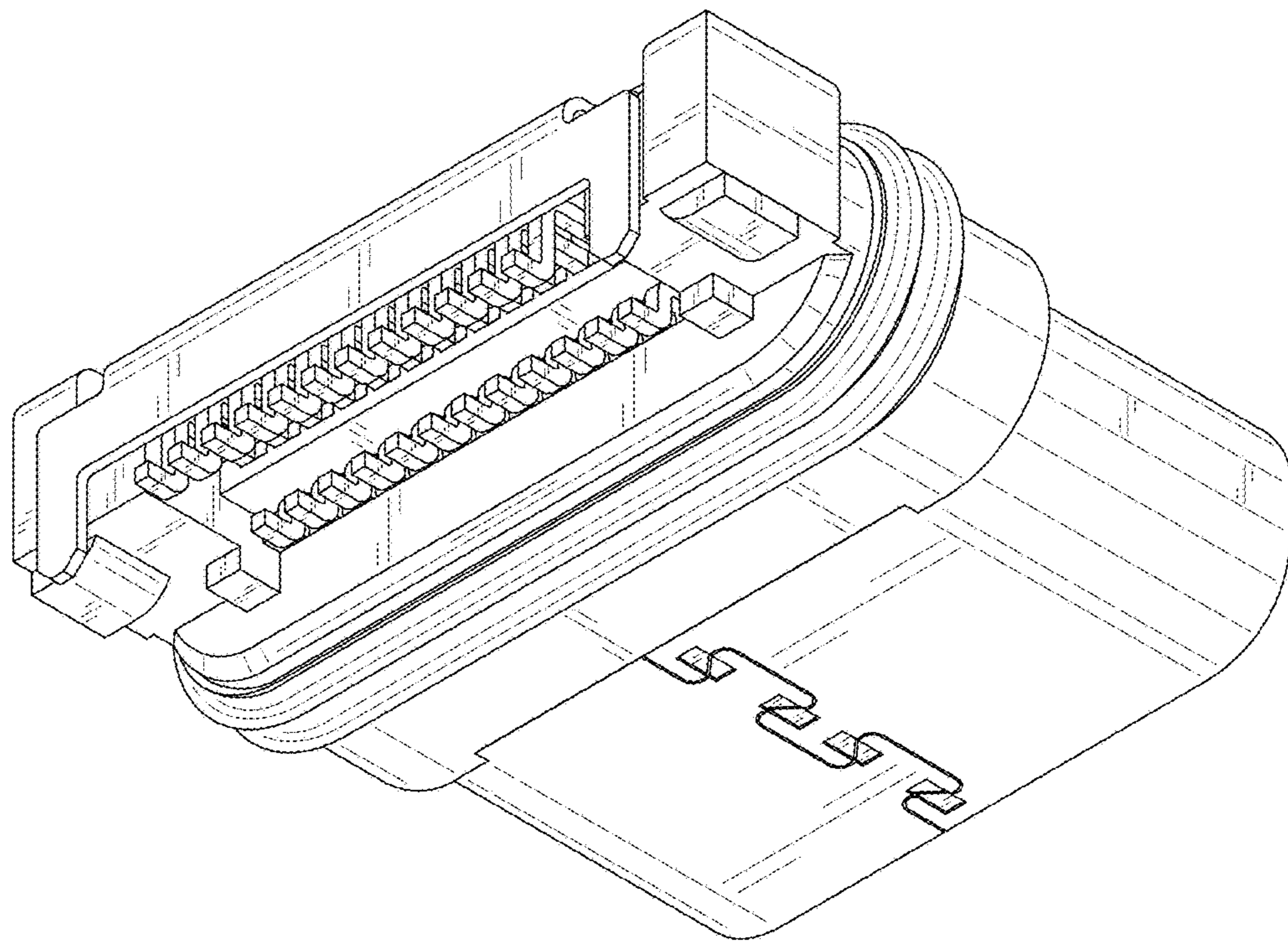


FIG. 8

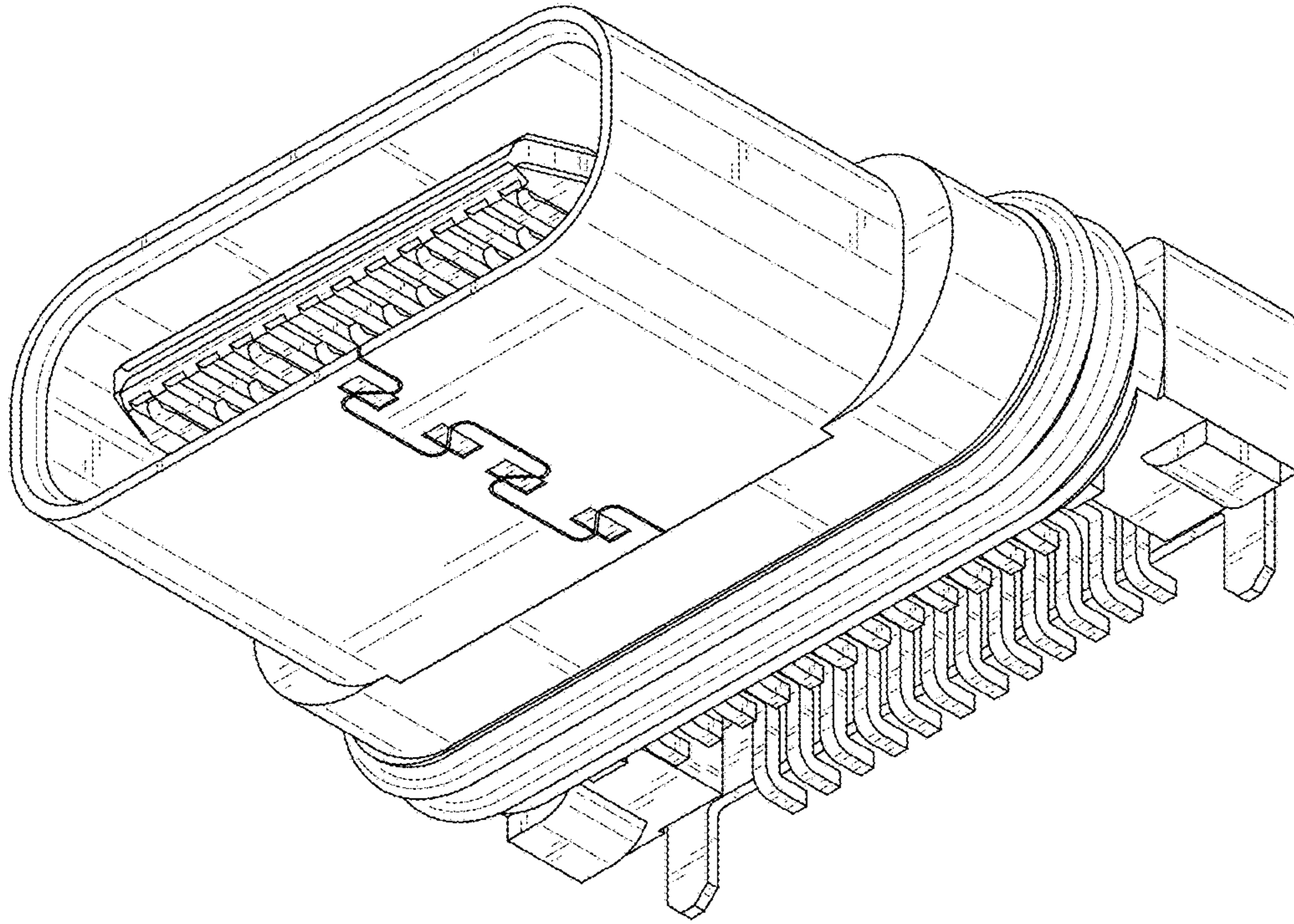


FIG. 9

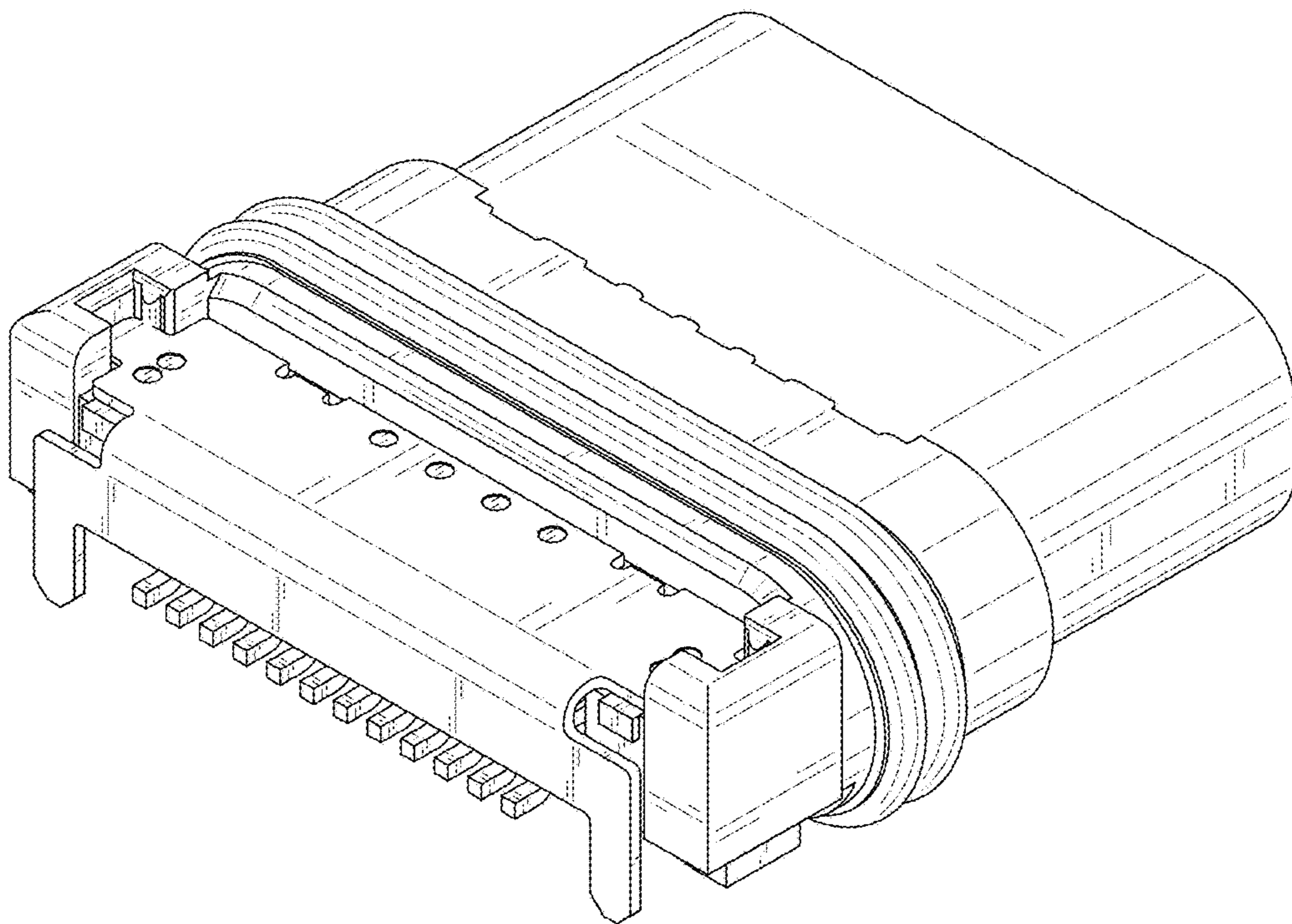


FIG. 10