



US00D775082S

(12) **United States Design Patent** (10) **Patent No.:** **US D775,082 S**
Kai et al. (45) **Date of Patent:** **** Dec. 27, 2016**

(54) **OPTICAL MODULE**

(71) Applicant: **Japan Aviation Electronics Industry, Limited**, Tokyo (JP)
(72) Inventors: **Satoshi Kai**, Tokyo (JP); **Shuichi Aihara**, Tokyo (JP); **Keiichi Mori**, Tokyo (JP); **Takayoshi Yamauchi**, Tokyo (JP); **Osamu Hashiguchi**, Tokyo (JP); **Eiichi Asami**, Tokyo (JP); **Yoshihiko Hamada**, Tokyo (JP); **Masuo Nishimoto**, Tokyo (JP); **Hideo Sugimoto**, Tokyo (JP); **Akira Watanabe**, Tokyo (JP)

(73) Assignee: **JAPAN AVIATION ELECTRONICS INDUSTRY, LIMITED**, Tokyo (JP)

(**) Term: **14 Years**

(21) Appl. No.: **29/507,165**

(22) Filed: **Oct. 24, 2014**

(30) **Foreign Application Priority Data**

May 8, 2014 (JP) 2014-009838

(51) **LOC (10) Cl.** **13-03**

(52) **U.S. Cl.**
USPC **D13/147**

(58) **Field of Classification Search**
USPC D16/130–136, 200, 225, 229; 359/368, 359/369, 377, 379, 385, 807, 137; 361/715; 250/216, 227.11, 201.5, 203.7, 250/234, 203.6, 206.3, 227.2; D13/118–121, 125, 133, 146, 147, 155
See application file for complete search history.

(56) **References Cited**

U.S. PATENT DOCUMENTS

2008/0298745 A1* 12/2008 Hamasaki G02B 6/4212
385/39
2012/0153340 A1* 6/2012 Song G02B 6/4201
257/99

2013/0133744 A1* 5/2013 Etienne G02B 6/0001
136/259
2013/0156385 A1* 6/2013 Ishigami G02B 6/4268
385/92
2013/0188905 A1* 7/2013 Hashiguchi G02B 6/423
385/14
2015/0277071 A1* 10/2015 Matsuoka G02B 6/428
398/200
2015/0323738 A1* 11/2015 Sekiguchi G02B 6/12004
385/14
2015/0334838 A1* 11/2015 Ogawa G02B 6/4279
361/760

(Continued)

Primary Examiner — Susan Bennett Hattan
Assistant Examiner — Jennifer Wright
(74) *Attorney, Agent, or Firm* — Manabu Kaneshaka

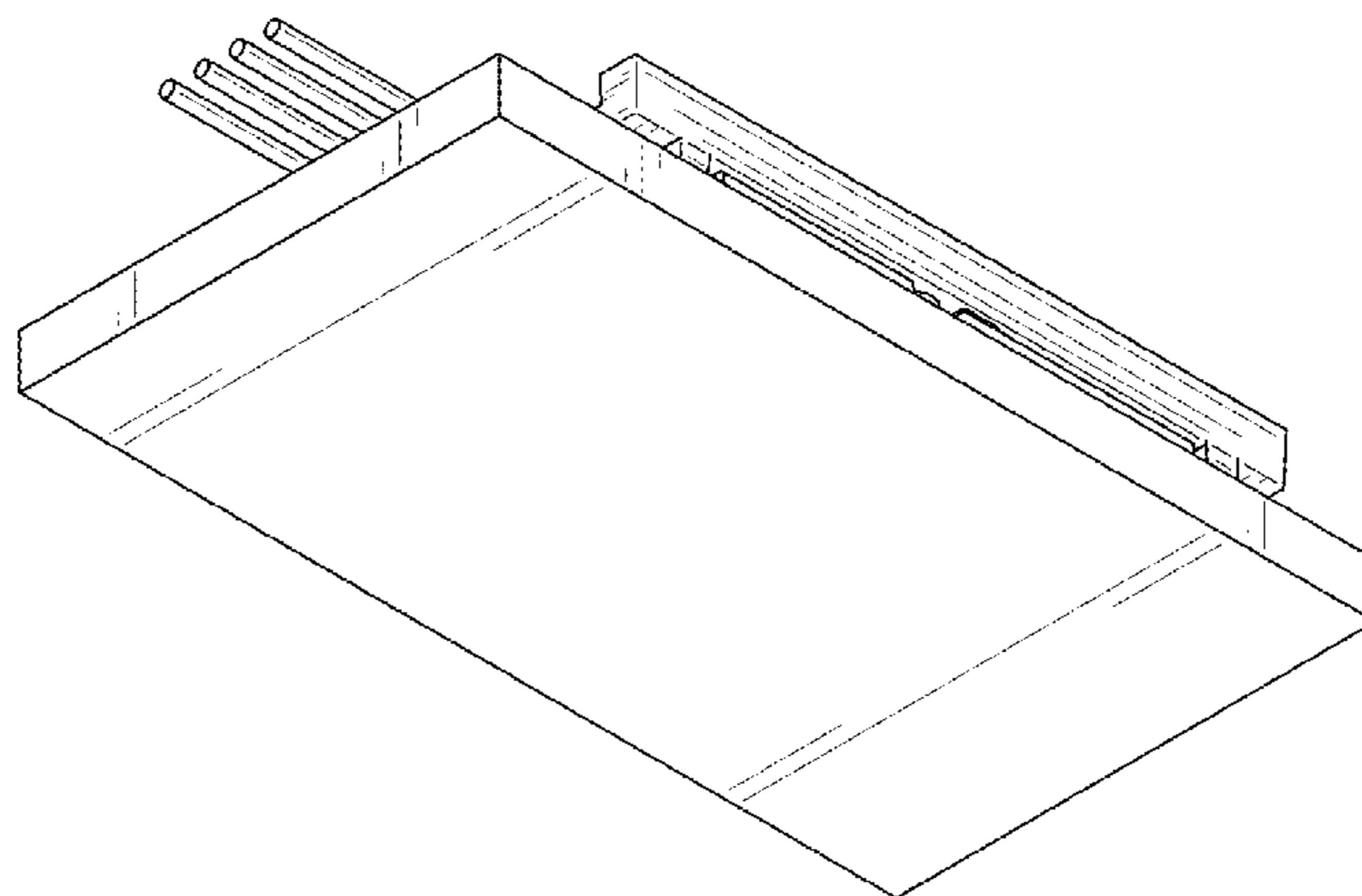
(57) **CLAIM**

The ornamental design for an optical module, as shown and described.

DESCRIPTION

FIG. 1 is a front view of an optical module showing our new design;
FIG. 2 is a rear view thereof;
FIG. 3 is a right side view thereof;
FIG. 4 is a left side view thereof;
FIG. 5 is a plan view thereof;
FIG. 6 is a bottom view thereof;
FIG. 7 is a perspective view showing a front, top, and right side thereof;
FIG. 8 is a perspective view showing a rear, bottom and left side thereof;
FIG. 9 is a perspective view showing a front, right side and bottom thereof; and,
FIG. 10 is a perspective view showing a rear, left side and top thereof.

1 Claim, 6 Drawing Sheets



(56)

References Cited

U.S. PATENT DOCUMENTS

2015/0341112 A1* 11/2015 Suzuki H04B 10/0799
398/25
2015/0370015 A1* 12/2015 Aoki G02B 6/4204
385/14
2016/0013616 A1* 1/2016 Yamauchi G02B 6/36
359/341.1
2016/0062044 A1* 3/2016 Hou G02B 6/3608
385/14
2016/0091686 A1* 3/2016 Erdman G02B 6/4453
385/135
2016/0109664 A1* 4/2016 Chang G02B 6/428
385/33
2016/0116695 A1* 4/2016 Nekado G02B 6/421
385/14
2016/0170146 A1* 6/2016 Kurokawa G02B 6/2938
385/14
2016/0191166 A1* 6/2016 Wang H04B 10/40
398/135
2016/0216463 A1* 7/2016 Lee G02B 6/32
2016/0216466 A1* 7/2016 Tang G02B 6/43
2016/0216539 A1* 7/2016 Sugiyama G02F 1/0316
2016/0238794 A1* 8/2016 Tang G02B 6/32
2016/0246156 A1* 8/2016 Sugiyama H05K 1/115

* cited by examiner

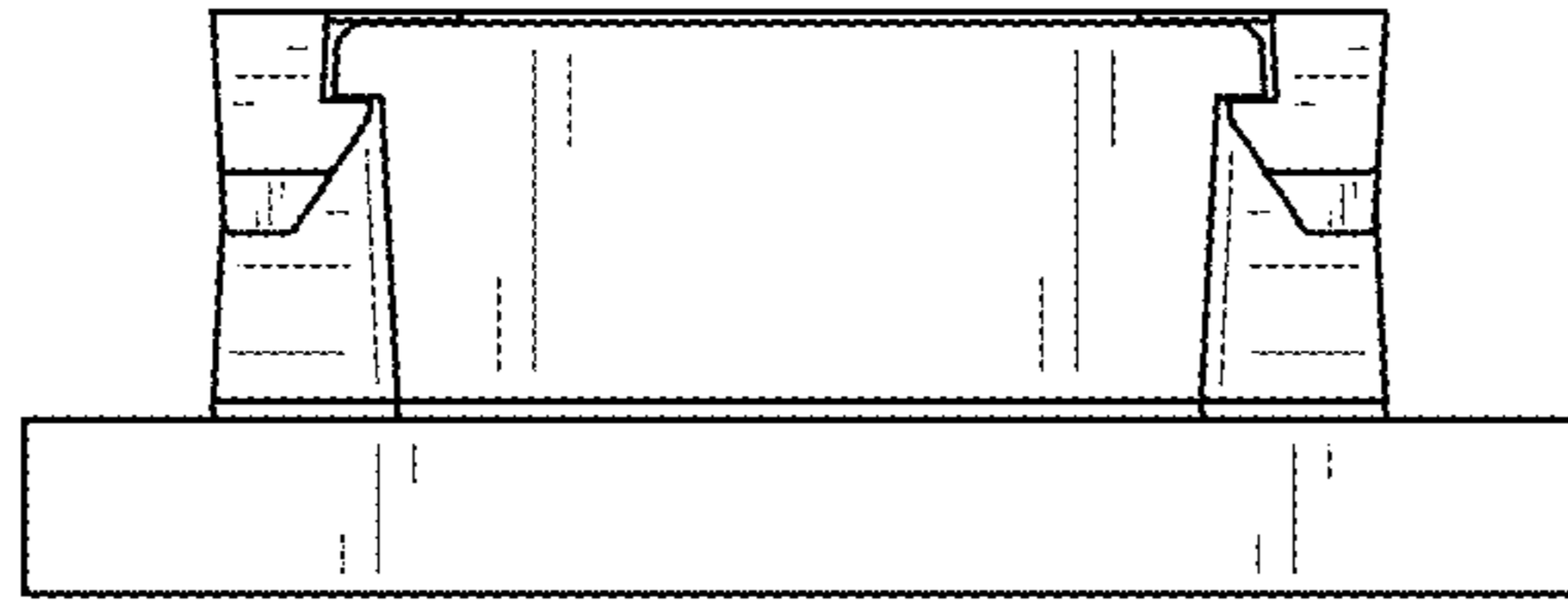


FIG. 1

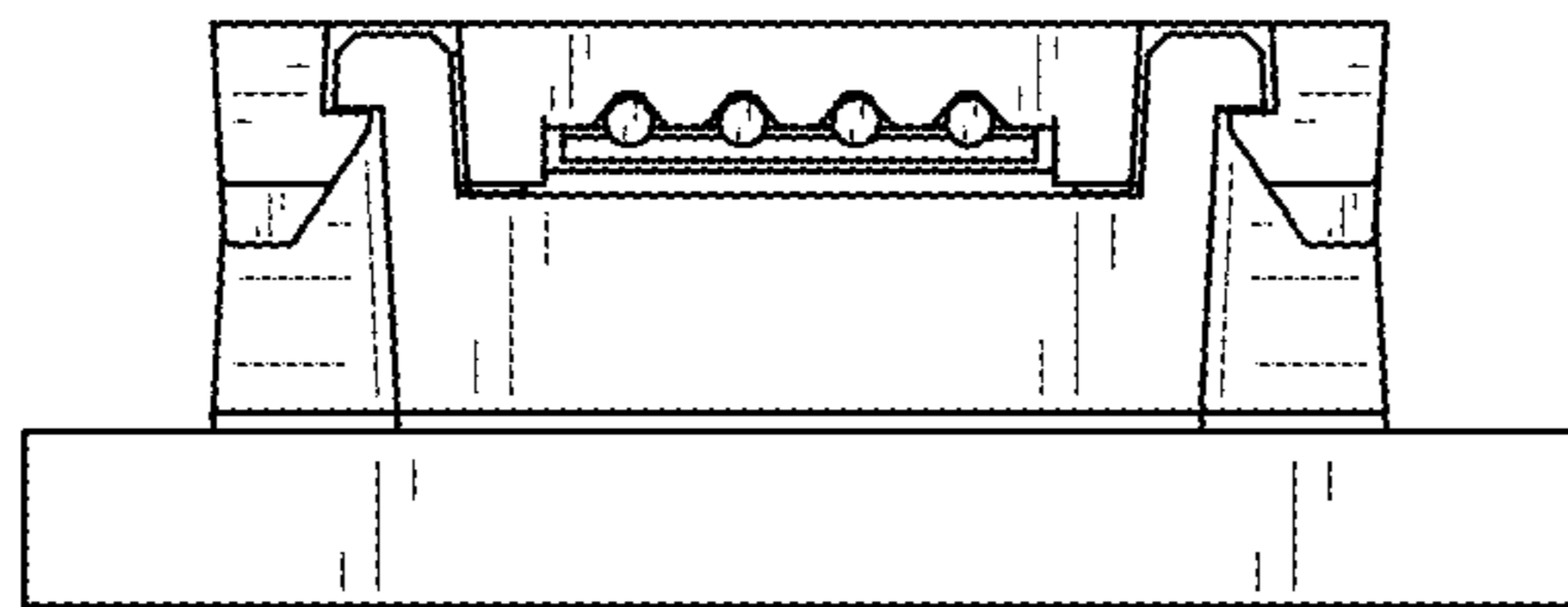


FIG. 2

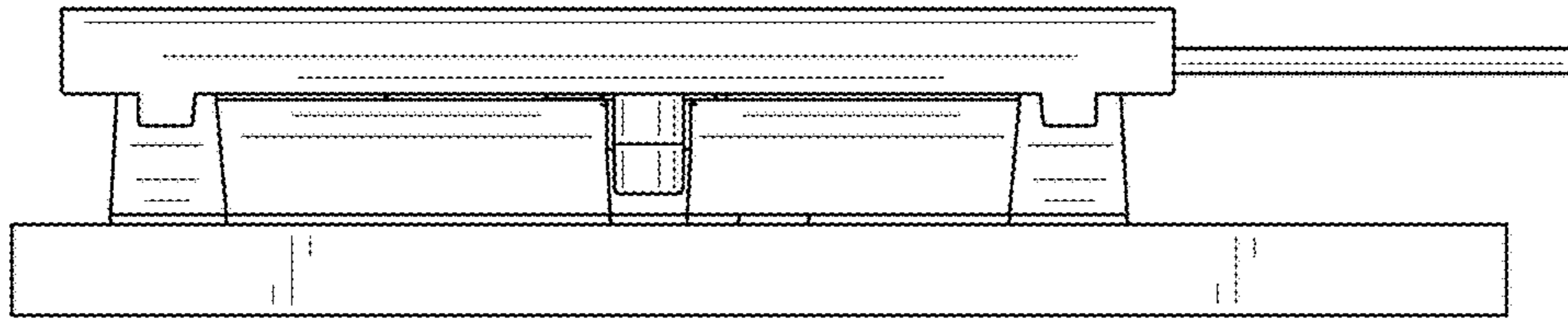


FIG. 3

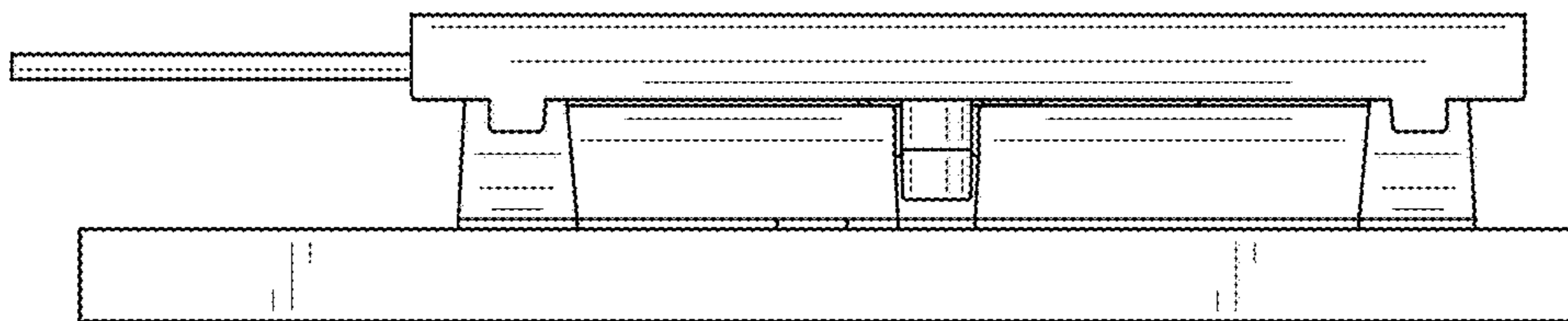


FIG. 4

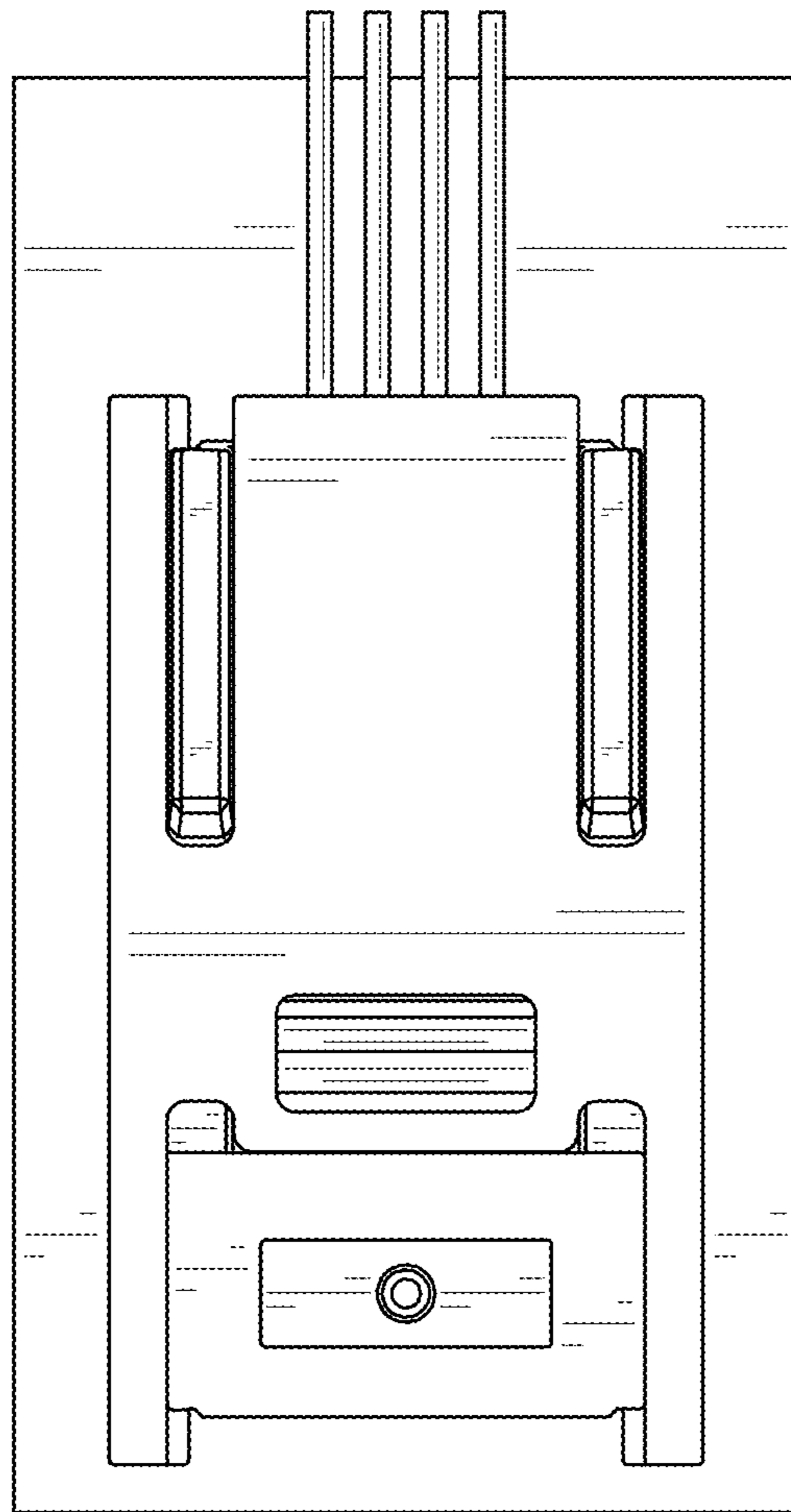


FIG. 5

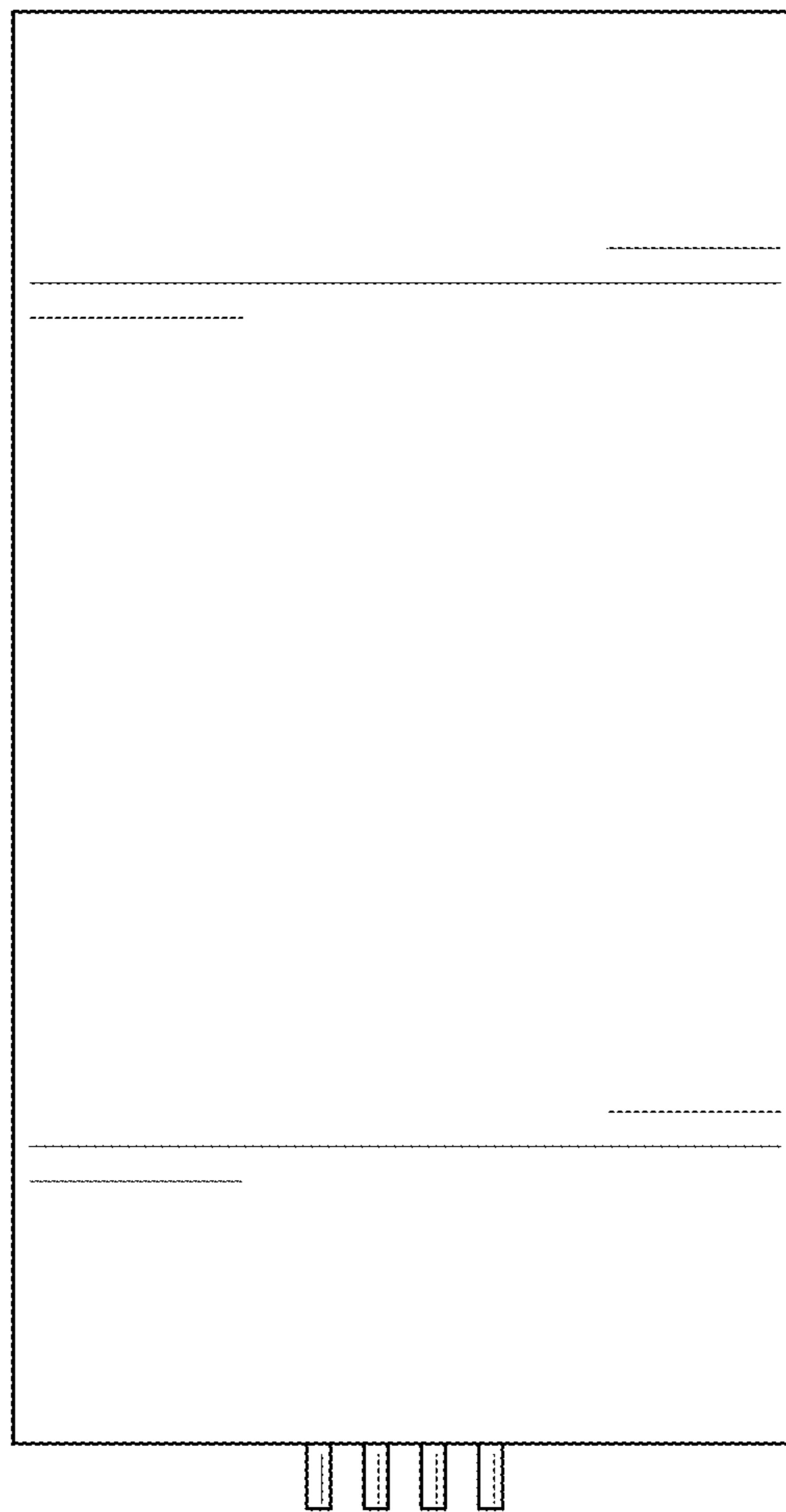


FIG. 6

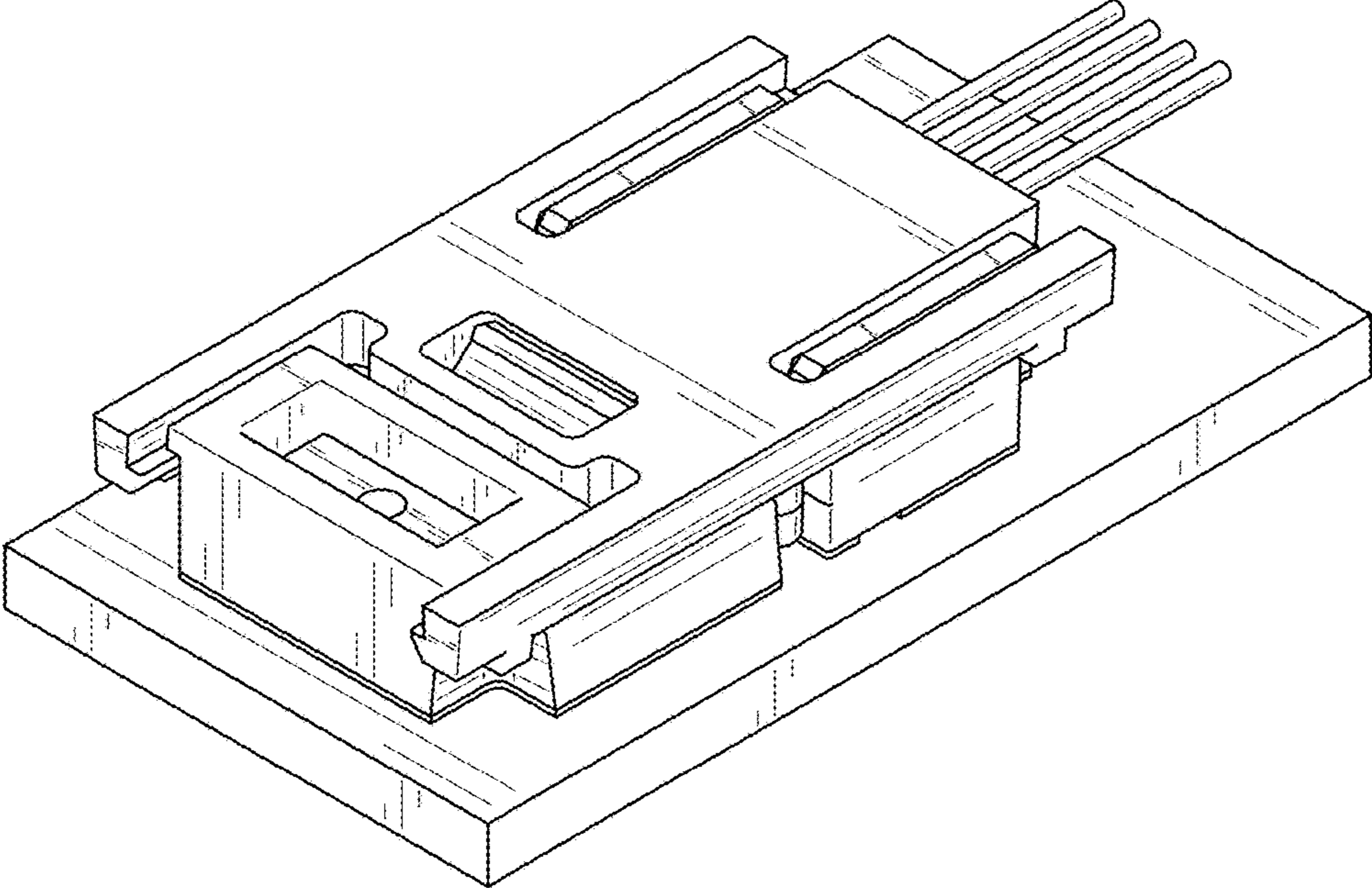


FIG. 7

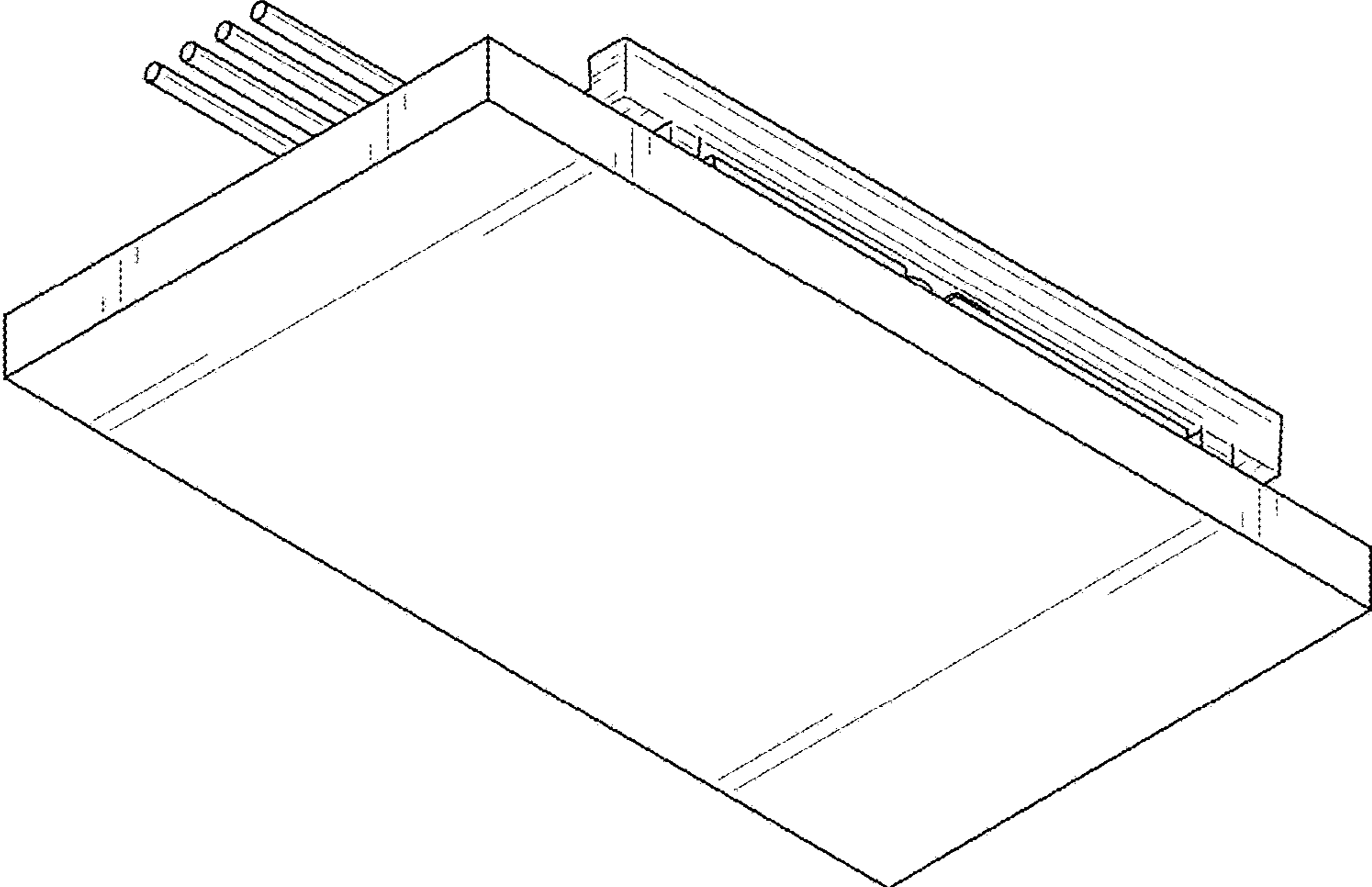


FIG. 8

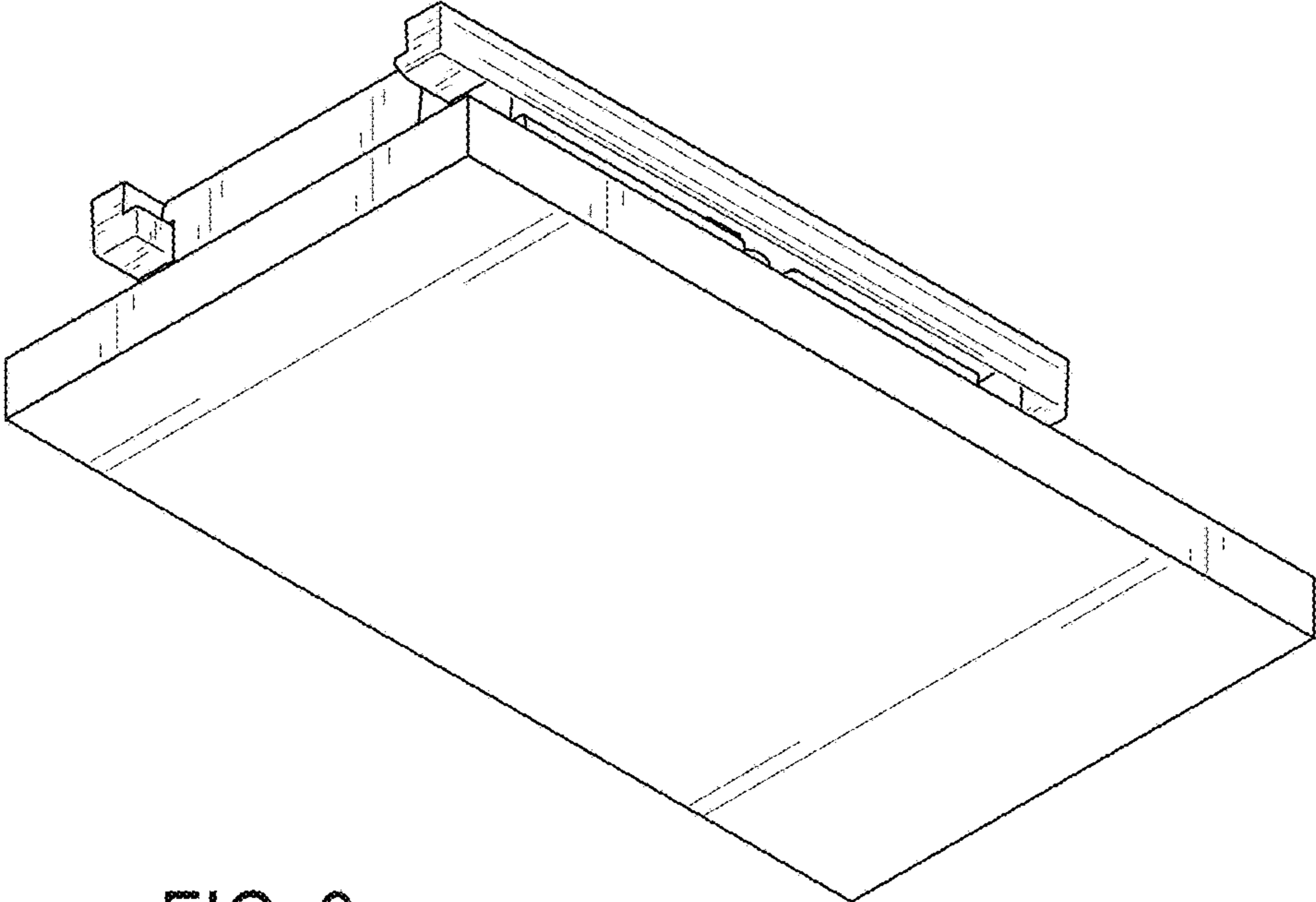


FIG. 9

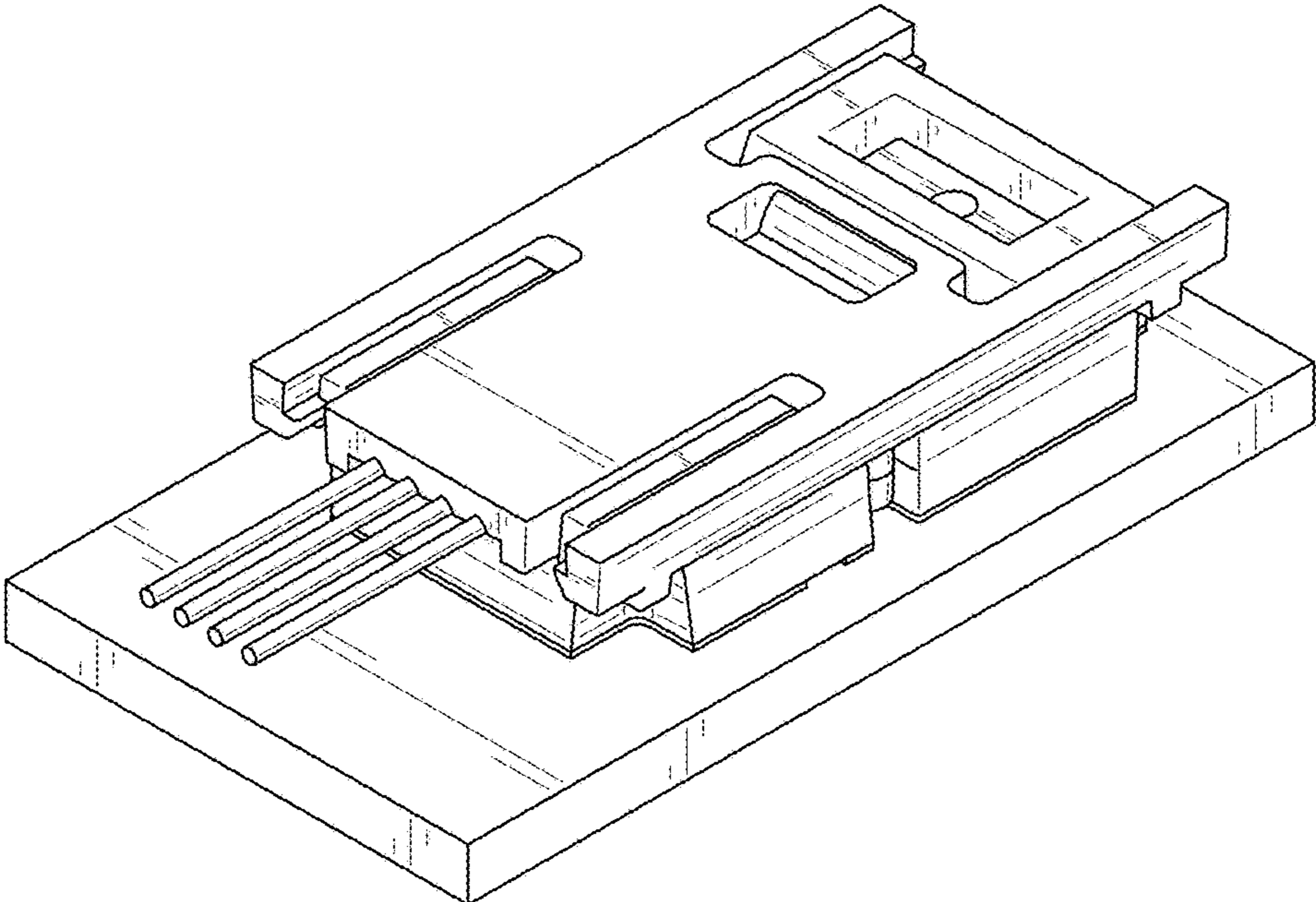


FIG. 10