



US00D775079S

(12) **United States Design Patent** (10) **Patent No.:** **US D775,079 S**  
**Oksengendler et al.** (45) **Date of Patent:** **\*\* Dec. 27, 2016**

(54) **POWER SUPPLY ENCLOSURE WITH LIGHT ENGINE HOLDER**

(71) Applicants: **Alex Oksengendler**, Buffalo Grove, IL (US); **Biju Antony**, Lynnfield, MA (US); **Chaim Becerra**, Danvers, MA (US); **Ty Vyn Rock**, Marblehead, MA (US)

(72) Inventors: **Alex Oksengendler**, Buffalo Grove, IL (US); **Biju Antony**, Lynnfield, MA (US); **Chaim Becerra**, Danvers, MA (US); **Ty Vyn Rock**, Marblehead, MA (US)

(73) Assignee: **OSRAM SYLVANIA Inc.**, Wilmington, MA (US)

(\*\*) Term: **14 Years**

(21) Appl. No.: **29/491,914**

(22) Filed: **May 27, 2014**

(51) **LOC (10) Cl.** ..... **13-03**

(52) **U.S. Cl.**  
USPC ..... **D13/139.2**

(58) **Field of Classification Search**  
USPC .... D13/139.1-139.8, 137.1-137.4, 152-154, D13/110, 138.1, 108, 107, 184, 120; 439/652, 214, 540.1; 307/11; 362/374; D9/424

(Continued)

(56) **References Cited**

U.S. PATENT DOCUMENTS

D266,227 S \* 9/1982 LaBarbara ..... D9/424  
D300,922 S \* 5/1989 Schwartz ..... D13/139.8

(Continued)

*Primary Examiner* — Rhea Shields

(74) *Attorney, Agent, or Firm* — Shaun P. Montana

(57) **CLAIM**

The ornamental design for a power supply enclosure with light engine holder, as shown and described.

**DESCRIPTION**

FIG. 1 is a perspective view of an embodiment of the ornamental design of a power supply enclosure with light engine holder.

FIG. 2 is a top view of an embodiment of the ornamental design of the power supply enclosure with light engine holder.

FIG. 3 is a side view of an embodiment of the ornamental design of the power supply enclosure with light engine holder.

FIG. 4 is a bottom view of an embodiment of the ornamental design of the power supply enclosure with light engine holder.

FIG. 5 is a front view of an embodiment of the ornamental design of the power supply enclosure with light engine holder.

FIG. 6 is a back view of an embodiment of the ornamental design of the power supply enclosure with light engine holder.

FIG. 7 is a perspective view of an embodiment of the ornamental design of the power supply enclosure with light engine holder.

FIG. 8 is a top view of an embodiment of the ornamental design of the power supply enclosure with light engine holder.

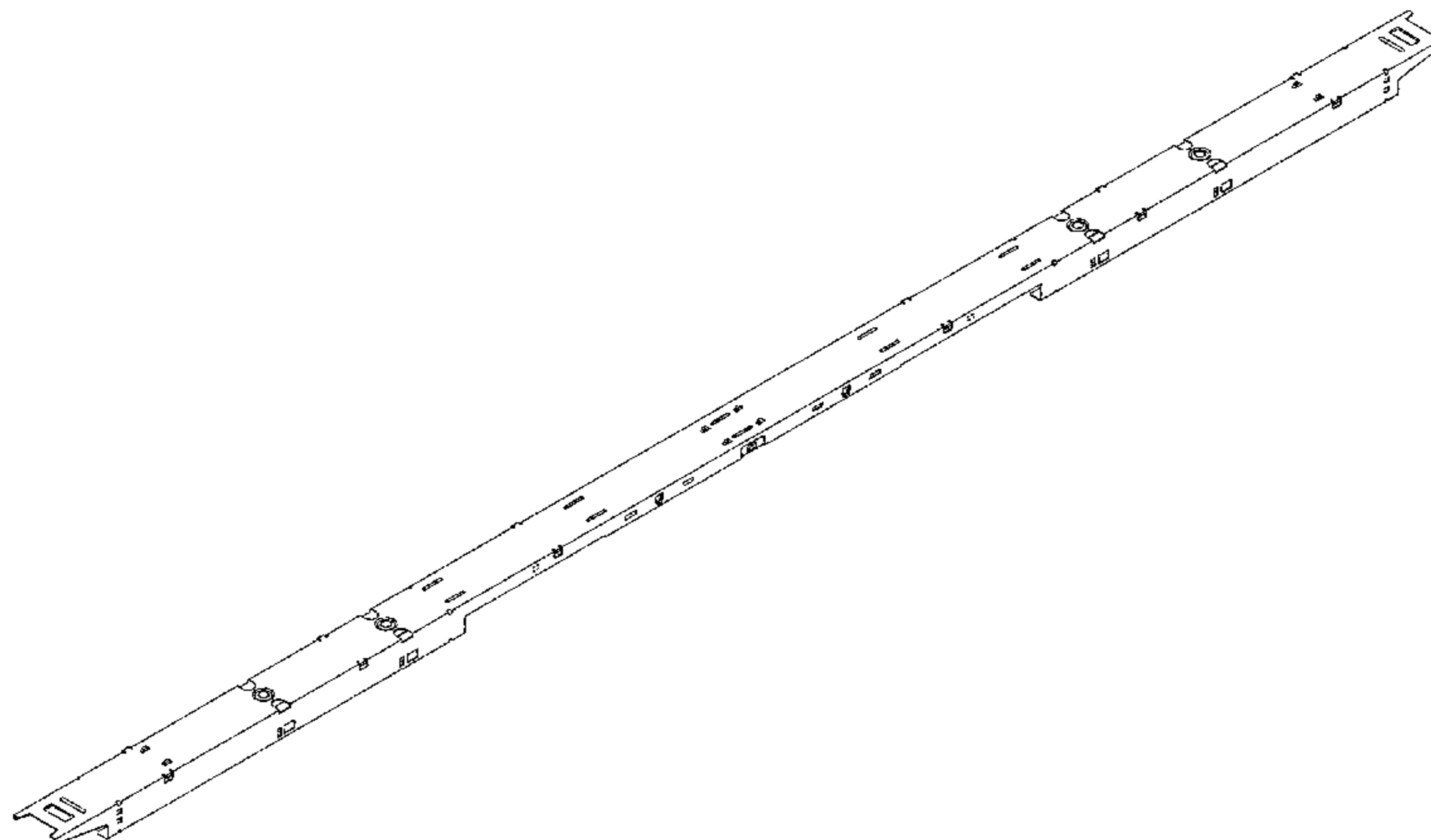
FIG. 9 is a side view of an embodiment of the ornamental design of the power supply enclosure with light engine holder.

FIG. 10 is a bottom view of an embodiment of the ornamental design of the power supply enclosure with light engine holder.

FIG. 11 is a front view of an embodiment of the ornamental design of the power supply enclosure with light engine holder; and,

FIG. 12 is a back view of an embodiment of the ornamental design of the power supply enclosure with light engine holder.

**1 Claim, 4 Drawing Sheets**



(58) **Field of Classification Search**

CPC ..... F21S 48/1208; H01R 13/6675; H01R  
13/518; H01R 31/02; H01R 25/003

See application file for complete search history.

(56) **References Cited**

U.S. PATENT DOCUMENTS

D313,588	S *	1/1991	Gecchelin .....	D13/154
5,292,257	A *	3/1994	Milan .....	439/214
D358,803	S	5/1995	Shen	
D408,369	S *	4/1999	Belinky et al. ....	D13/184
D470,460	S *	2/2003	Yu .....	D13/139.8
D546,766	S *	7/2007	Tropp .....	D13/139.6
D551,169	S *	9/2007	Tropp .....	D13/139.6
D586,950	S	2/2009	Garner et al.	
D587,654	S *	3/2009	Leen .....	D13/139.2
D603,549	S	11/2009	Ng	
D615,389	S	5/2010	Shinozaki	
D619,092	S *	7/2010	Eilertsen et al. ....	D13/120
D621,542	S	8/2010	Klus	
D629,553	S	12/2010	Gielen	
D632,423	S	2/2011	Canfield	
D634,063	S	3/2011	Peifer	
D643,572	S	8/2011	Lown et al.	
D649,114	S *	11/2011	Brookshire et al. ....	D13/110
D702,391	S	4/2014	Clark et al.	
D732,225	S	6/2015	Grandsart et al.	
D733,347	S	6/2015	Dungan et al.	
2005/0101193	A1 *	5/2005	Godard .....	439/652
2011/0195600	A1 *	8/2011	Feigl .....	439/540.1
2014/0334139	A1	11/2014	Smith	
2014/0346866	A1 *	11/2014	Feigl et al. ....	307/11
2015/0138785	A1 *	5/2015	Oksengendler et al. ....	362/374

\* cited by examiner

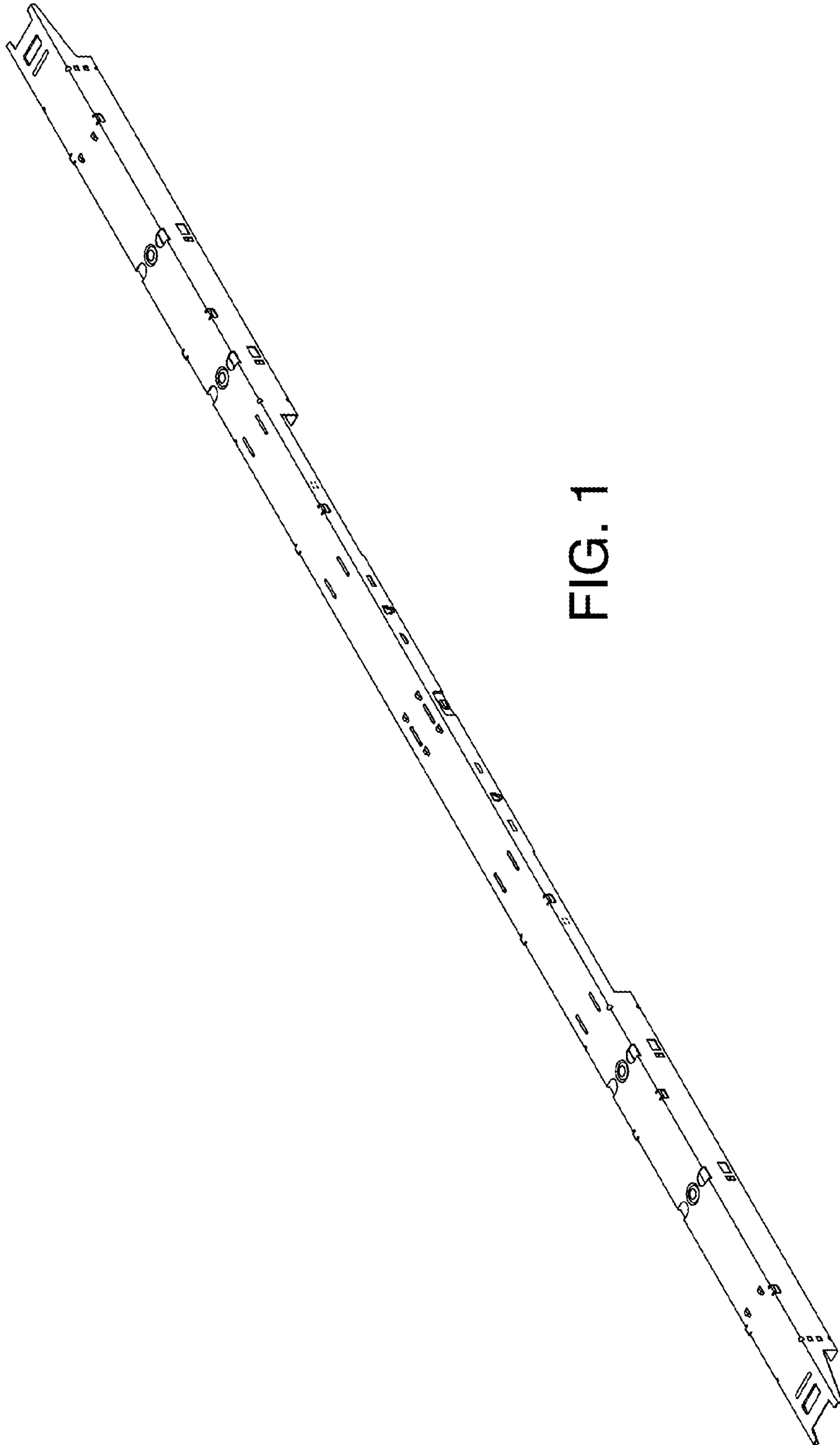


FIG. 1

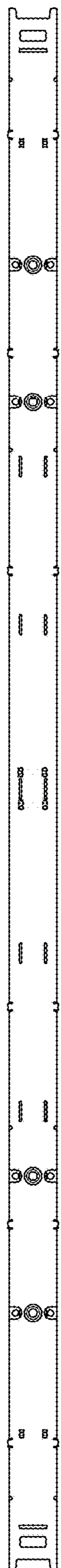


FIG. 2



FIG. 3



FIG. 4

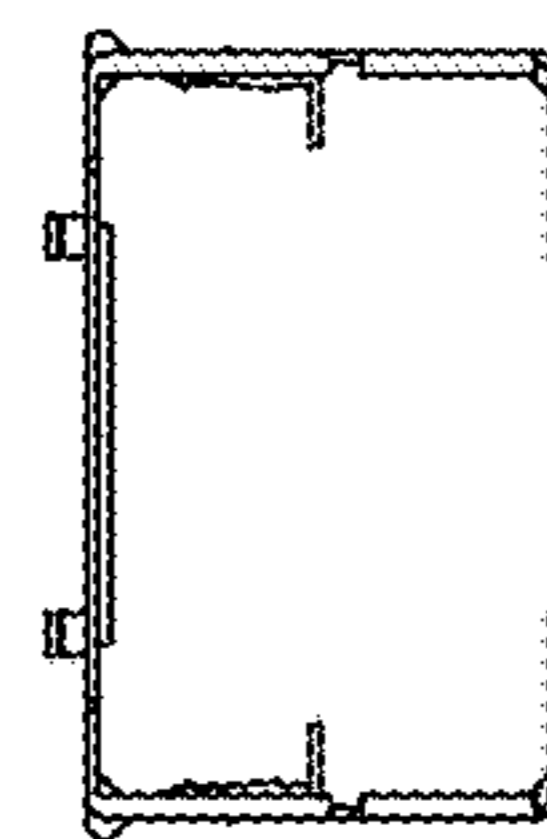


FIG. 6

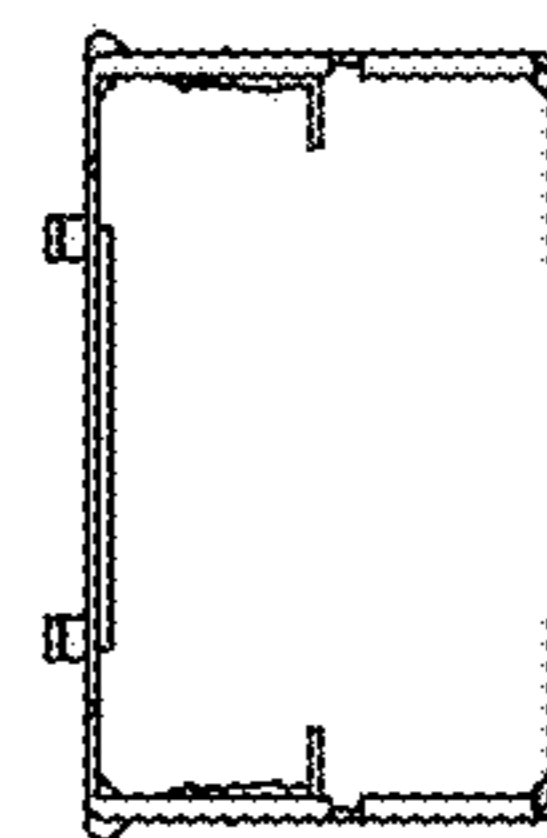
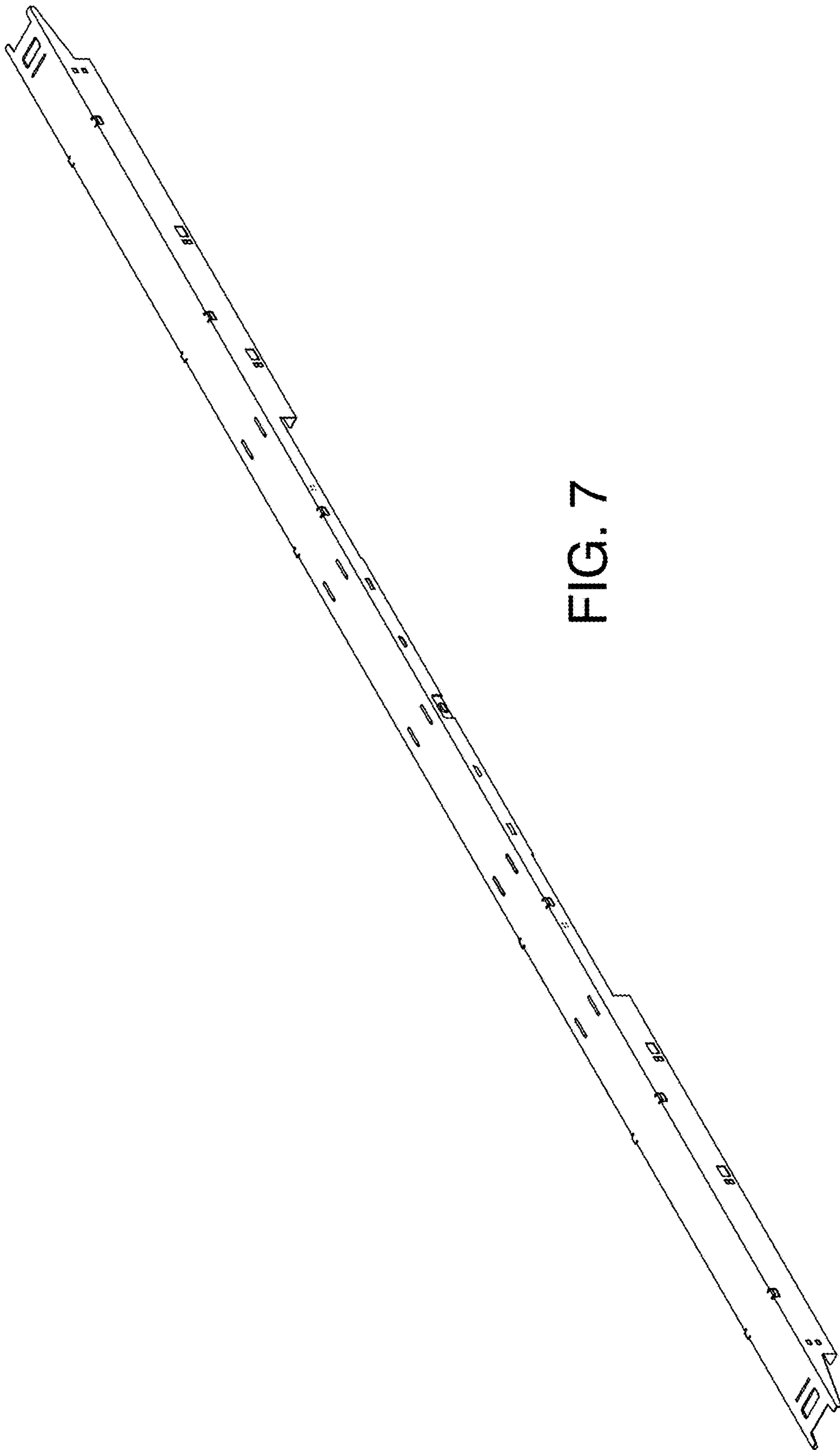


FIG. 5



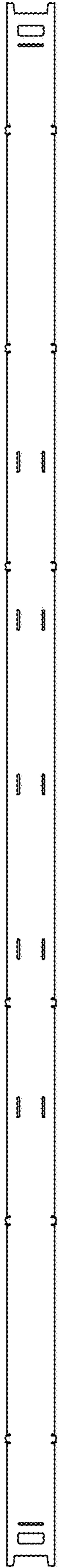


FIG. 8



FIG. 9



FIG. 10

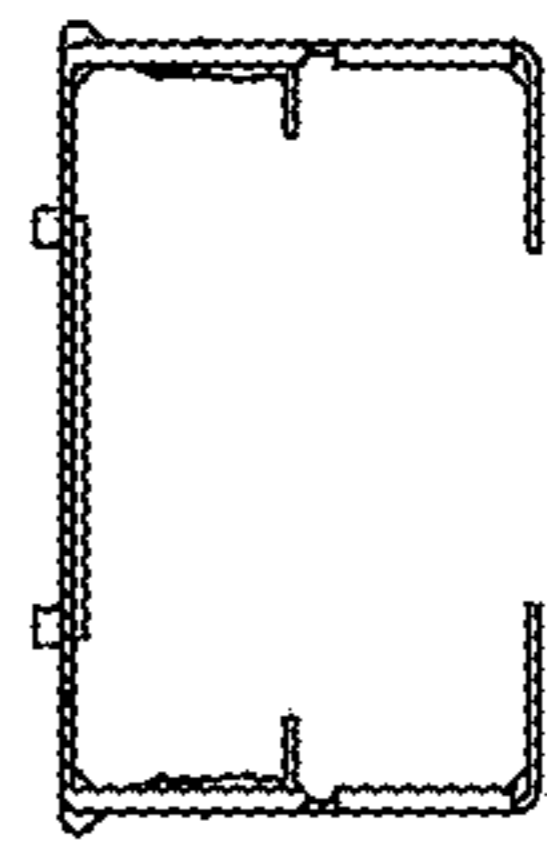


FIG. 11

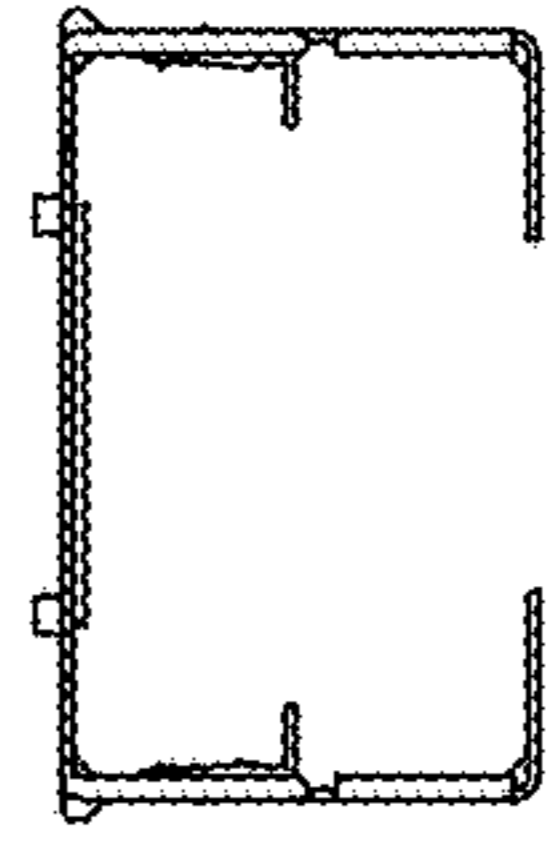


FIG. 12