



US00D775078S

(12) **United States Design Patent**
Peng et al.

(10) **Patent No.:** **US D775,078 S**

(45) **Date of Patent:** **** Dec. 27, 2016**

(54) **DEVICE HOLDER FOR WALL SWITCH AND WALL OUTLET**

(71) Applicants: **Steve K. Peng**, Torrance, CA (US);
Joycelyn Peng, Torrance, CA (US)

(72) Inventors: **Steve K. Peng**, Torrance, CA (US);
Joycelyn Peng, Torrance, CA (US)

(**) Term: **15 Years**

(21) Appl. No.: **29/533,524**

(22) Filed: **Jul. 17, 2015**

(51) **LOC (10) Cl.** **13-03**

(52) **U.S. Cl.**
USPC **D13/137.2**

(58) **Field of Classification Search**
USPC D13/137.1–137.4, 138.1–138.2,
D13/139.1–139.8, 154, 110; 361/679.02;
174/53
CPC H05K 7/1482; H02G 3/14
See application file for complete search history.

(56) **References Cited**

U.S. PATENT DOCUMENTS

- 5,099,391 A * 3/1992 Maggelet H05K 7/1482
361/679.02
- D413,570 S * 9/1999 Intveld D13/137.1
- D467,553 S * 12/2002 Cheng D13/154
- D486,793 S * 2/2004 Gershfeld D13/139.4

- D580,358 S * 11/2008 Gershfeld D13/139.4
- 7,576,285 B1 * 8/2009 Savicki, Jr. H02G 3/14
174/53
- D605,603 S * 12/2009 Mo D13/154
- D750,564 S * 3/2016 Weagle D13/137.4
- D754,065 S * 4/2016 Gray D13/110

* cited by examiner

Primary Examiner — Rhea Shields

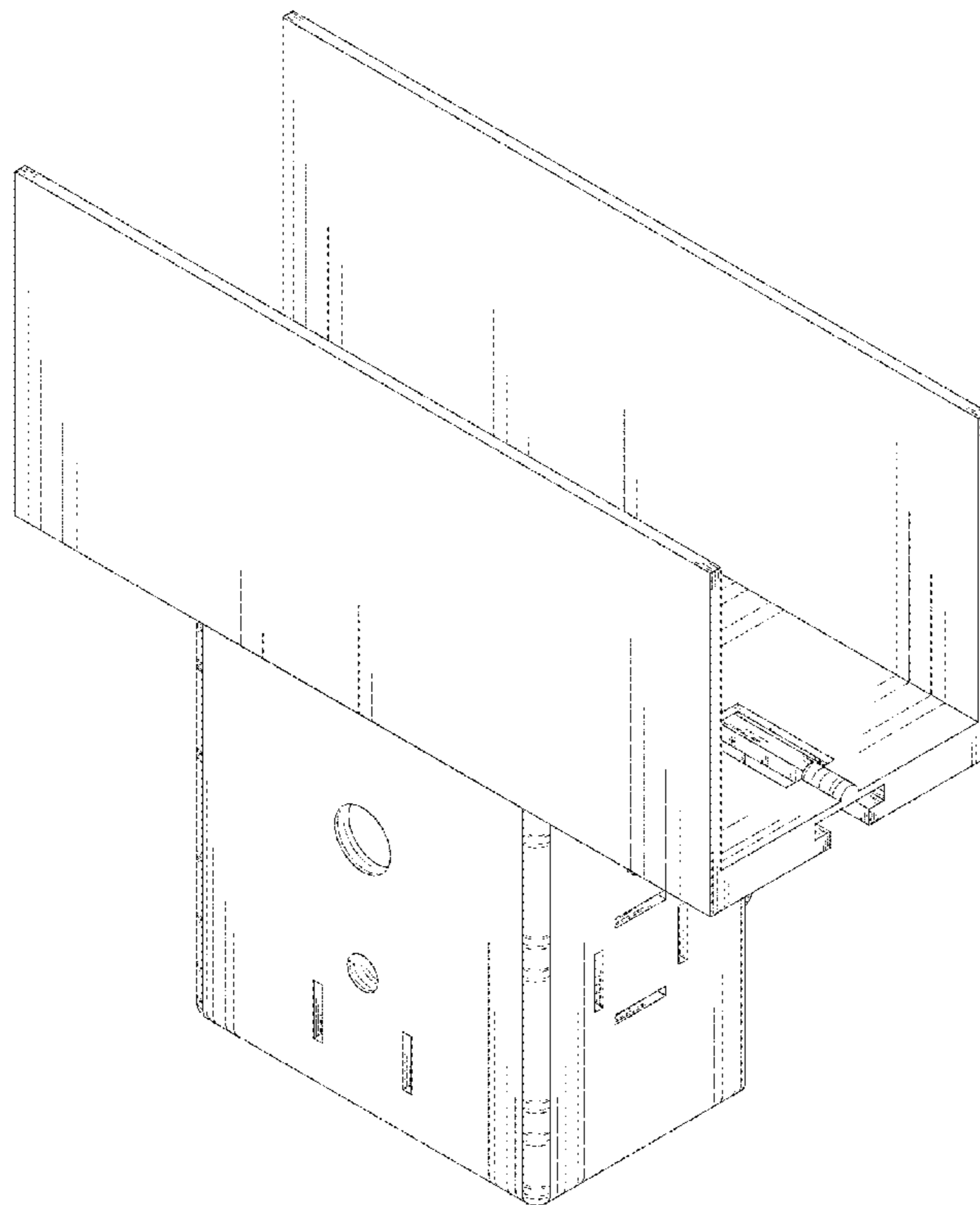
(57) **CLAIM**

The ornamental design for a device holder for wall switch and wall outlet, as shown and described.

DESCRIPTION

FIG. 1 is a perspective view of device holder for wall switch and wall outlet showing my new design;
 FIG. 2 is a front elevational view thereof;
 FIG. 3 is a rear elevational view thereof;
 FIG. 4 is a left side elevational view thereof;
 FIG. 5 is a right side elevational view thereof;
 FIG. 6 is a top plan view thereof;
 FIG. 7 is a bottom plan view thereof;
 FIG. 8 is an exploded view thereof; and,
 FIG. 9 is a left side elevational view engaged with an outlet wall plate thereof.
 In FIG. 9, the broken lines are for the purpose of illustrating environment only and form no part of the claimed design.

1 Claim, 9 Drawing Sheets



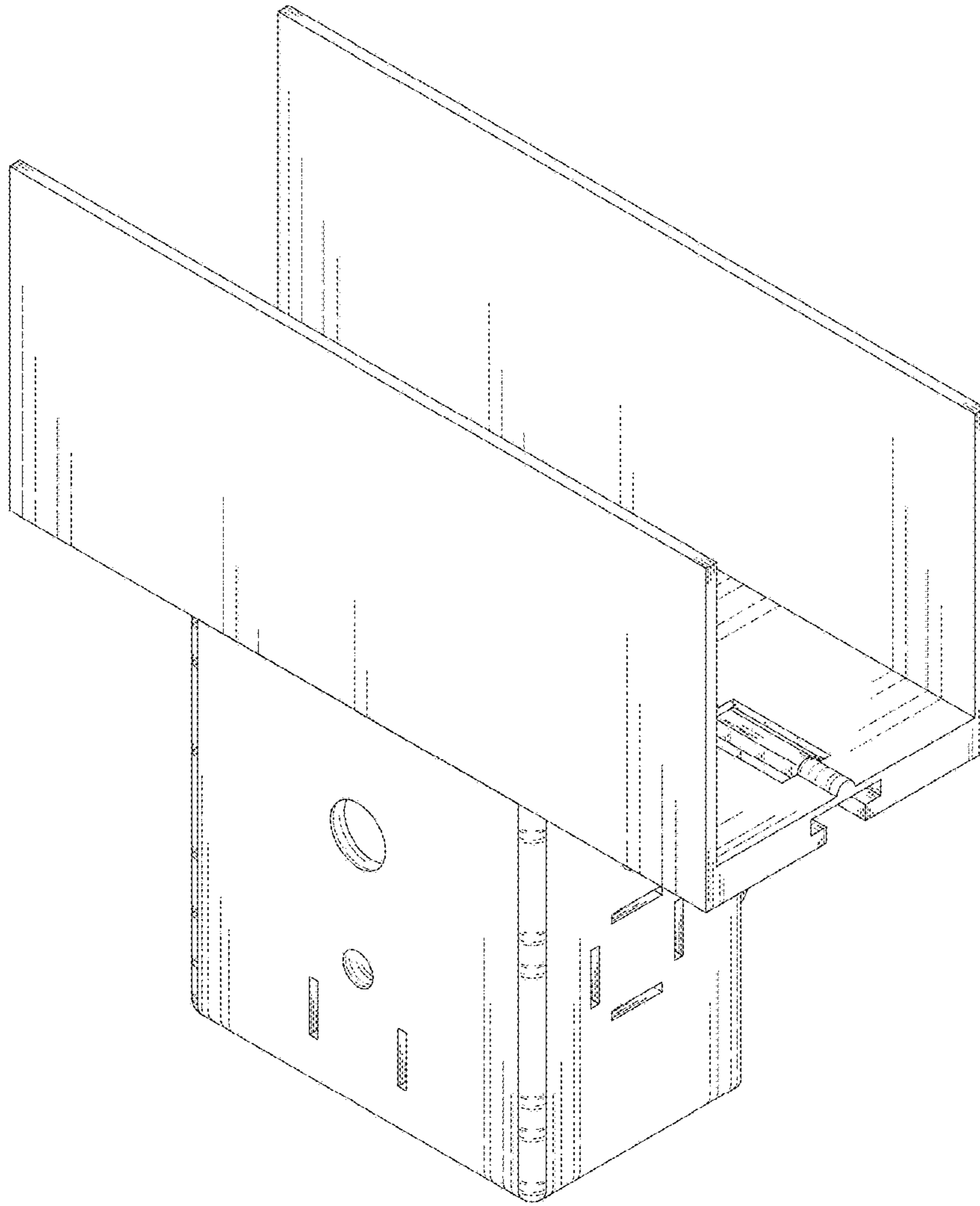


FIG. 1

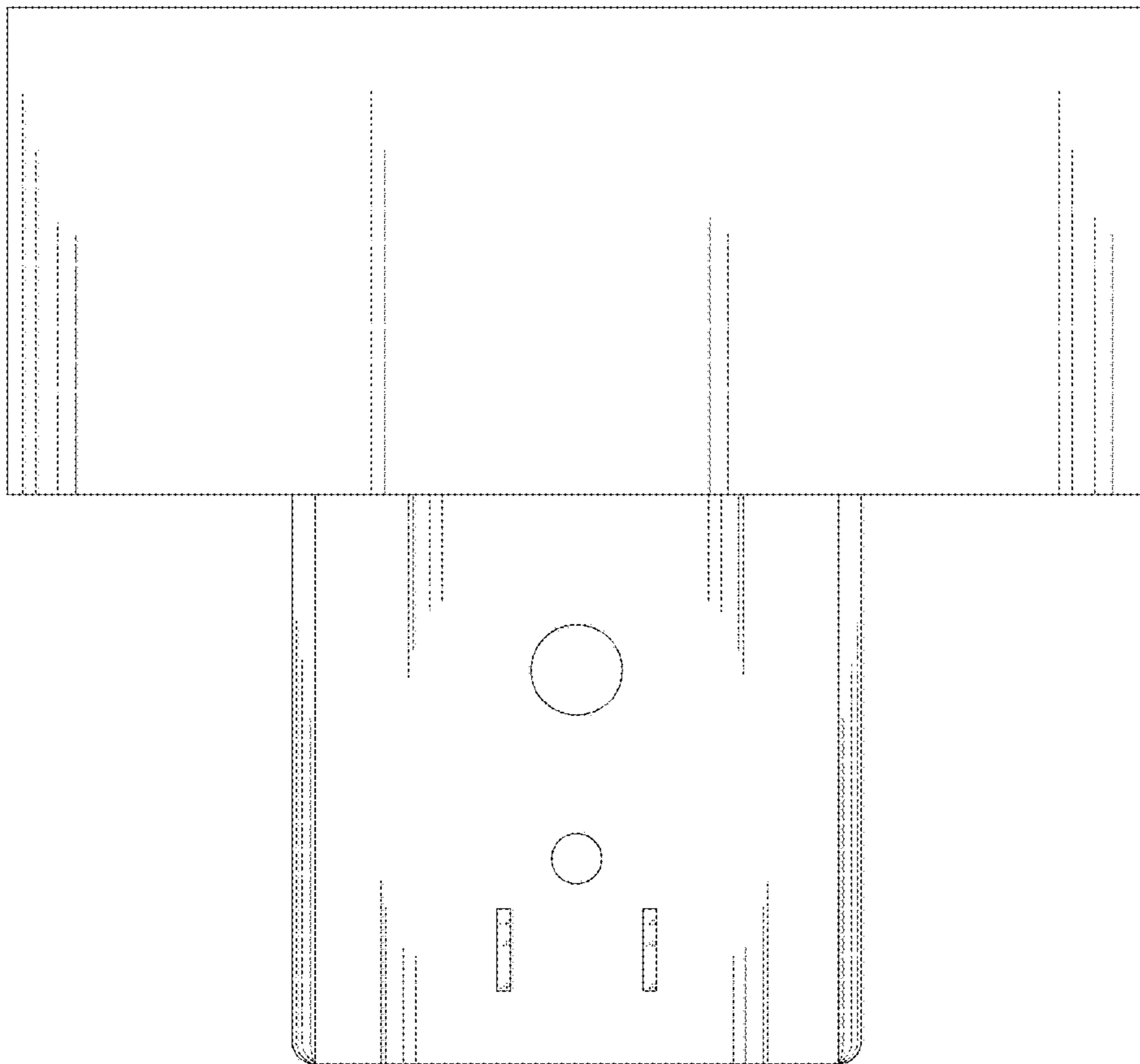


FIG. 2

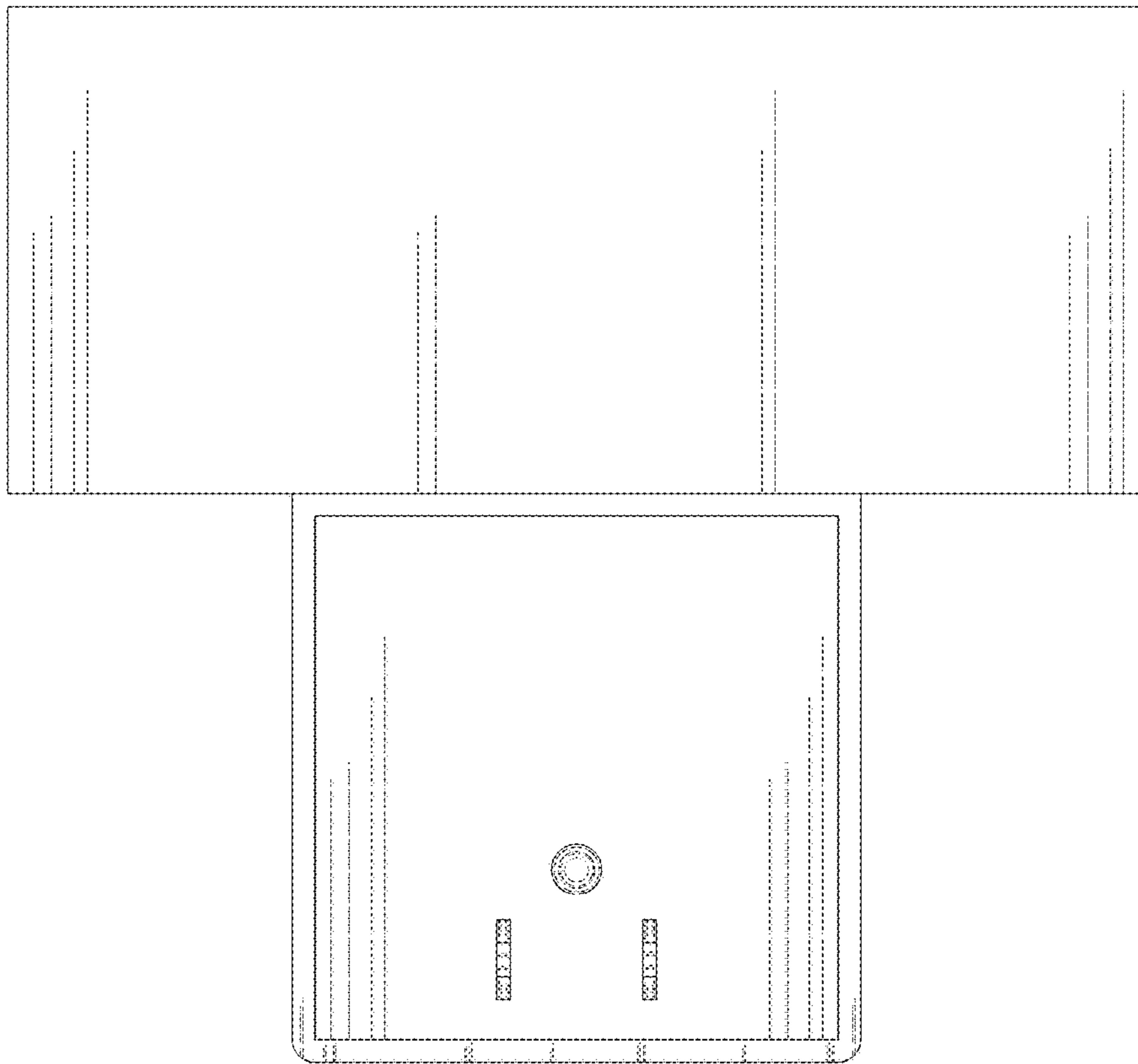


FIG. 3

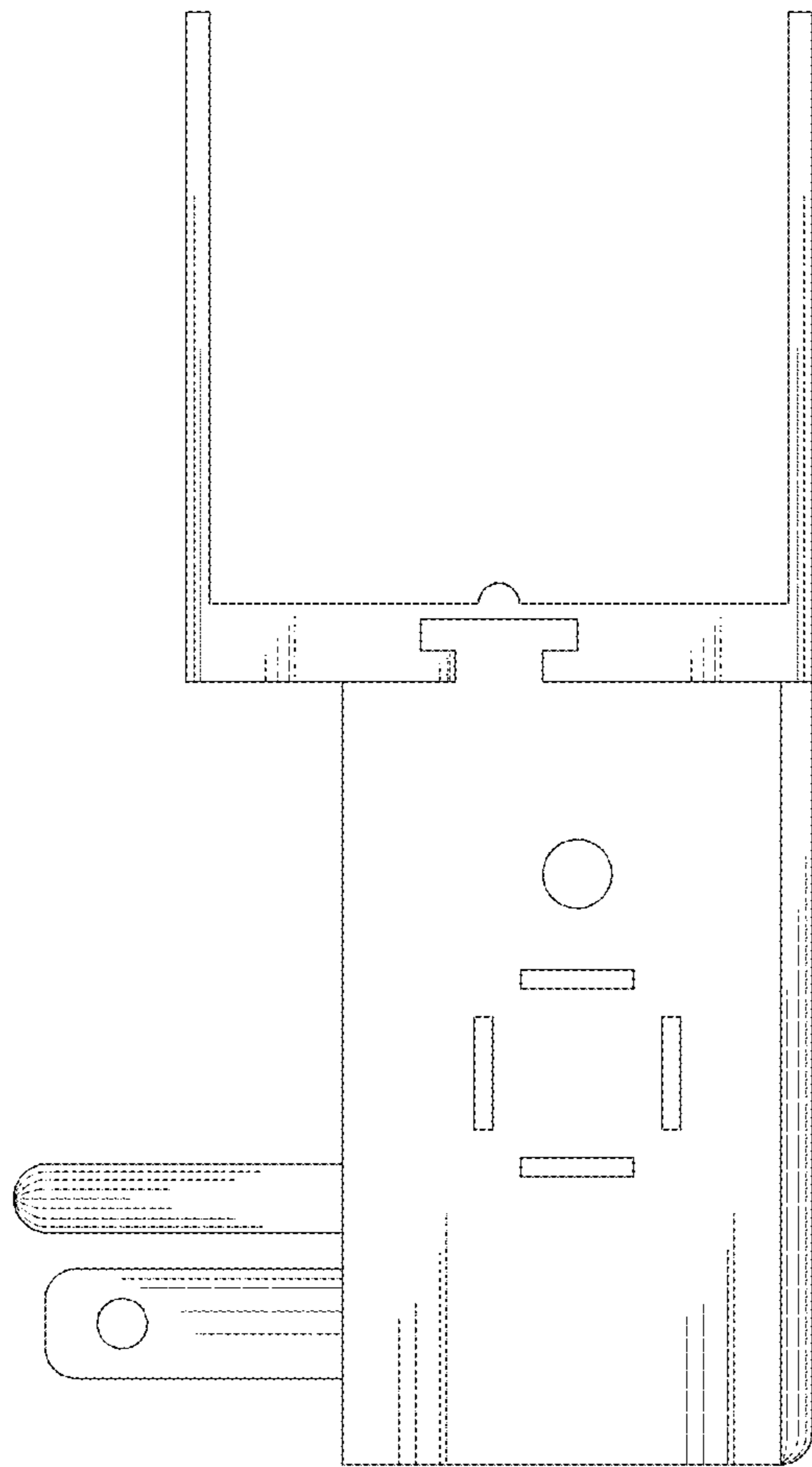


FIG. 4

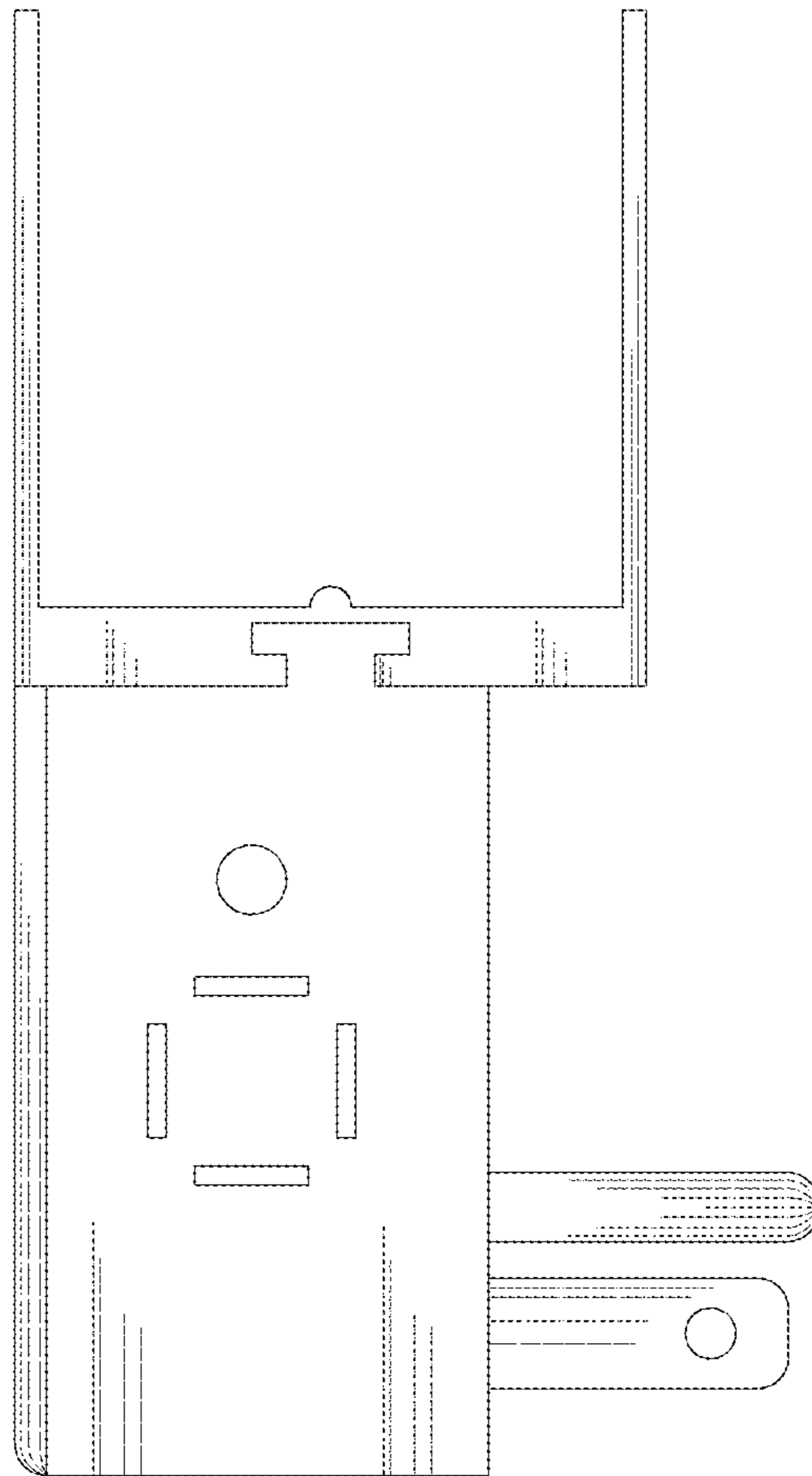


FIG. 5

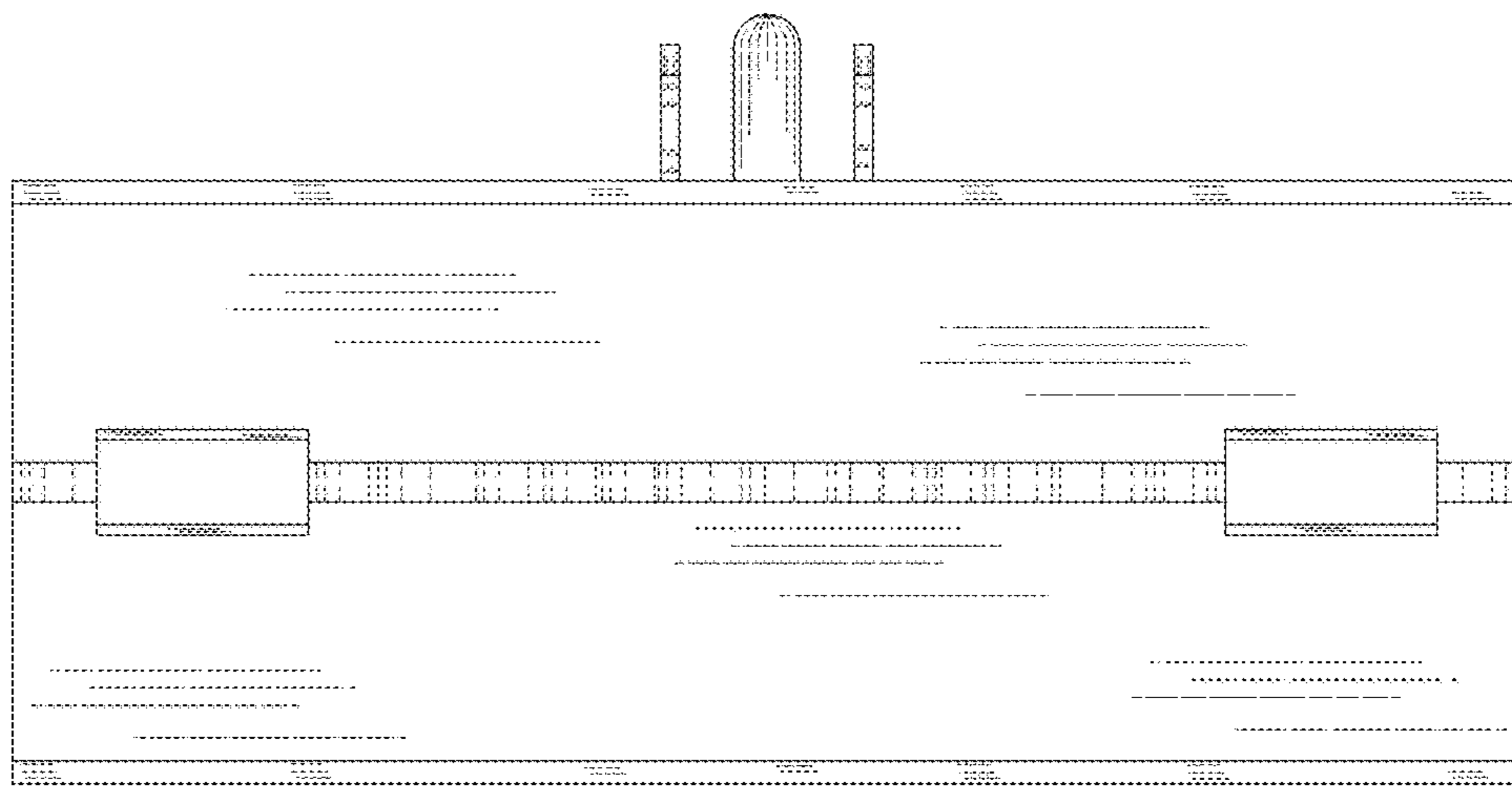


FIG. 6

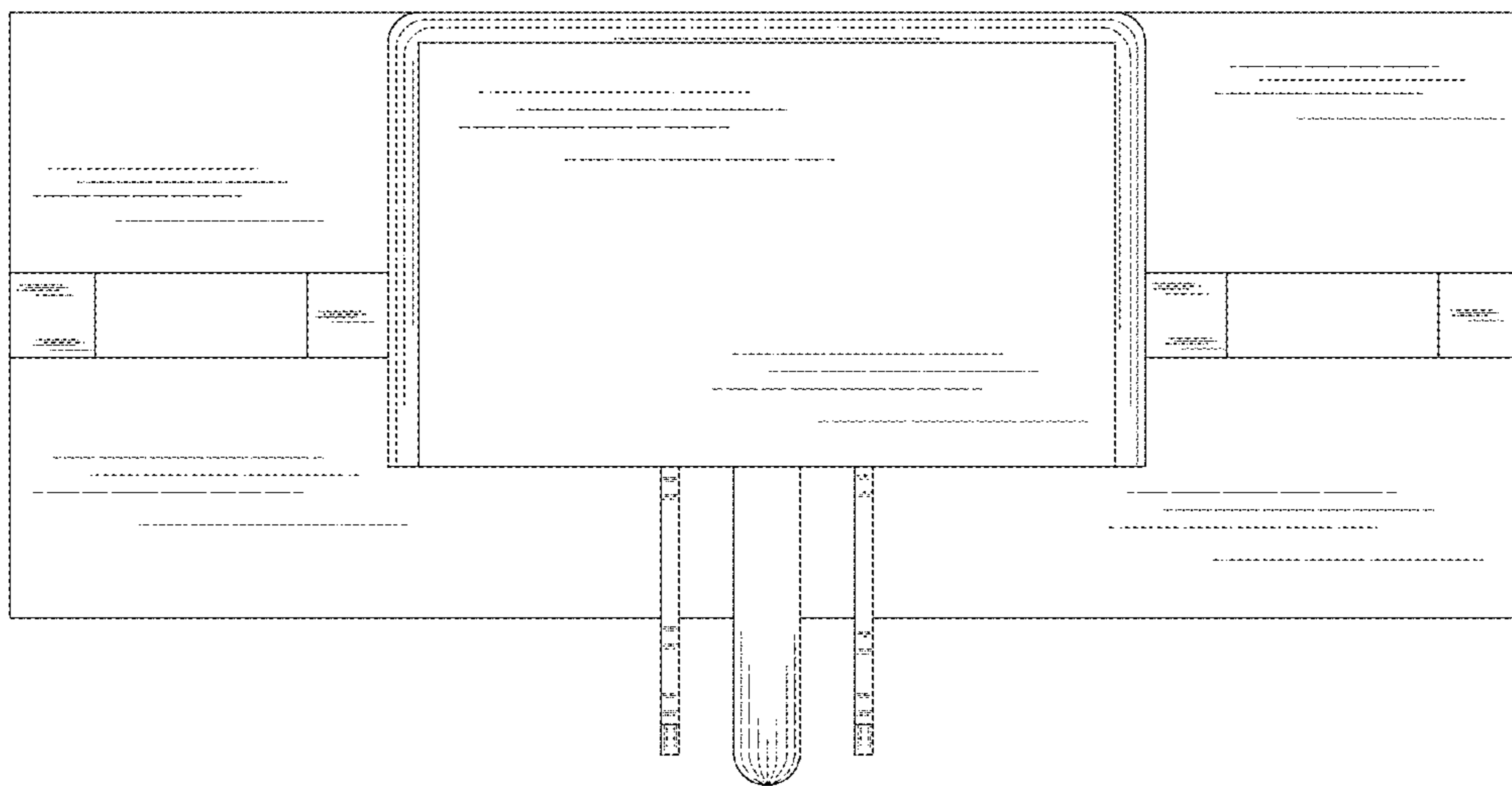


FIG. 7

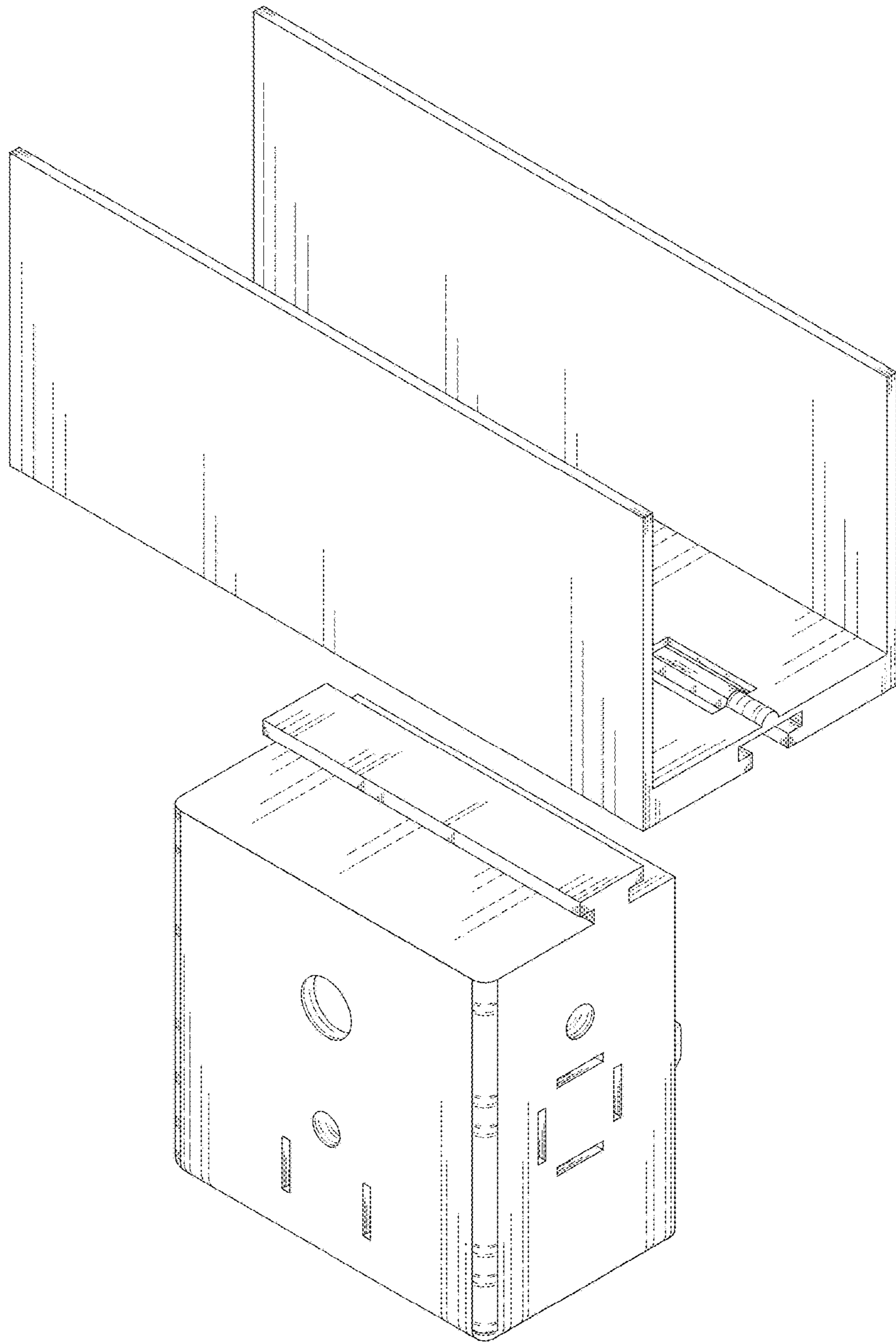


FIG. 8

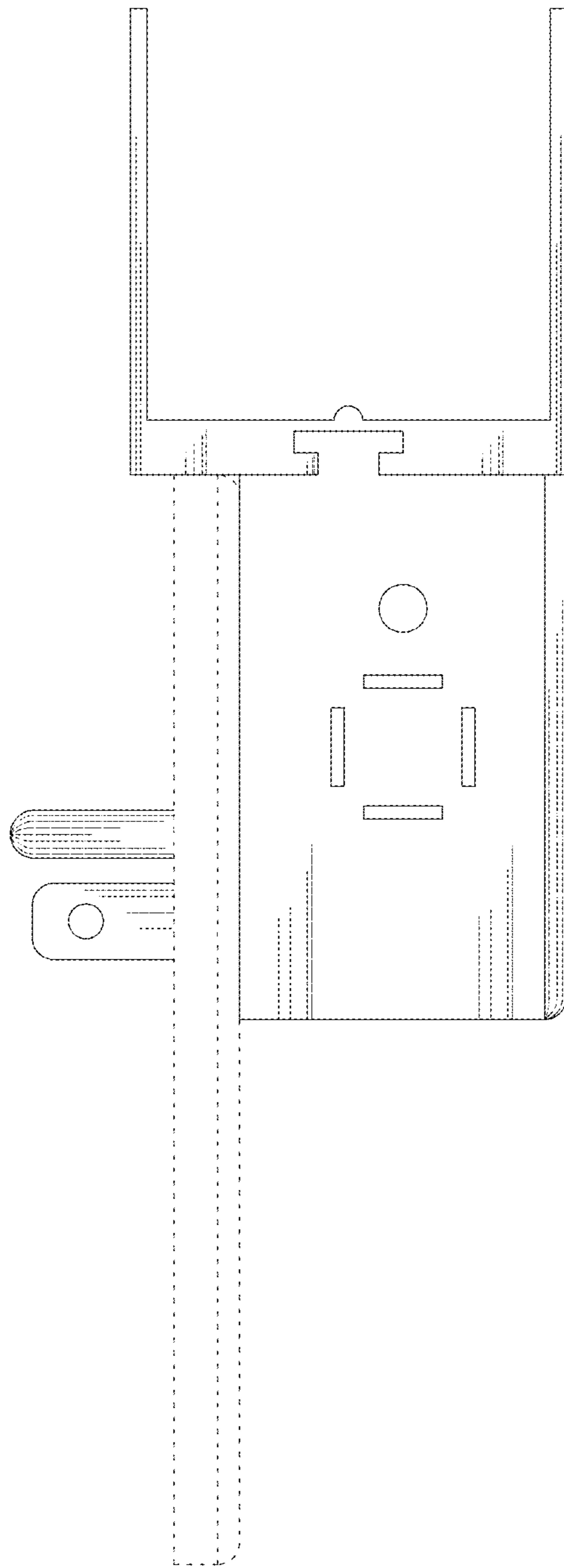


FIG. 9