



US00D775077S

(12) **United States Design Patent** (10) **Patent No.:** **US D775,077 S**
Xu (45) **Date of Patent:** **** Dec. 27, 2016**

(54) **CONNECTOR WITH USB**
(71) Applicant: **Guangdong BESTEK E-commerce Co., Ltd., Shenzhen (CN)**
(72) Inventor: **Xinhua Xu, Shenzhen (CN)**
(73) Assignee: **GUANGDONG BESTEK E-COMMERCE CO., LTD. (CN)**
(**) Term: **15 Years**
(21) Appl. No.: **29/531,051**

D588,065 S * 3/2009 Wadsworth D13/137.2
D638,357 S * 5/2011 Sasada D13/110
D651,974 S * 1/2012 Benedetti D13/137.2
D680,953 S * 4/2013 Kuo D13/137.2
D694,713 S * 12/2013 Yeo D13/137.1
D695,693 S * 12/2013 Lee D13/152
D700,140 S * 2/2014 Loya D13/110
D731,430 S * 6/2015 Segnit D13/137.2
D734,253 S * 7/2015 Tinaphong D13/108
D735,669 S * 8/2015 Kelly D13/138.1
D741,265 S * 10/2015 Lee D13/137.2
D742,825 S * 11/2015 Tsou D13/108
D751,038 S * 3/2016 Lin D13/137.2
D753,063 S * 4/2016 Gelonese D13/137.2
D756,303 S * 5/2016 Kellenberger D13/137.1
2003/0218445 A1 * 11/2003 Behar H02J 7/0044
320/114

(22) Filed: **Jun. 23, 2015**
(51) **LOC (10) Cl.** **13-03**
(52) **U.S. Cl.**
USPC **D13/137.2**
(58) **Field of Classification Search**
USPC D13/137.2, 152, 137.1, 110, 108, 138.1,
D13/139.8, 139.4; 320/114, 135
CPC H02J 7/0044; G06F 1/1632
See application file for complete search history.

* cited by examiner

Primary Examiner — Rhea Shields
(74) *Attorney, Agent, or Firm* — Garcia-Zamor IP Law;
Ruy M. Garcia-Zamor

(56) **References Cited**

U.S. PATENT DOCUMENTS

D401,555 S * 11/1998 Tam D13/137.3
D443,249 S * 6/2001 Lee D13/139.8
D453,497 S * 2/2002 Stekelenburg D13/139.4
6,614,206 B1 * 9/2003 Wong G06F 1/1632
320/135
D523,397 S * 6/2006 Maglionico D13/137.2
D543,939 S * 6/2007 Burke D13/137.2
D547,271 S * 7/2007 Ng D13/137.1
D565,558 S * 4/2008 Liu D14/240
D572,712 S * 7/2008 Ledbetter D13/110
D582,346 S * 12/2008 Zhou D13/137.2

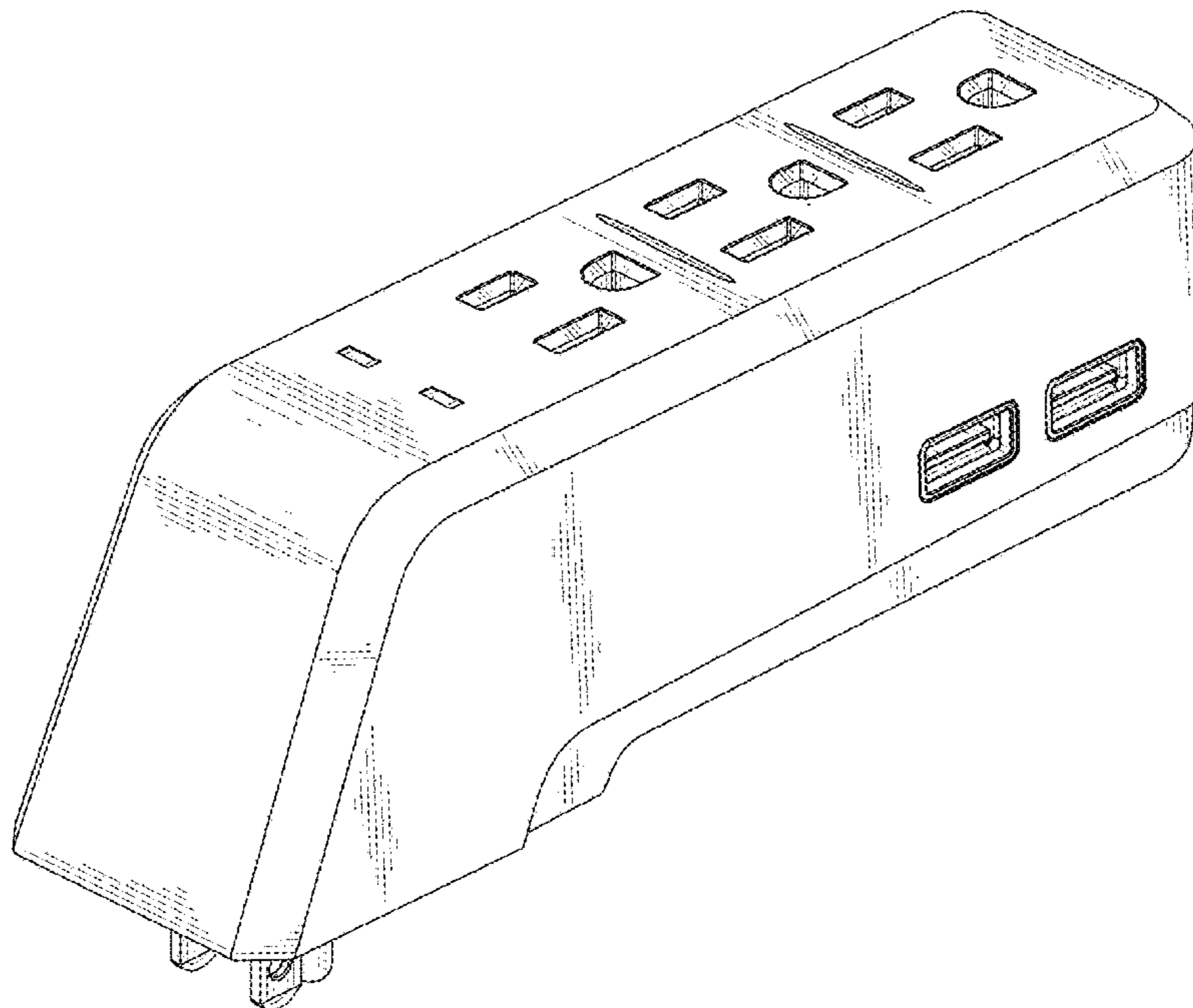
(57) **CLAIM**

I claim the ornamental design for a connector with USB, as shown and described.

DESCRIPTION

FIG. 1 is a perspective view of the connector with USB showing my new design;
FIG. 2 is a front elevational view thereof;
FIG. 3 is a rear elevational view thereof;
FIG. 4 is a left side elevational view thereof;
FIG. 5 is a right side elevational view thereof;
FIG. 6 is a top plan view thereof; and,
FIG. 7 is a bottom plan view thereof.

1 Claim, 7 Drawing Sheets



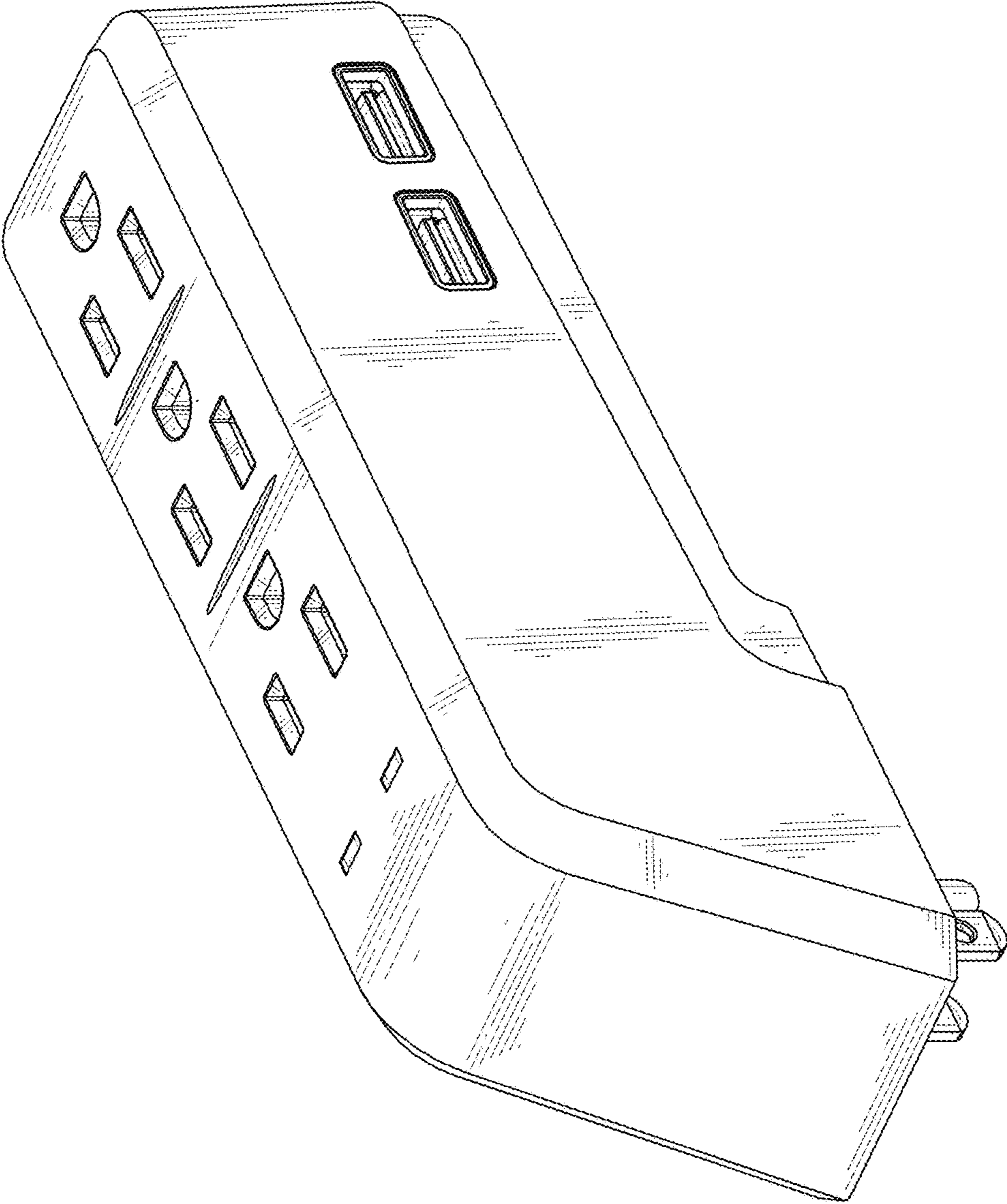


FIG. 1

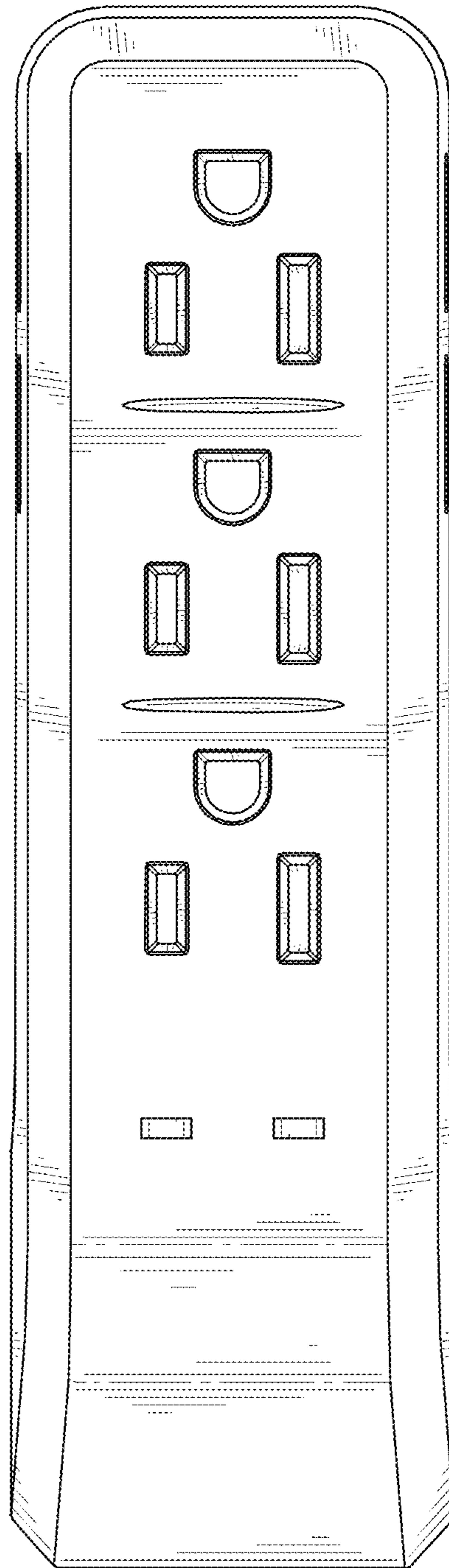


FIG. 2

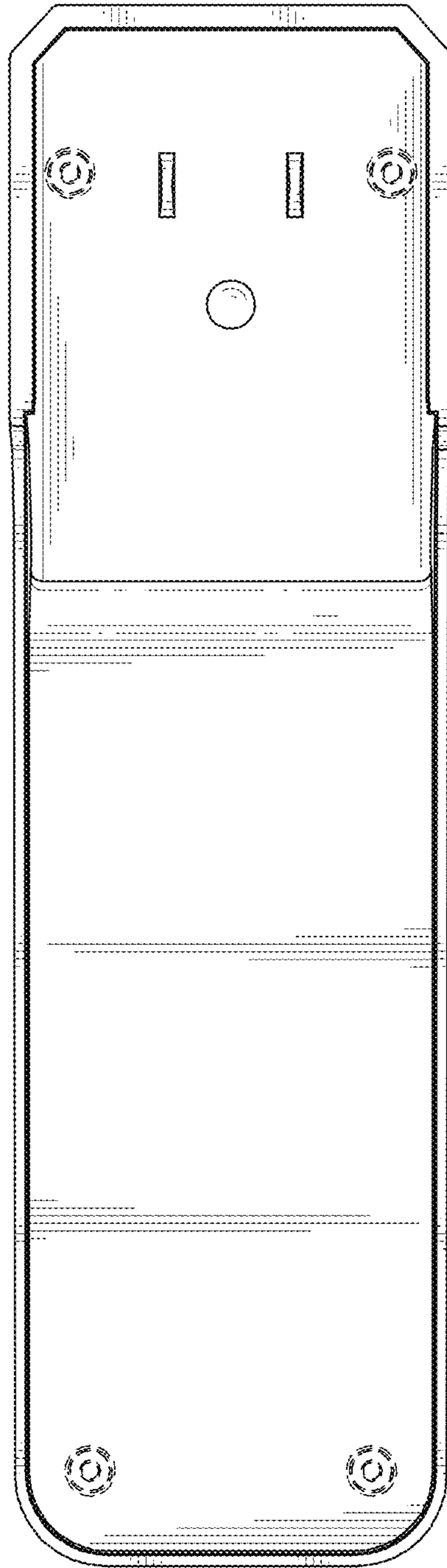


FIG. 3

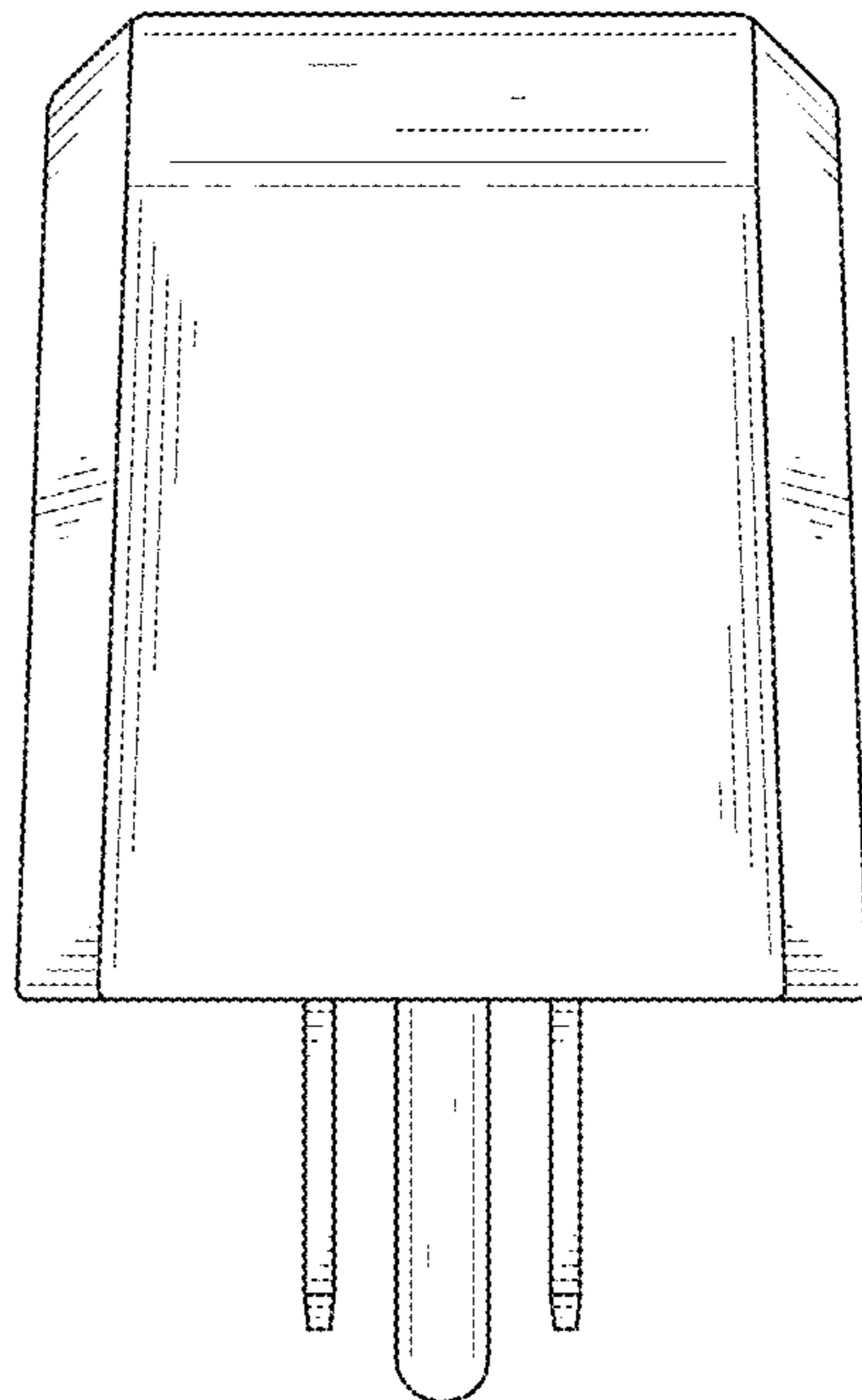


FIG. 4

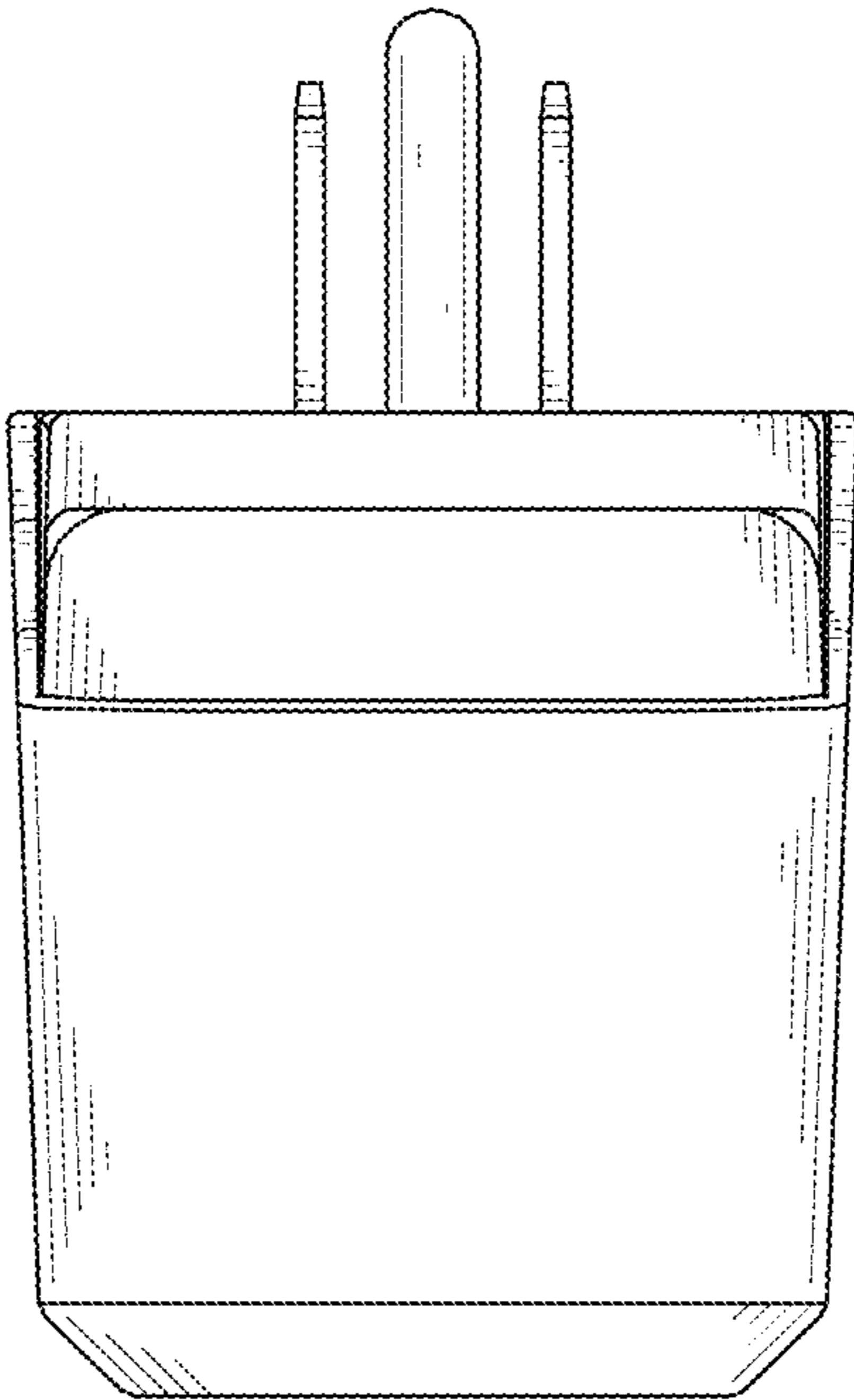


FIG. 5

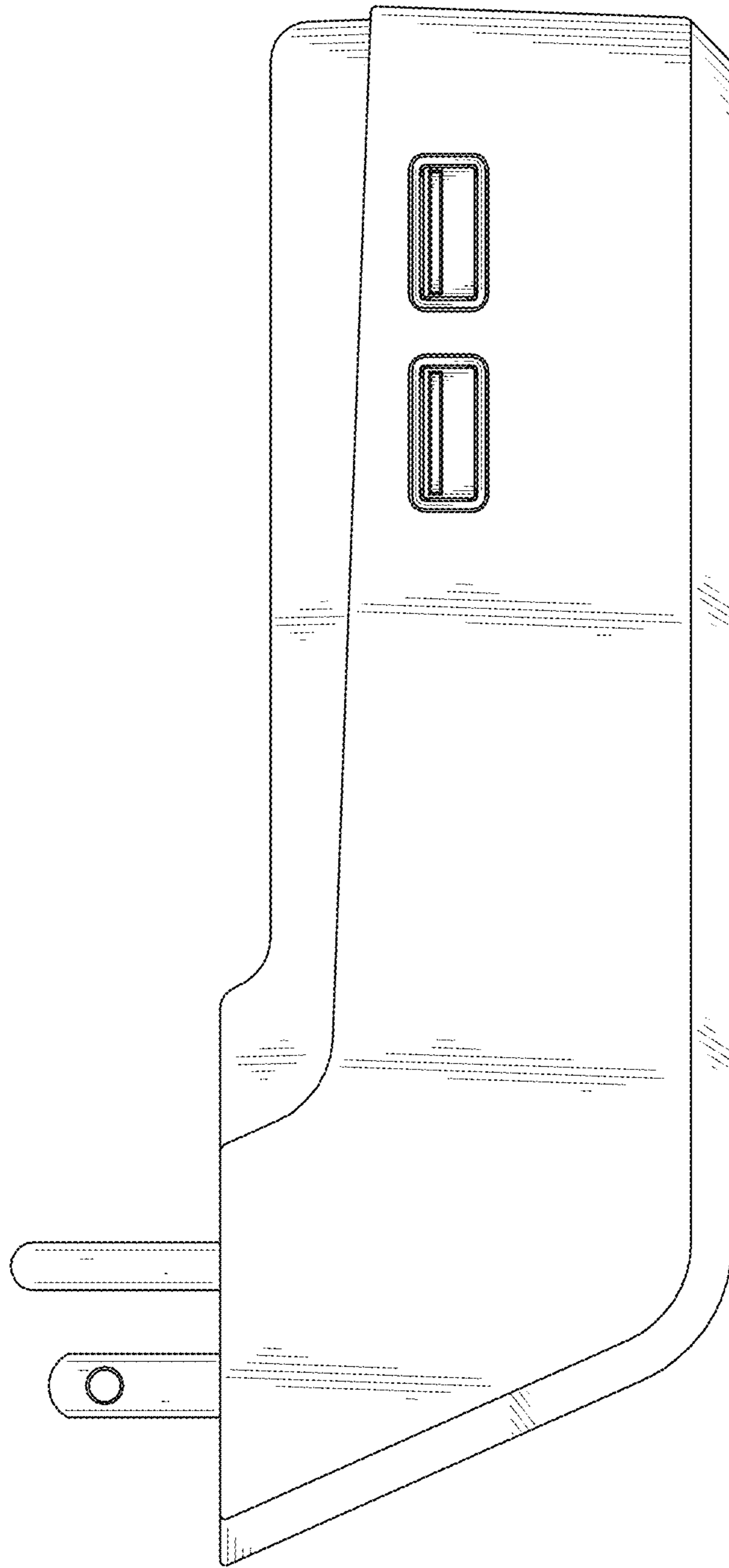


FIG. 6

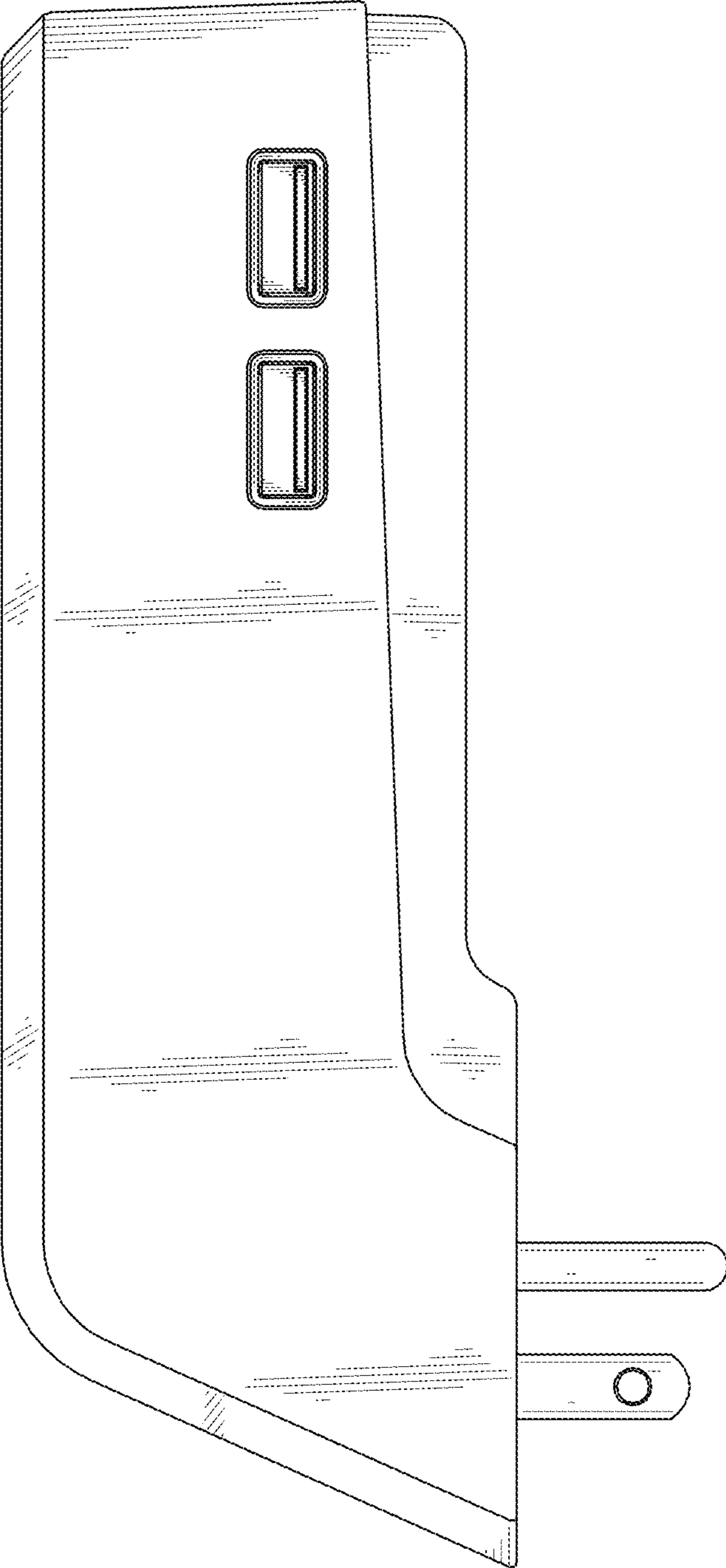


FIG. 7