



US00D775076S

(12) **United States Design Patent**  
**Tsai et al.**

(10) **Patent No.:** **US D775,076 S**

(45) **Date of Patent:** **\*\* Dec. 27, 2016**

(54) **POWER SUPPLY HOUSING**

(71) Applicant: **Chicony Power Technology Co., Ltd.**,  
New Taipei (TW)

(72) Inventors: **Hsien-Yi Tsai**, New Taipei (TW);  
**Chi-Hsien Weng**, New Taipei (TW);  
**Min-Chien Cheng**, New Taipei (TW)

(73) Assignee: **CHICONY POWER TECHNOLOGY**  
**CO., LTD.**, New Taipei (TW)

(\*\*) Term: **15 Years**

(21) Appl. No.: **29/540,426**

(22) Filed: **Sep. 24, 2015**

(51) **LOC (10) Cl.** ..... **13-03**

(52) **U.S. Cl.**  
USPC ..... **D13/137.1**

(58) **Field of Classification Search**  
USPC ... D13/139.6, 123, 108, 110, 152; D24/186;  
320/114, 111; 361/688  
CPC ..... A45F 5/00; H02J 7/0042; H05K 7/209  
See application file for complete search history.

(56) **References Cited**

**U.S. PATENT DOCUMENTS**

5,065,278 A \* 11/1991 Schultz ..... H05K 7/209  
361/688  
D355,887 S \* 2/1995 Rodeffer ..... D13/110

D415,996 S \* 11/1999 Colver ..... D13/118  
D552,030 S \* 10/2007 Wright ..... D13/110  
D656,098 S \* 3/2012 Wung ..... D13/110  
D665,348 S \* 8/2012 Ledbetter ..... D13/110  
D667,787 S \* 9/2012 Druker ..... D13/110  
D692,827 S \* 11/2013 Chen ..... D13/110  
D705,161 S \* 5/2014 Chen ..... D13/110  
D724,026 S \* 3/2015 Intravatora ..... D13/110

\* cited by examiner

*Primary Examiner* — Rhea Shields

(74) *Attorney, Agent, or Firm* — Chun-Ming Shih; HDLS  
IPR Services

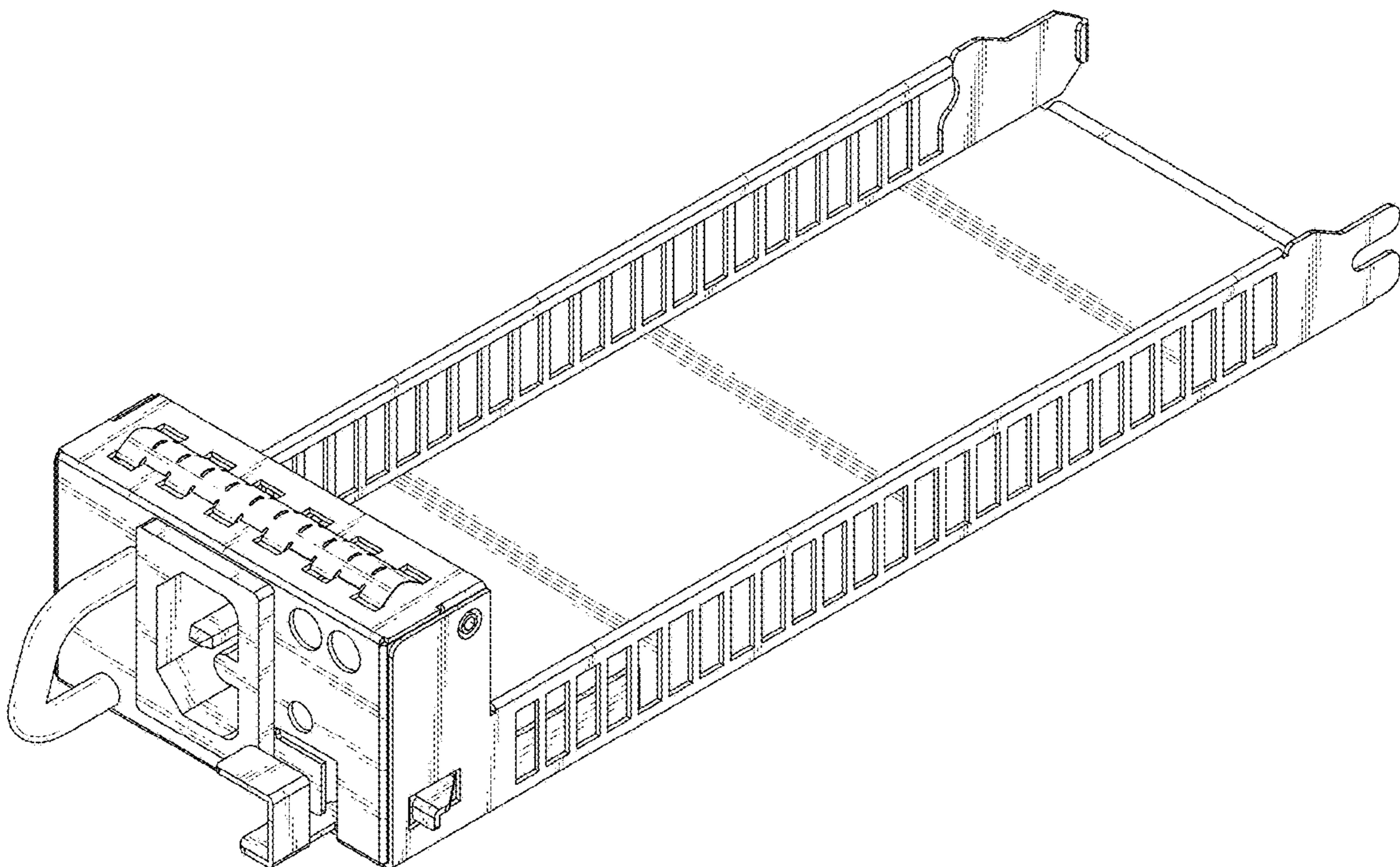
(57) **CLAIM**

The ornamental design for a power supply housing, as  
shown and described.

**DESCRIPTION**

FIG. 1 is a perspective view of a power supply housing  
showing our new design;  
FIG. 2 is a front view thereof;  
FIG. 3 is a rear view thereof;  
FIG. 4 is a left side view thereof;  
FIG. 5 is a right side view thereof;  
FIG. 6 is a top view thereof;  
FIG. 7 is a bottom view thereof ; and,  
FIG. 8 is the second perspective view showing the power  
supply housing.

**1 Claim, 7 Drawing Sheets**



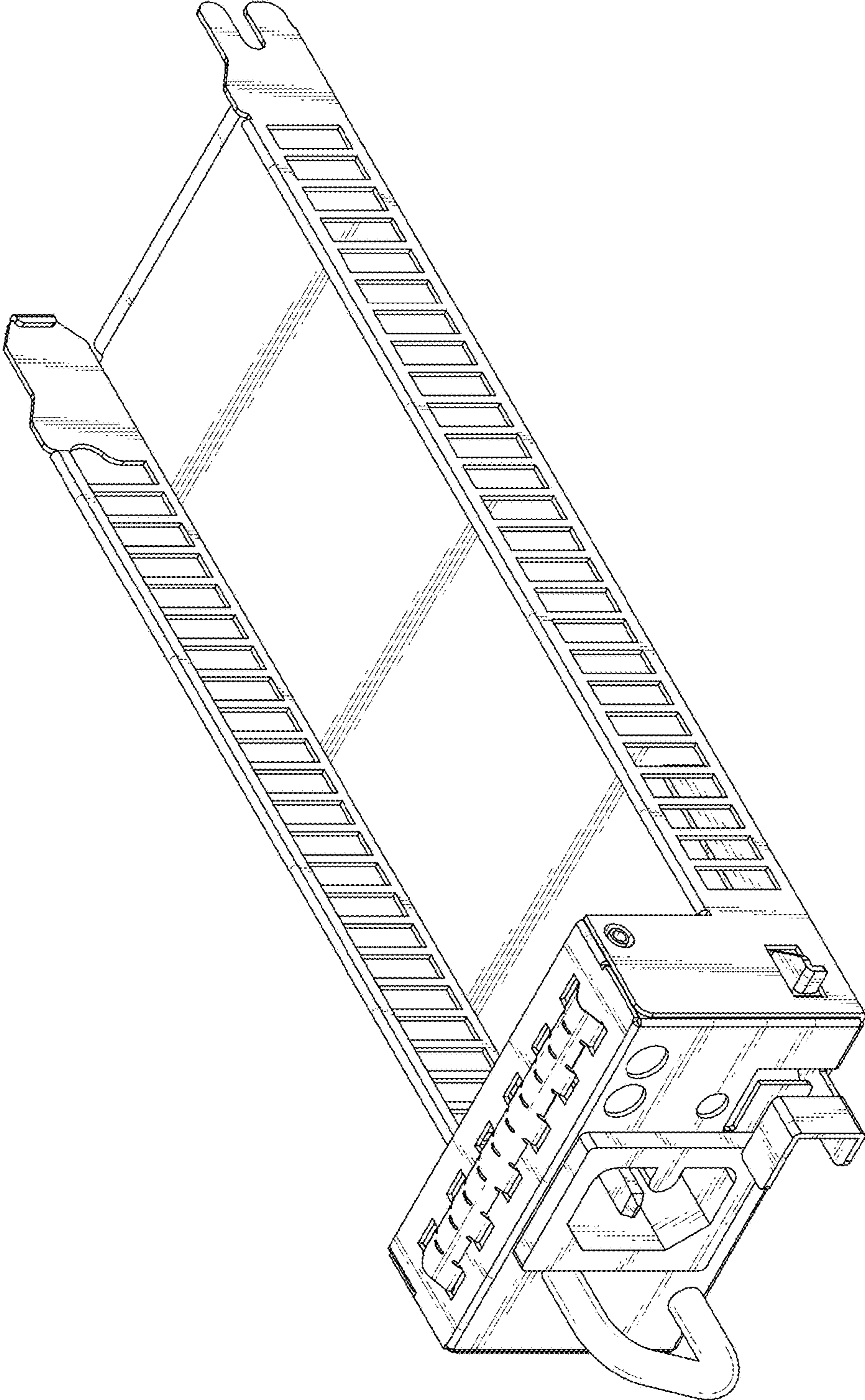


FIG.1

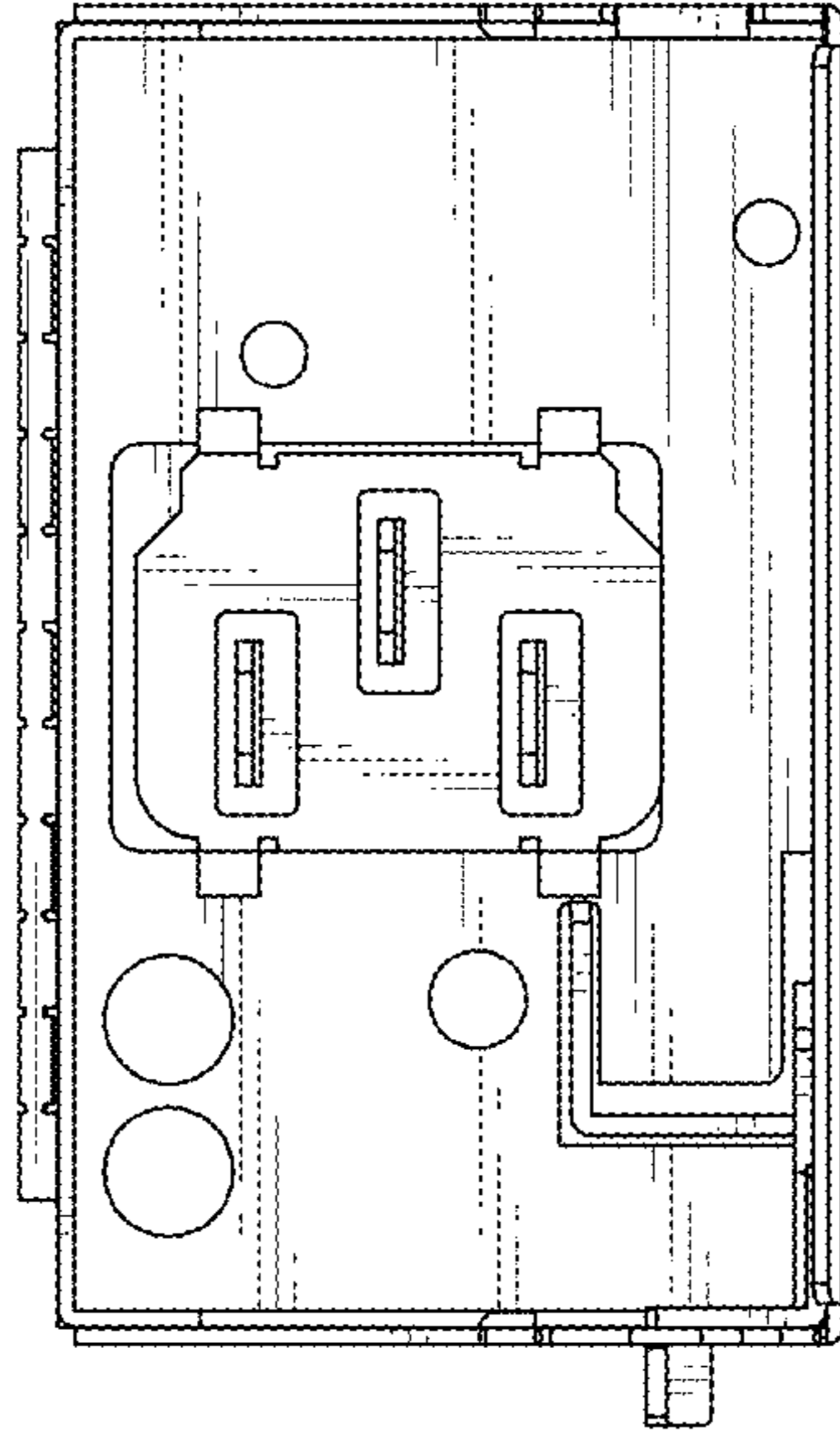


FIG.2

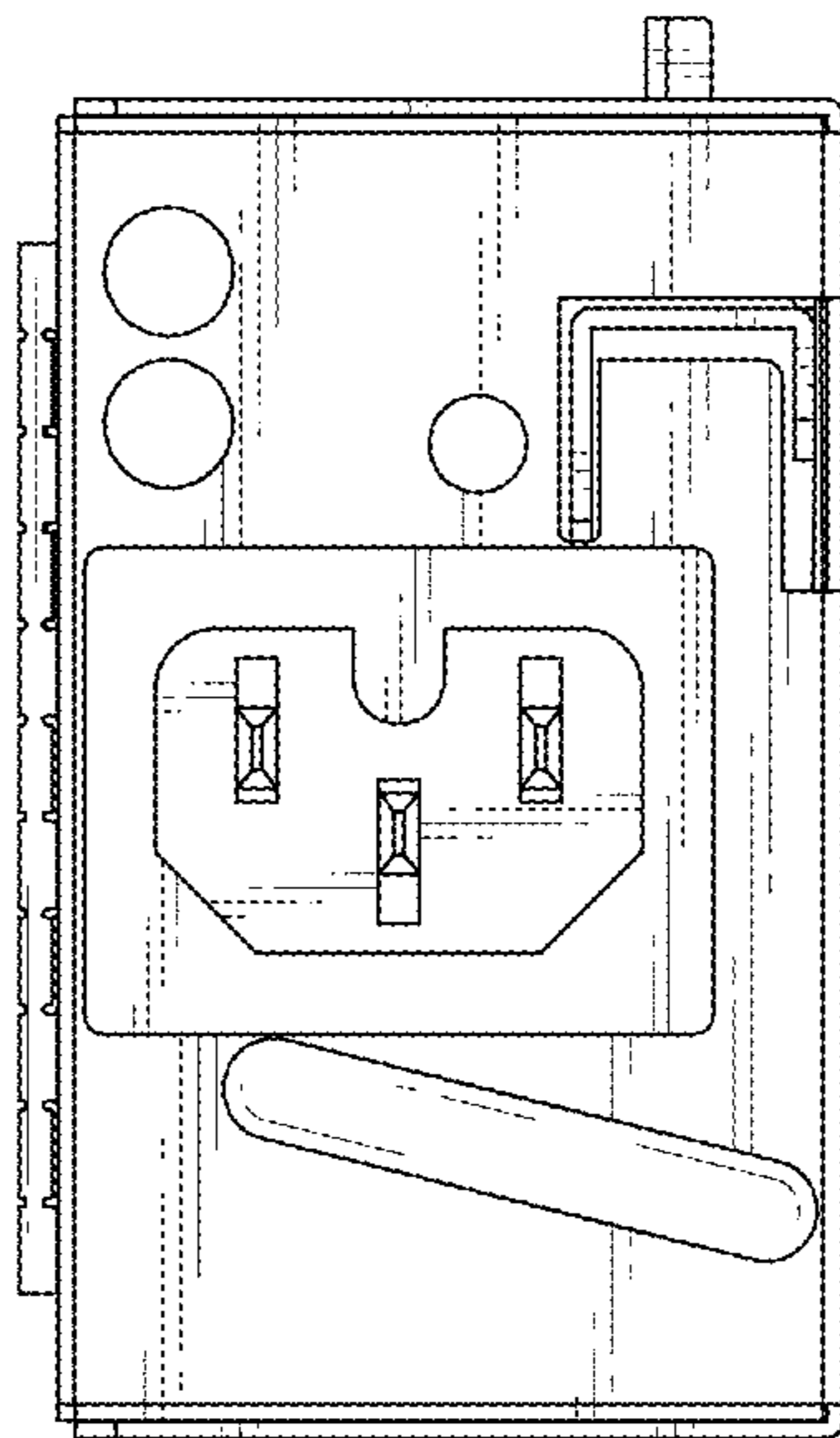


FIG.3

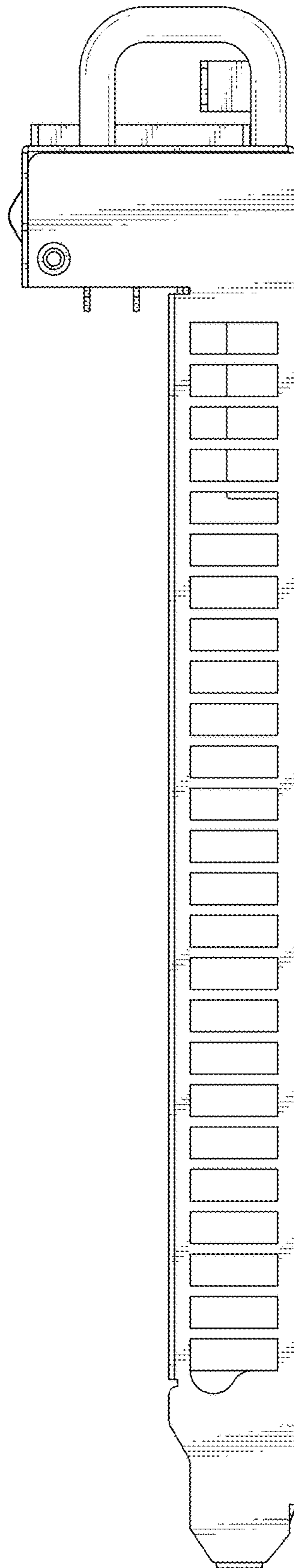


FIG.4

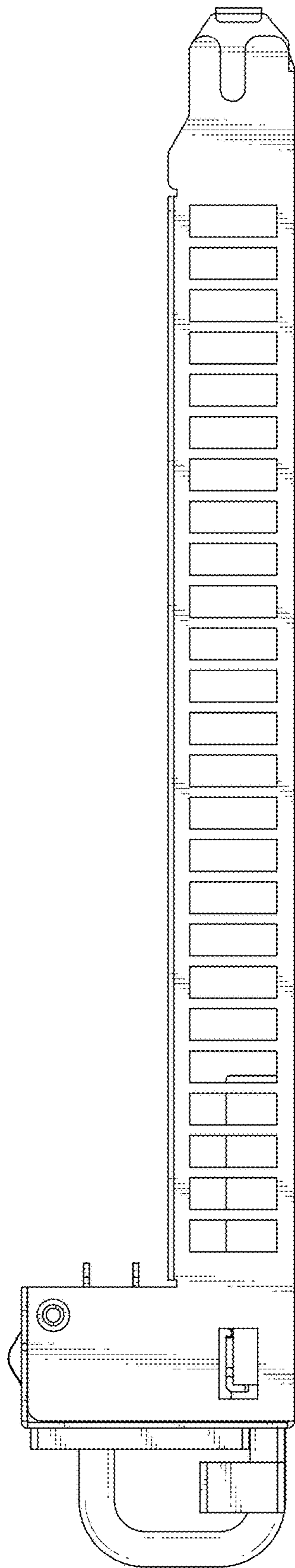


FIG.5

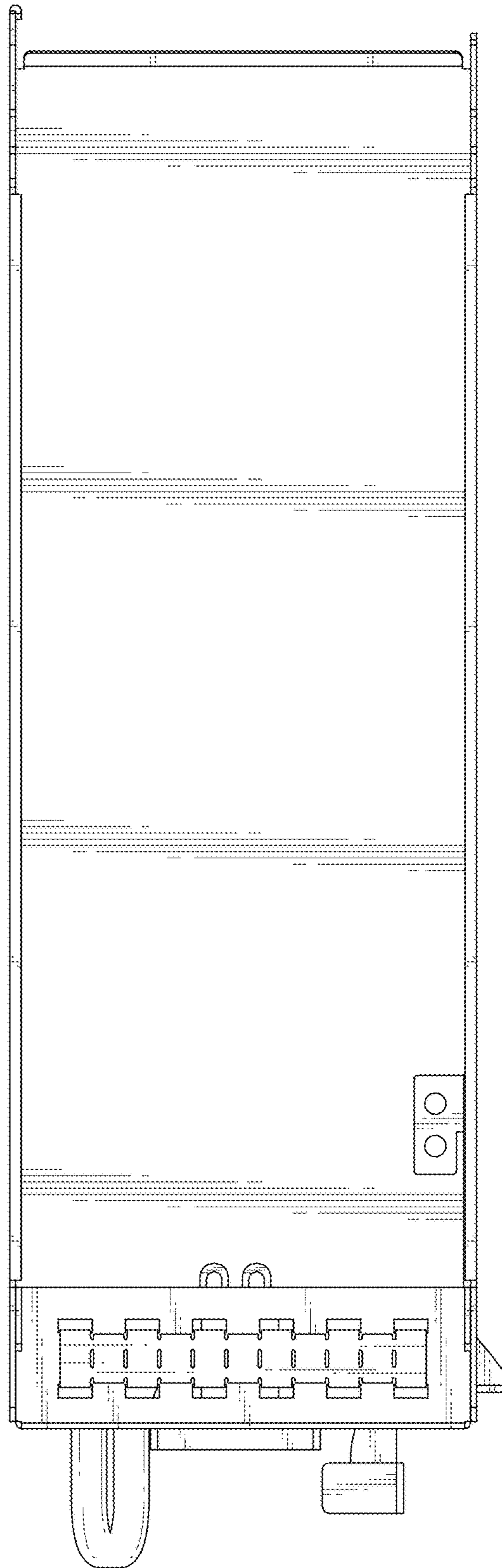


FIG.6

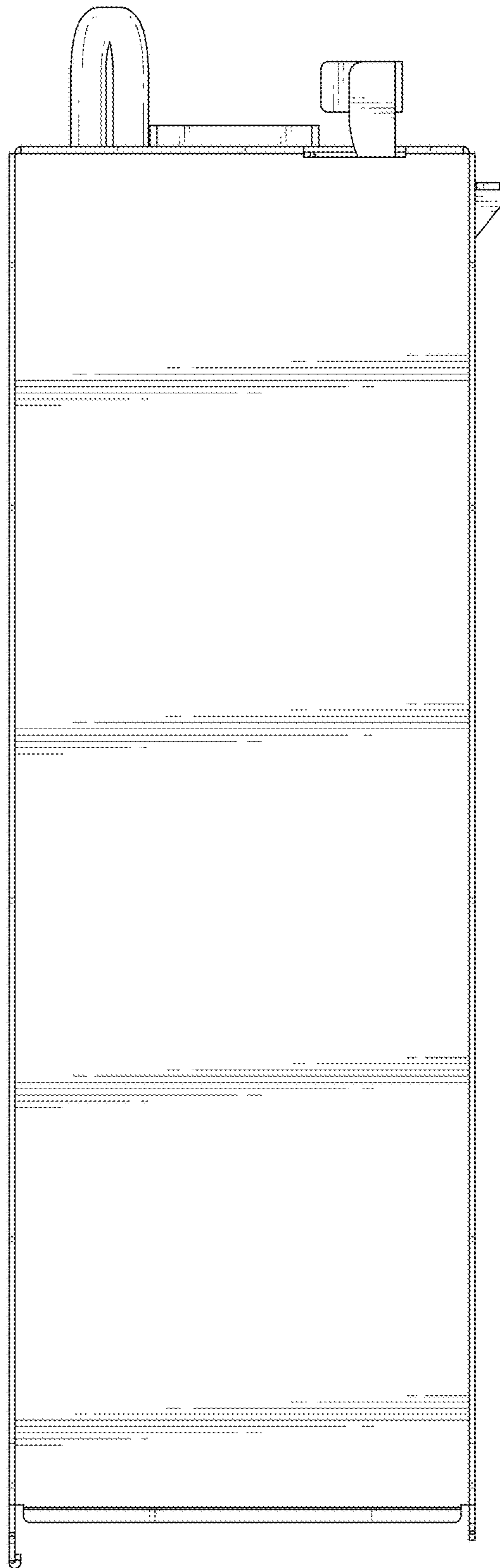


FIG.7

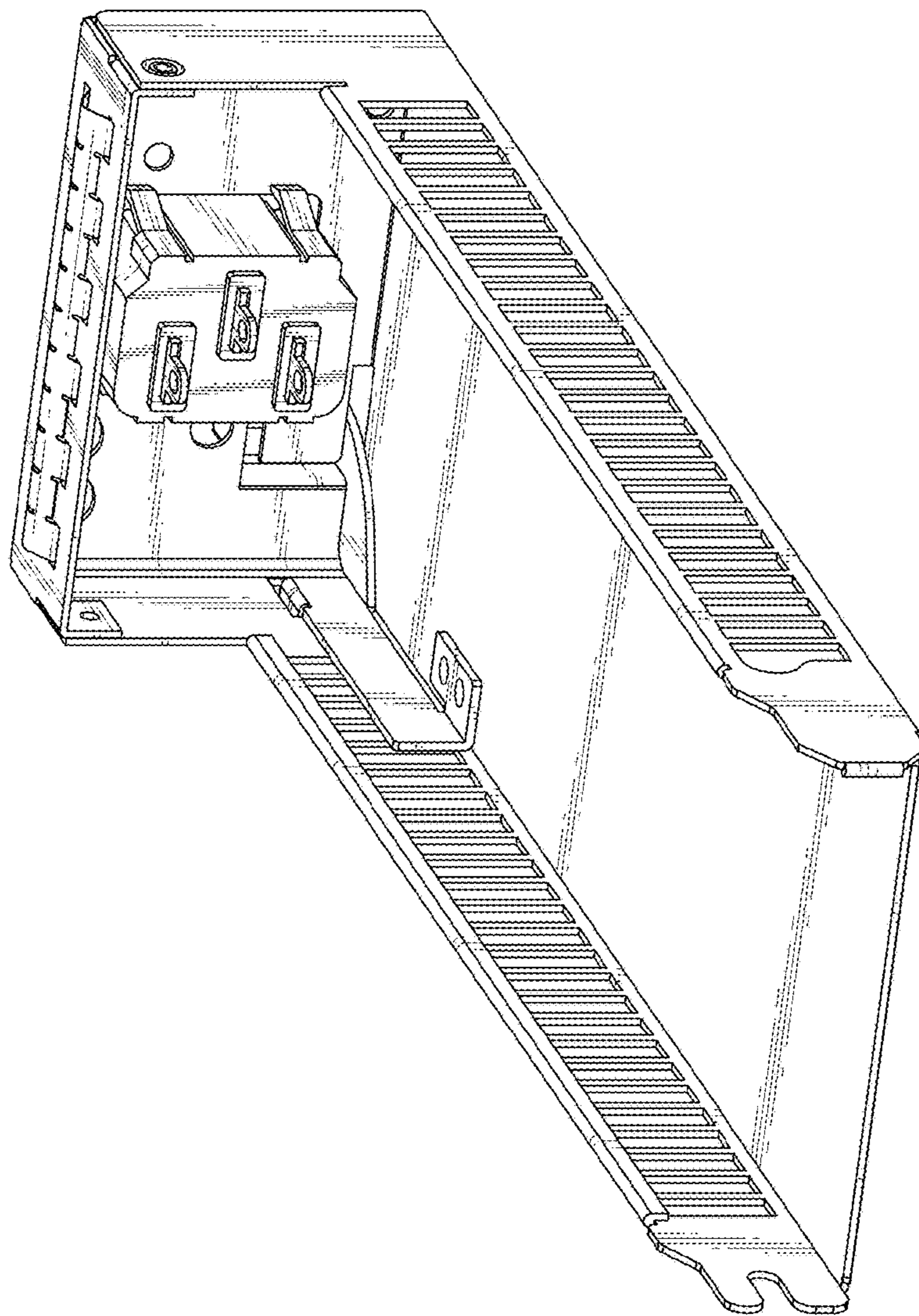


FIG.8