



US00D775074S

(12) **United States Design Patent**
Barnes

(10) **Patent No.:** **US D775,074 S**

(45) **Date of Patent:** **** Dec. 27, 2016**

(54) **EXCITER CAP**

(71) Applicant: **Ronald C. Barnes**, Roseville, CA (US)

(72) Inventor: **Ronald C. Barnes**, Roseville, CA (US)

(**) Term: **15 Years**

(21) Appl. No.: **29/535,185**

(22) Filed: **Aug. 4, 2015**

(51) **LOC (10) Cl.** **13-01**

(52) **U.S. Cl.**
USPC **D13/122**

(58) **Field of Classification Search**

USPC D13/112, 113, 114, 122, 199; D15/3, 5,
D15/199; 74/606 R, 609; 310/10, 40 R,
310/42, 51, 58, 71, 80, 83, 85, 89, 91,
310/109, 236, 239, 254; 318/245, 255
CPC H02K 5/04; H02K 5/10; H02K 5/22;
H02K 5/148; H02K 29/14; H02K
2205/03; H02K 3/522; H02K
7/085; H02P 6/06; F28F 1/20

See application file for complete search history.

(56) **References Cited**

U.S. PATENT DOCUMENTS

D173,547 S * 11/1954 Sundberg D13/112
D268,022 S * 2/1983 Lenz D13/122
D294,141 S * 2/1988 Ueda D13/112
D360,615 S * 7/1995 Sakashita D13/112

D567,177 S * 4/2008 Chan D13/122
D611,410 S * 3/2010 Sturm D13/112
7,813,111 B2 * 10/2010 Anderson F21V 23/026
361/173
D709,450 S * 7/2014 Tanabe D13/112

* cited by examiner

Primary Examiner — Derrick Holland

(74) *Attorney, Agent, or Firm* — Heisler & Associates

(57) **CLAIM**

The ornamental design for an exciter cap, as shown and described.

DESCRIPTION

FIG. 1 is a top perspective view of an exciter cap showing my new design;

FIG. 2 is a bottom perspective view thereof;

FIG. 3 is a front elevation view thereof; the rear elevation being a mirror image;

FIG. 4 is a top plan view thereof;

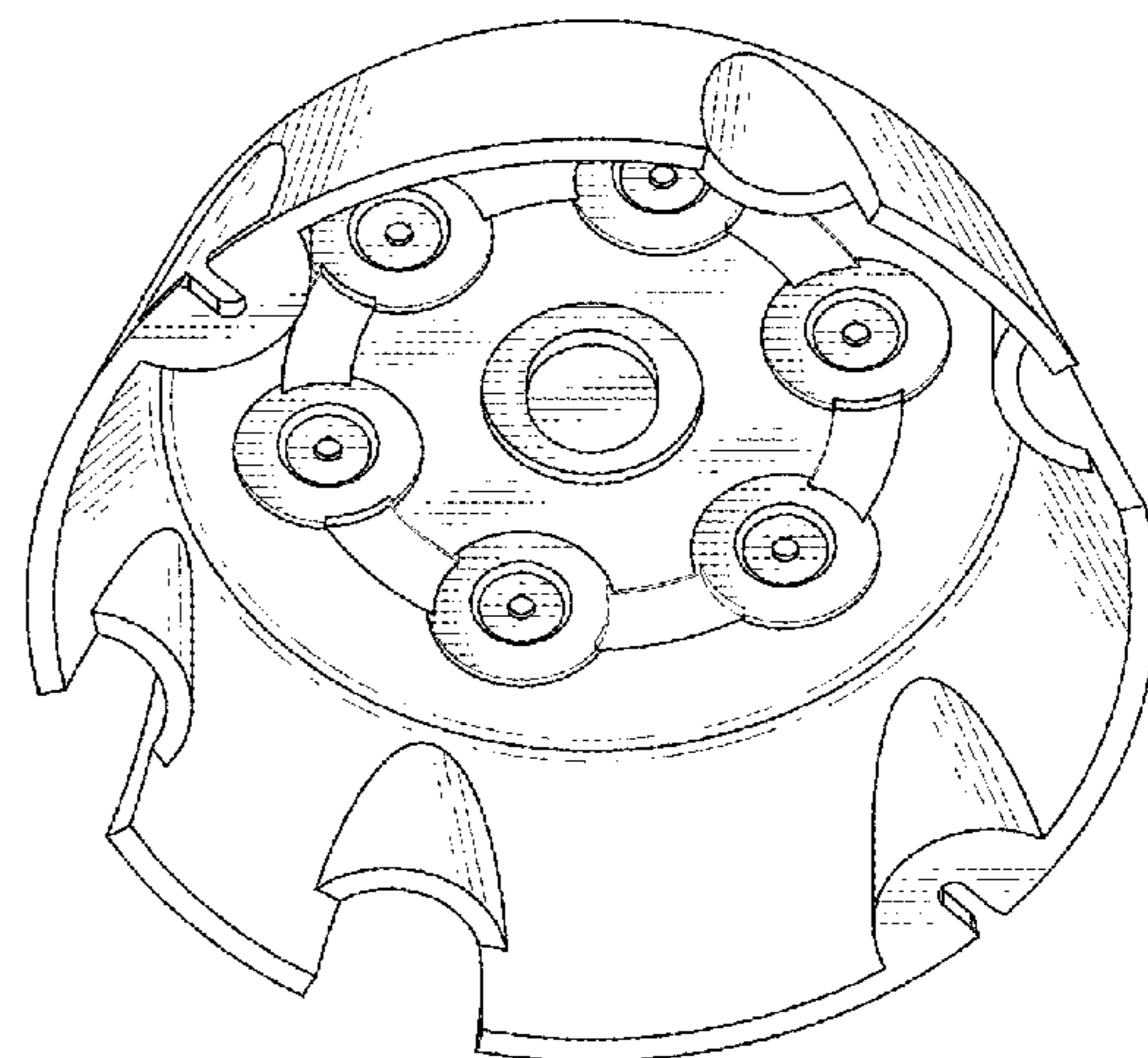
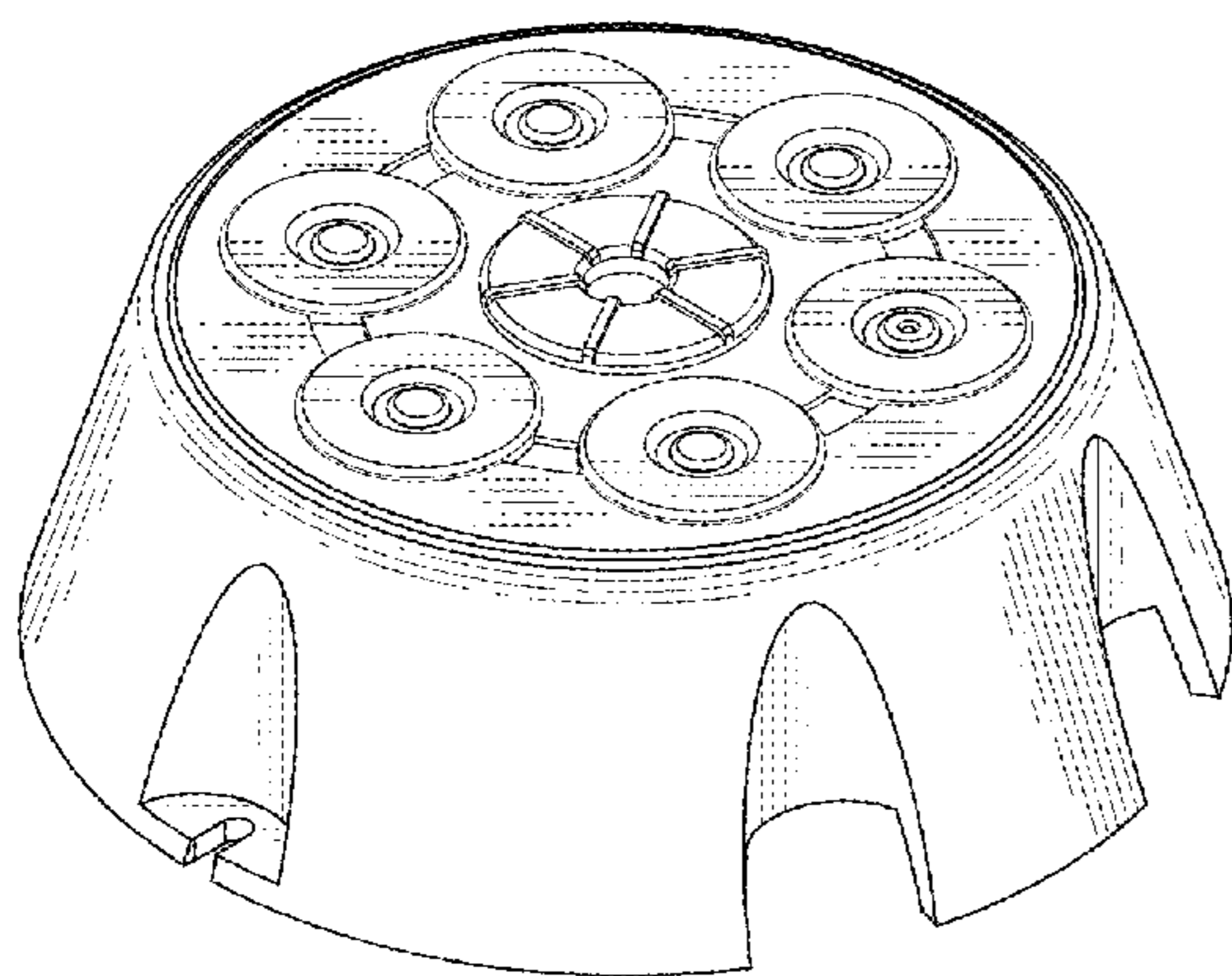
FIG. 5 is a side elevation view thereof, the opposite side being a mirror image;

FIG. 6 is a bottom plan view thereof; and,

FIG. 7 is a perspective view thereof, shown in environmental use.

The broken lines in the drawings represent unclaimed environmental subject matter and form no part of the claim.

1 Claim, 3 Drawing Sheets



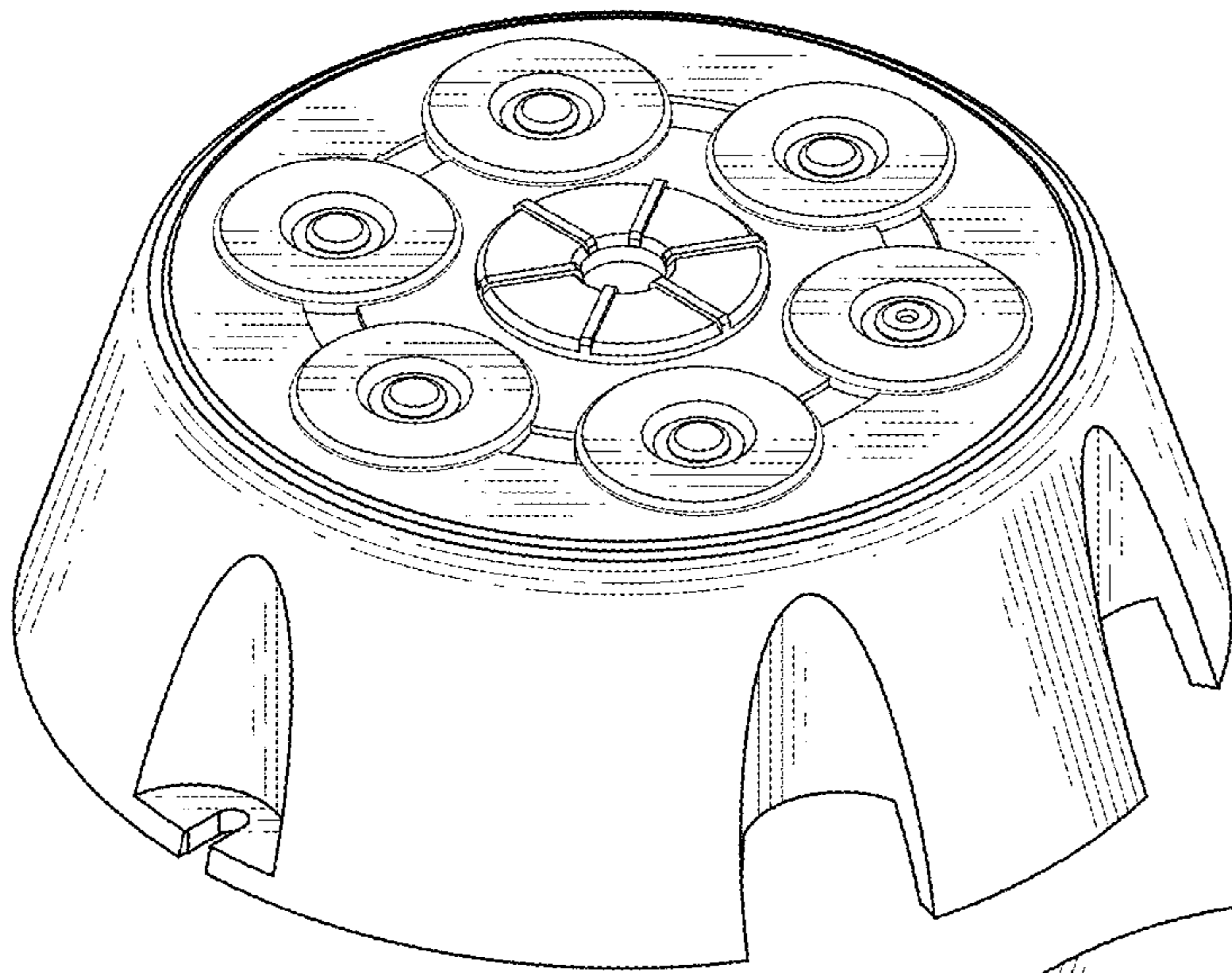


Fig. 1

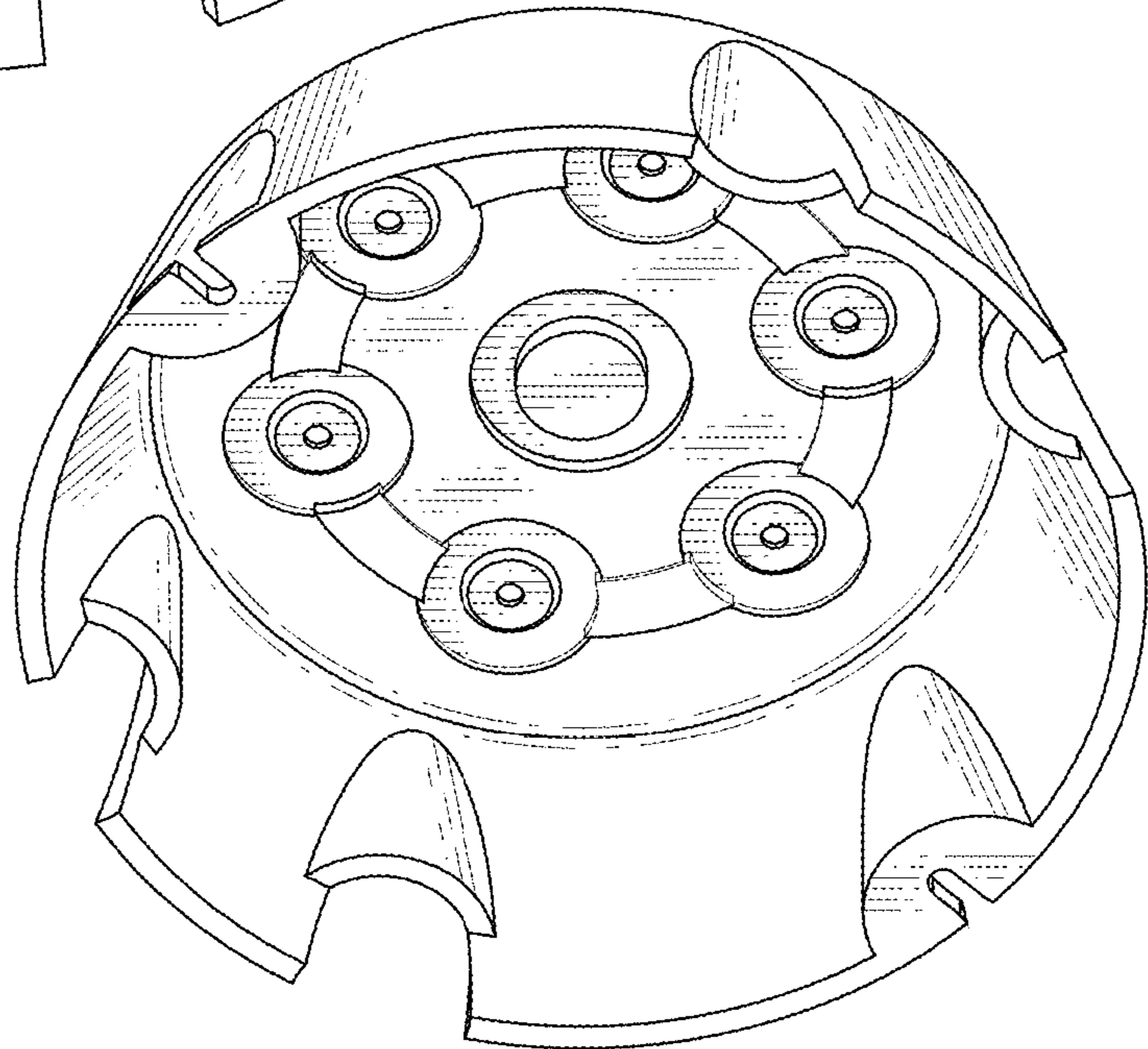


Fig. 2

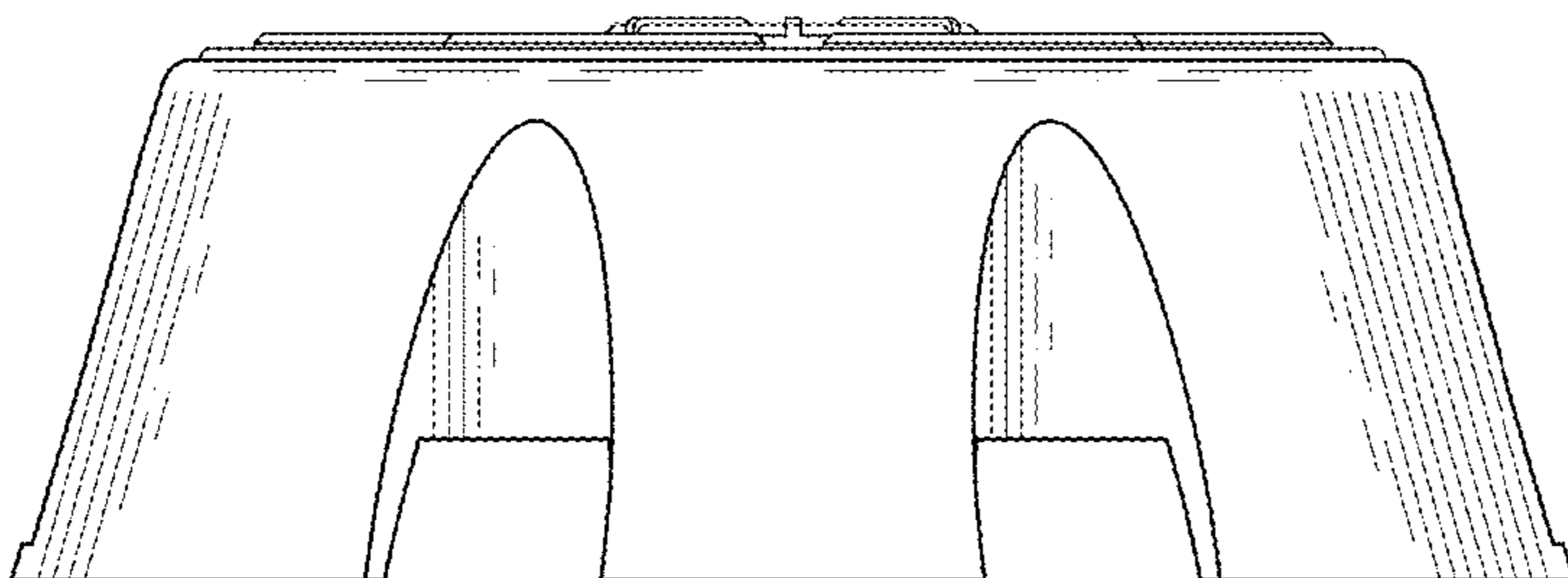


Fig. 3

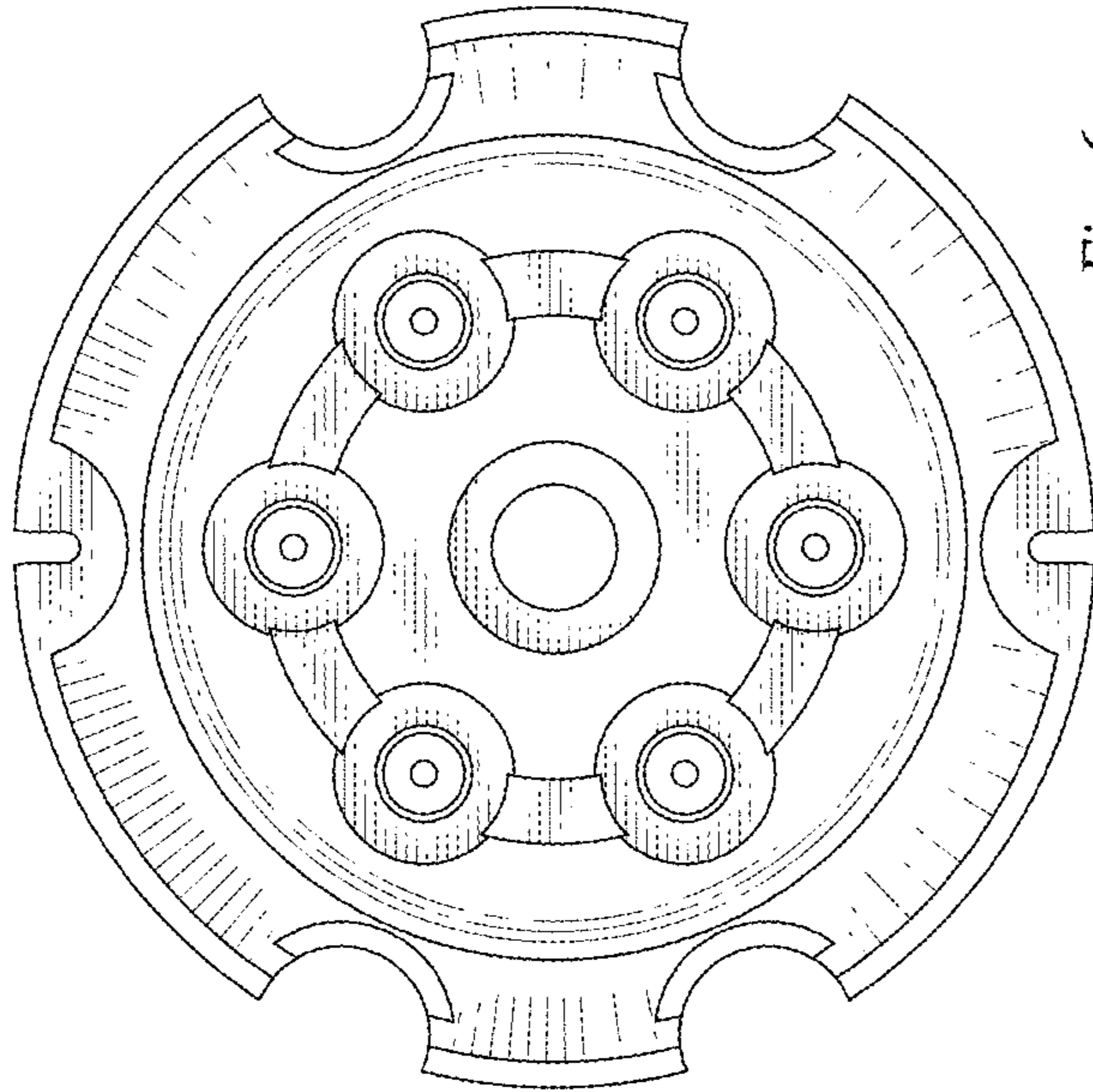


Fig. 6

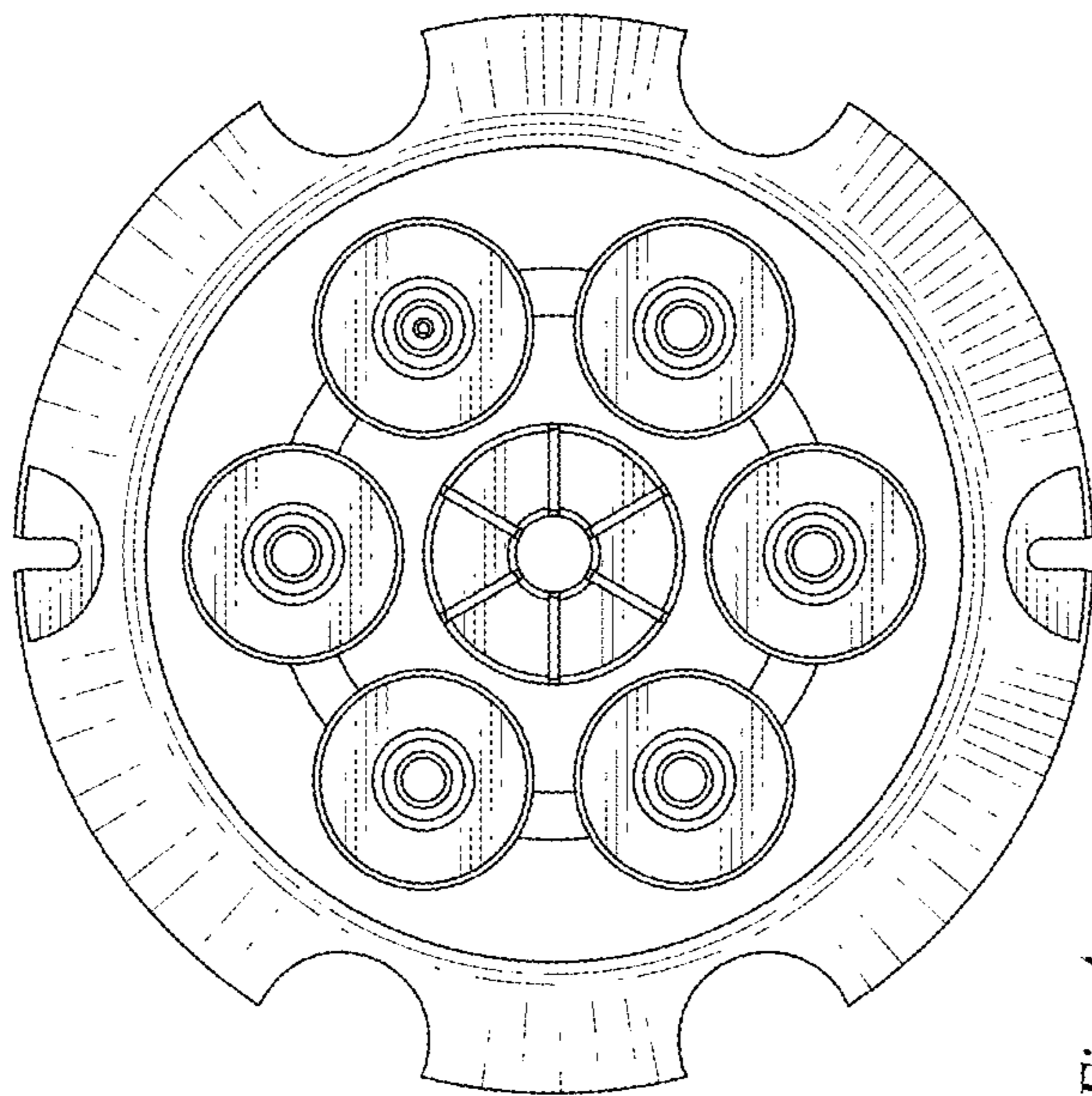


Fig. 4

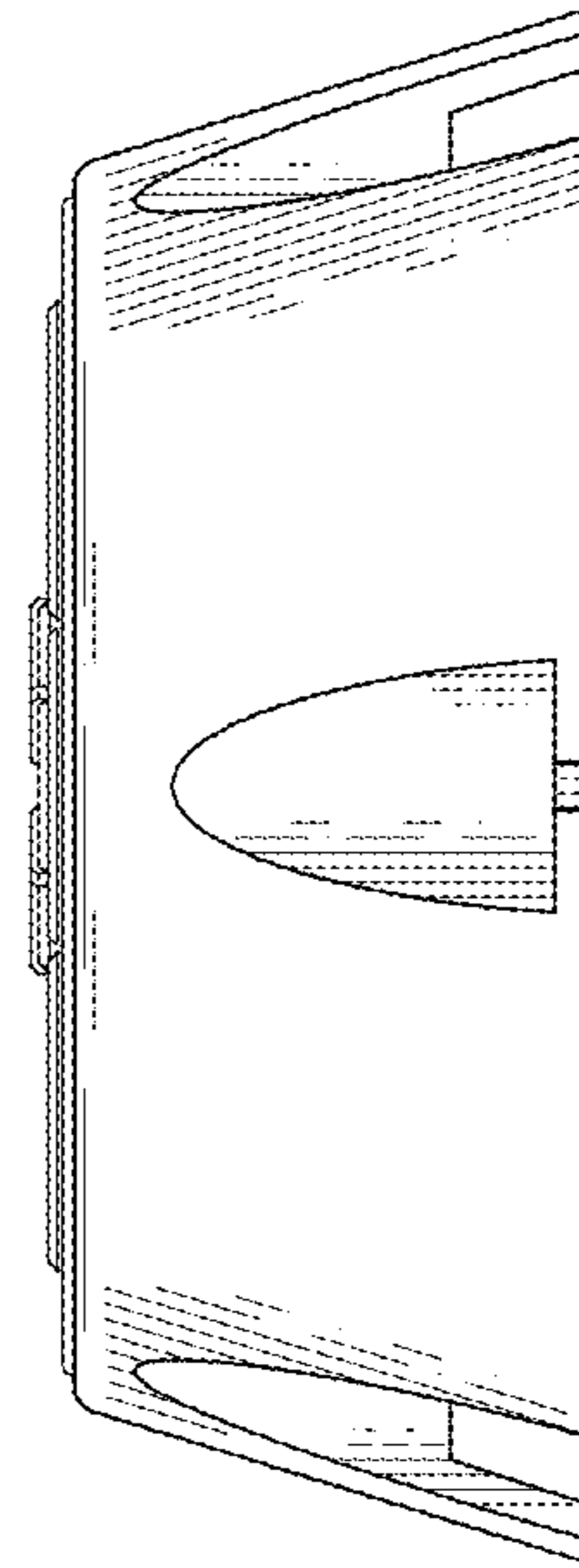


Fig. 5

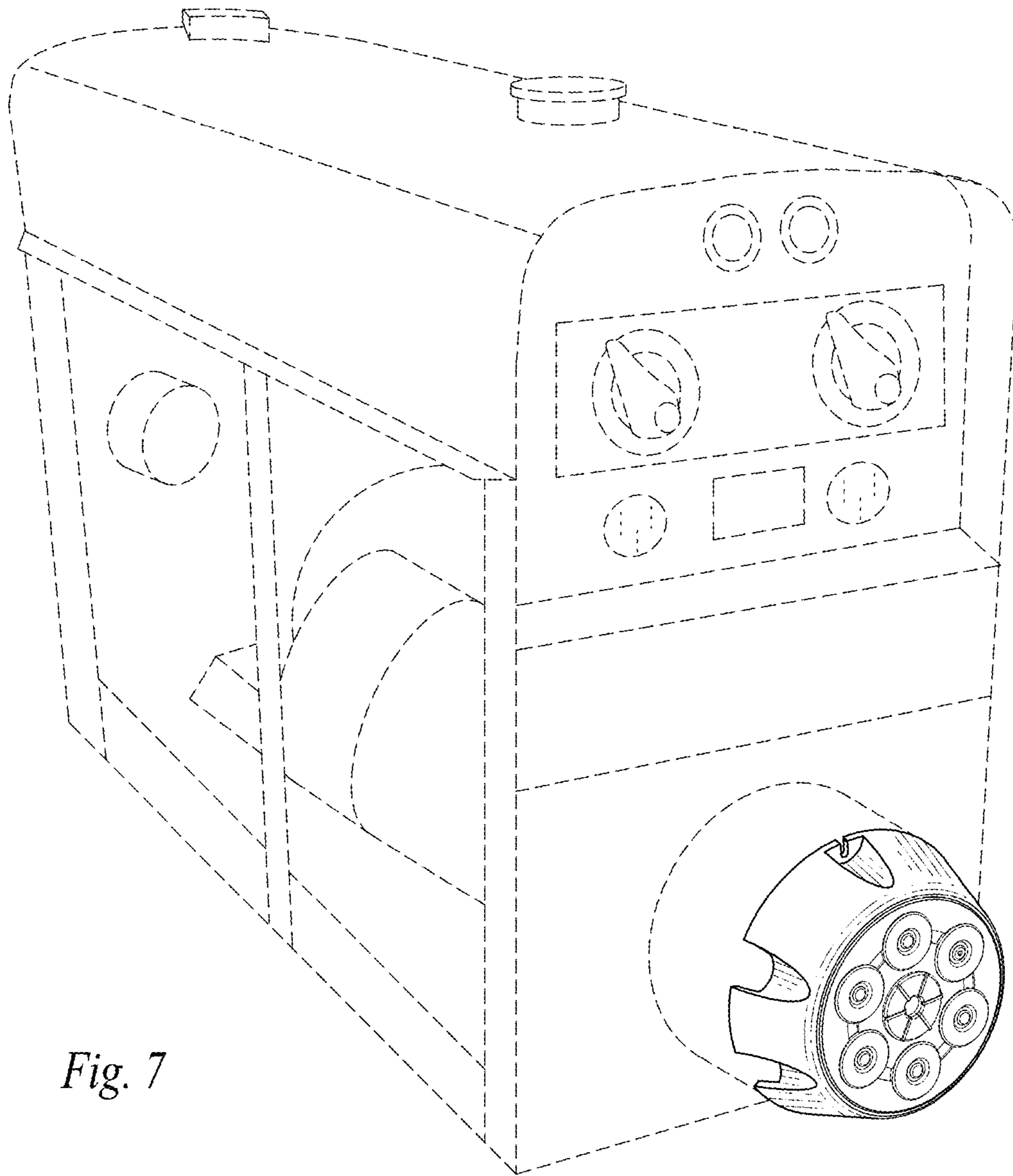


Fig. 7