



US00D775073S

(12) **United States Design Patent** (10) **Patent No.:** **US D775,073 S**
Oshiba et al. (45) **Date of Patent:** **** Dec. 27, 2016**

(54) **BATTERY MODULE**

(71) Applicant: **GS Yuasa International Ltd.**, Kyoto (JP)

(72) Inventors: **Masashi Oshiba**, Kyoto (JP); **Hiroyasu Koyama**, Kyoto (JP); **Kazuya Fujisawa**, Kyoto (JP); **Yuta Mizukawa**, Kyoto (JP)

(73) Assignee: **GS Yuasa International Ltd.**, Kyoto (JP)

(**) Term: **14 Years**

(21) Appl. No.: **29/513,834**

(22) Filed: **Jan. 6, 2015**

(30) **Foreign Application Priority Data**

Jul. 11, 2014 (JP) 2014-015194

(51) **LOC (10) Cl.** **13-02**

(52) **U.S. Cl.**
USPC **D13/119**

(58) **Field of Classification Search**
USPC D13/103, 104, 133, 110, 119, 120, 107, D13/156; 429/175, 159, 151
CPC . H01R 13/641; H01M 2/1027; H01M 2/1022; H01M 2/1072; H01M 2/105; H01M 2/1077; H02B 1/20
See application file for complete search history.

(56) **References Cited**

U.S. PATENT DOCUMENTS

D418,807 S *	1/2000	Suzuki	D13/104
D469,059 S *	1/2003	Ando	D13/110
D486,789 S *	2/2004	Santiago	D13/103
D562,765 S *	2/2008	Tsuzuki	D13/110
D622,213 S *	8/2010	Nomi	D13/103

D635,508 S *	4/2011	Seyama	D13/104
D657,739 S *	4/2012	Miyawaki	D13/104
D658,579 S *	5/2012	Miyawaki	D13/104
D685,726 S *	7/2013	Kaneshige	D13/103
D699,678 S *	2/2014	Miyawaki	D13/119
D713,337 S *	9/2014	Hakala	D13/110
D725,038 S *	3/2015	Nemoto	D13/119
D750,557 S *	3/2016	Yamachi	D13/103

(Continued)

Primary Examiner — Derrick Holland

Assistant Examiner — Jennifer O King

(74) *Attorney, Agent, or Firm* — Capitol City TechLaw

(57) **CLAIM**

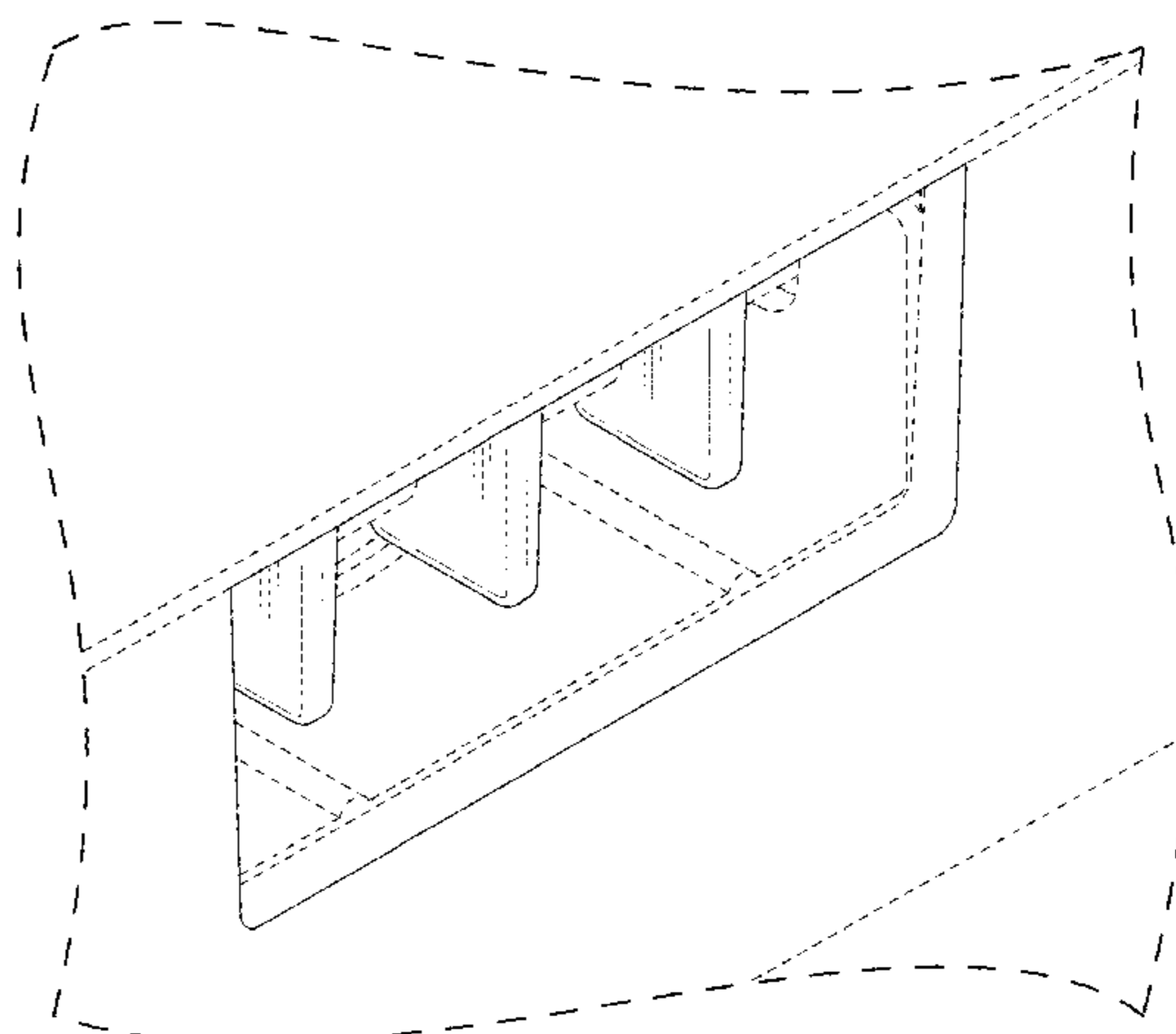
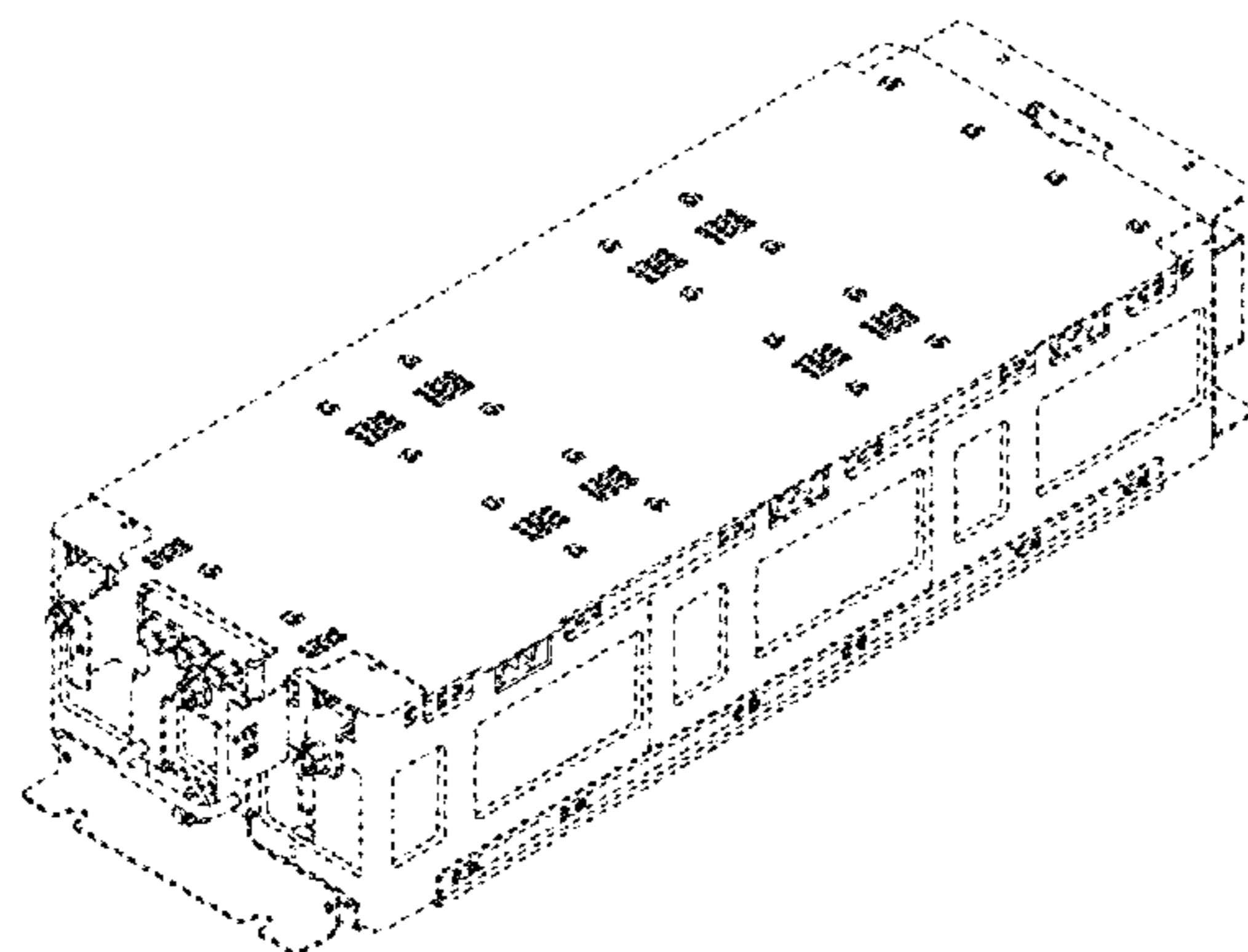
The ornamental design for a battery module, as shown and described.

DESCRIPTION

FIG. 1 is a front, top, and left side perspective view of a battery module showing our new design;
 FIG. 2 is a rear, bottom, and right side perspective view thereof;
 FIG. 3 is a front view thereof;
 FIG. 4 is a rear view thereof;
 FIG. 5 is a top view thereof;
 FIG. 6 is a bottom view thereof;
 FIG. 7 is a right side view thereof;
 FIG. 8 is a left side view thereof;
 FIG. 9 is an enlarged partial view of the battery module as shown in FIG. 1;
 FIG. 10 is an enlarged partial view of the battery module as shown in FIG. 2;
 FIG. 11 is an enlarged partial view of the battery module as shown in FIG. 3; and,
 FIG. 12 is an enlarged partial view of the battery module as shown in FIG. 4.

The broken lines shown represent unclaimed subject matter and form no part of the claimed design.

1 Claim, 12 Drawing Sheets



(56)

References Cited

U.S. PATENT DOCUMENTS

2014/0030563 A1* 1/2014 Hoshi H01M 2/1077
429/72
2014/0370353 A1* 12/2014 Oshiba H01M 2/1077
429/120

* cited by examiner

FIG. 1

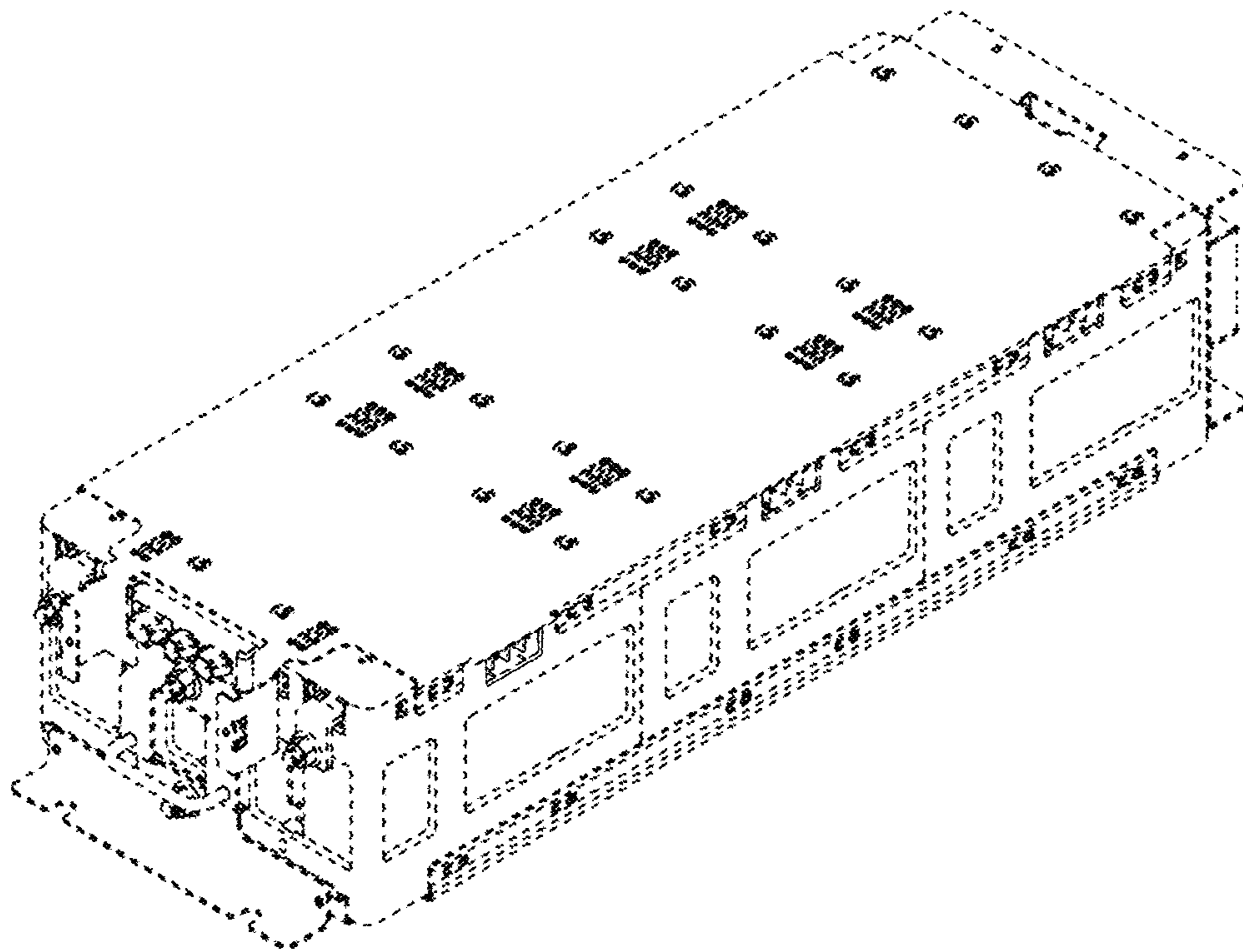


FIG.2

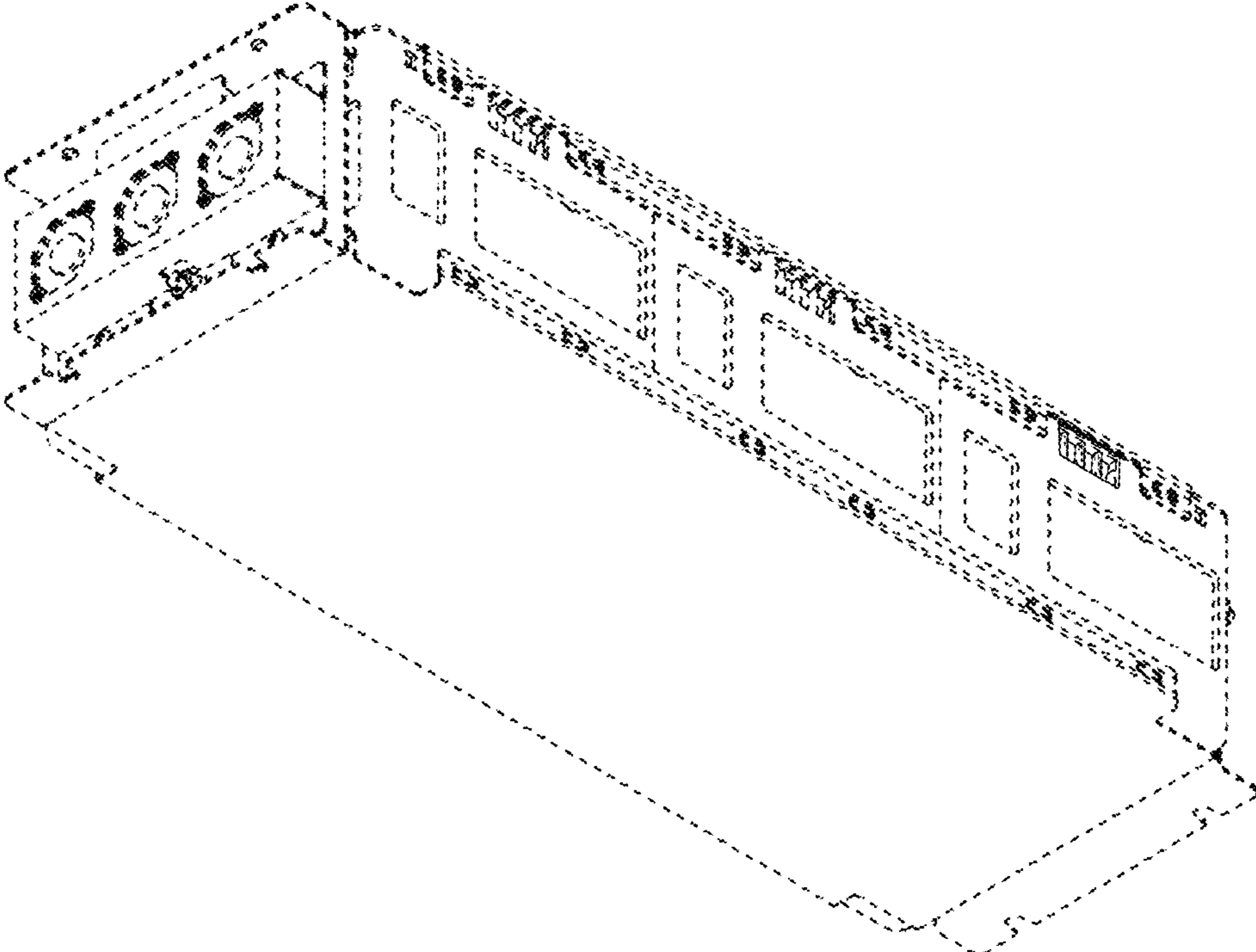


FIG.3

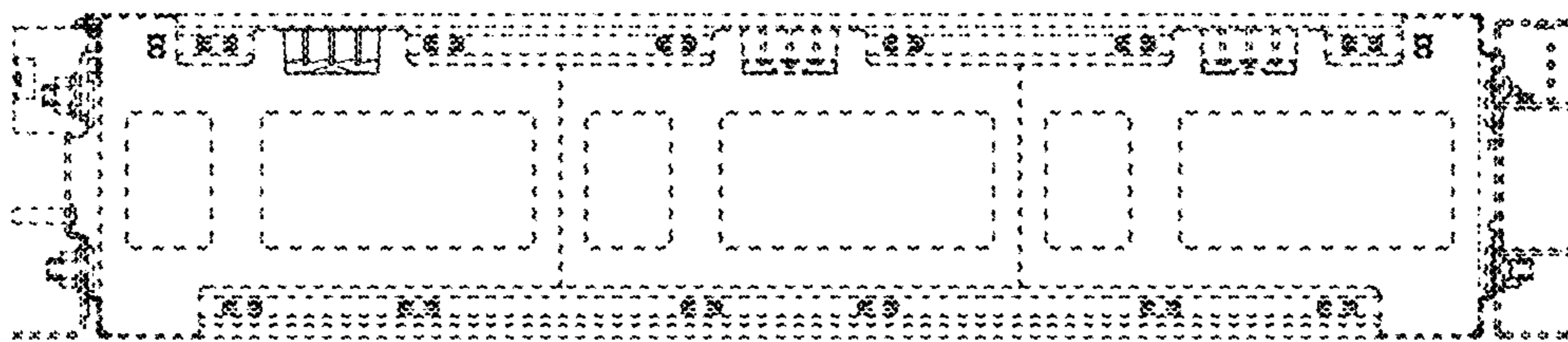


FIG.4

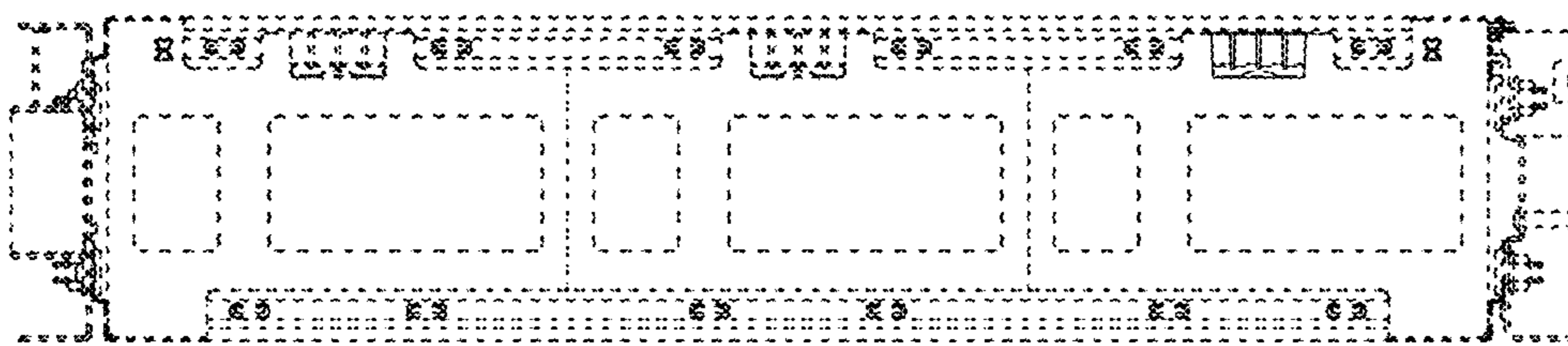


FIG.5

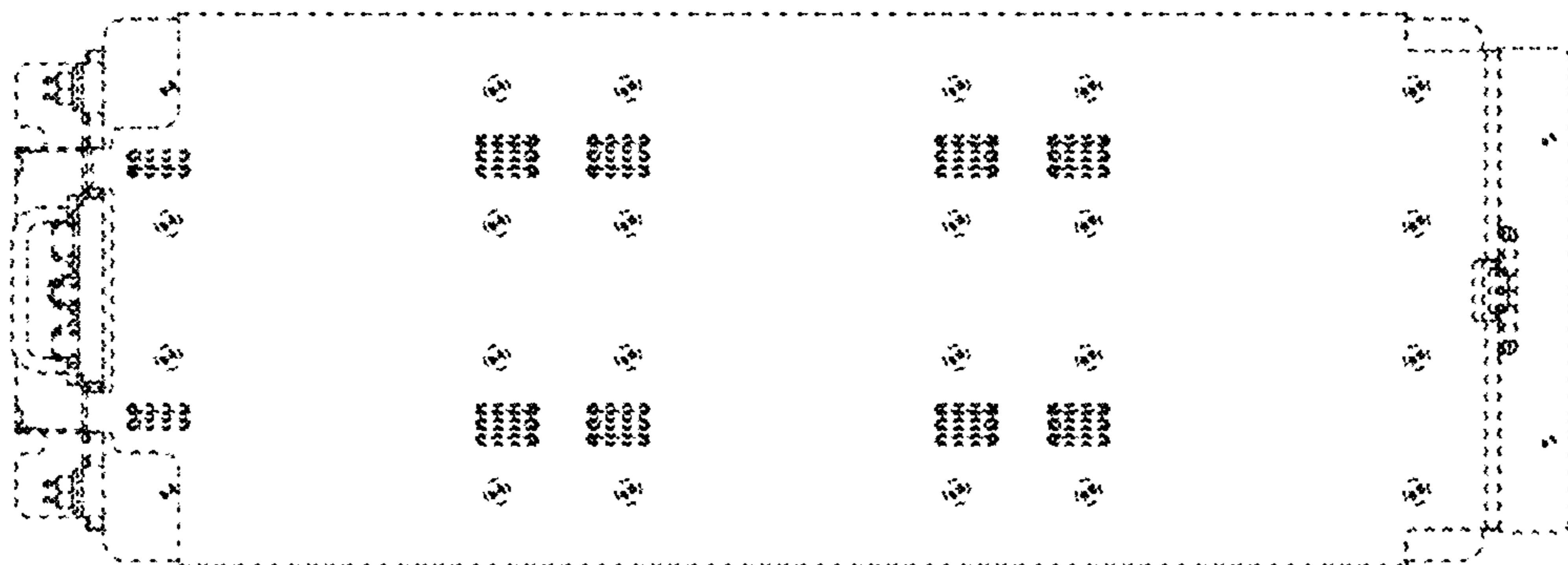


FIG.6



FIG. 7

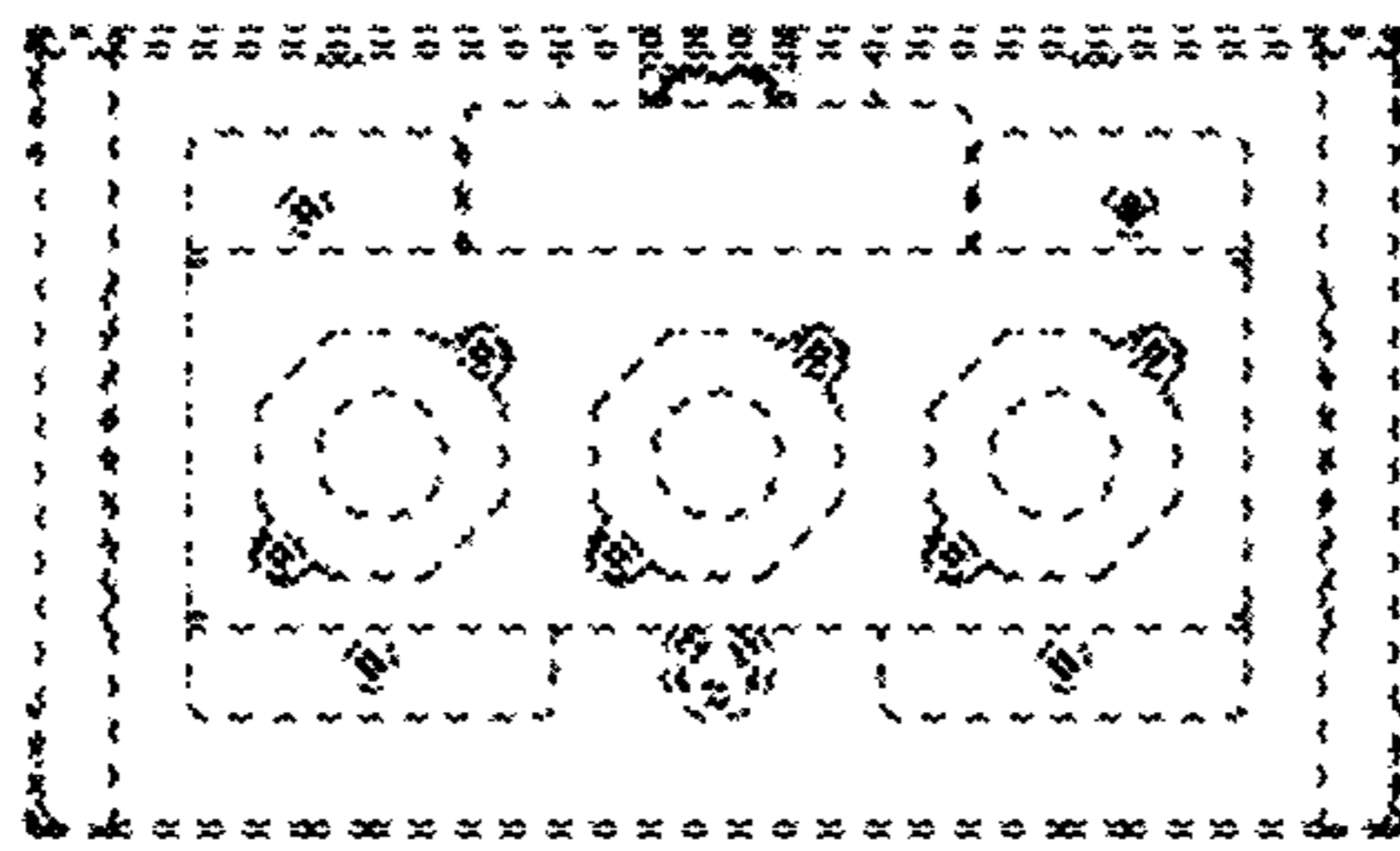


FIG.8

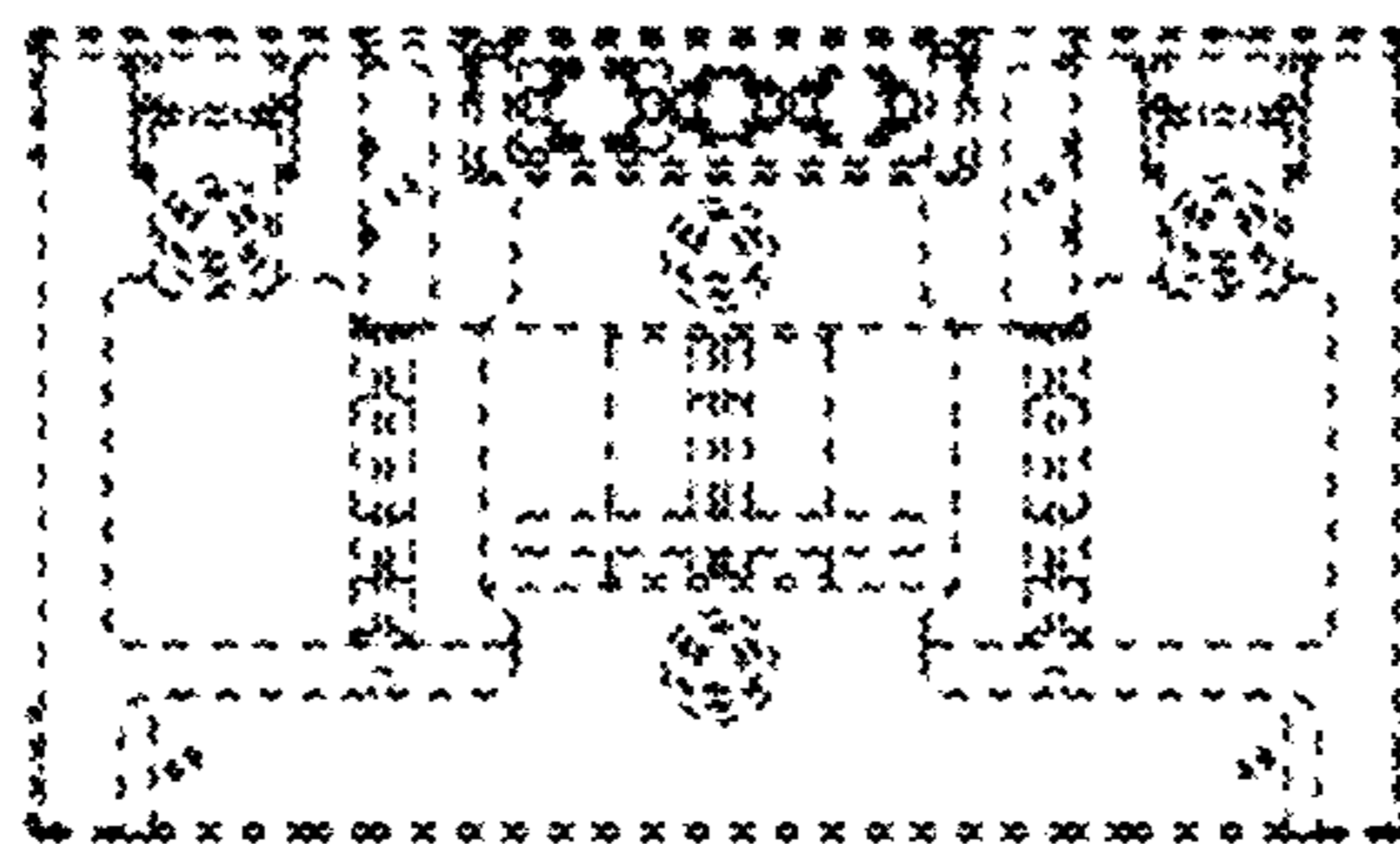


FIG.9

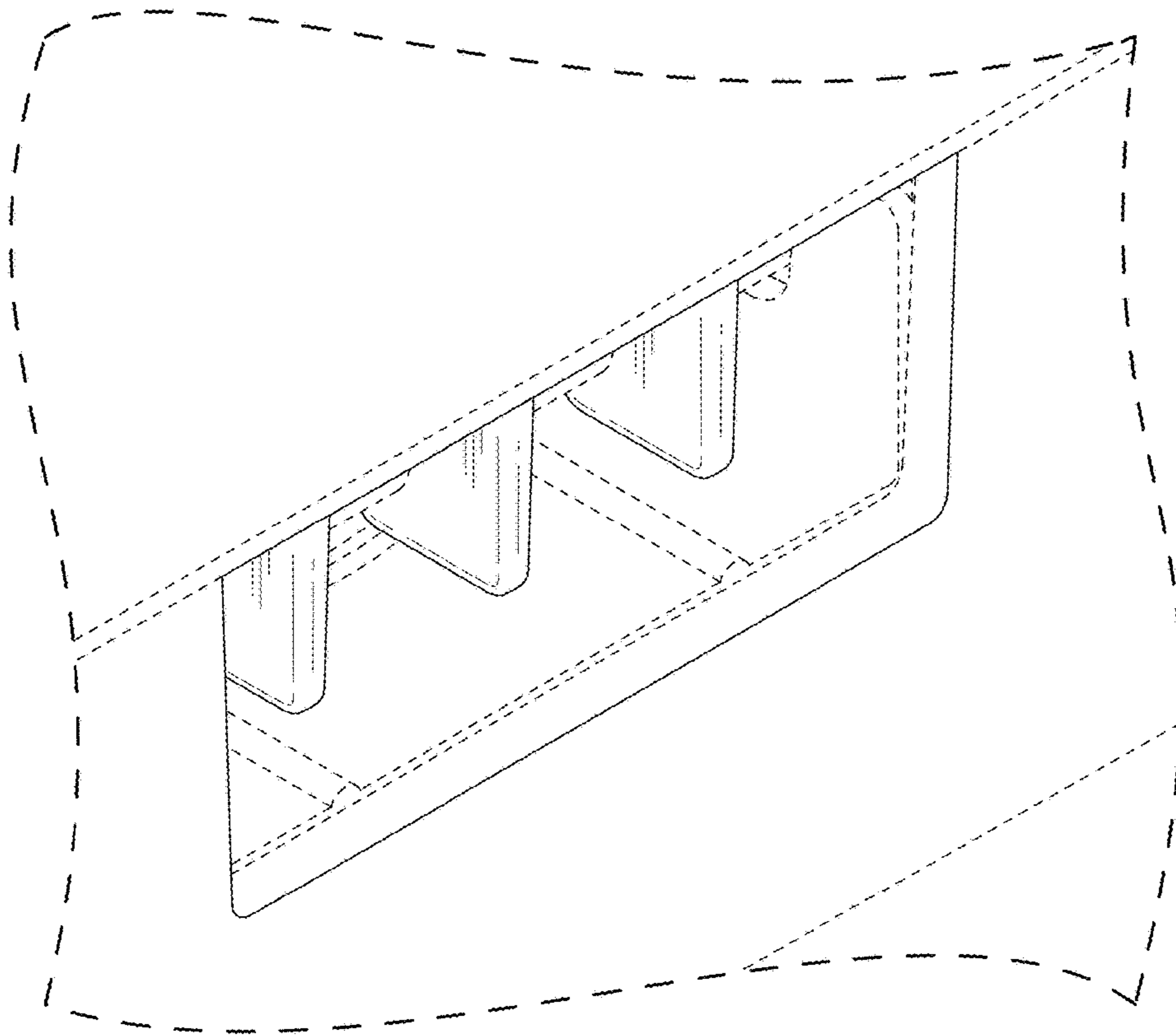


FIG. 10

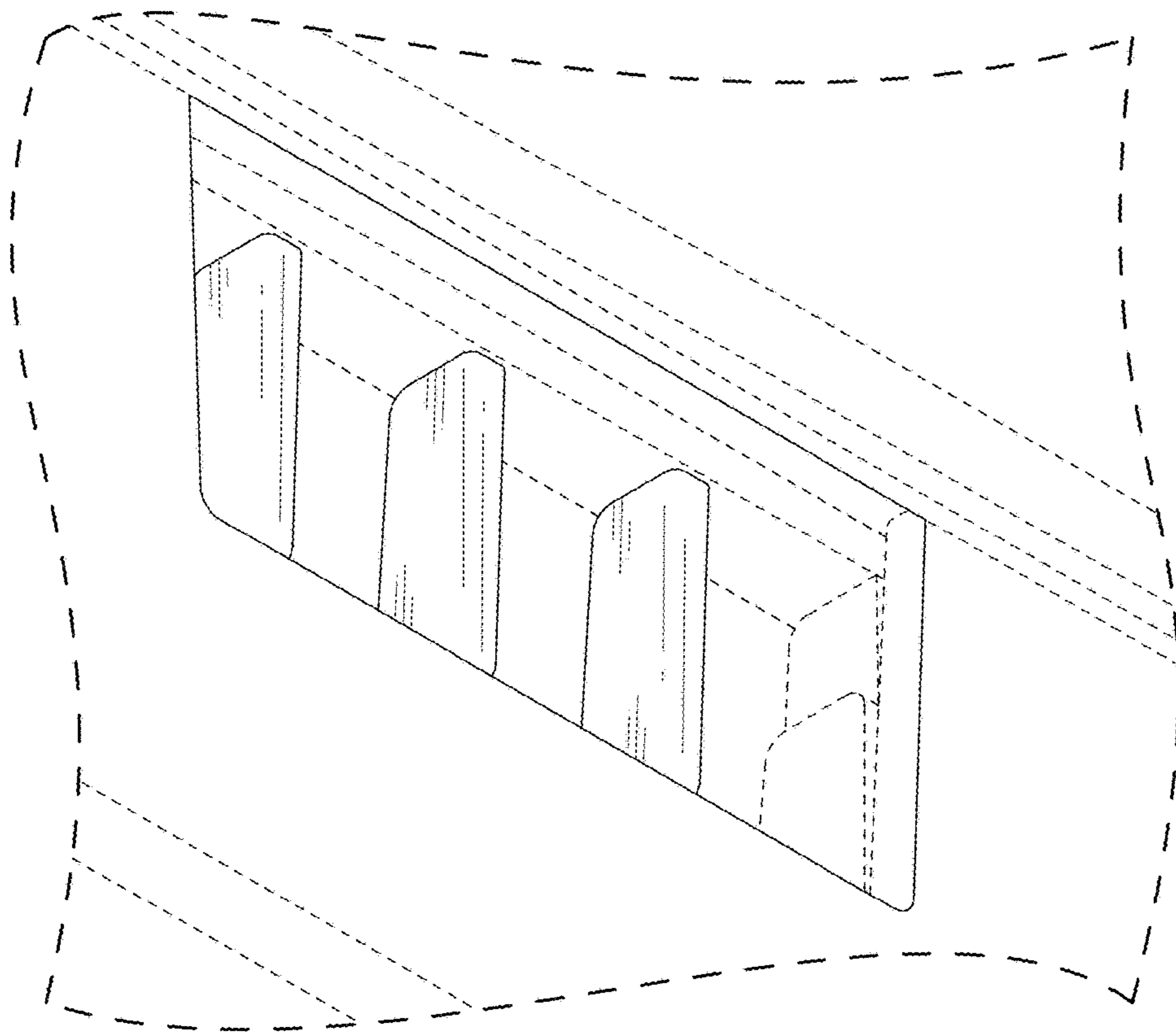


FIG.11

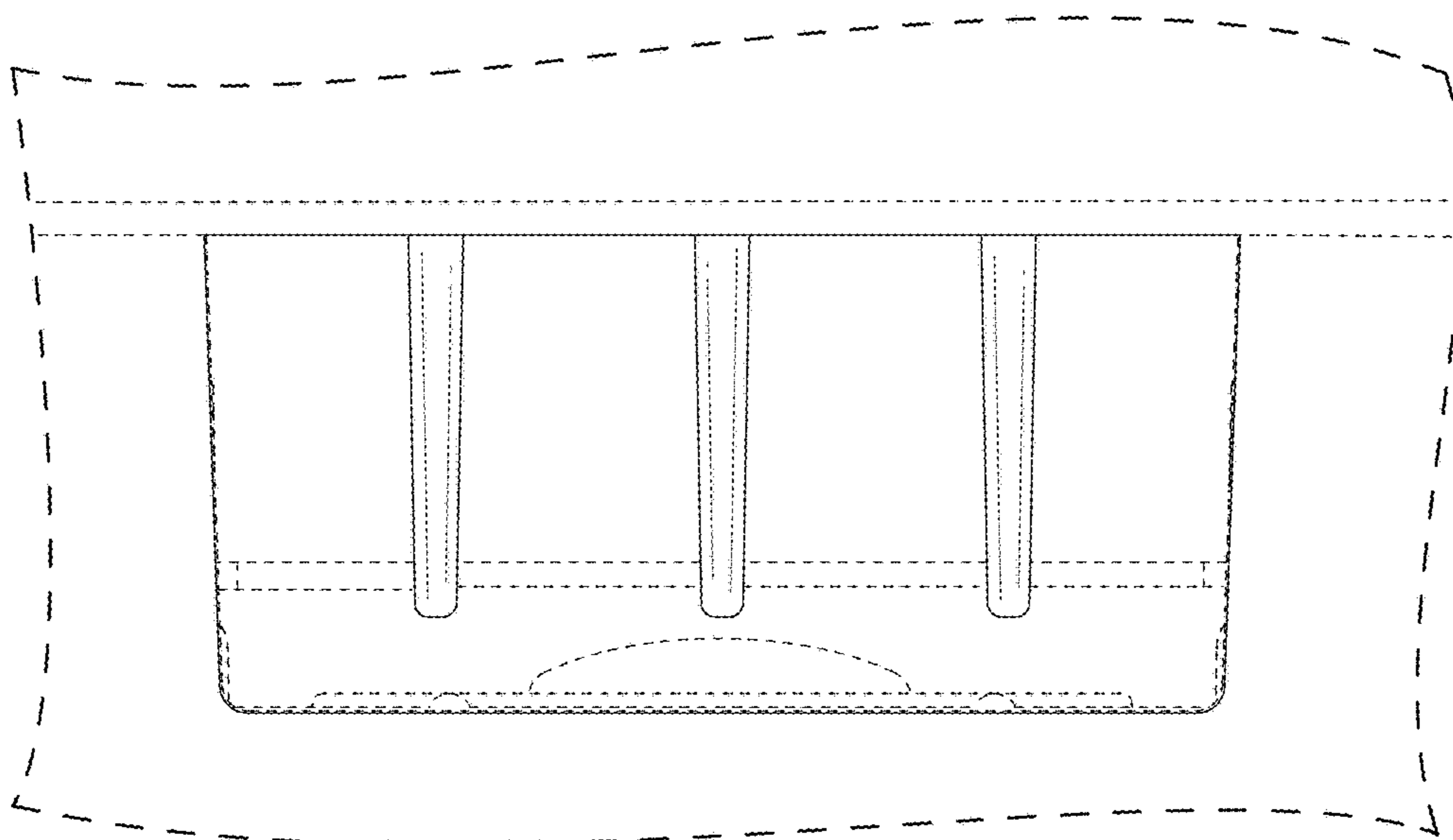


FIG.12

