



US00D775072S

(12) **United States Design Patent**
Reiner et al.

(10) **Patent No.:** **US D775,072 S**

(45) **Date of Patent:** **** Dec. 27, 2016**

(54) **VARIABLE SPEED DRIVE**

(71) Applicant: **Schneider Toshiba Inverter Europe SAS**, Pacy sur Eure (FR)

(72) Inventors: **Guillaume Reiner**, Grenoble (FR);
Emmanuel Combe, Grenoble (FR)

(73) Assignee: **SCHNEIDER TOSHIBA INVERTER EUROPE SAS**, Pacy sur Eure (FR)

(**) Term: **15 Years**

(21) Appl. No.: **29/527,166**

(22) Filed: **May 15, 2015**

(30) **Foreign Application Priority Data**

Nov. 17, 2014 (EM) 002579581-0001

(51) **LOC (10) Cl.** **13-02**

(52) **U.S. Cl.**
USPC **D13/110**

(58) **Field of Classification Search**

USPC D13/110, 101, 123, 162, 164, 184, 199;
307/150-152; 361/600, 601, 622, 702,
361/703, 730, 796, 809; 363/141, 142;
D15/149

CPC H02M 7/00; H02M 7/02; H02M 7/003;
H05K 5/00; H05K 5/0017; H05K 7/00;
H05K 7/1427; H05K 7/20918

See application file for complete search history.

(56) **References Cited**

U.S. PATENT DOCUMENTS

4,620,263 A * 10/1986 Ito H05K 7/20918
361/690
5,497,289 A * 3/1996 Sugishima H02M 7/003
318/558

D380,193 S * 6/1997 Yamaguchi D13/110
D438,176 S * 2/2001 Cornu D13/162
6,239,986 B1 * 5/2001 Otsuka H05K 7/1427
361/728
D455,399 S * 4/2002 Imamura D13/110
D502,916 S * 3/2005 Higuchi D13/110
D503,379 S * 3/2005 Gheno D13/110
D558,141 S * 12/2007 Kwon D13/110
D560,607 S * 1/2008 Suematsu D13/110
D562,234 S * 2/2008 Morihara D13/110
D629,029 S * 12/2010 Keppelen D15/149

* cited by examiner

Primary Examiner — Derrick Holland

(74) *Attorney, Agent, or Firm* — Oblon, McClelland,
Maier & Neustadt, L.L.P.

(57) **CLAIM**

The ornamental design for a variable speed drive, as shown and described.

DESCRIPTION

FIG. 1 is a front, top, and right side perspective view of a variable speed drive;

FIG. 2 is a front, bottom, and left side perspective view thereof;

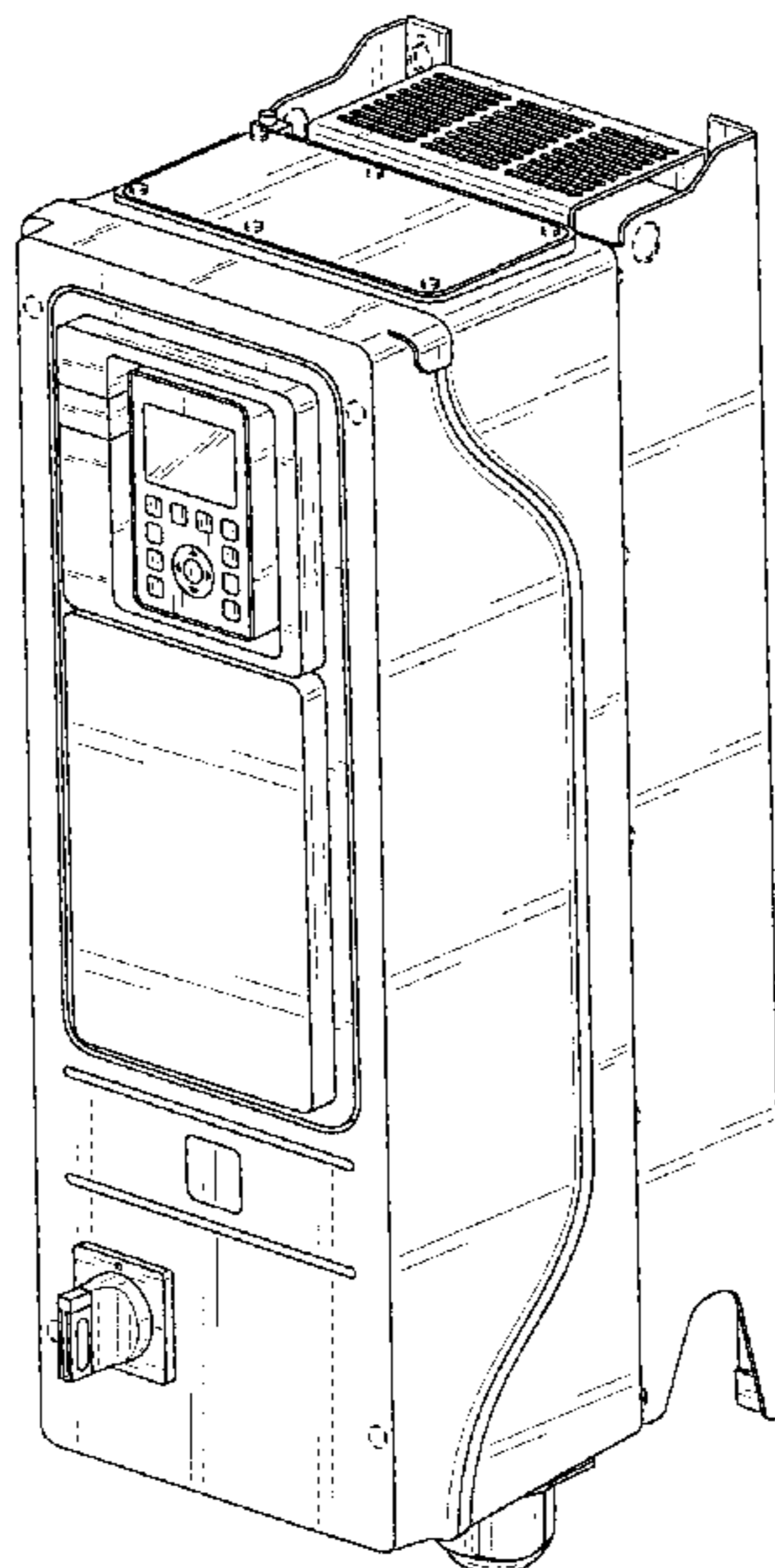
FIG. 3 is a front elevational view thereof;

FIG. 4 is a left side elevational view thereof; and,

FIG. 5 is a rear, bottom, and right side perspective view thereof.

The broken lines in the drawings illustrate environmental subject matter and form no part of the claimed design.

1 Claim, 5 Drawing Sheets



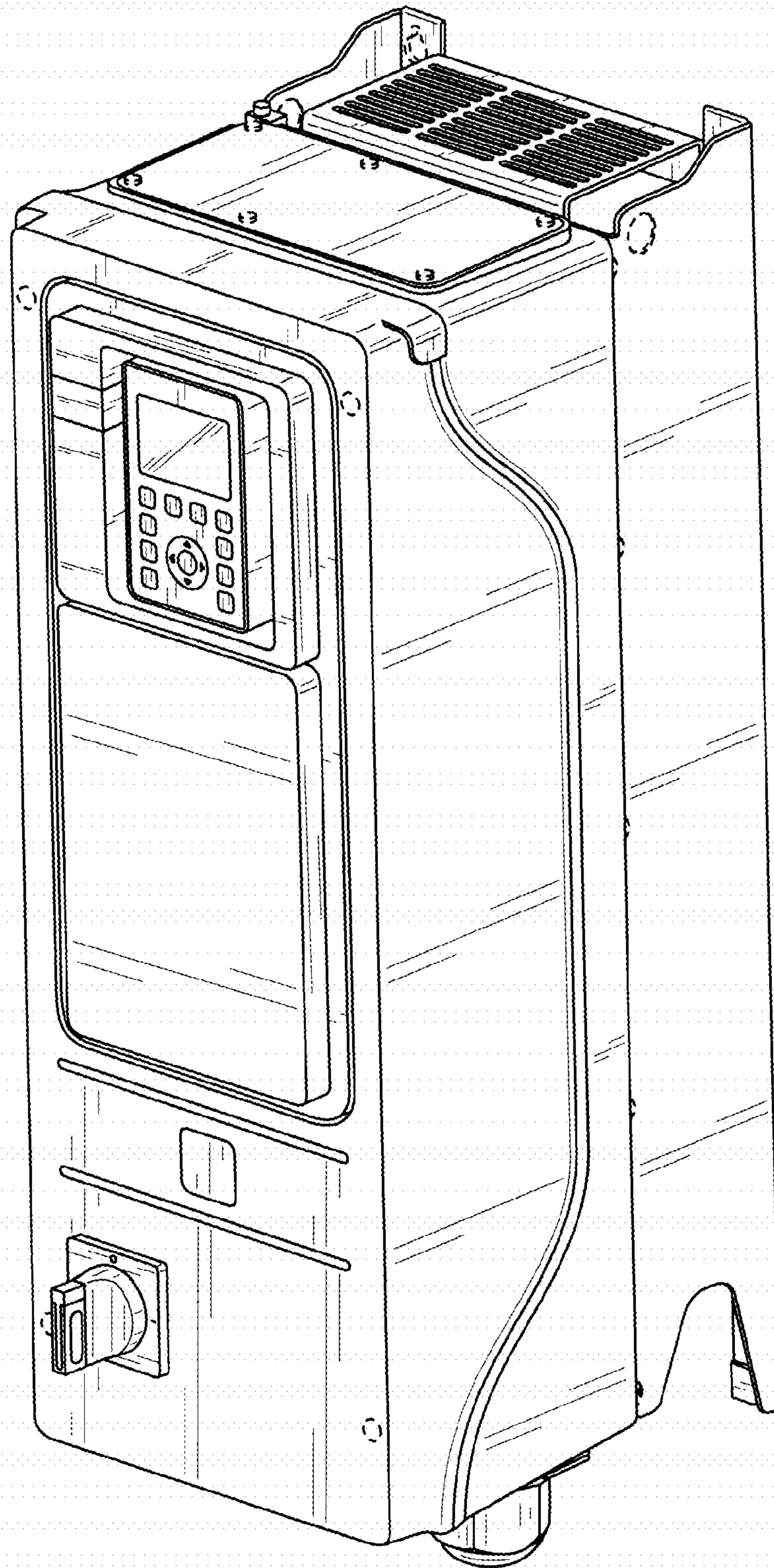


FIG. 1

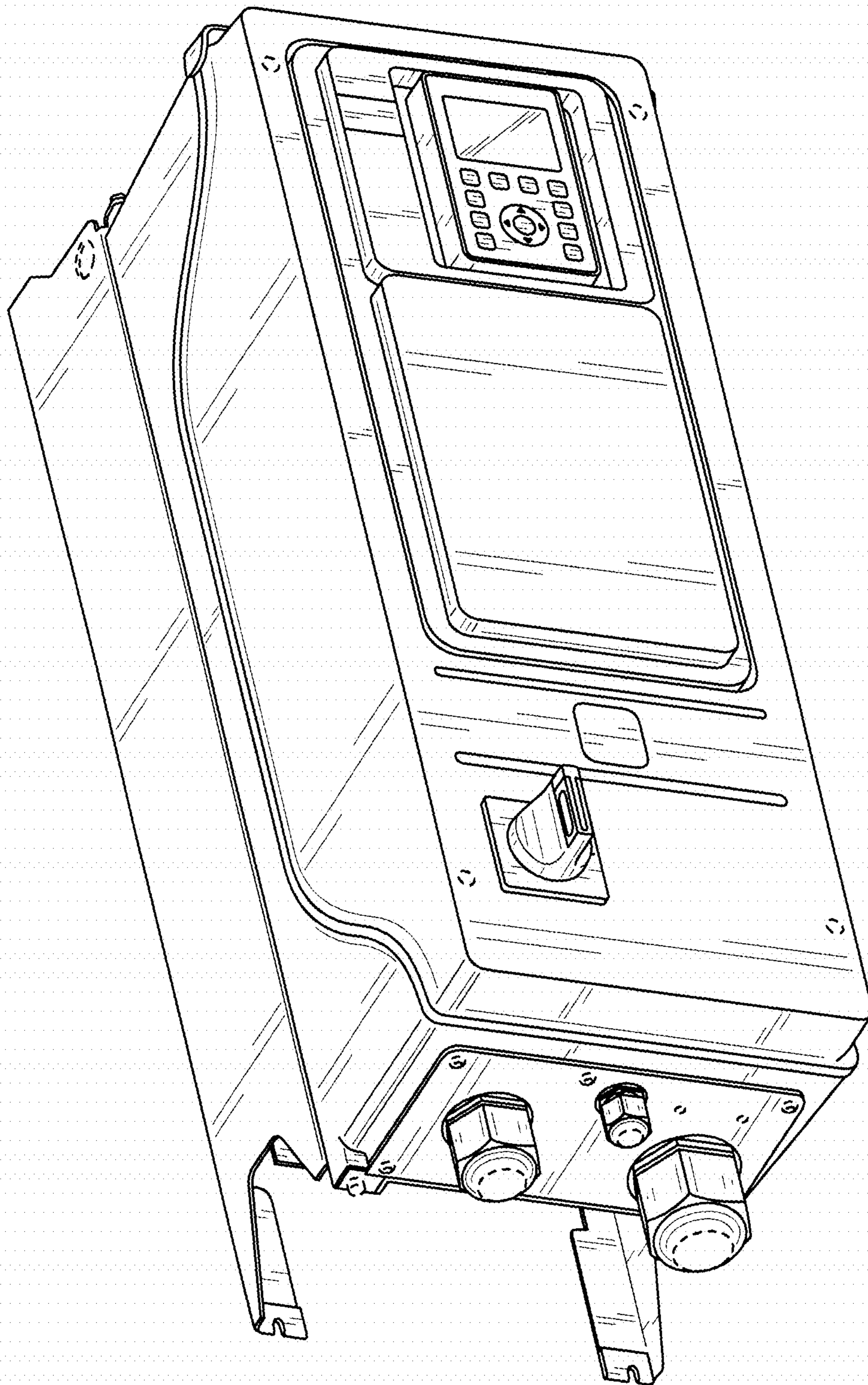


FIG. 2

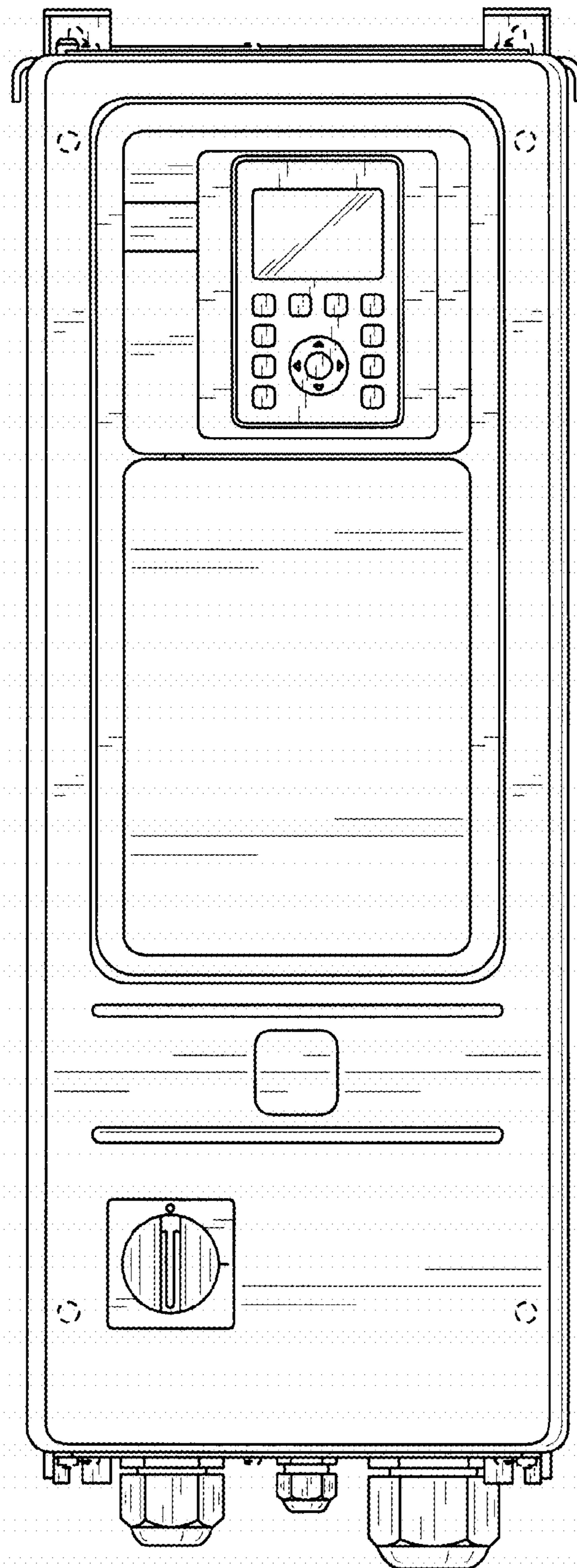


FIG. 3

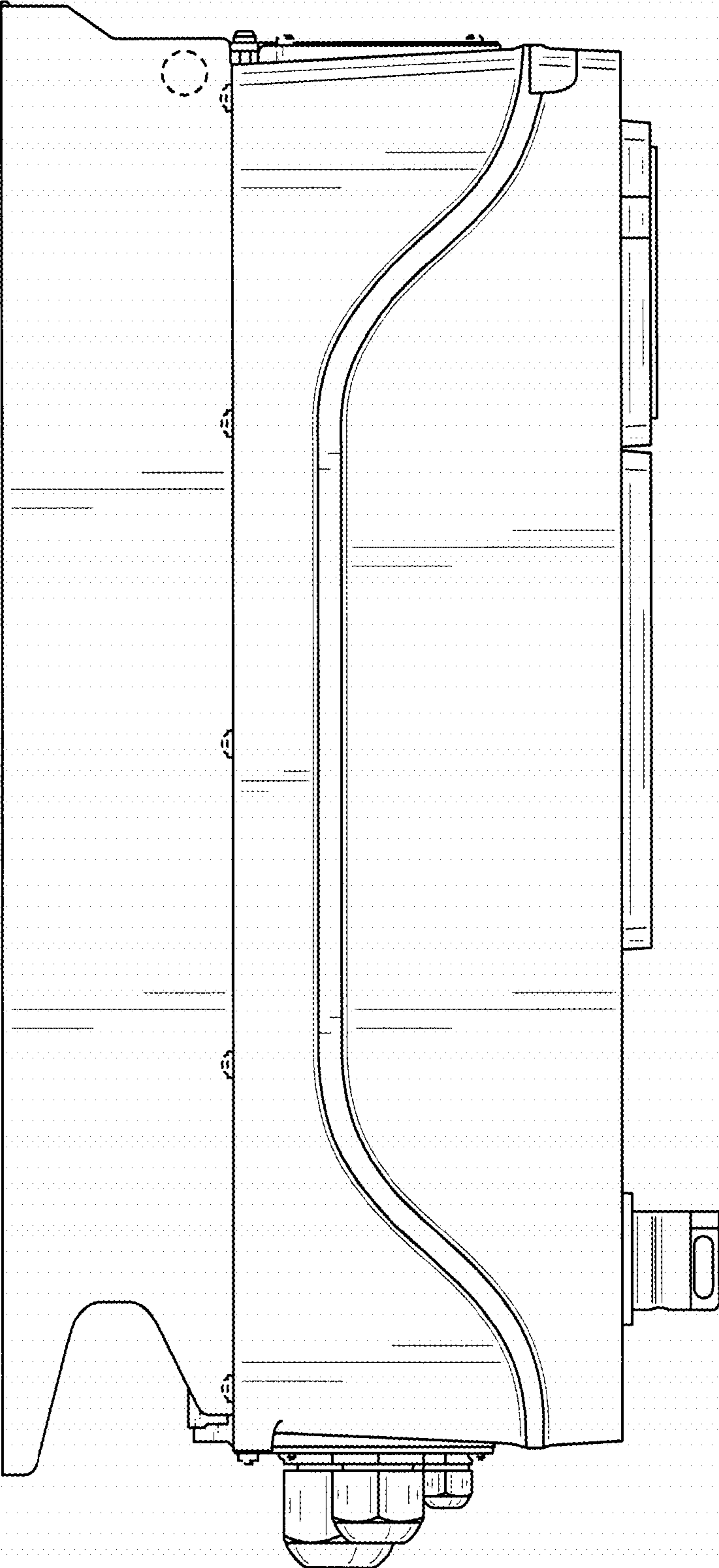


FIG. 4

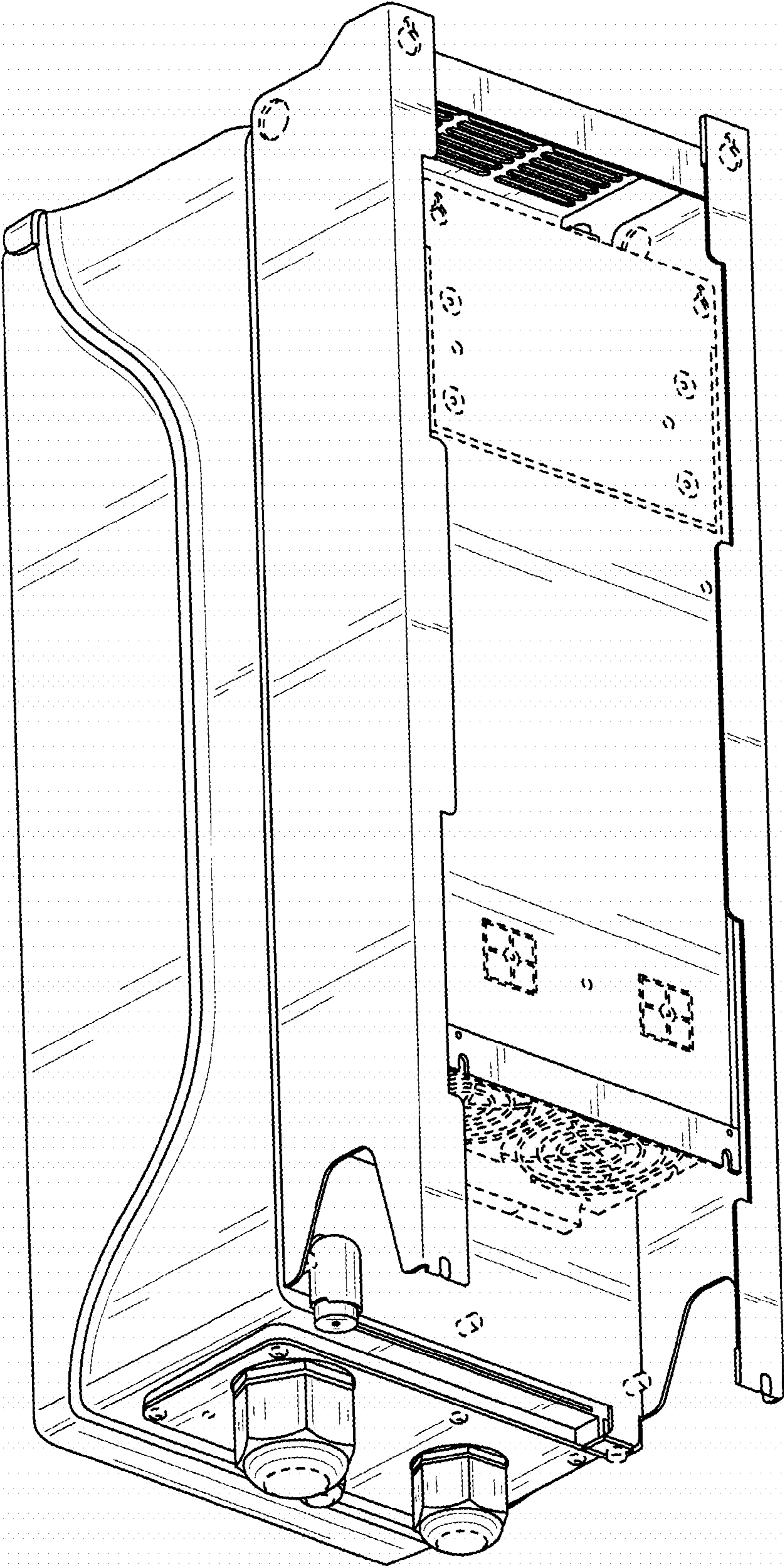


FIG. 5