



US00D775071S

(12) **United States Design Patent** (10) **Patent No.:** **US D775,071 S**
Hong et al. (45) **Date of Patent:** **** Dec. 27, 2016**

(54) **CHARGING STATION**

(56) **References Cited**

(71) Applicant: **ALDEBARAN ROBOTICS**, Paris (FR)

U.S. PATENT DOCUMENTS

(72) Inventors: **Robert Hong**, Paris (FR); **Alexandre Cotte**, Le Chesnay (FR); **Vincent Clerc**, Clamart (FR)

3,183,891	A *	5/1965	MacDonald	H02J 7/0042
				15/3.53
D238,374	S *	1/1976	Davis et al.	D14/142
D257,977	S *	1/1981	Blomberg	D14/148
4,543,451	A *	9/1985	Schoen	H02J 7/0042
				379/420.01
D291,801	S *	9/1987	Suzuki	D14/138 R
D303,383	S *	9/1989	Reichenstein	D14/138 R
D305,652	S *	1/1990	Tejima	D14/138 R
D307,016	S *	4/1990	Watanabe	D13/108
D313,800	S *	1/1991	Appleby	D14/148
D323,164	S *	1/1992	Myoga	D14/138 R
D343,841	S *	2/1994	Hon	D13/108
D353,375	S *	12/1994	Marquez	D13/108
D361,979	S *	9/1995	Shirakawa	D13/108
D368,473	S *	4/1996	Nijjima	D14/138 AA
D369,357	S *	4/1996	Ford	D14/248
D371,360	S *	7/1996	Mahan	D14/138 AA
D372,219	S *	7/1996	Schechtel	D13/108
D375,739	S *	11/1996	Boykiw	D14/138 AA
D408,816	S *	4/1999	Richez	D14/148
D428,597	S *	7/2000	Murata	D13/108
D434,021	S *	11/2000	Brewer	D14/147
D439,233	S *	3/2001	Isonaga	D14/147
D442,545	S *	5/2001	Isonaga	D13/108

(73) Assignee: **Aldebaran Robotics**, Paris (FR)

(**) Term: **15 Years**

(21) Appl. No.: **35/500,161**

(22) Filed: **Aug. 4, 2015**

(80) **Hague Agreement Data**

Int. Filing Date: **Jul. 22, 2015**
Int. Reg. No.: **DM/087535**
Int. Reg. Date: **Aug. 4, 2015**
Int. Reg. Pub. Date: **Oct. 2, 2015**

(Continued)

Primary Examiner — Richard E Chilcot

(30) **Foreign Application Priority Data**

(74) *Attorney, Agent, or Firm* — John Laurence

Feb. 6, 2015 (EM) 002628495

(51) **LOC (10) Cl.** **13-02**

(57) **CLAIM**

(52) **U.S. Cl.**
CPC **H02J 7/0054** (2013.01)
USPC **D13/108**

The ornamental design for a charging station, as shown and described.

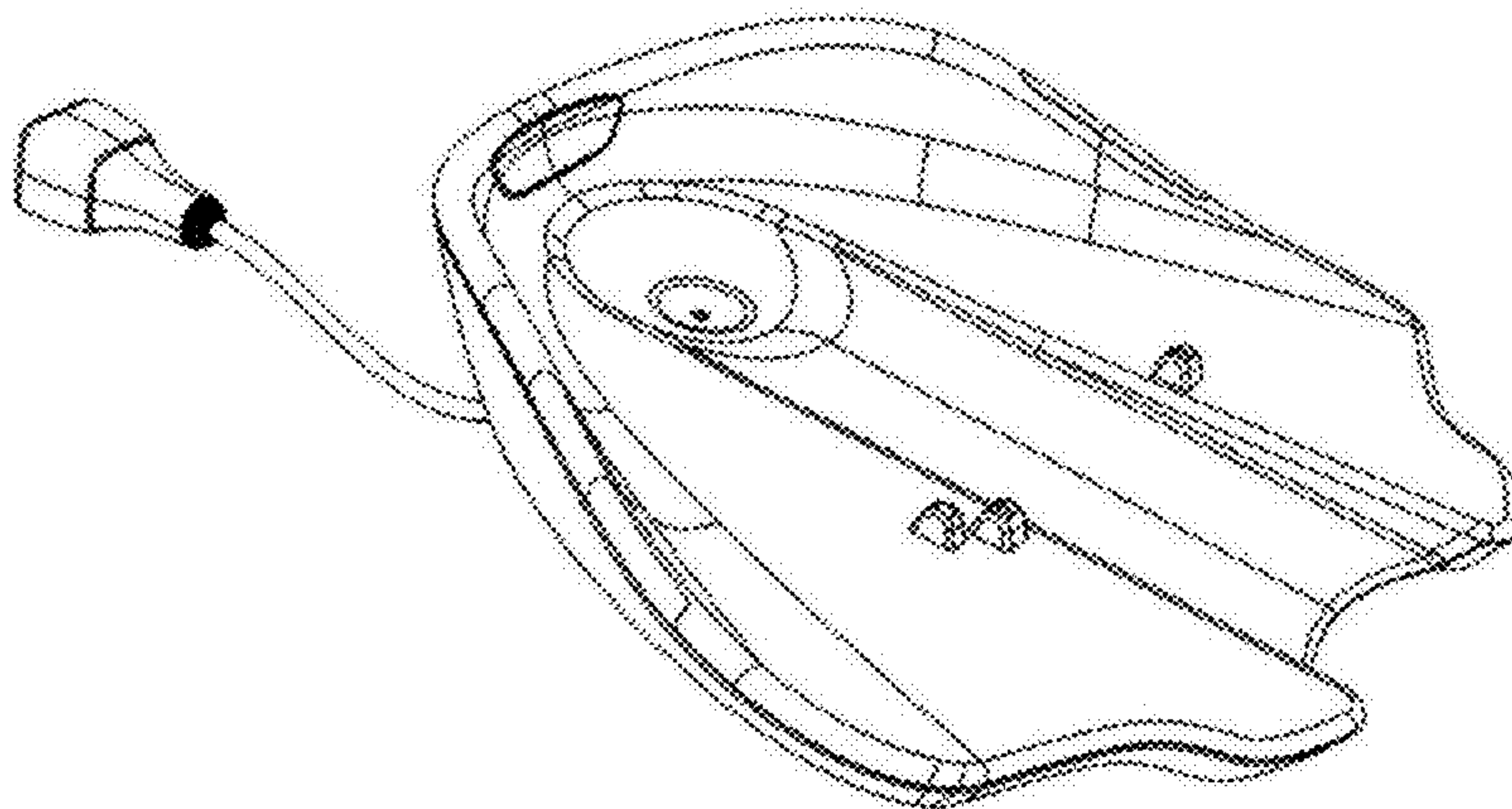
(58) **Field of Classification Search**
USPC D13/102–119, 184; 429/96–100, 163, 429/176; 320/103–115, 135–140
CPC Y02E 60/12; Y02E 60/122; Y02E 60/124; Y02E 60/50; H01M 2/02; H01M 2/022; H01M 2/0202; H01M 2/0207; H01M 2/0212; H01M 2/1061; H01M 2/1022; H01M 2/1055; H01M 2/1066; H01M 2/105; H01M 2/204

DESCRIPTION

See application file for complete search history.

- 1. Charging station
- 1.1 : Right
- 1.2 : Left
- 1.3 : Back
- 1.4 : Front
- 1.5 : Top

(Continued)



1.6 : Bottom
1.7 : Perspective

1 Claim, 7 Drawing Sheets

(56) **References Cited**

U.S. PATENT DOCUMENTS

D534,912	S	*	1/2007	Tagliabue	D14/434
D562,762	S	*	2/2008	Saddlemire	D13/108
D566,041	S	*	4/2008	Stratford	D13/108
D605,111	S	*	12/2009	Schoch	D13/107
D608,732	S	*	1/2010	Hillard	D13/107
D634,270	S	*	3/2011	Brickstad	D13/108
D636,723	S	*	4/2011	Yamamoto	D13/107
D637,951	S	*	5/2011	Perez	D13/108
D655,242	S	*	3/2012	Holthusen	D13/107
D670,241	S	*	11/2012	Shaanan	D13/107
D688,201	S	*	8/2013	Mecca	D13/108
D688,202	S	*	8/2013	Mecca	D13/108
D698,728	S	*	2/2014	Chen	D13/137.2
D742,824	S	*	11/2015	Hsu	D13/103
2011/0181243	A1	*	7/2011	Mabuchi	H02J 7/0045 320/112

* cited by examiner

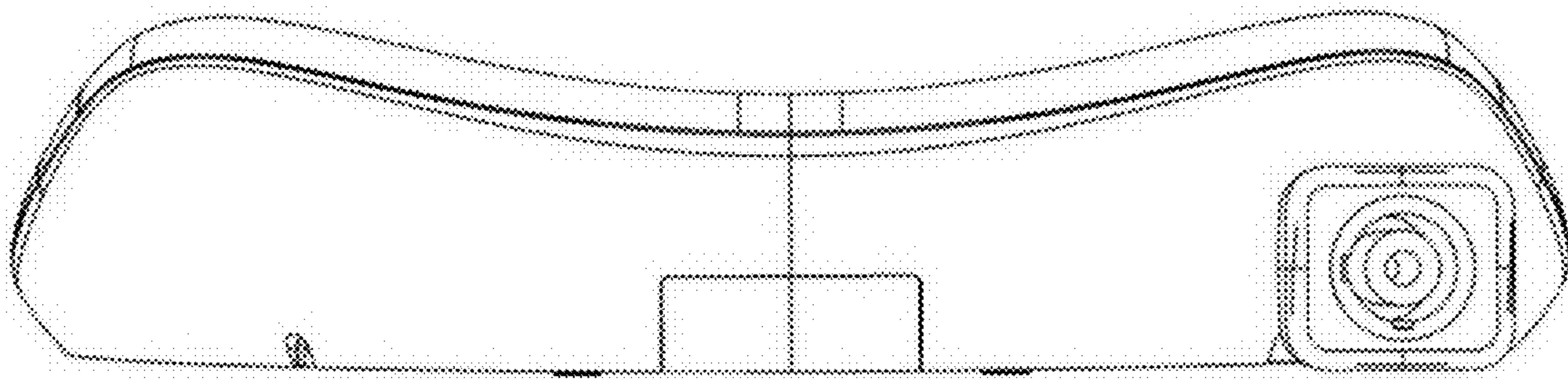
1.1



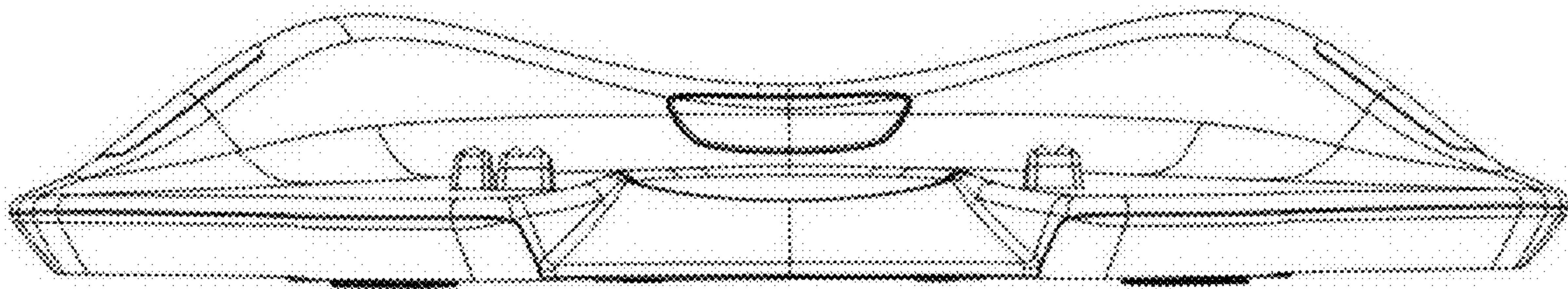
1.2



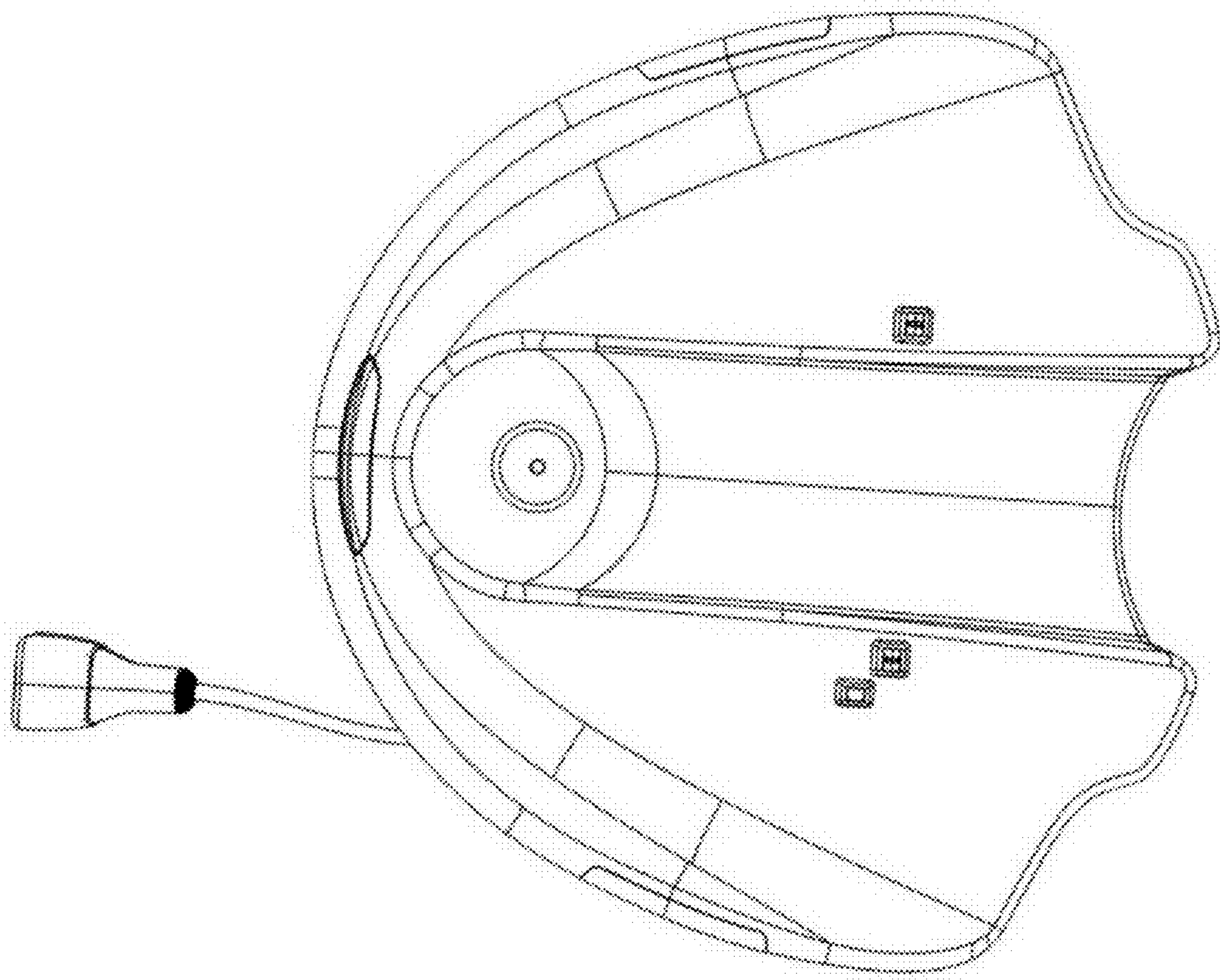
1.3



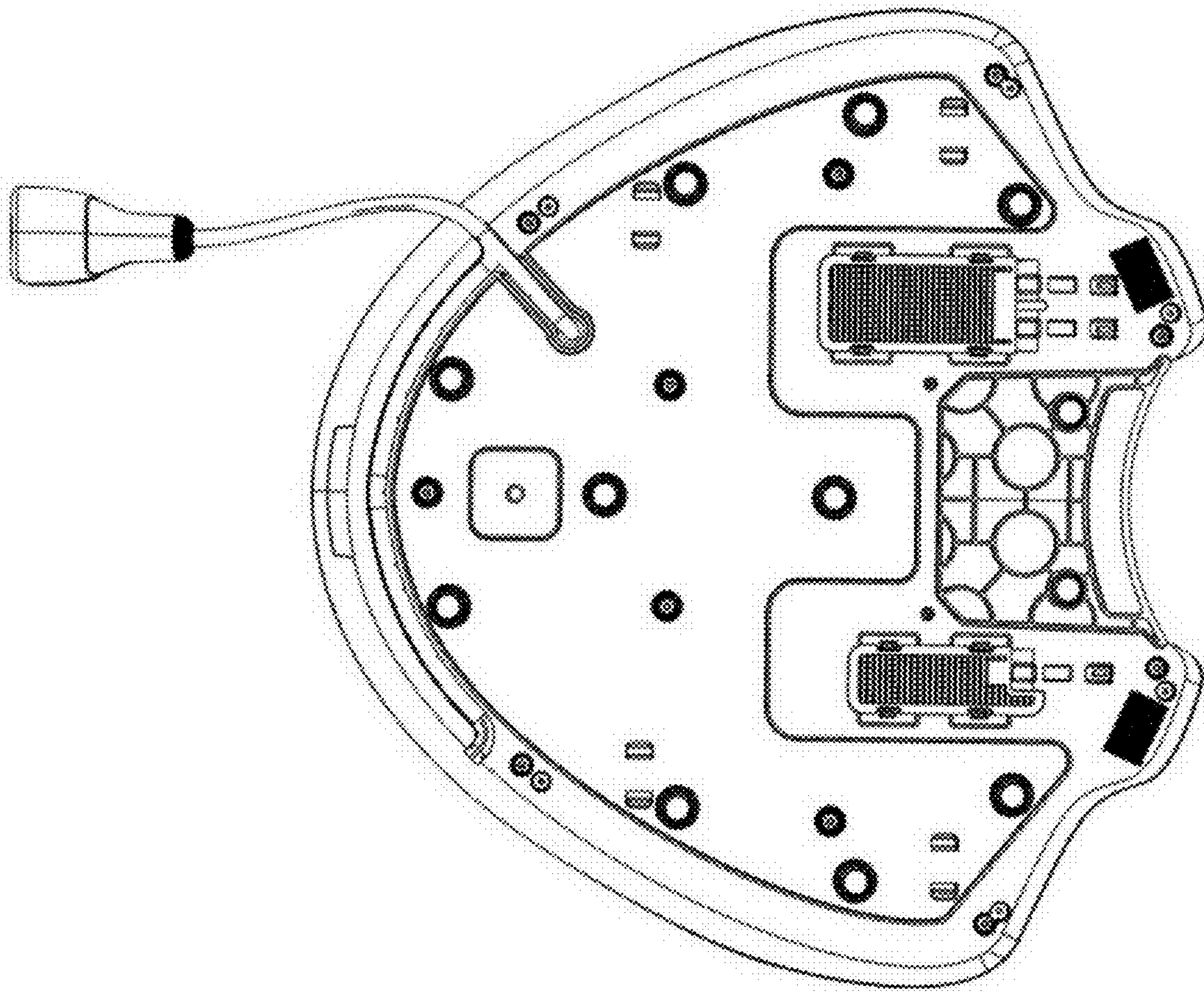
1.4



1.5



1.6



1.7

