

US00D775064S

(12) **United States Design Patent**
Shima

(10) **Patent No.:** **US D775,064 S**

(45) **Date of Patent:** **** Dec. 27, 2016**

(54) **TIRE**

(71) Applicant: **Toyo Tire & Rubber Co., Ltd.**,
Osaka-shi, Osaka (JP)

(72) Inventor: **Satoshi Shima**, Osaka (JP)

(73) Assignee: **TOYO TIRE & RUBBER CO., LTD.**,
Osaka (JP)

(**) Term: **15 Years**

(21) Appl. No.: **29/535,844**

(22) Filed: **Aug. 11, 2015**

(30) **Foreign Application Priority Data**

Apr. 28, 2015 (JP) 2015-009488

(51) **LOC (10) Cl.** **12-15**

(52) **U.S. Cl.**
USPC **D12/594**

(58) **Field of Classification Search**

USPC D12/568-604, 900
CPC B60C 1/0016; B60C 11/0306; B60C
11/0302; B60C 3/06; B60C 9/17
See application file for complete search history.

(56) **References Cited**

U.S. PATENT DOCUMENTS

5,361,816 A * 11/1994 Hitzky B60C 11/0306
152/209.22
D449,800 S * 10/2001 Fierro D12/579
D596,112 S * 7/2009 Kawakami D12/601

D609,171 S * 2/2010 Yonetsu D12/590
D621,779 S * 8/2010 Yonetsu D12/586
D735,121 S * 7/2015 Sareen D12/600

FOREIGN PATENT DOCUMENTS

JP 1002410 S 2/1998
JP 750106-2 S 7/1998

* cited by examiner

Primary Examiner — Robert M Spear

Assistant Examiner — John Voytek

(74) *Attorney, Agent, or Firm* — Sterne, Kessler,
Goldstein & Fox P.L.L.C.

(57) **CLAIM**

The ornamental design for a tire, as shown and described.

DESCRIPTION

FIG. 1 is a perspective view of a tire showing my new design;

FIG. 2 is a front view thereof, the rear view being the same;
FIG. 3 is a top plan view thereof, the bottom view being the same;

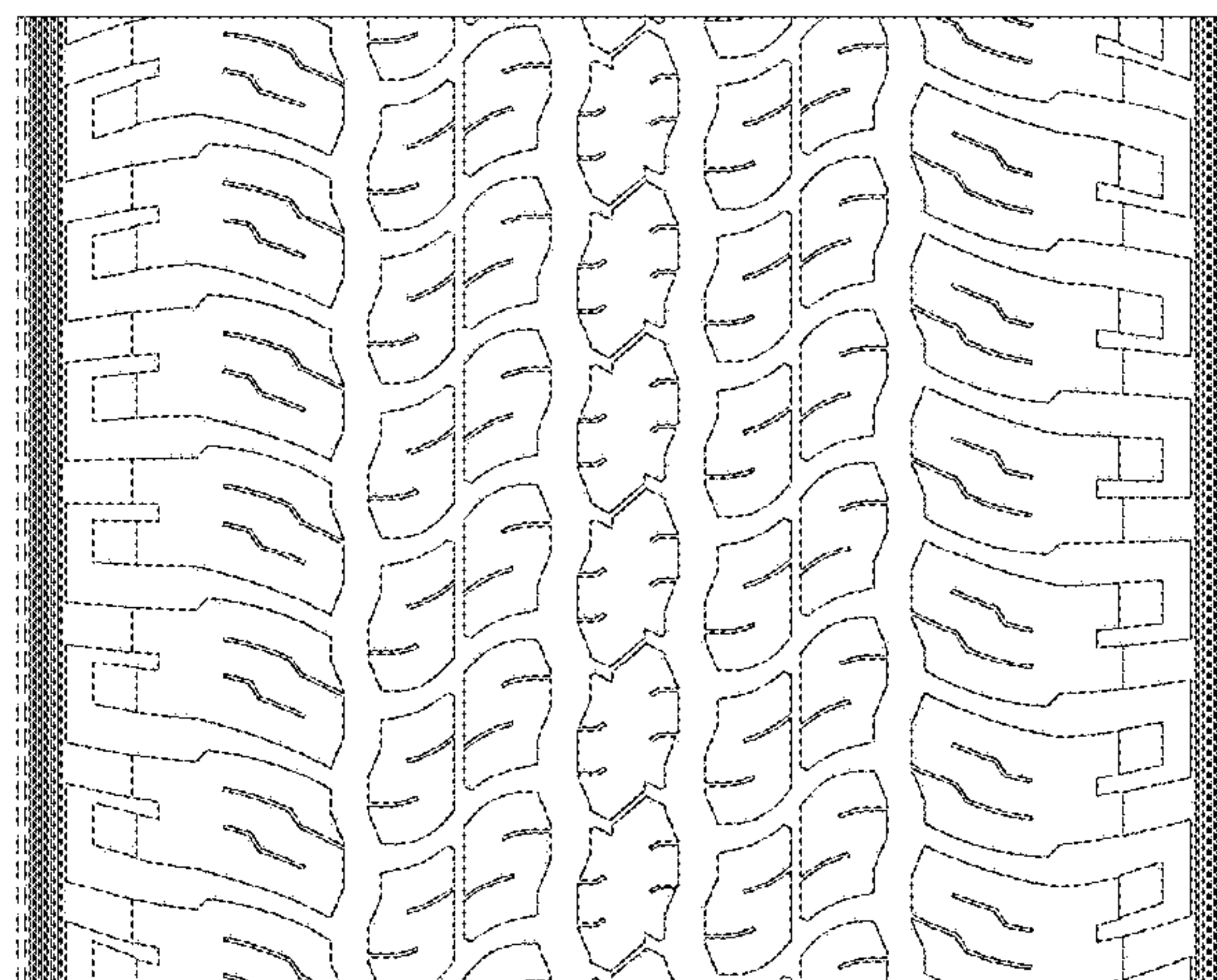
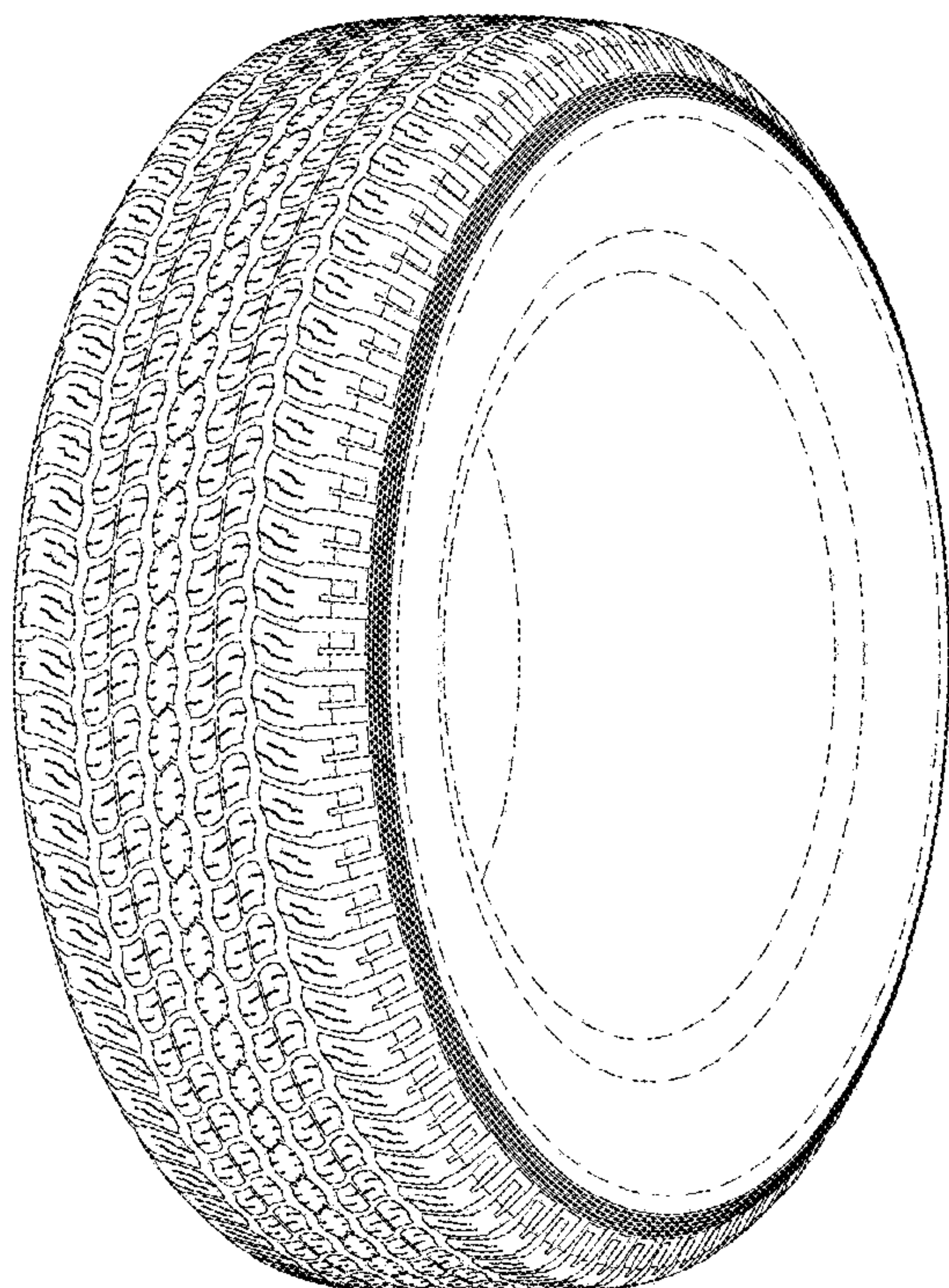
FIG. 4 is a right side view thereof, the left side view being the same;

FIG. 5 is an enlarged cross-sectional view taken along line 5-5 in FIG. 2; and,

FIG. 6 is an enlarged view taken along lines 6-6 and 6'-6' in FIG. 2.

In the drawings, the broken lines showing portions of the sidewall and inner bead depict portions of the tire that form no part of the claimed design.

1 Claim, 6 Drawing Sheets



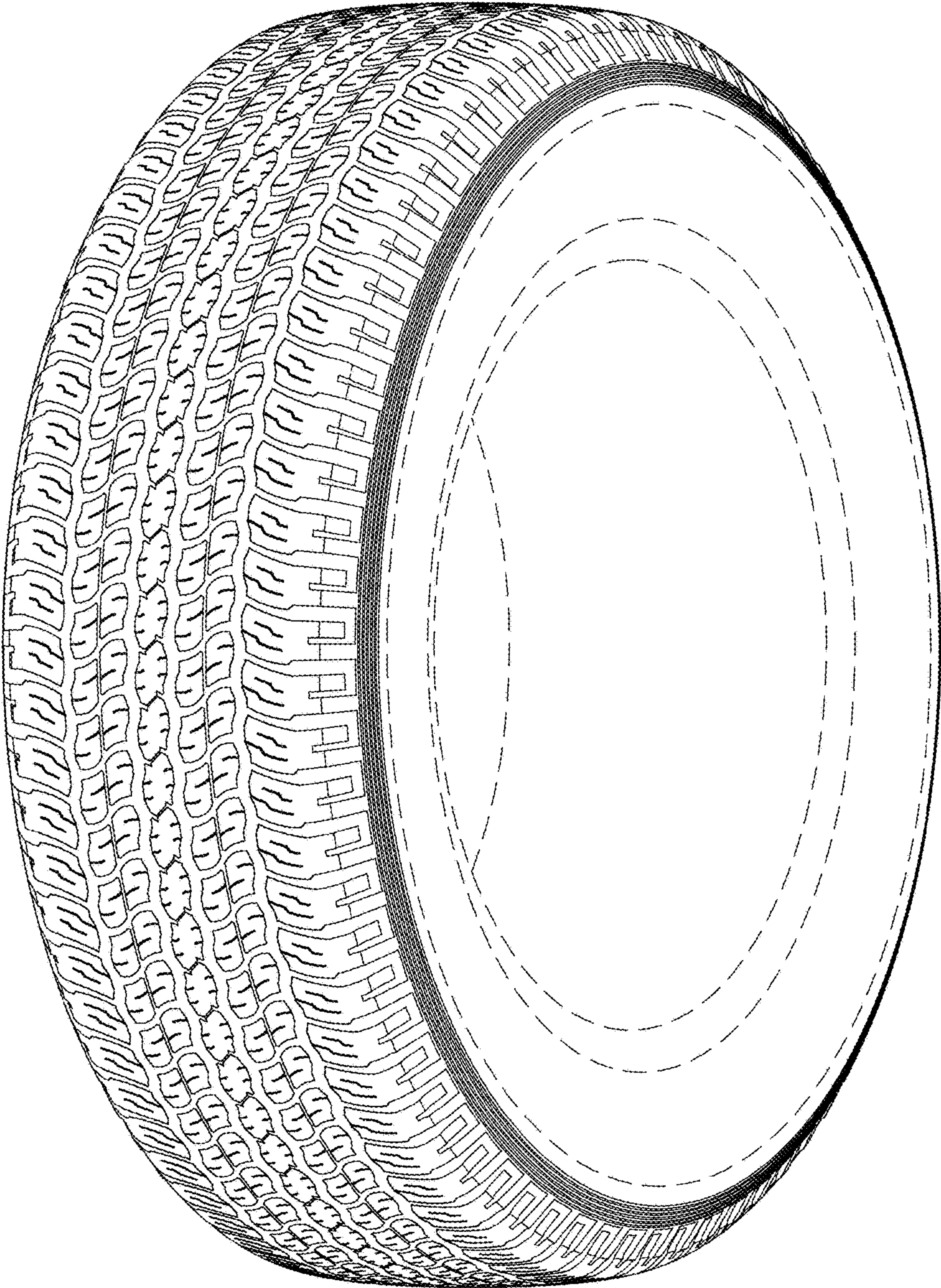


FIG. 1

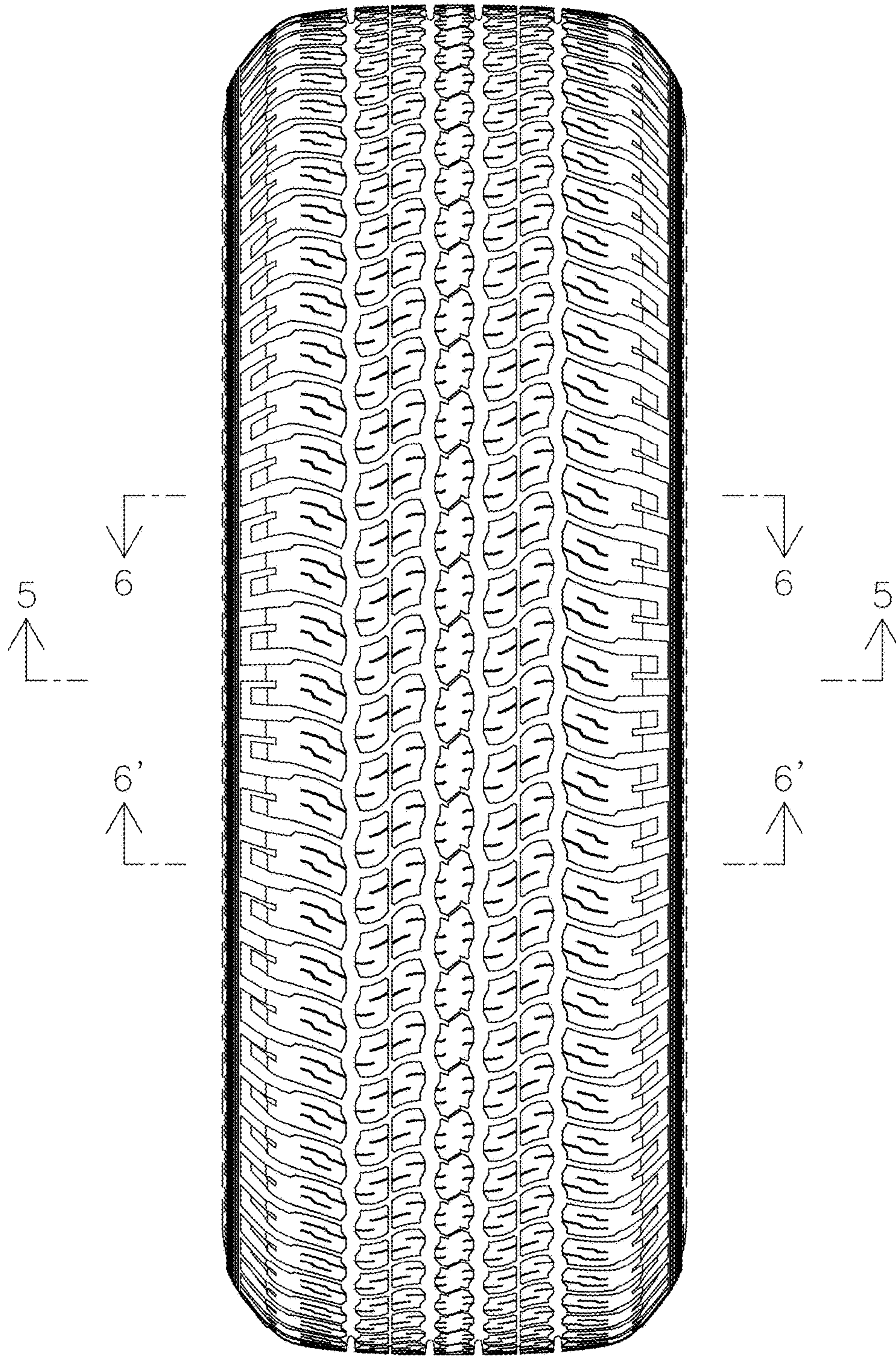


FIG. 2

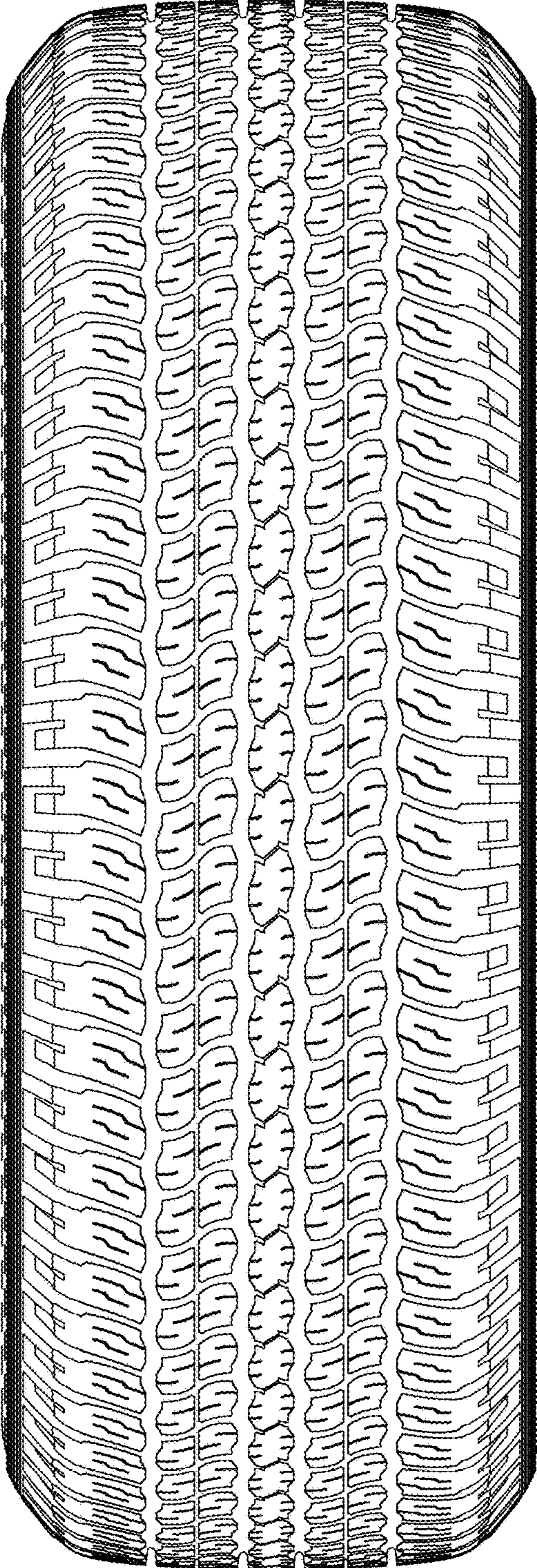


FIG. 3

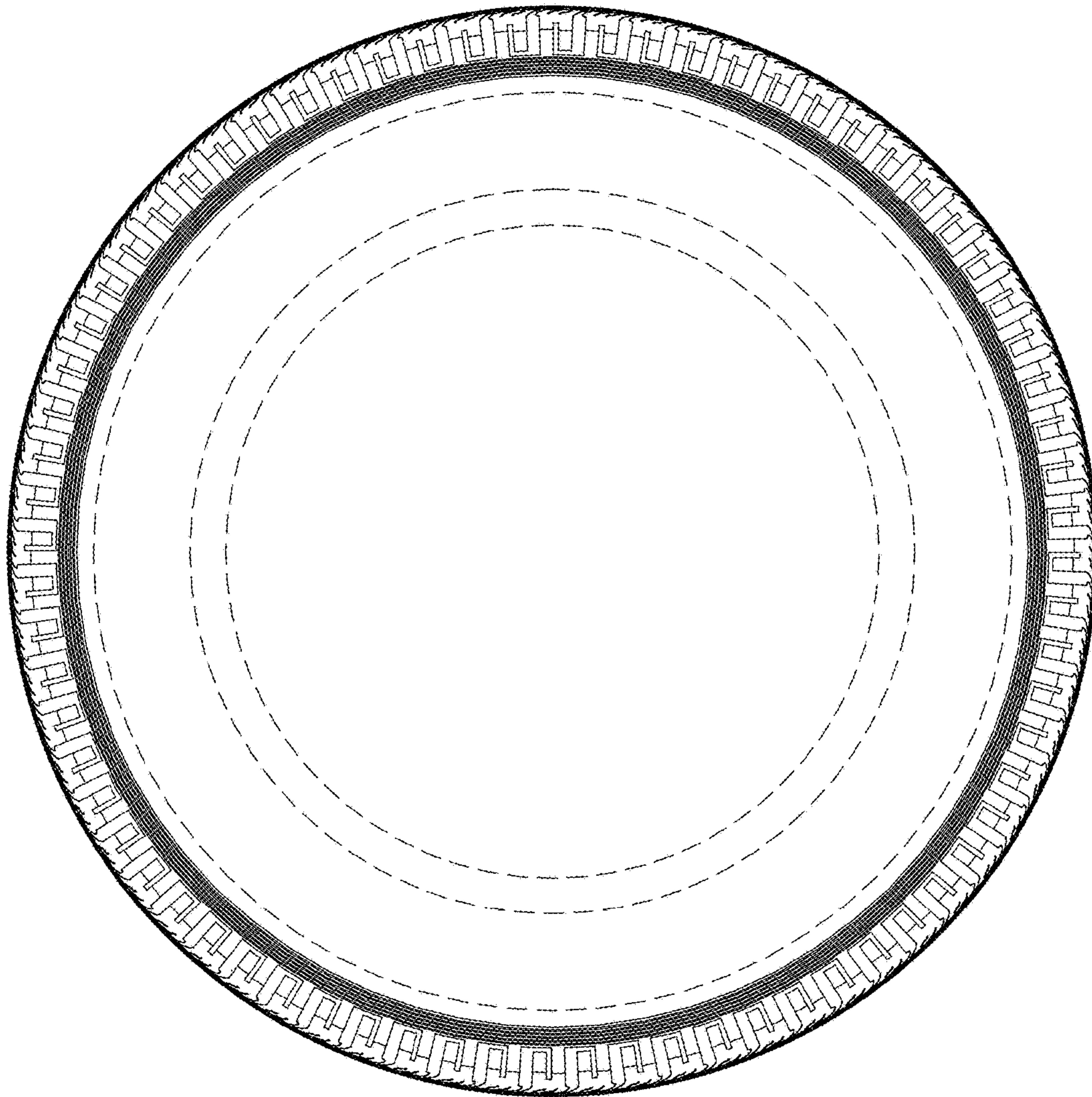


FIG. 4

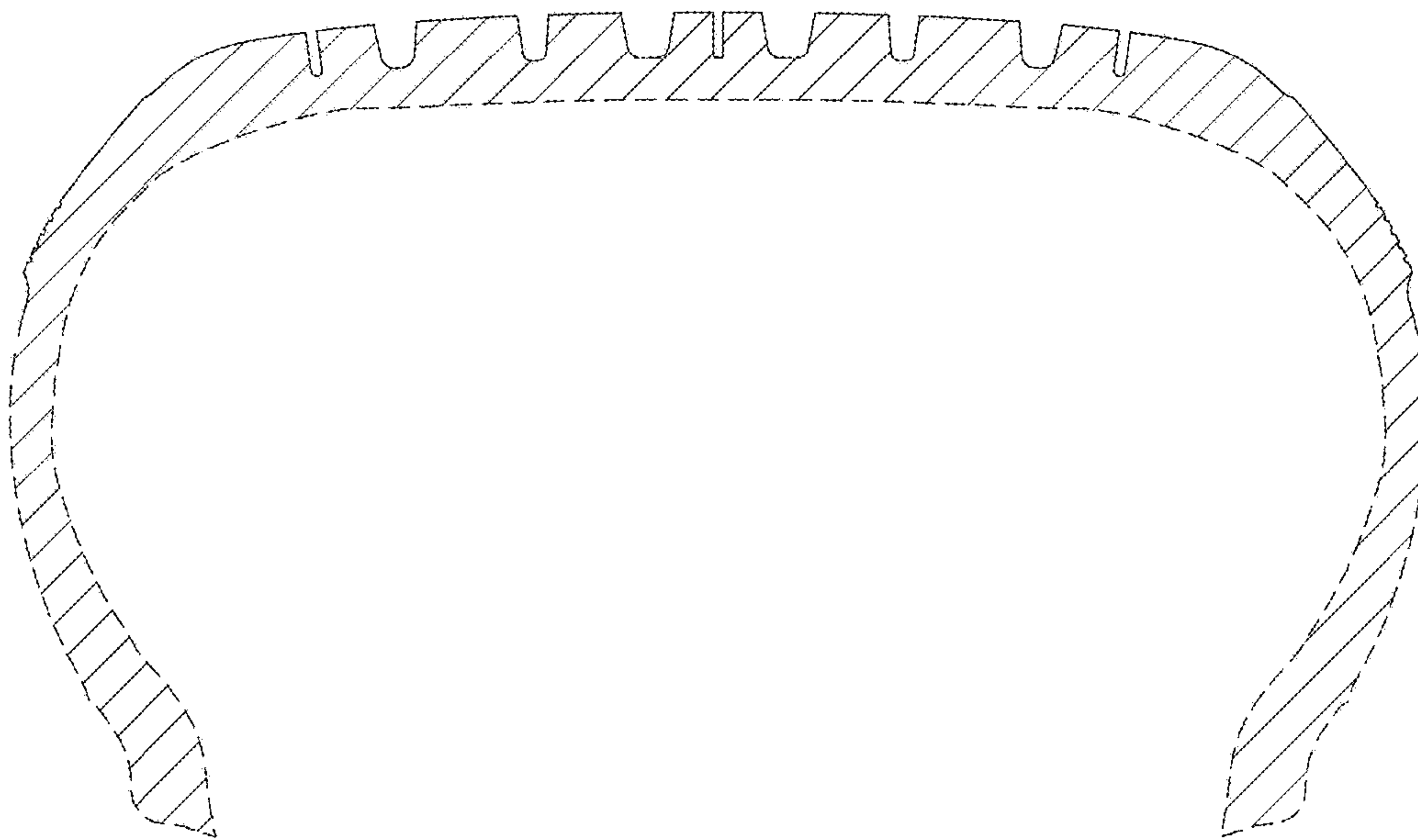


FIG. 5

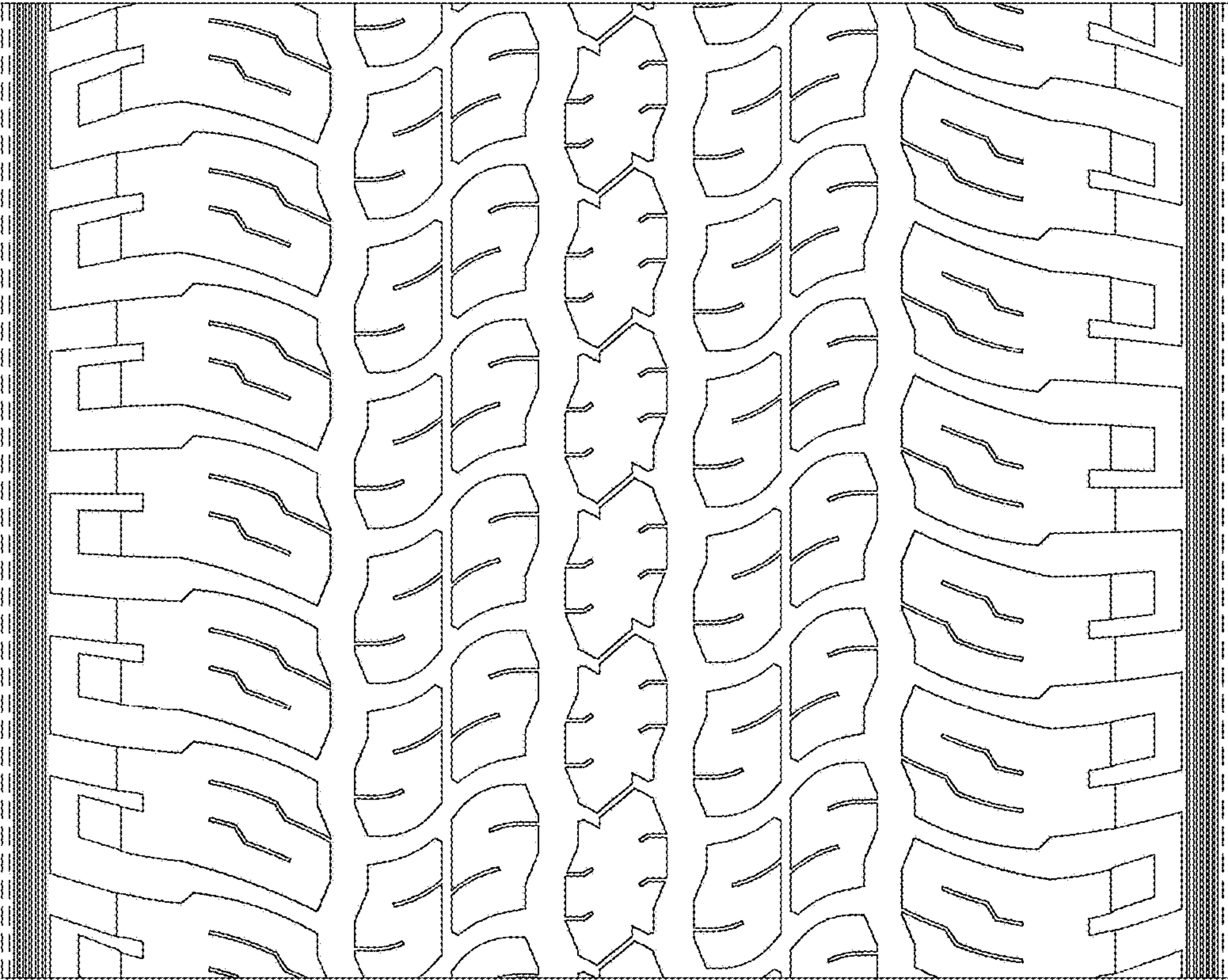


FIG. 6