



US00D775061S

(12) **United States Design Patent**
Ishiguro et al.

(10) **Patent No.:** **US D775,061 S**

(45) **Date of Patent:** **** Dec. 27, 2016**

(54) **AUTOMOBILE TIRE**

(71) Applicant: **THE YOKOHAMA RUBBER CO., LTD.**, Minato-ku, Tokyo (JP)

(72) Inventors: **Sadayuki Ishiguro**, Hiratsuka (JP);
Takumi Morito, Tokyo (JP)

(73) Assignee: **THE YOKOHAMA RUBBER CO., LTD.**, Minato-ku, Tokyo (JP)

(**) Term: **15 Years**

(21) Appl. No.: **29/541,112**

(22) Filed: **Sep. 30, 2015**

(30) **Foreign Application Priority Data**

Mar. 30, 2015 (JP) 2015-006908

(51) **LOC (10) Cl.** **12-15**

(52) **U.S. Cl.**
USPC **D12/553**

(58) **Field of Classification Search**

USPC D12/533-567

CPC B60C 1/0016; B60C 11/0306; B60C
11/0302; B60C 3/06; B60C 9/17

See application file for complete search history.

(56) **References Cited**

U.S. PATENT DOCUMENTS

D459,293 S *	6/2002	Baker	D12/556
D489,317 S *	5/2004	Yamane	D12/550
D490,362 S *	5/2004	Salvan	D12/550
D525,191 S *	7/2006	Okubo	D12/550
D536,660 S *	2/2007	Schmalix	D12/551
D544,827 S *	6/2007	Lee	D12/553

D547,258 S *	7/2007	Fontaine	D12/550
D577,658 S *	9/2008	Murata	D12/550
D613,675 S *	4/2010	Perrin	D12/553
D655,670 S *	3/2012	Zhao	D12/550
D695,209 S *	12/2013	Yasunaga	D12/556
D696,183 S *	12/2013	Yasunaga	D12/550
D719,083 S *	12/2014	Hayashi	D12/555

* cited by examiner

Primary Examiner — Robert M Spear

Assistant Examiner — John Voytek

(74) *Attorney, Agent, or Firm* — Banner & Witcoff, Ltd.

(57) **CLAIM**

The ornamental design for an automobile tire, as shown and described.

DESCRIPTION

FIG. 1 is a perspective view of an automobile tire showing our new design;

FIG. 2 is a front view thereof;

FIG. 3 is a rear view thereof;

FIG. 4 is a right side view thereof;

FIG. 5 is a left side view thereof;

FIG. 6 is a top view thereof;

FIG. 7 is a bottom view thereof;

FIG. 8 is a partially enlarged view of a portion defined by lines 8-8 shown in FIG. 1;

FIG. 9 is a partially enlarged view of a portion defined by lines 9-9 shown in FIG. 2; and,

FIG. 10 is a cross sectional view of a portion defined by lines 10-10 shown in FIG. 9.

The portions of the article in broken lines are shown for illustrative purposes only and form no part of the claimed design. The dot and dashed lines represents a boundary between the claimed portion and the non-claimed portion.

1 Claim, 5 Drawing Sheets

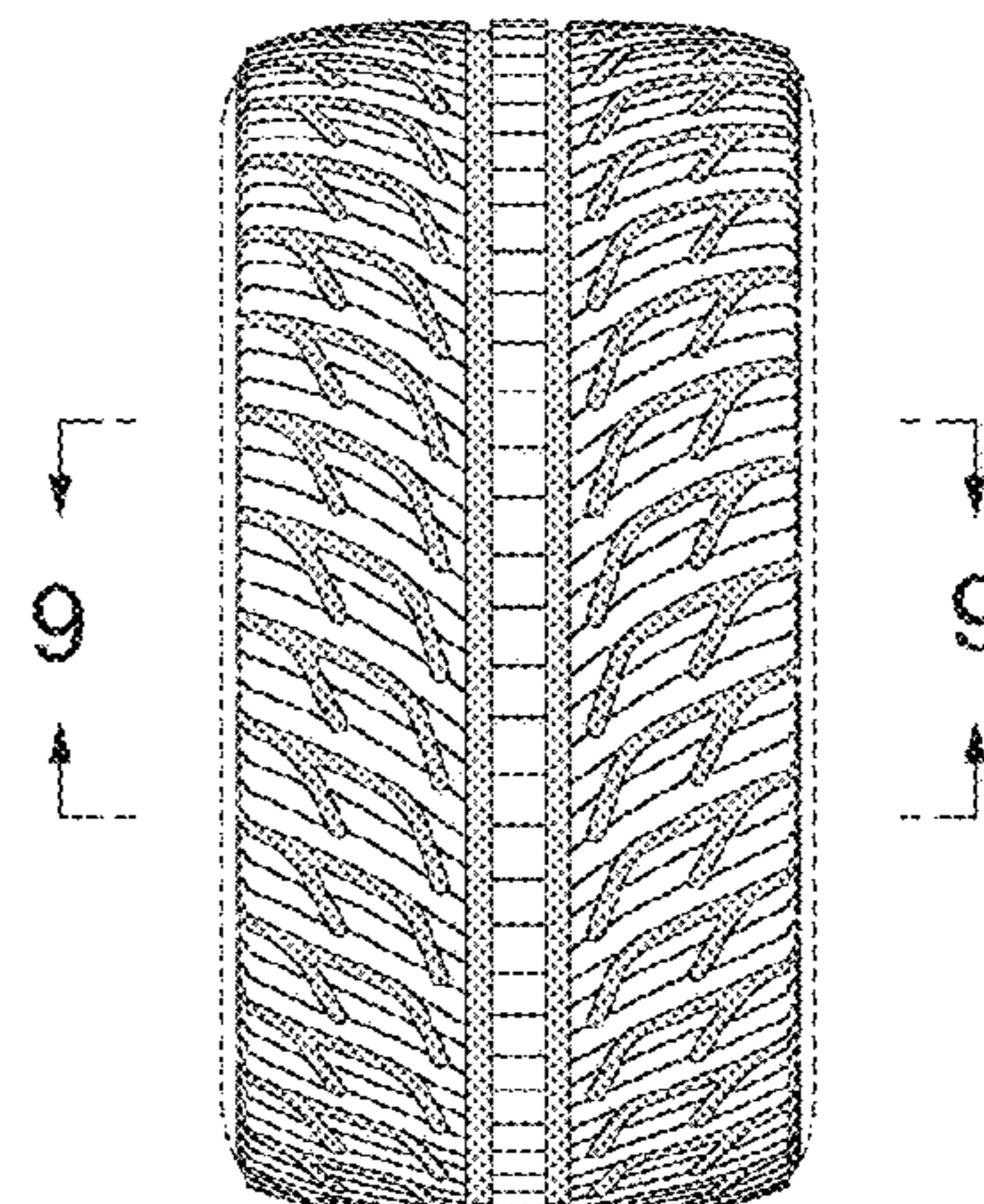
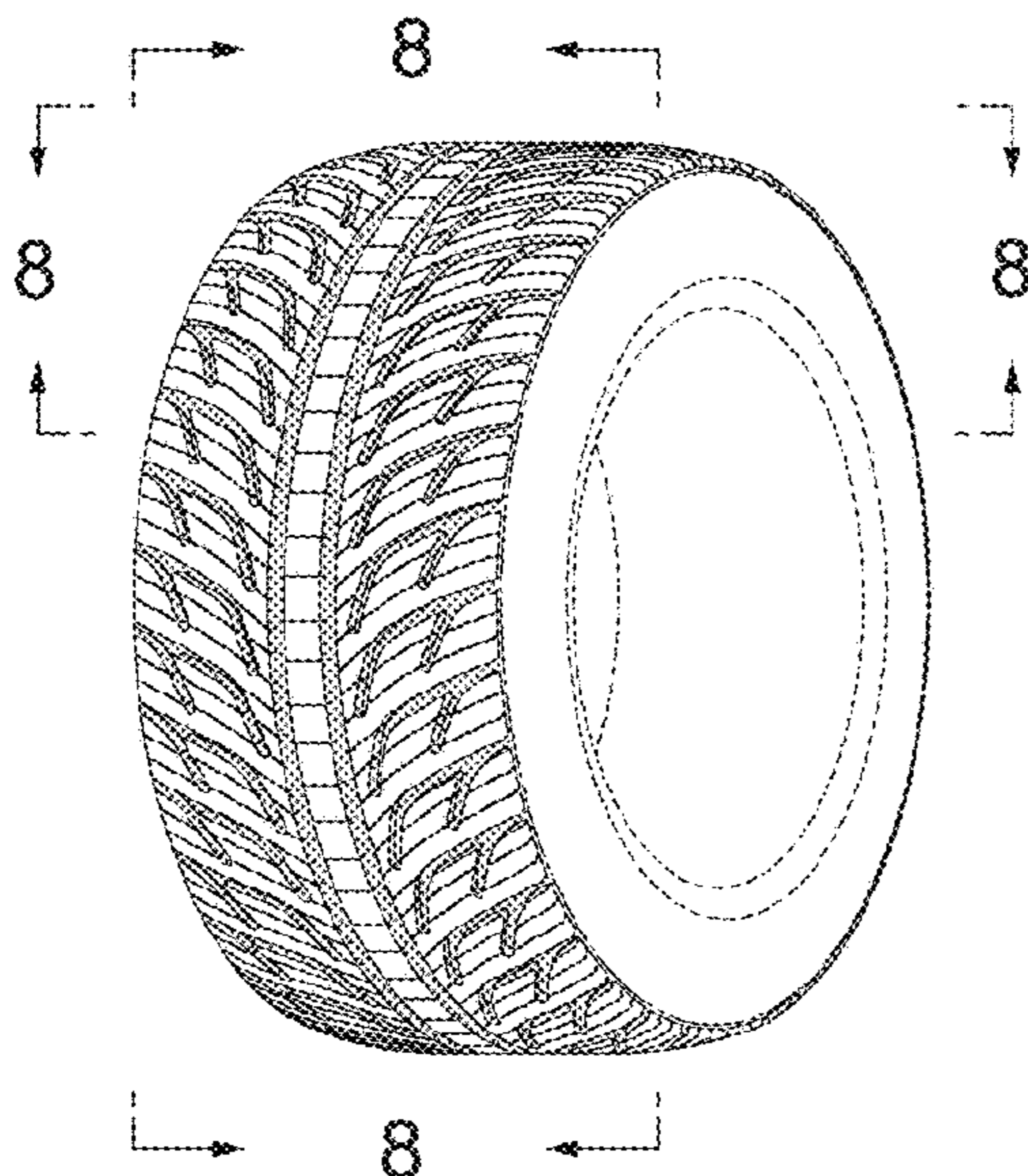


FIG. 1

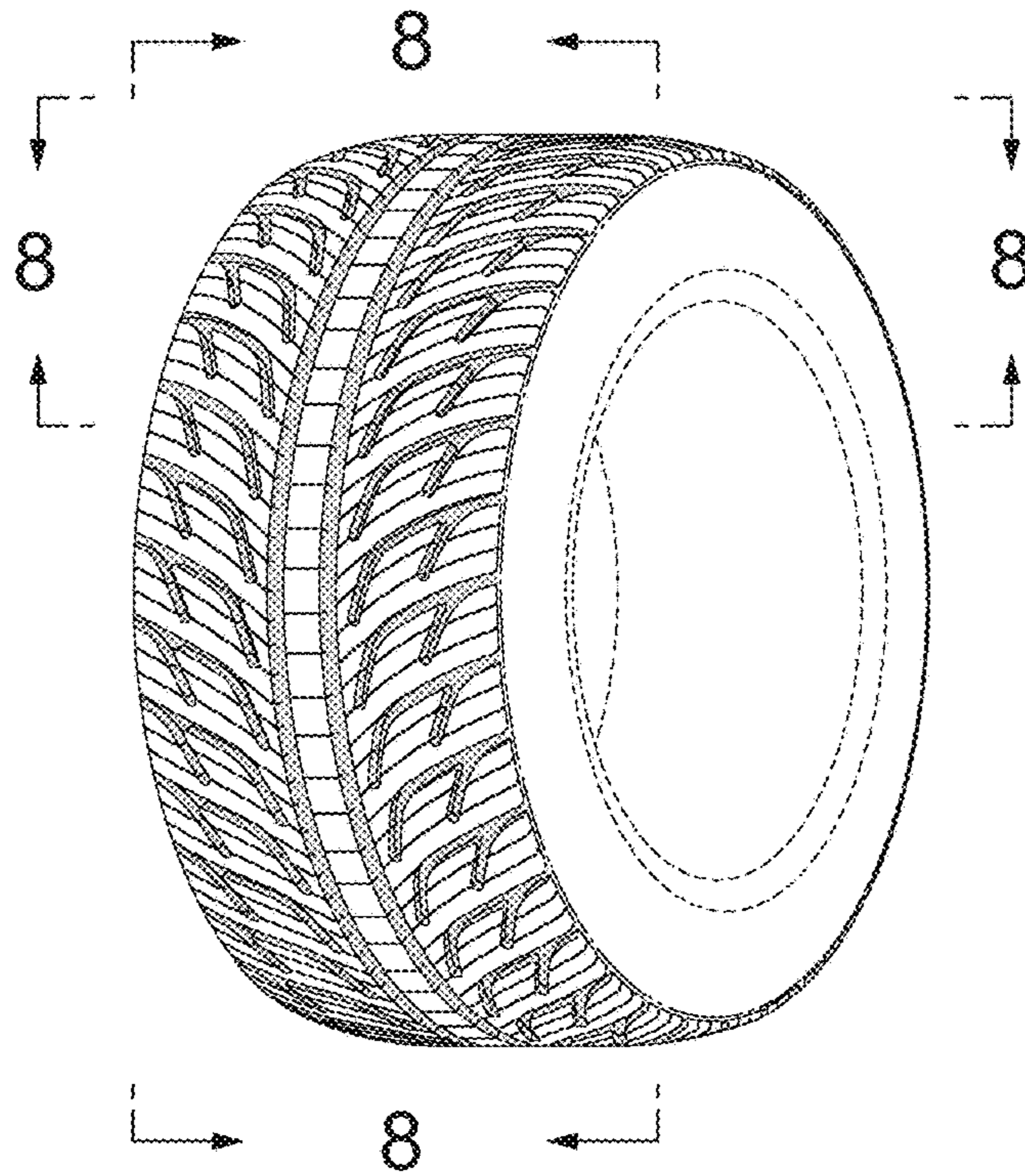


FIG. 2

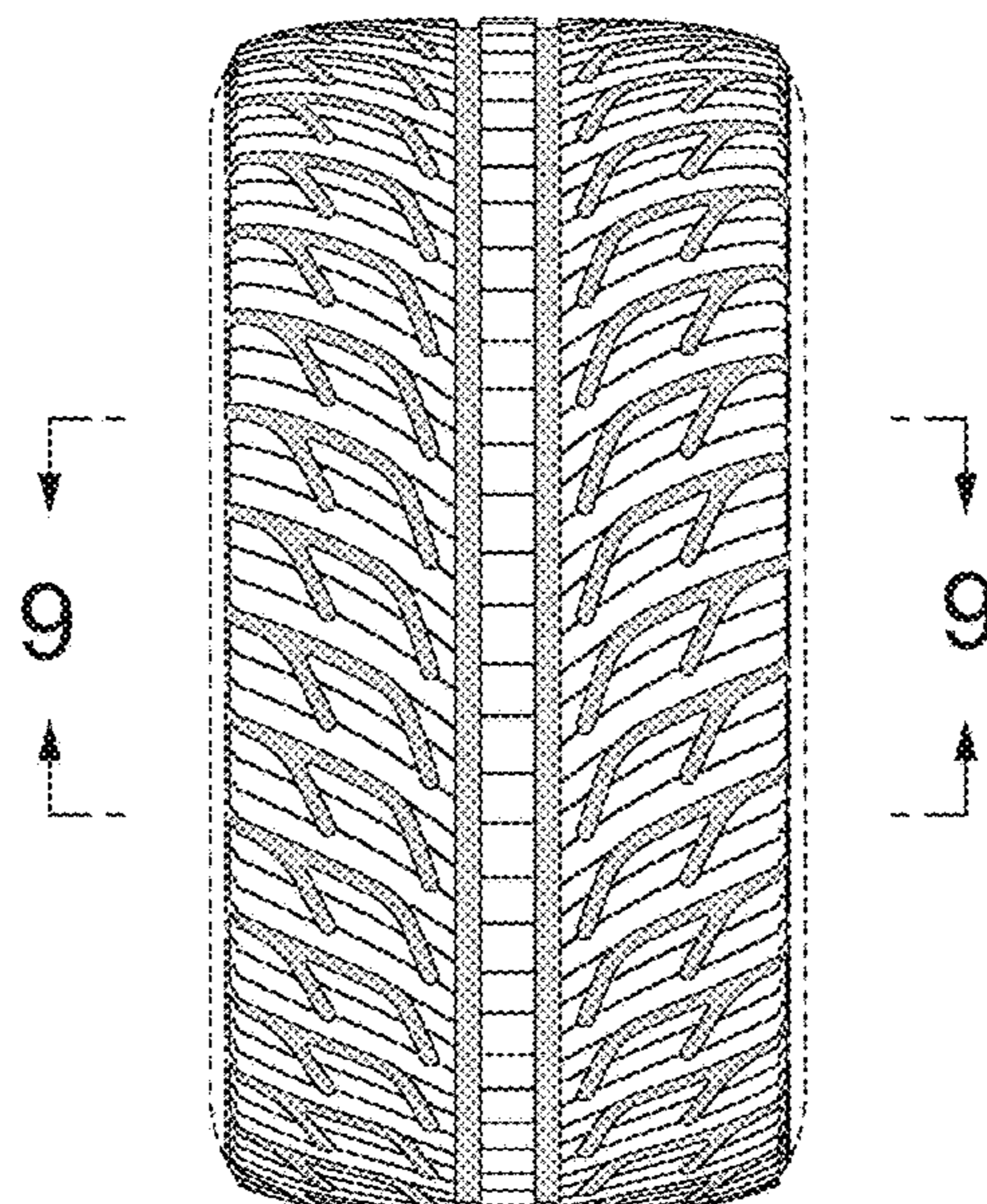


FIG. 3

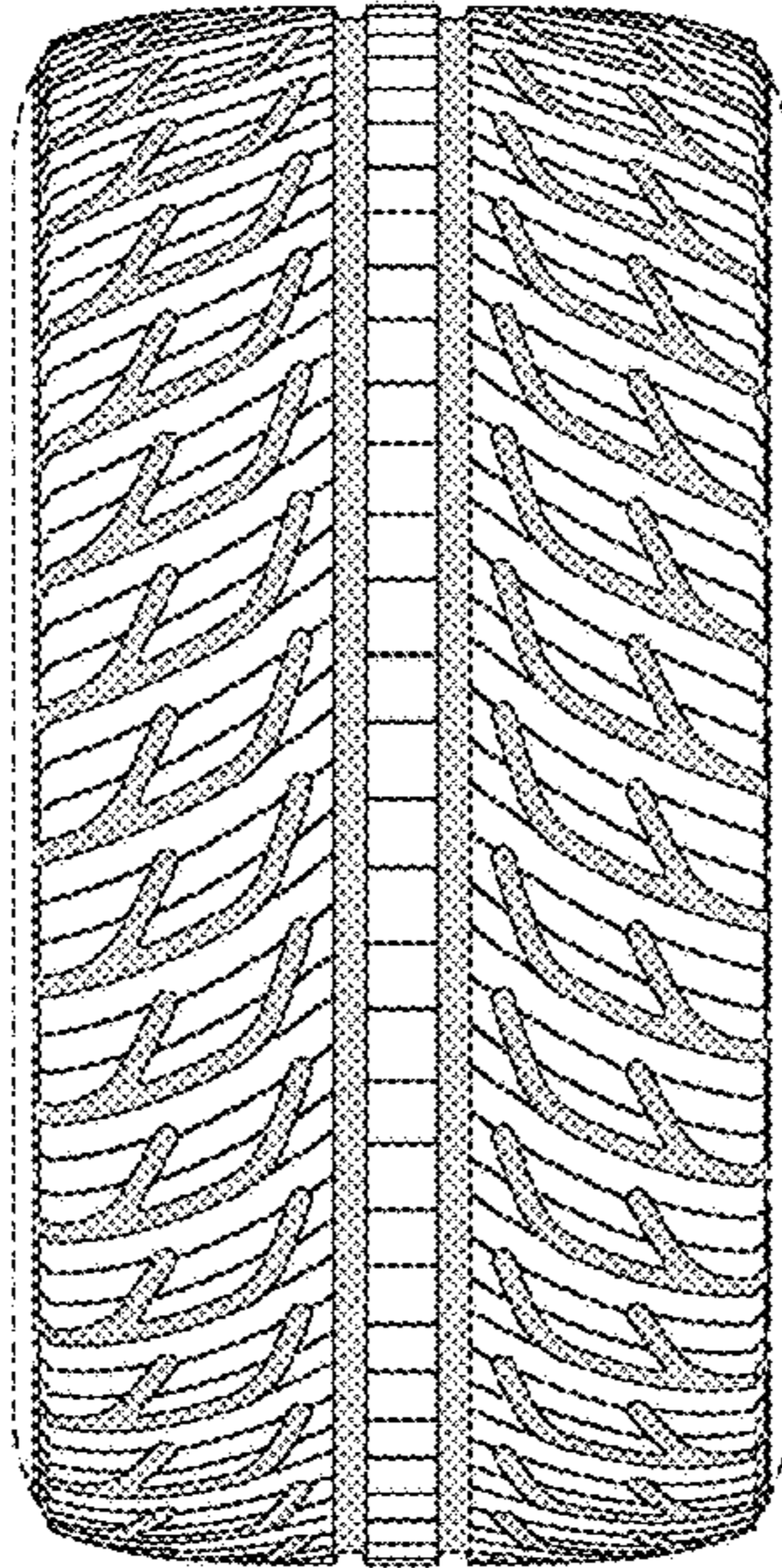


FIG. 4

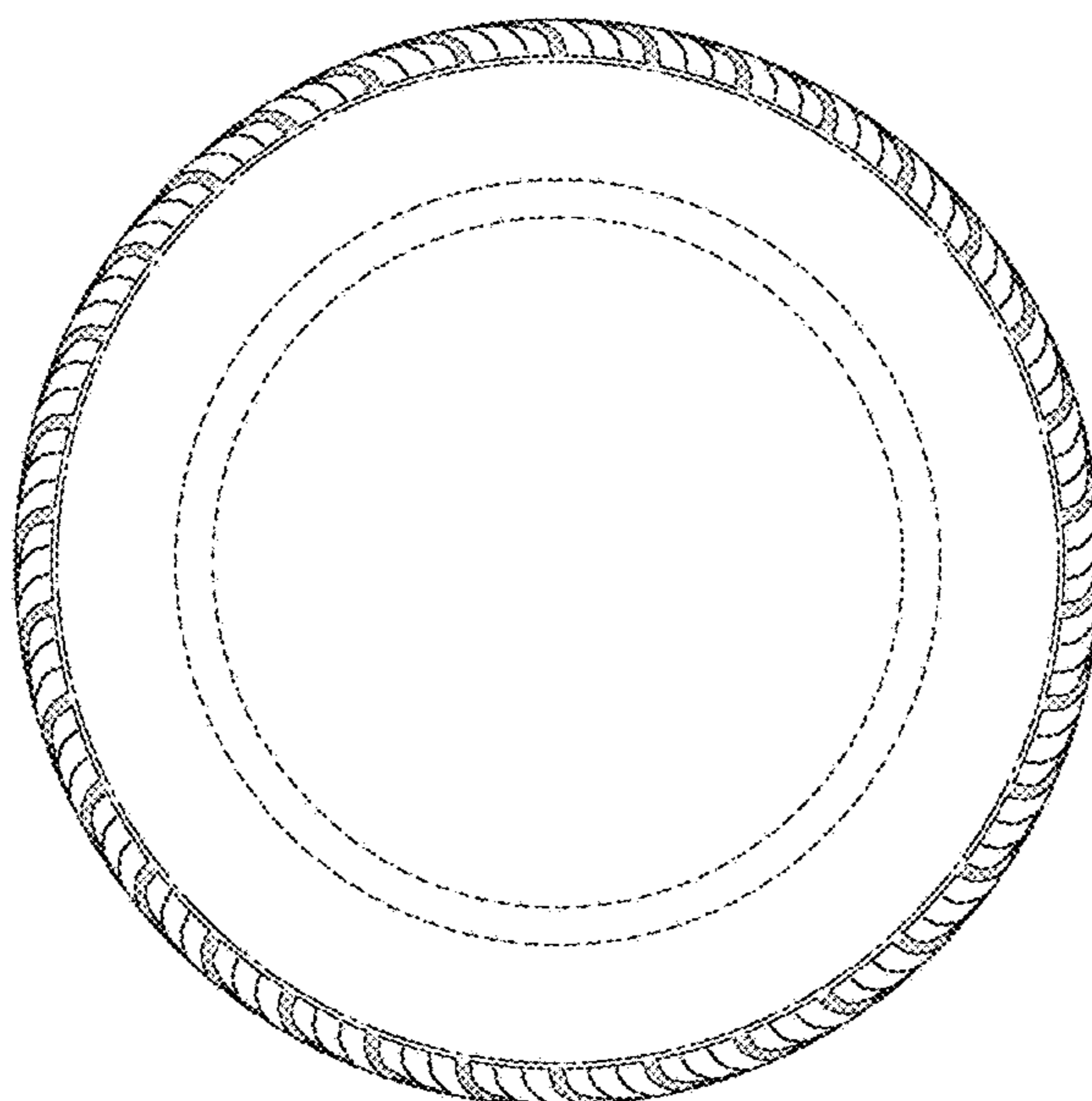


FIG. 5

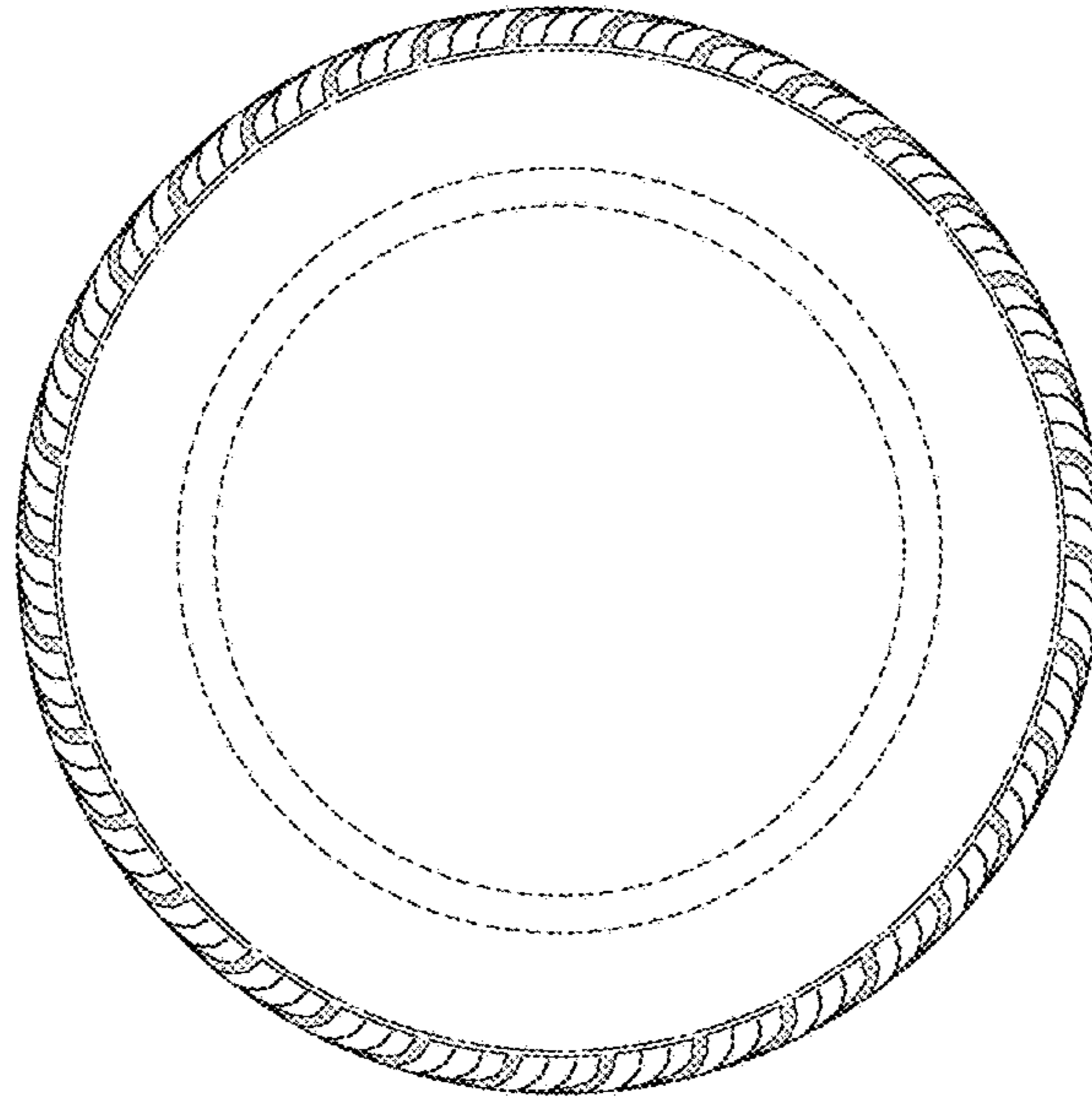


FIG. 6

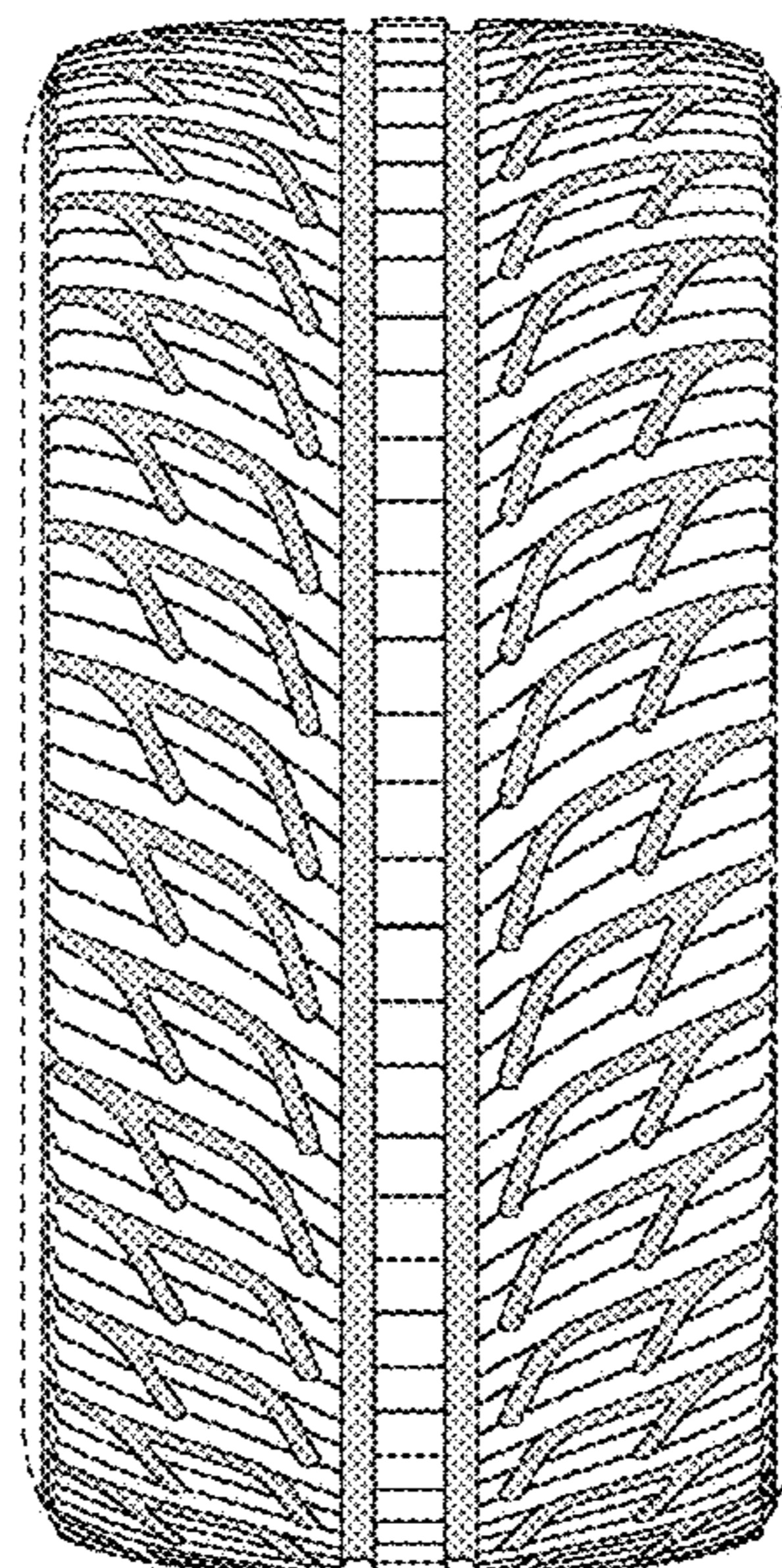


FIG. 7

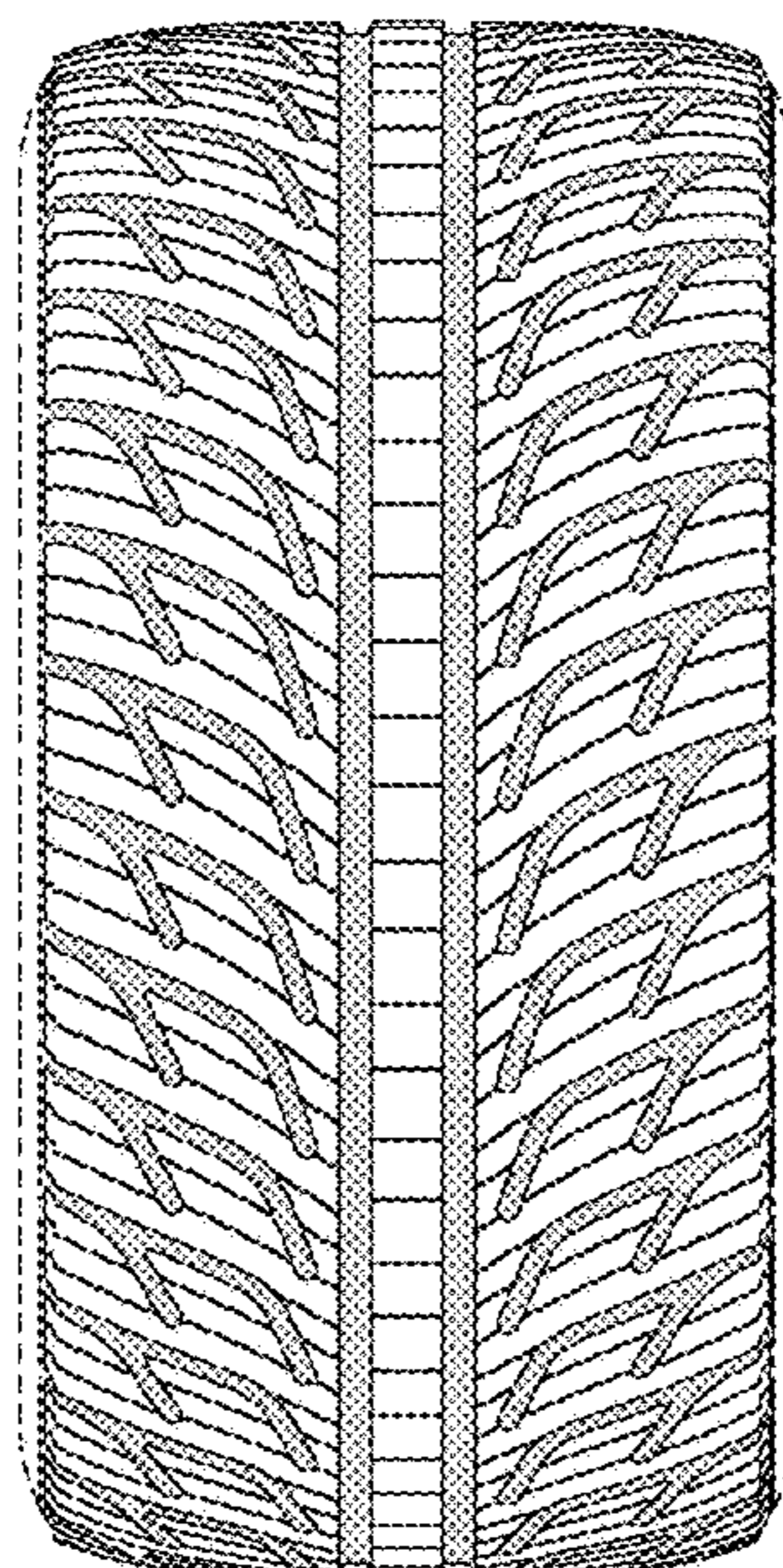


FIG. 8

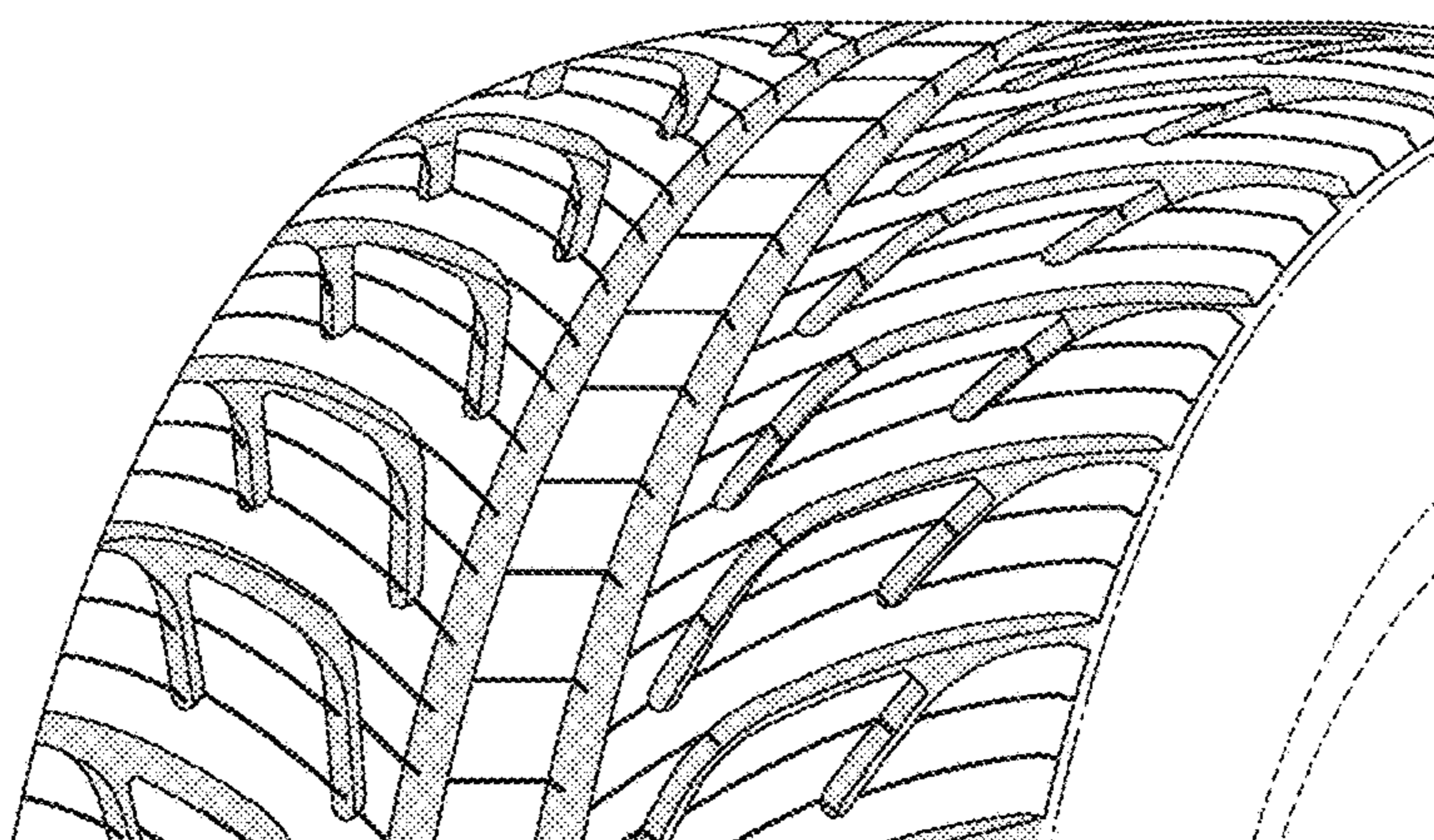


FIG. 9

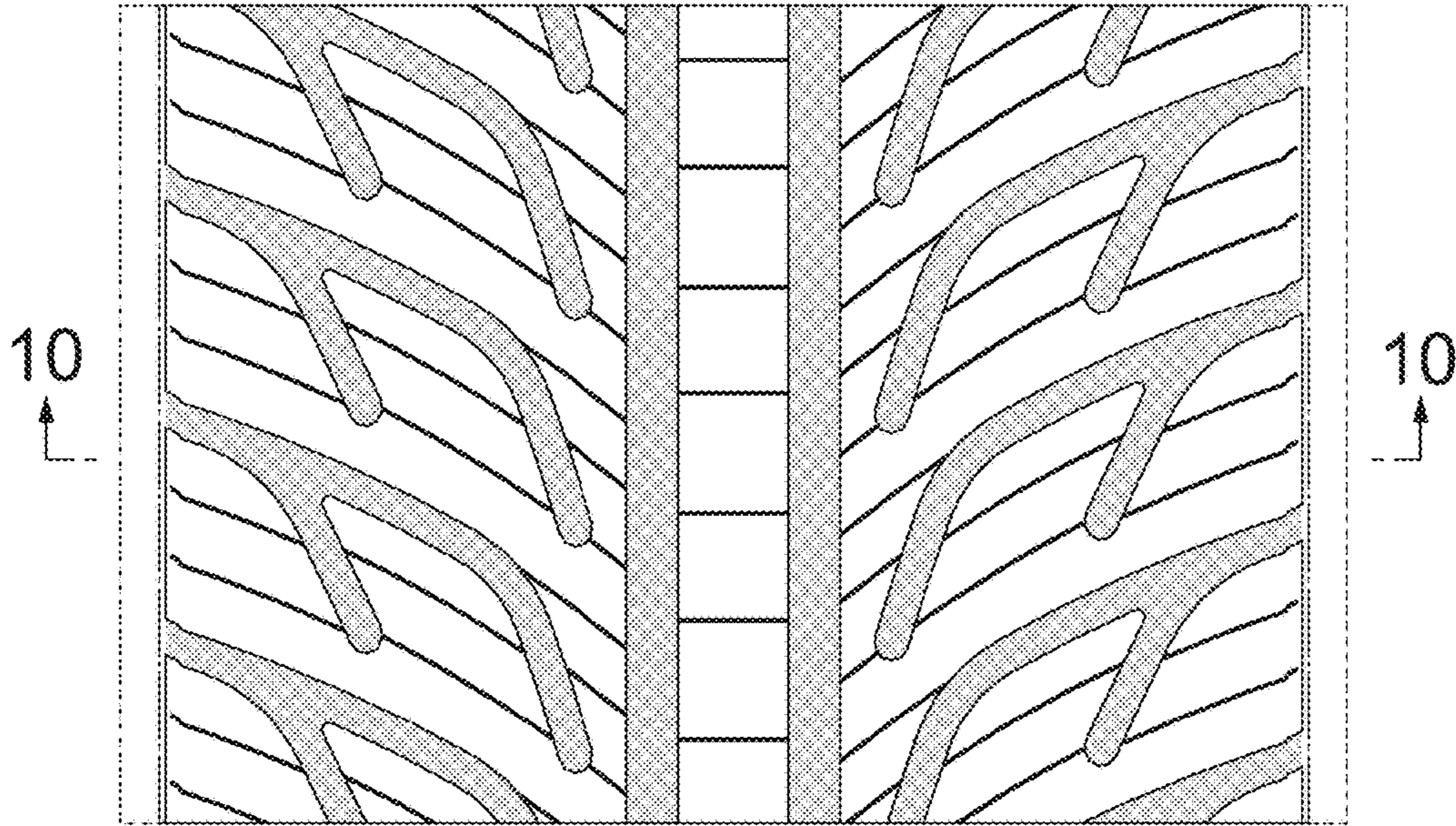


FIG. 10

