



US00D775057S

(12) **United States Design Patent** (10) **Patent No.:** **US D775,057 S**
Meckler et al. (45) **Date of Patent:** **** Dec. 27, 2016**

(54) **BICYCLE TOTE**

FOREIGN PATENT DOCUMENTS

(71) Applicant: **CityBikeBasket LLC**, New York, NY
(US)

CN 202476678 10/2012
CN 202827876 3/2013
WO 9113794 9/1991

(72) Inventors: **Alan M. Meckler**, New York, NY
(US); **Evan Dierlam**, New York, NY
(US)

OTHER PUBLICATIONS

Citi Bike, Meet the Bike, Copyright 2013 NYC Bike Share, LLC.
(10 pages).

(73) Assignee: **CityBikeBasket LLC**, New York, NY
(US)

(Continued)

(**) Term: **14 Years**

Primary Examiner — Darlington Ly

(21) Appl. No.: **29/524,079**

(74) *Attorney, Agent, or Firm* — Michael D. Downs;
Fincham Downs LLC

(22) Filed: **Apr. 16, 2015**

(57) **CLAIM**

We claim the ornamental design for a bicycle tote, as shown
and described.

Related U.S. Application Data

(63) Continuation of application No. 29/488,152, filed on
Apr. 16, 2014, now Pat. No. Des. 742,457.

DESCRIPTION

(51) **LOC (10) Cl.** **12-16**

(52) **U.S. Cl.**
USPC **D12/407; D3/309**

(58) **Field of Classification Search**
USPC D12/11-114, 406, 407, 408; 224/42.11,
224/42.13, 400, 412, 419-427; 280/202,
280/278, 282, 287, 281.1, 288.1-288.3,
280/62, 263, 270, 271, 259, 211; D3/213,
D3/304-315; D6/333-335, 511;
D9/424-425; D19/75, D19/86, 92;
D21/432, 435, 423; D32/37;
206/503-507, 510, 513, 518; 220/485,
220/675-676, 760, 762, 764, 768-769,
220/773; 446/440

This application further relates to, claims priority to and the
benefit of, and incorporates by reference herein U.S. patent
application Ser. No. 29/524,074, filed on Apr. 16, 2015,
titled "Bicycle Tote;" U.S. patent application Ser. No.
29/524,076, filed on Apr. 16, 2015, titled "Bicycle Tote;"
and U.S. patent application Ser. No. 14/688,289, filed on
Apr. 16, 2015, titled "Bicycle Supplemental Carrier Con-
tainer and Associated Methods."

FIG. 1 is a perspective rear view of a bicycle tote according
to the new design;

FIG. 2 is a left-side elevational view of the bicycle tote of
FIG. 1;

FIG. 3 is a right-side elevational view of the bicycle tote of
FIG. 1;

FIG. 4 is a rear elevational view of the bicycle tote of FIG.
1;

FIG. 5 is a front elevational view of the bicycle tote of FIG.
1;

FIG. 6 is a top plan view of the bicycle tote of FIG. 1; and,
FIG. 7 is a bottom plan view of the bicycle tote of FIG. 1.

(Continued)

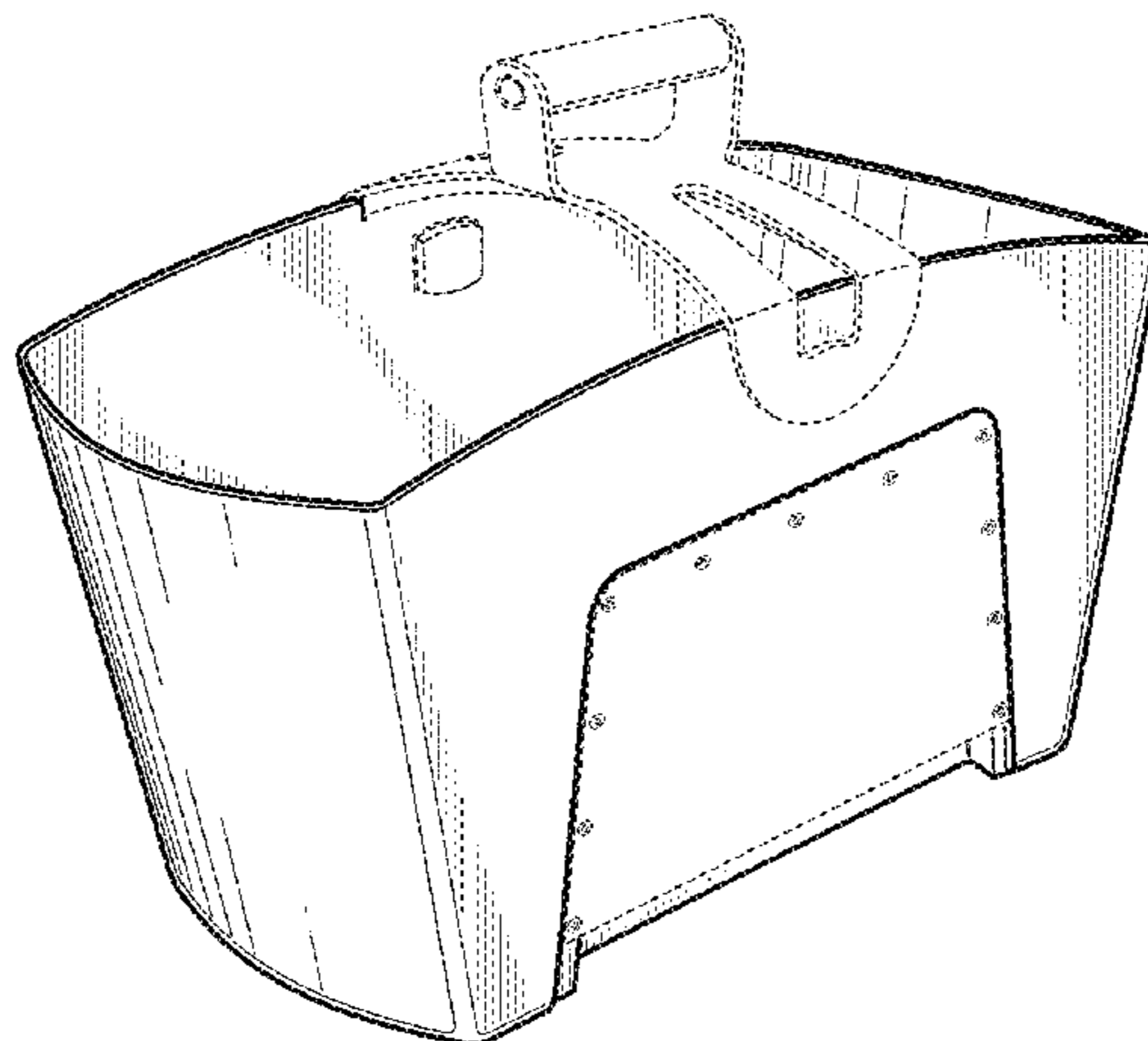
(Continued)

(56) **References Cited**

U.S. PATENT DOCUMENTS

1,802,509 A 4/1931 Hillyard
D135,108 S 2/1943 Utiz

(Continued)



The broken lines showing the handle and backing plate illustrate portions of the bicycle tote that form no part of the claimed design.

1 Claim, 3 Drawing Sheets

(58) **Field of Classification Search**

CPC B62J 7/04; B62J 7/06; B62J 9/00;
B62J 9/001; B62J 9/003

See application file for complete search history.

(56) **References Cited**

U.S. PATENT DOCUMENTS

2,697,460	A	12/1954	Barnett	
3,695,496	A	10/1972	Humlong	
D237,483	S	11/1975	Utiz	
3,995,803	A	12/1976	Utiz	
4,003,508	A	1/1977	Hoops	
D259,099	S *	5/1981	Davis	D3/309
4,390,088	A	6/1983	Brenner	
4,730,758	A	3/1988	McMurtrey	
D326,550	S *	5/1992	Waterman	D3/304
5,282,554	A *	2/1994	Thomas	224/421
5,353,973	A	10/1994	McMurtrey	
5,406,816	A	4/1995	Thomas	
D364,272	S *	11/1995	Brightbill	D3/312
D400,355	S *	11/1998	Apenes	D3/309

D404,571	S *	1/1999	Evans	D3/312
D497,253	S *	10/2004	Alves	D3/309
D509,063	S *	9/2005	Giampavolo	D3/314
D594,812	S *	6/2009	Helgerson	D12/407
D611,709	S *	3/2010	Ceravolo	D3/304
D626,493	S	11/2010	Dallaire et al.	
8,074,852	B2	12/2011	Crum, Jr. et al.	
8,322,583	B2	12/2012	Crum, Jr. et al.	
D676,370	S	2/2013	Pawsat et al.	
D687,148	S	7/2013	Knieriem et al.	
D716,553	S *	11/2014	Wang	D3/307
D722,946	S *	2/2015	Armstrong et al.	D12/407
2010/0133309	A1 *	6/2010	Lee	224/420
2012/0152993	A1	6/2012	Chen	
2013/0233755	A1	9/2013	Lampe	
2013/0263896	A1	10/2013	Garnett	

OTHER PUBLICATIONS

Bike World, Axiom QR Dual-Function Premium Pet Basket, San Antonio, Texas, Feb. 13, 2014. (5 pages).
Notice of Allowance for U.S. Appl. No. 29/524,076 dated Mar. 29, 2016; 8 pages.
Notice of Allowance for U.S. Appl. No. 29/524,074 dated Mar. 23, 2016; 9 pages.
Notice of Allowance for U.S. Pat. No. D. 742,457 dated Jun. 19, 2015; 7 pages.
Office Action for U.S. Pat. No. D. 742,457 dated Jan. 22, 2015; 6 pages.

* cited by examiner

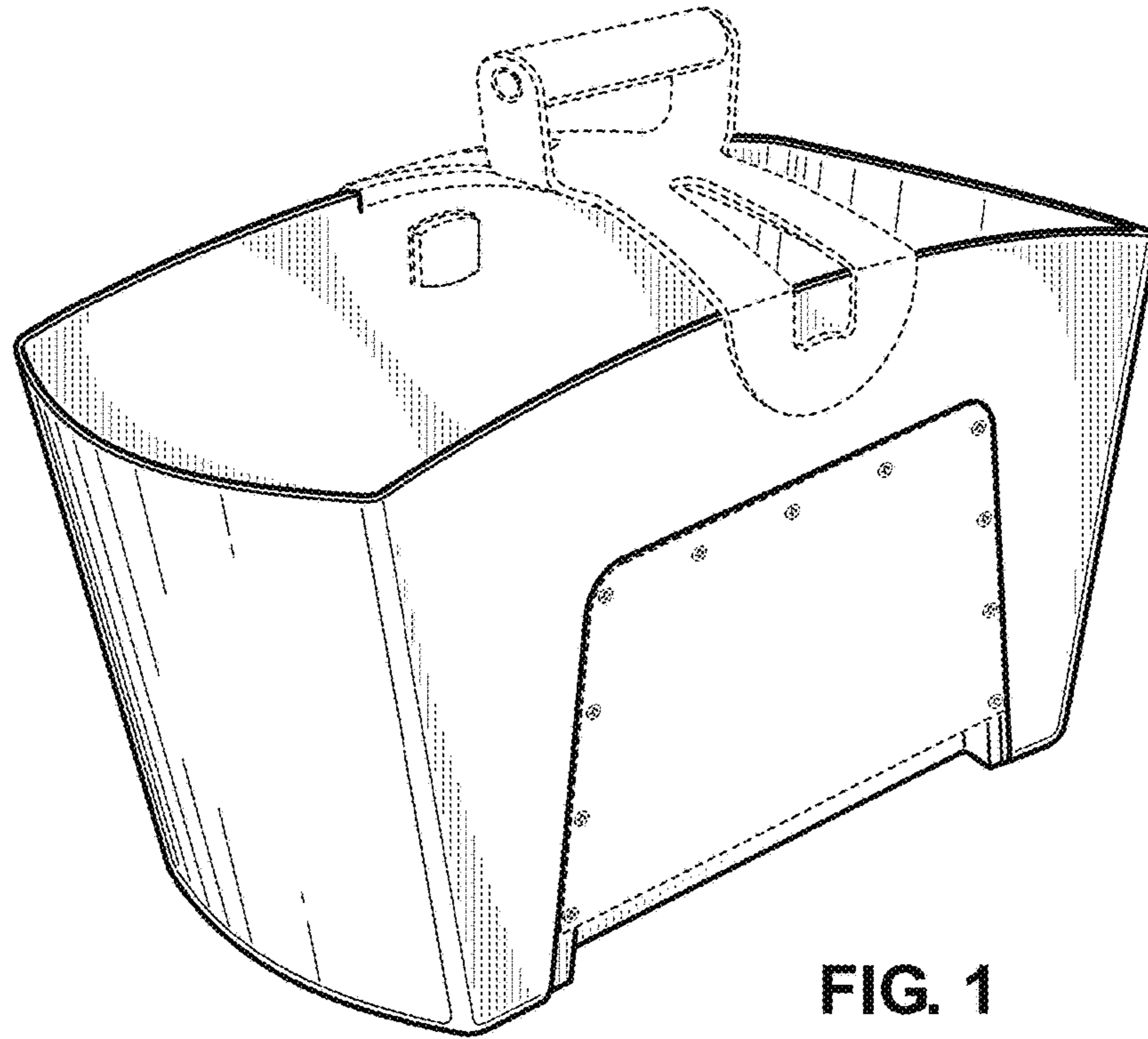


FIG. 1

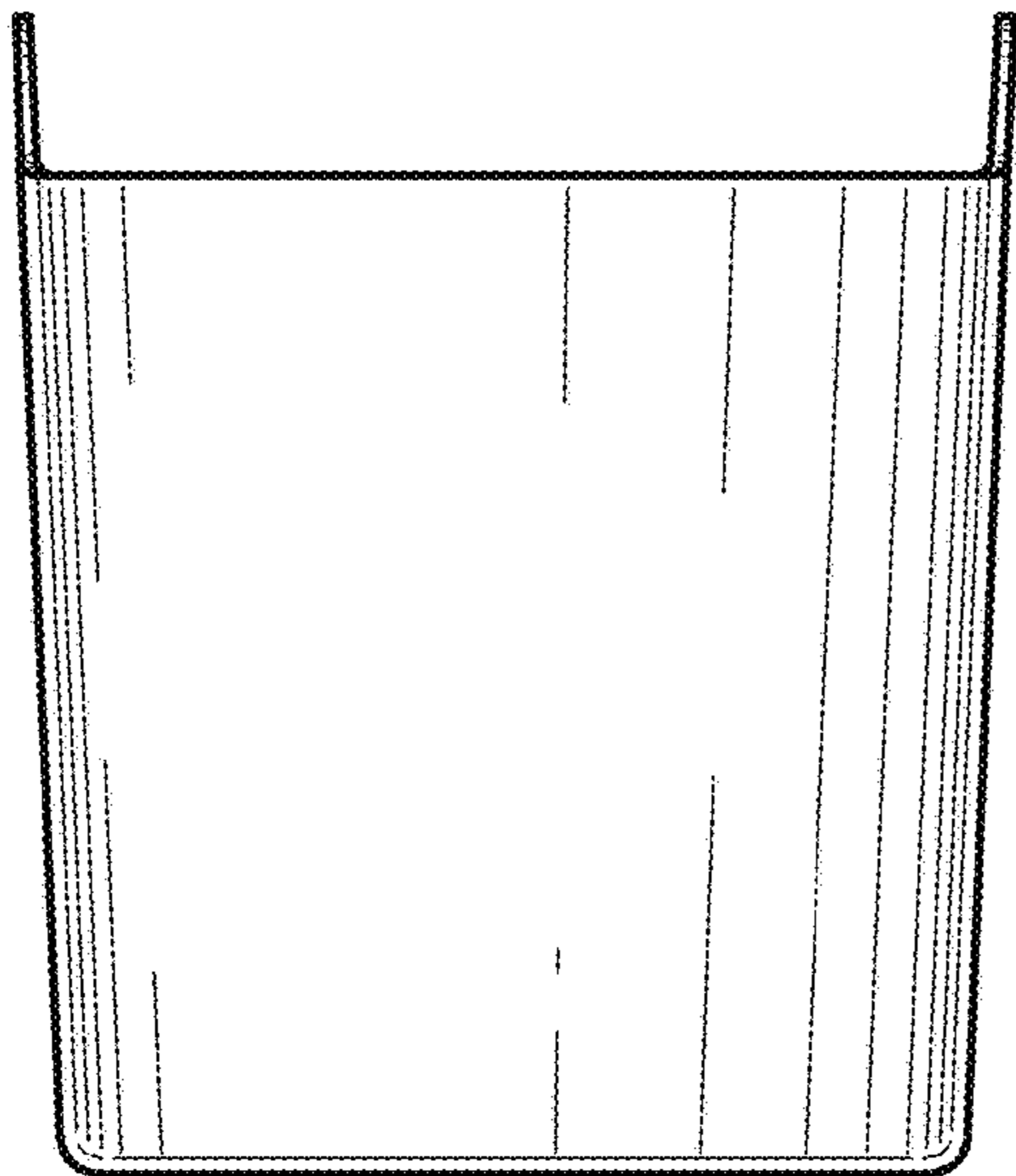


FIG. 2

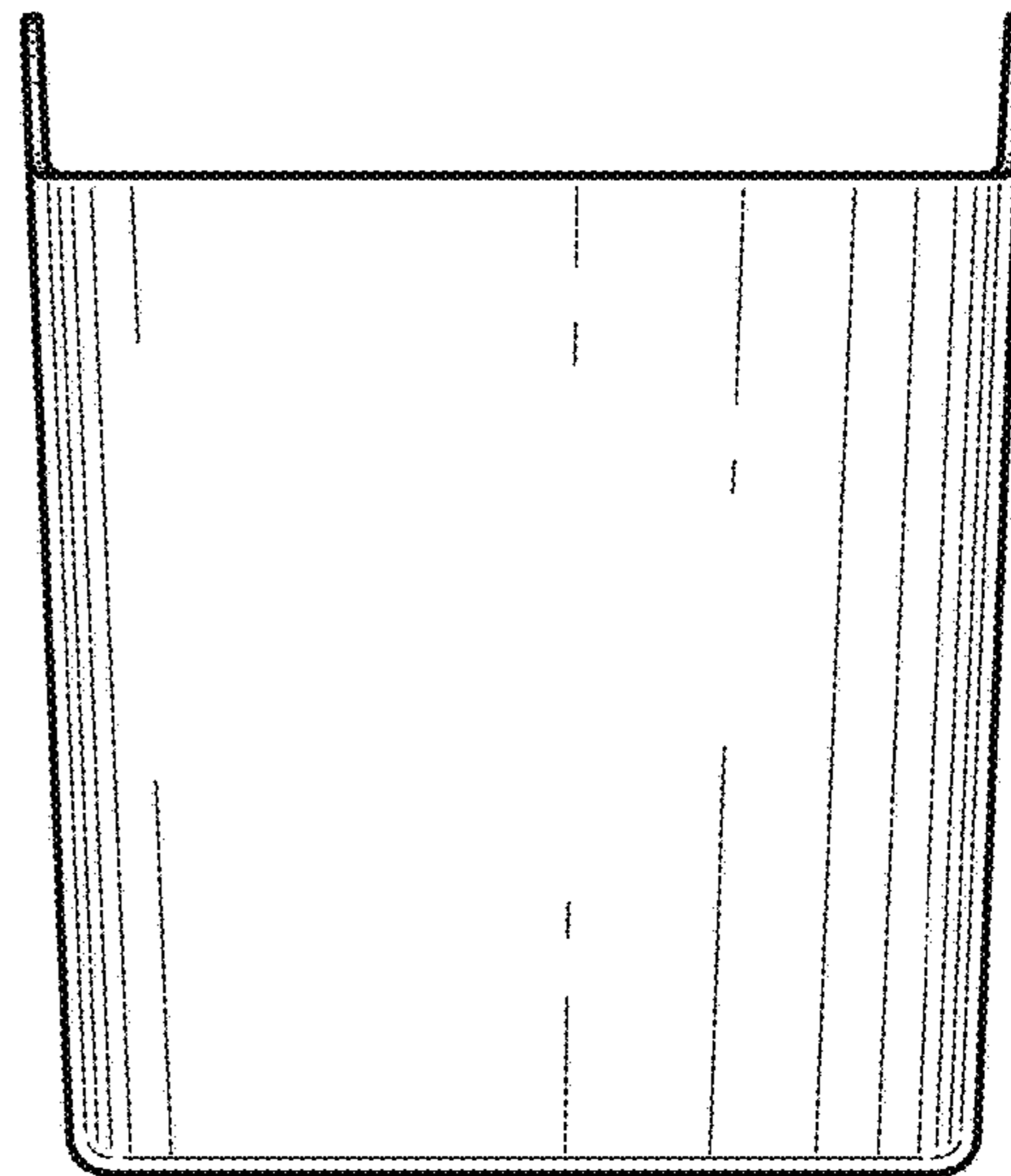


FIG. 3

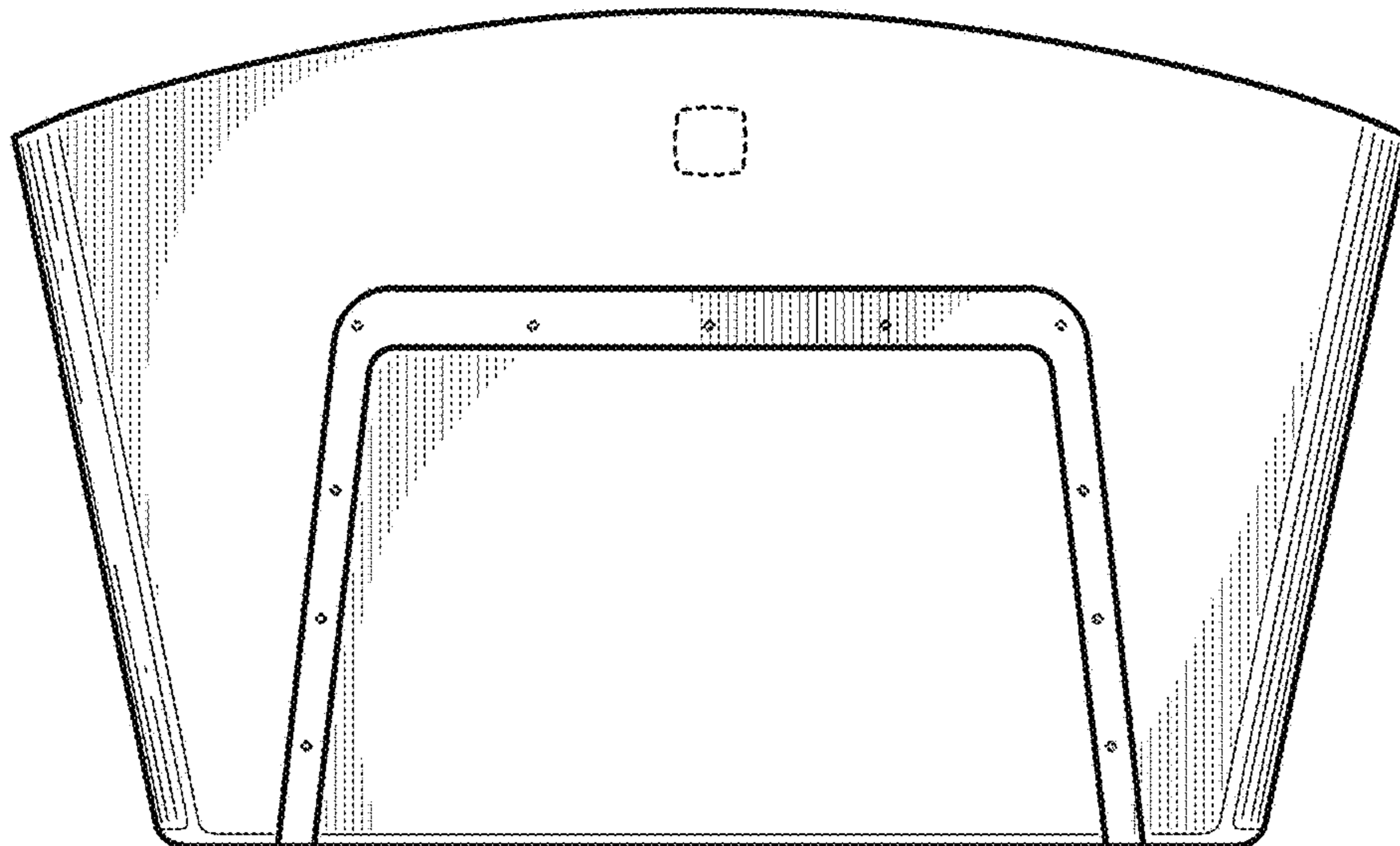


FIG. 4

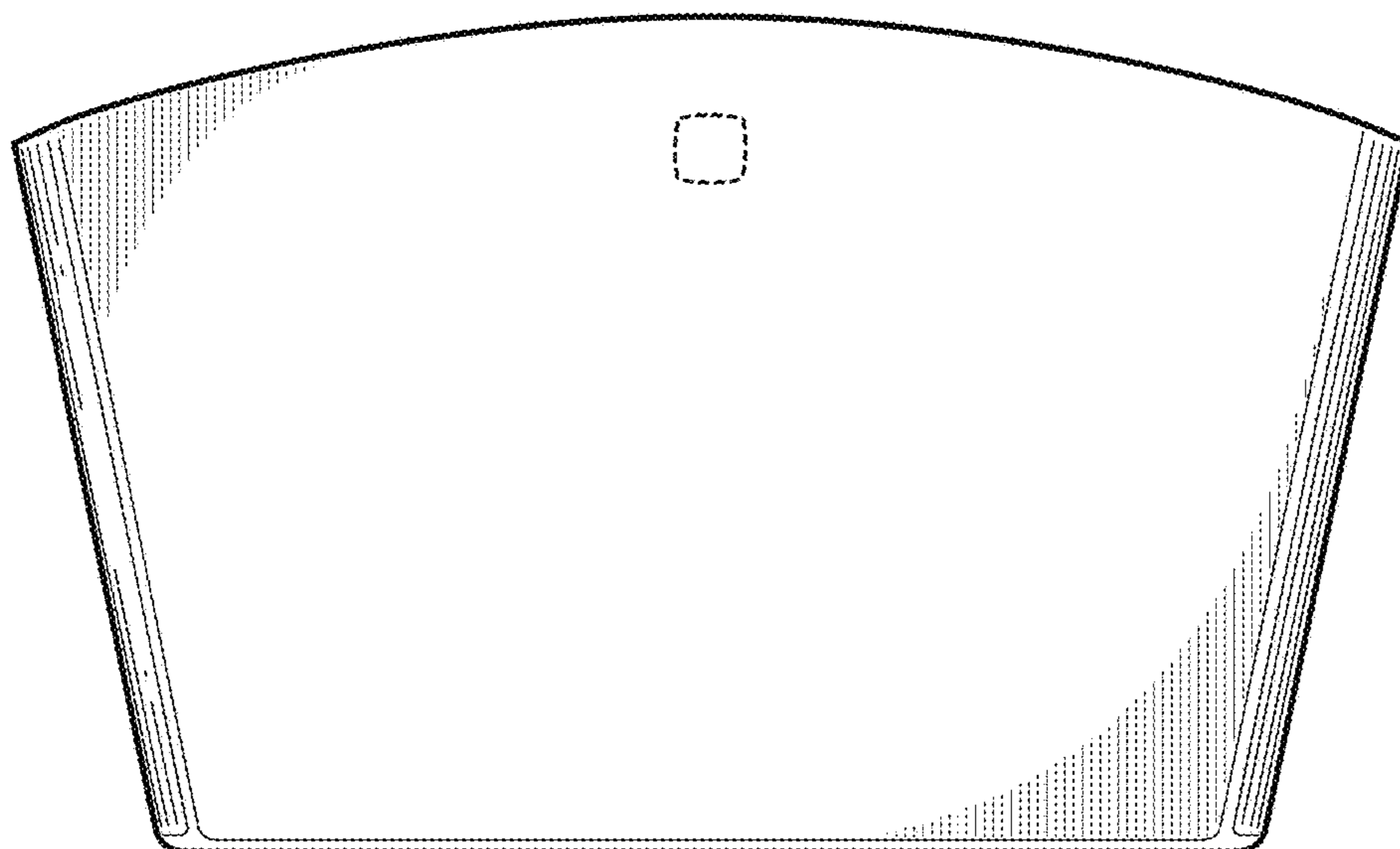


FIG. 5

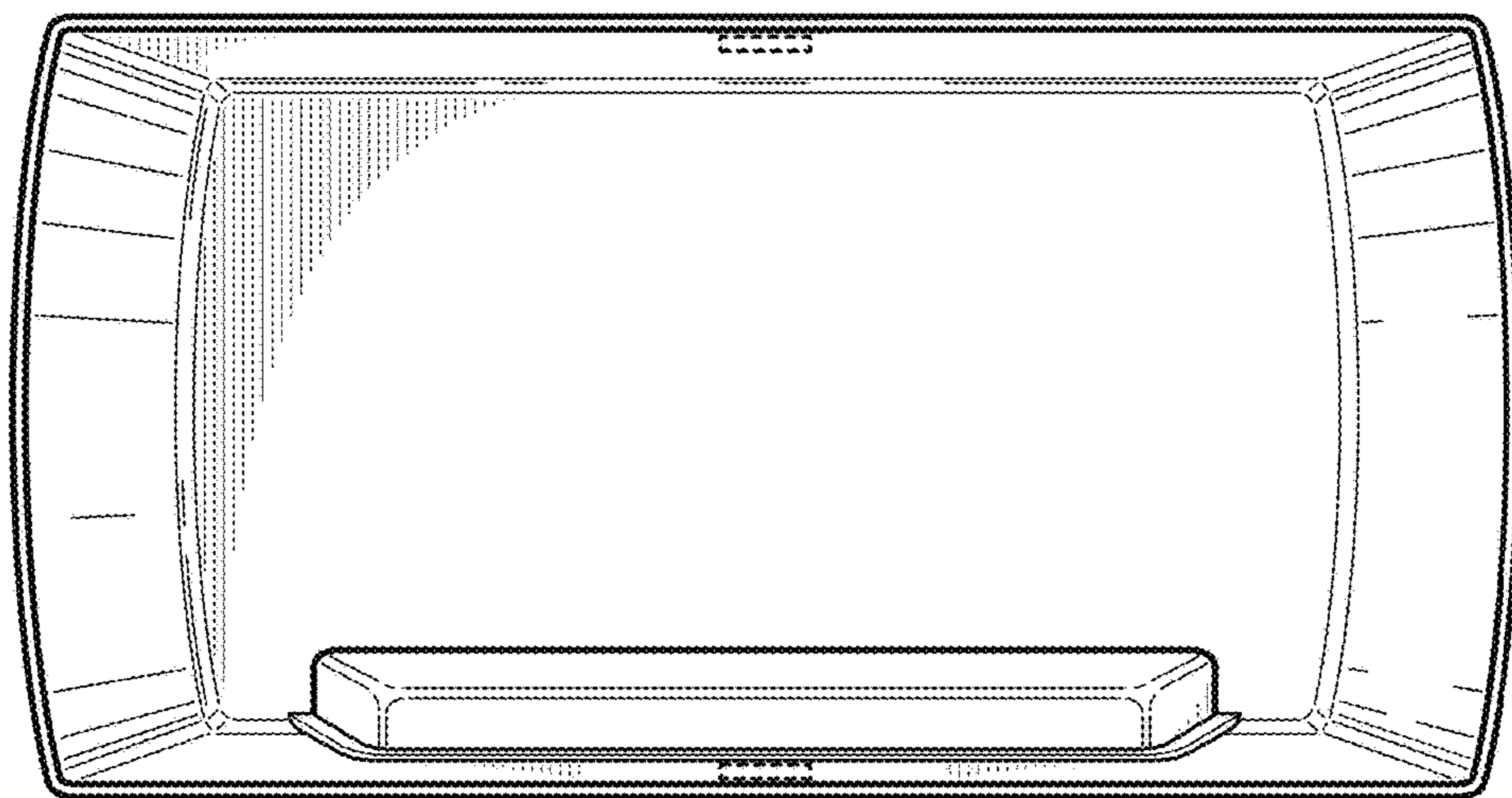


FIG. 6

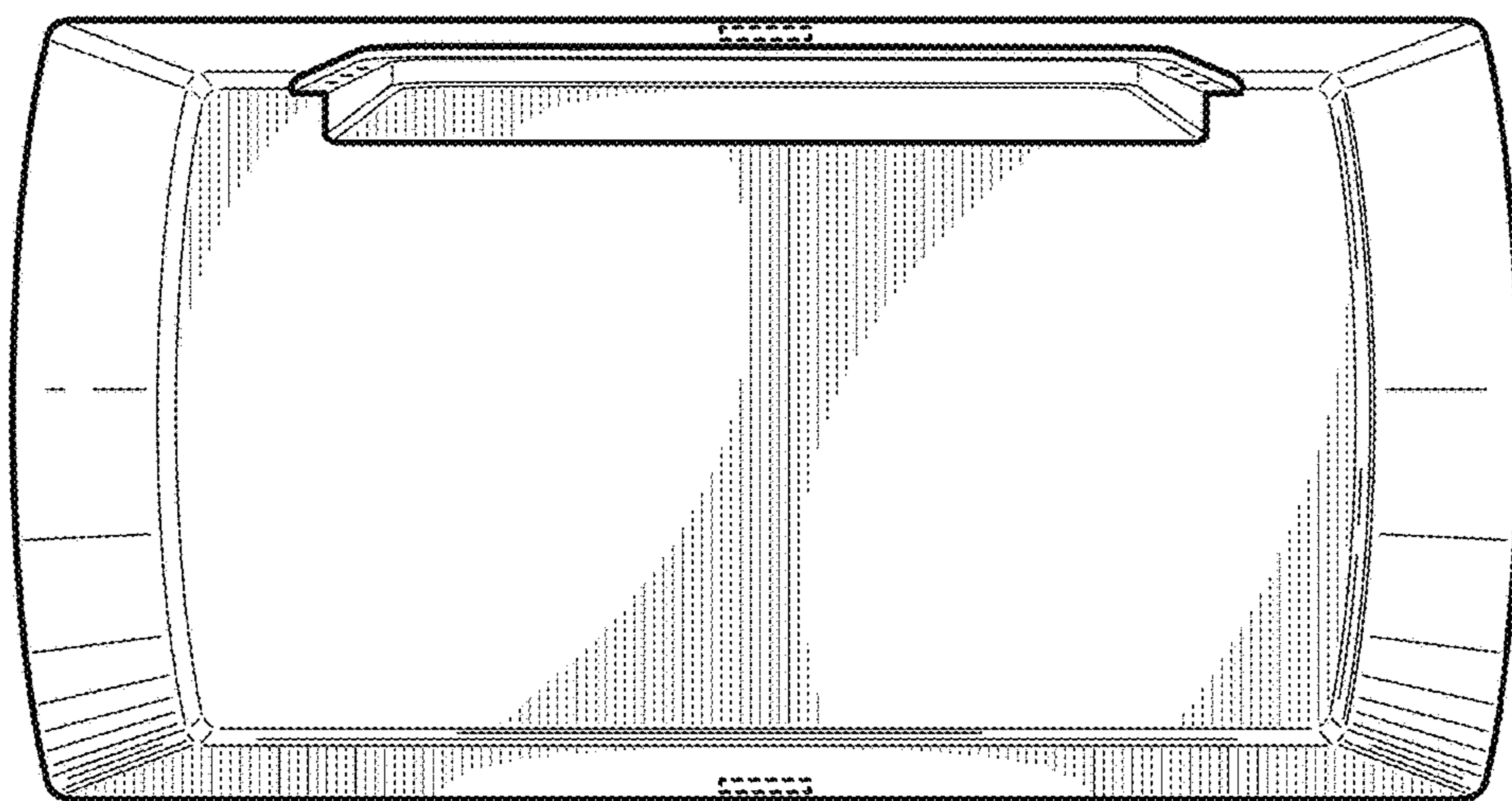


FIG. 7