



US00D775054S

(12) **United States Design Patent** (10) **Patent No.:** **US D775,054 S**  
**Lakin et al.** (45) **Date of Patent:** **\*\* Dec. 27, 2016**

- (54) **TWIN HULL BOAT**
- (71) Applicants: **Ron Lakin**, North Scituate, RI (US);  
**Jarrold Scanlon**, East Greenwich, RI (US)
- (72) Inventors: **Ron Lakin**, North Scituate, RI (US);  
**Jarrold Scanlon**, East Greenwich, RI (US)
- (\*\*) Term: **15 Years**
- (21) Appl. No.: **29/534,527**
- (22) Filed: **Jul. 29, 2015**
- (51) **LOC (10) Cl.** ..... **12-06**
- (52) **U.S. Cl.**  
USPC ..... **D12/300; D21/310**
- (58) **Field of Classification Search**  
USPC ..... D12/300, 305-307, 310-318;  
D21/542-544, 547  
CPC ..... B63B 1/042; B63B 1/107; B63B 1/121;  
B63B 1/186; B63B 1/20; B63B 1/201; B63B 1/203; B63B 1/204; B63B 2001/206  
See application file for complete search history.

D356,288 S *	3/1995	Walls .....	D12/300
5,458,078 A *	10/1995	Perette .....	B63B 1/20 114/273
D384,028 S *	9/1997	Veazey .....	D12/300
D402,618 S *	12/1998	Veazey .....	D12/300
D413,855 S *	9/1999	Price .....	D12/300
D438,506 S *	3/2001	Munson .....	D12/300
D544,045 S *	6/2007	Hamasaki .....	D21/542
D642,109 S *	7/2011	Finbow .....	D12/300
D736,139 S *	8/2015	Smith .....	D12/300
D739,331 S *	9/2015	Munson .....	D12/310

\* cited by examiner

*Primary Examiner* — Cynthia M Chin  
(74) *Attorney, Agent, or Firm* — Barlow, Josephs & Holmes, Ltd.

(57) **CLAIM**

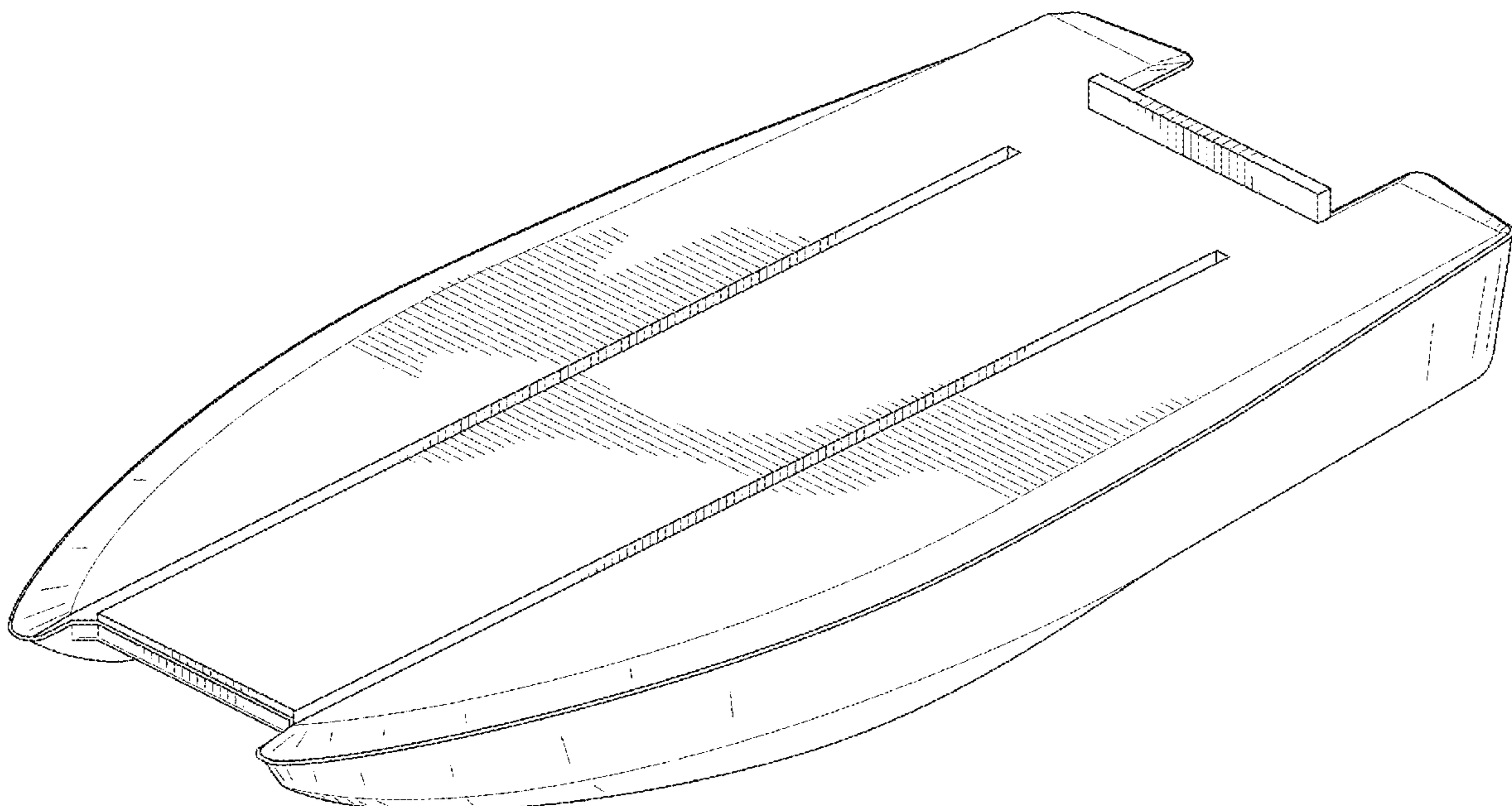
The ornamental design for a twin boat hull, as shown and described.

**DESCRIPTION**

FIG. 1 is a front perspective view of a twin boat hull, showing my new design;  
FIG. 2 is a front view thereof;  
FIG. 3 is a rear view thereof;  
FIG. 4 is a right view thereof;  
FIG. 5 is a left view thereof;  
FIG. 6 is a top view thereof; and,  
FIG. 7 is a bottom view thereof.

**1 Claim, 5 Drawing Sheets**

- (56) **References Cited**  
U.S. PATENT DOCUMENTS  
3,046,926 A \* 7/1962 Miller ..... B63B 1/042  
114/61.2  
D326,839 S \* 6/1992 LaPointe ..... D12/300



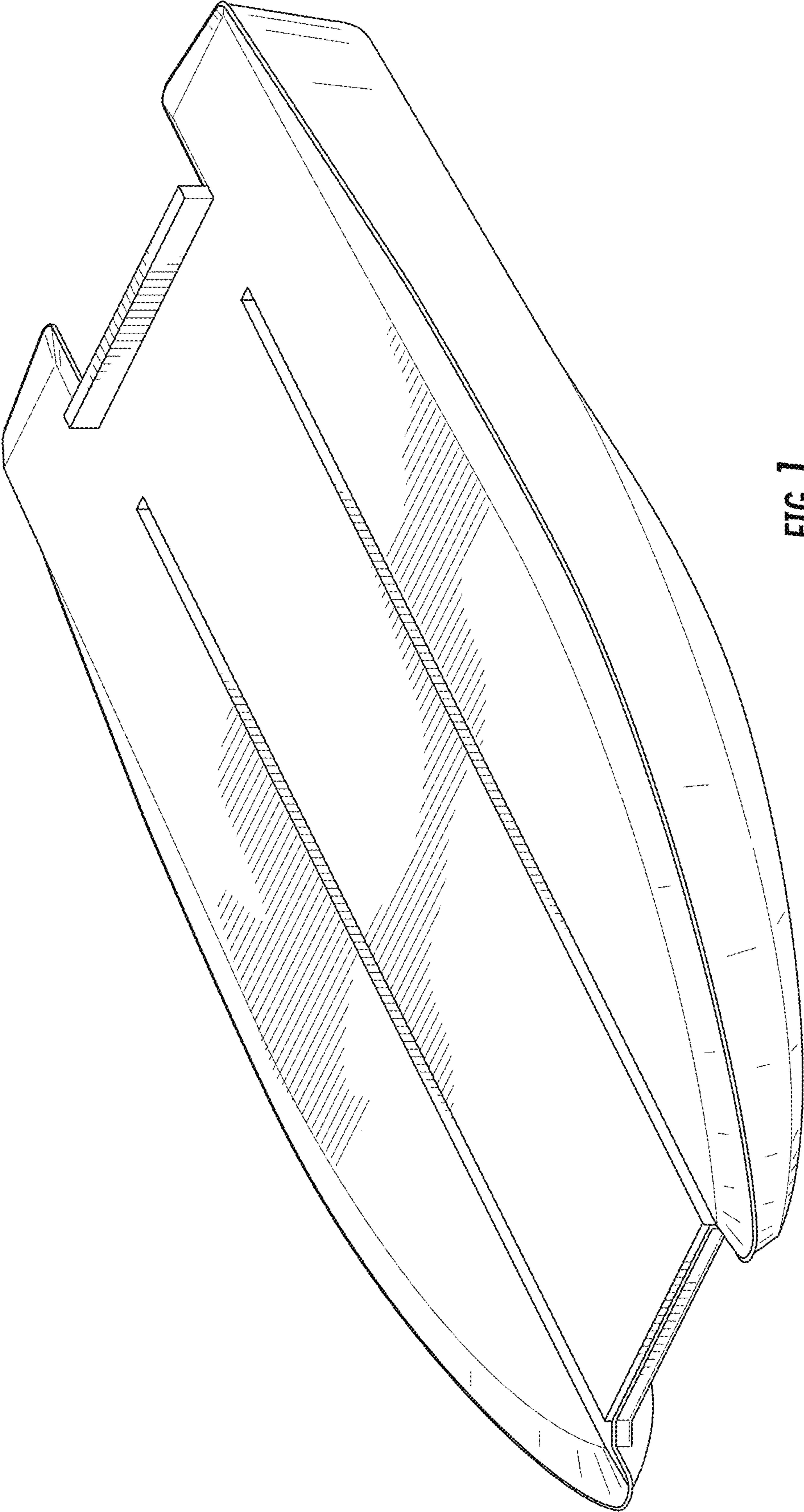
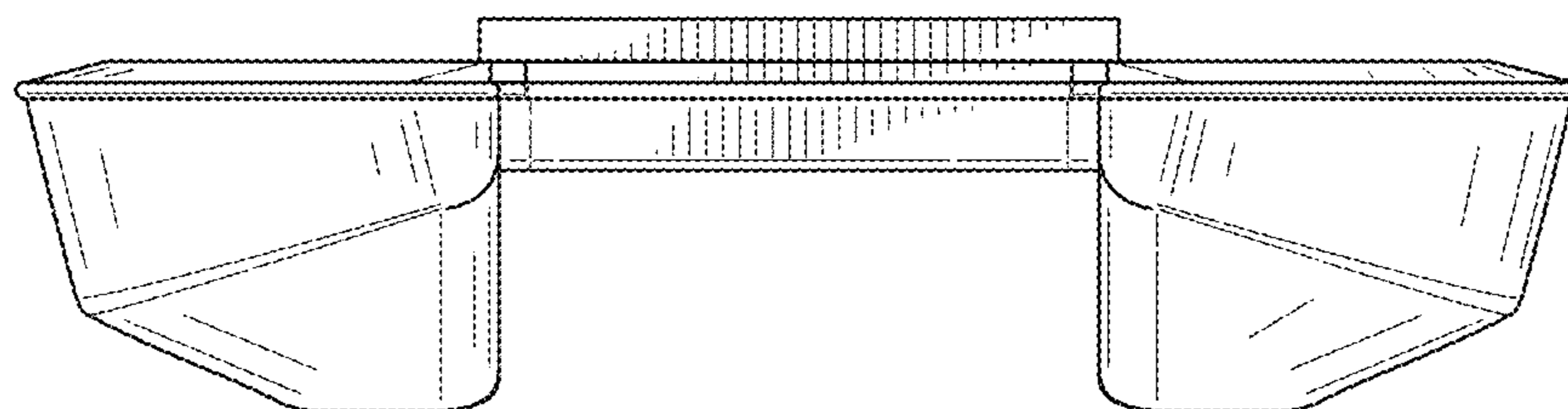
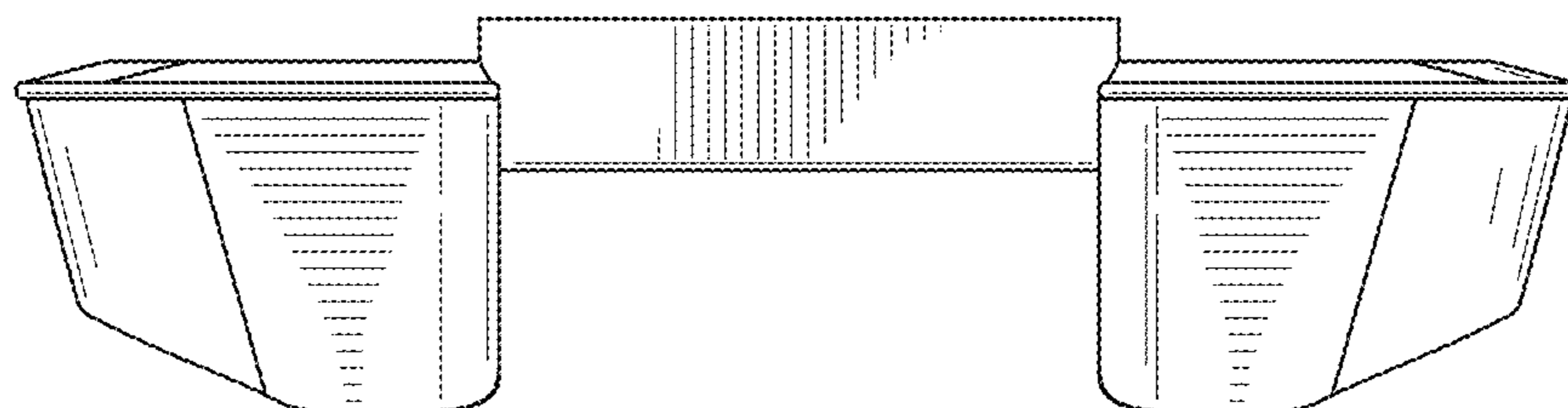


FIG. 1



**FIG. 2**



**FIG. 3**

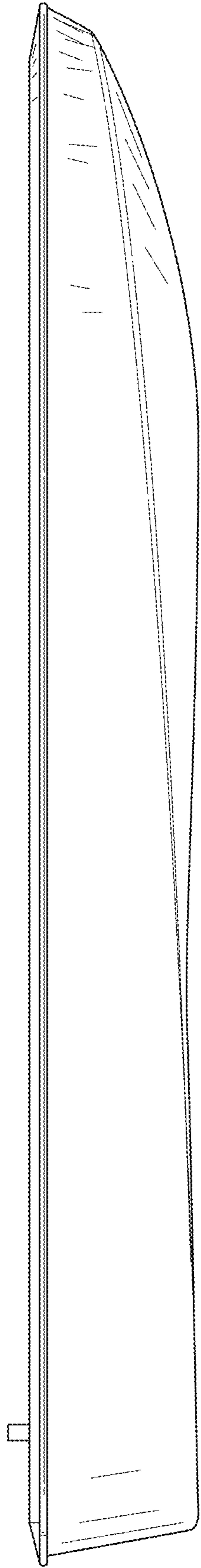


FIG. 4

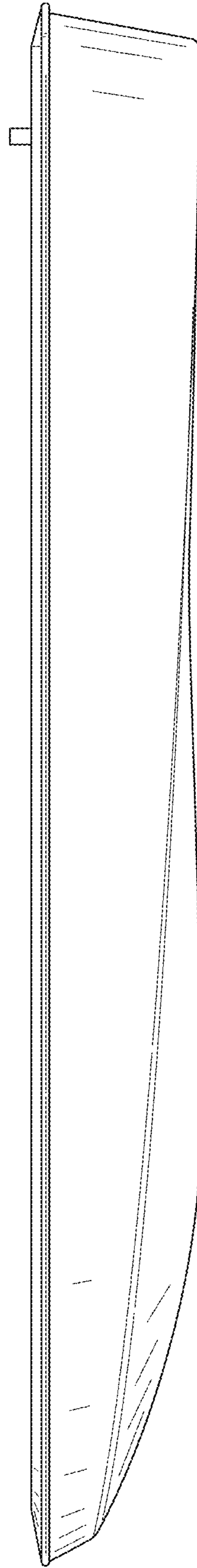


FIG. 5

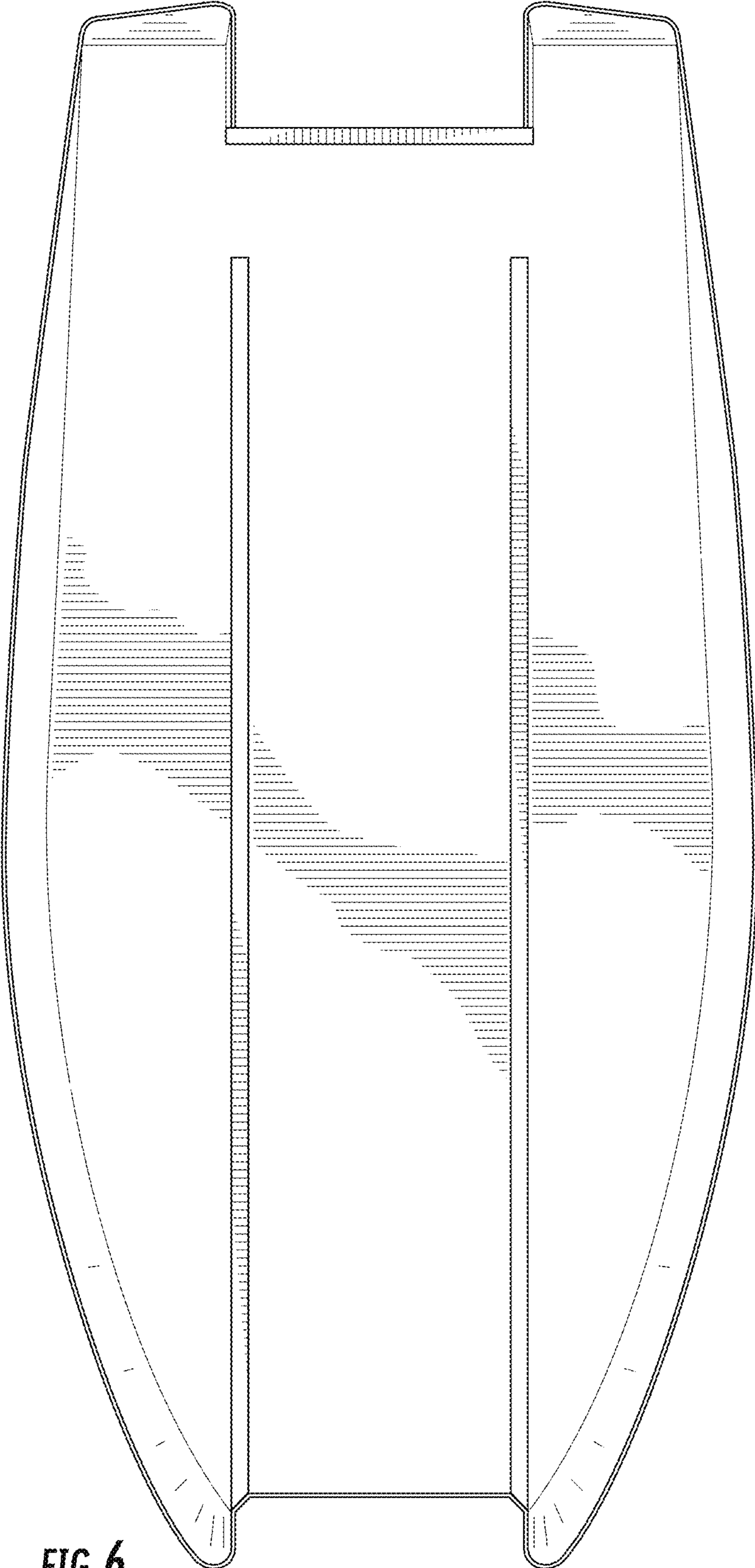


FIG. 6

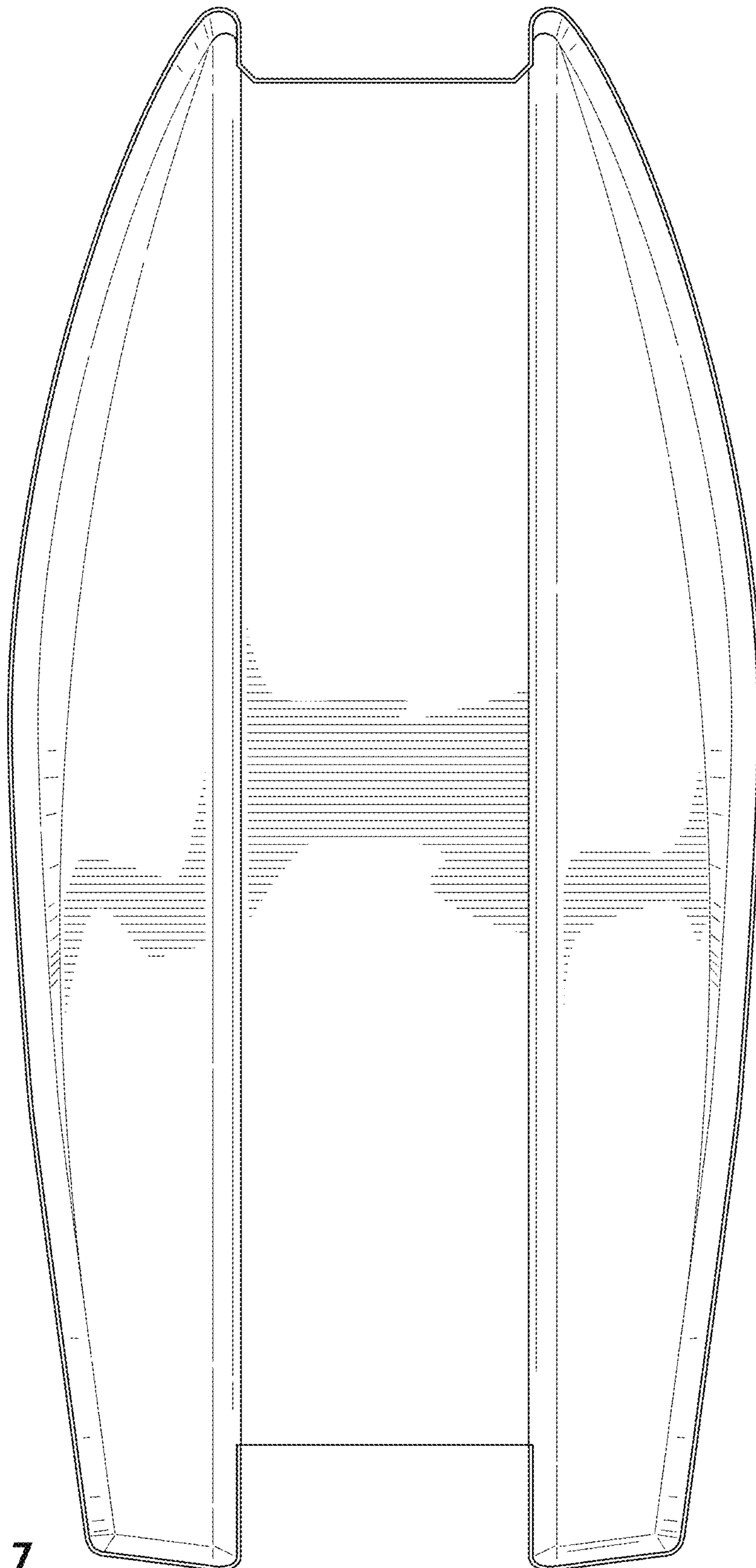


FIG. 7