



US00D775053S

(12) **United States Design Patent** (10) **Patent No.:** **US D775,053 S**
Saeger et al. (45) **Date of Patent:** **** Dec. 27, 2016**

- (54) **AUXILIARY FUEL TANK WITHOUT SIDEWALLS**
- (71) Applicant: **Generac Power Systems, Inc.**,
Waukesha, WI (US)
- (72) Inventors: **Nic Saeger**, Pewaukee, WI (US);
Margaret Whitney Montondo,
Waukesha, WI (US)
- (73) Assignee: **Generac Power Systems, Inc.**,
Waukesha, WI (US)
- (**) Term: **14 Years**
- (21) Appl. No.: **29/511,292**
- (22) Filed: **Dec. 9, 2014**
- (51) **LOC (10) Cl.** **12-11**
- (52) **U.S. Cl.**
USPC **D12/218**
- (58) **Field of Classification Search**
USPC D12/110, 197, 218, 223; D9/435-454;
D15/1, 3, 5, 17, 28; 180/69.4, 219, 225;
220/4.14, 86.2, 288, 560.04, DIG. 33;
280/833-835
CPC B60K 15/03; B60K 15/07; B60K 11/00;
B60K 11/04; B62J 35/00
See application file for complete search history.

- 7,246,717 B2 7/2007 Rodgers et al.
- D588,054 S * 3/2009 Xi-Ren D12/218
- 7,543,793 B2 6/2009 Graham et al.
- 7,589,429 B2 9/2009 Hunter
- D623,720 S * 9/2010 Brown D23/211.1
- D644,160 S * 8/2011 Fries D12/218
- D669,100 S * 10/2012 Ringer D15/28
- D685,452 S * 7/2013 Turner D23/211.1
- D698,302 S * 1/2014 Waymire D12/218
- D702,320 S * 4/2014 Pifer D23/233
- 8,739,821 B2 6/2014 Murabayashi et al.

(Continued)

Primary Examiner — Darlington Ly
(74) *Attorney, Agent, or Firm* — Boyle Fredrickson, S.C.

(57) **CLAIM**

The ornamental design of an auxiliary fuel tank without sidewalls, substantially as shown and described.

DESCRIPTION

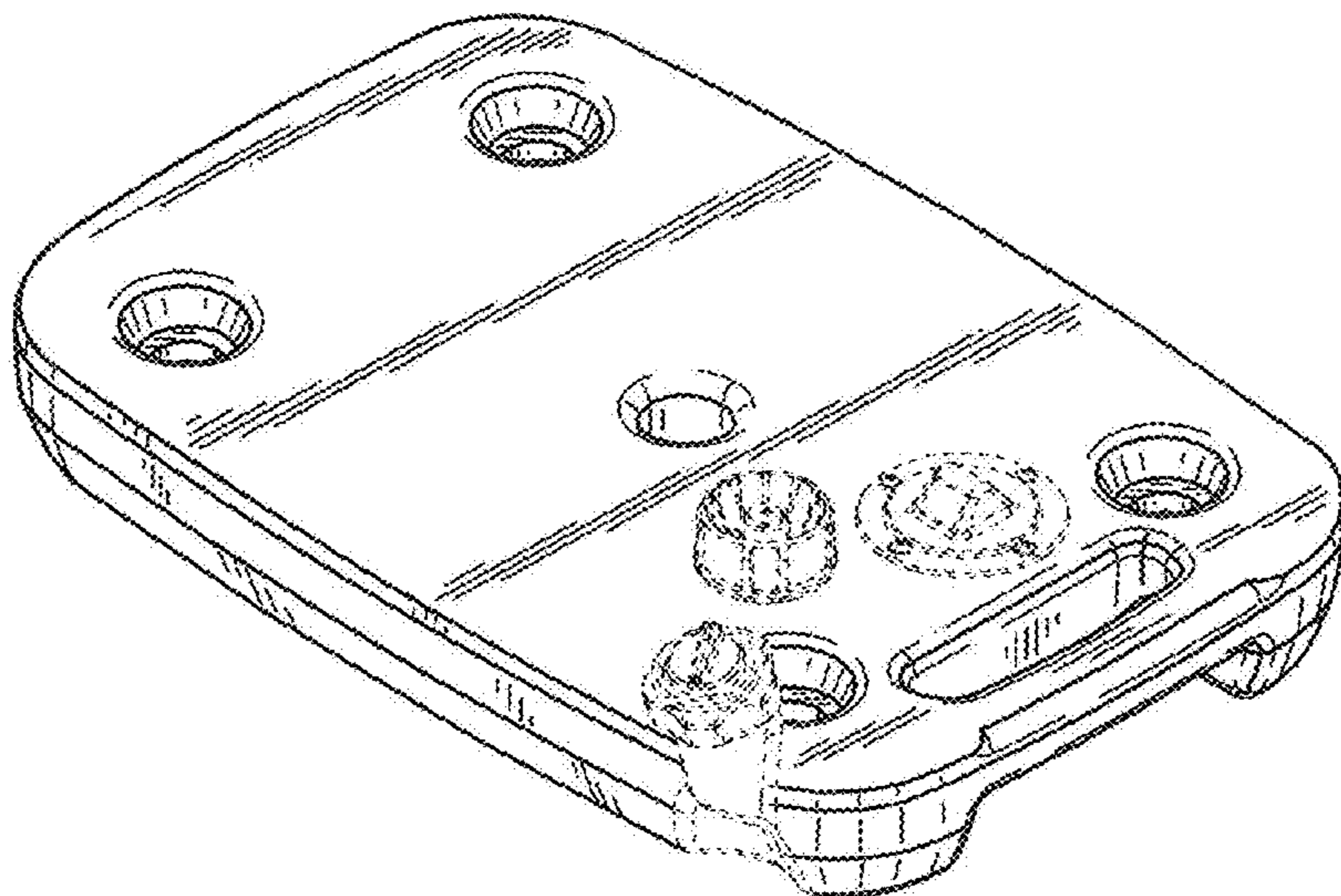
FIG. 1 is an isometric view of an auxiliary fuel tank without sidewalls in accordance with the present invention;
 FIG. 2 is a top plan view of the auxiliary fuel tank without sidewalls of FIG. 1;
 FIG. 3 is a bottom plan view of the auxiliary fuel tank without sidewalls of FIG. 1;
 FIG. 4 is a right side elevational view of a first side of the auxiliary fuel tank without sidewalls of FIG. 1;
 FIG. 5 is a left side elevational view of a second side of the auxiliary fuel tank without sidewalls of FIG. 1;
 FIG. 6 is a front elevational view of a first end of the auxiliary fuel tank without sidewalls of FIG. 1; and,
 FIG. 7 is a rear elevational view of a second end of the auxiliary fuel tank without sidewalls of FIG. 1.
 The broken lines in the drawings illustrate portions of the auxiliary fuel tank without sidewalls that form no part of the claimed design.

1 Claim, 5 Drawing Sheets

(56) **References Cited**

U.S. PATENT DOCUMENTS

- 5,181,541 A 1/1993 Bodenheimer
- 5,620,111 A 4/1997 Gehman
- D390,183 S * 2/1998 Manwill D12/218
- 5,744,940 A 4/1998 Colton et al.
- 6,026,975 A 2/2000 Slater
- 6,520,124 B2 2/2003 Bohm, II
- 6,750,556 B2 6/2004 Sodermann et al.



(56)

References Cited

U.S. PATENT DOCUMENTS

D717,721 S * 11/2014 Guaresimo D12/414
D728,632 S * 5/2015 Klassen D12/218
D728,633 S * 5/2015 Klassen D12/218
2009/0308876 A1 12/2009 Christofferson et al.

* cited by examiner

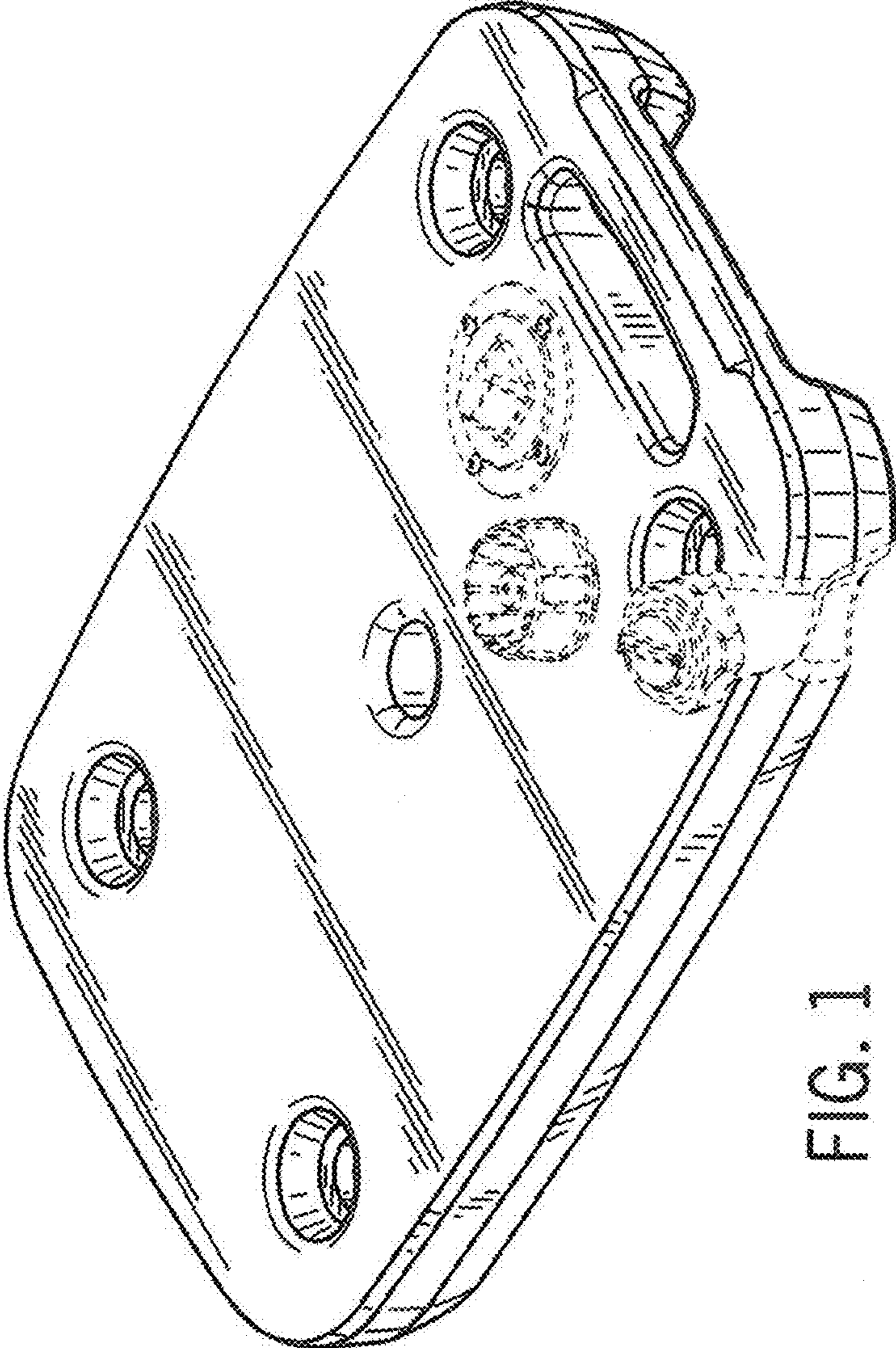


FIG. 1

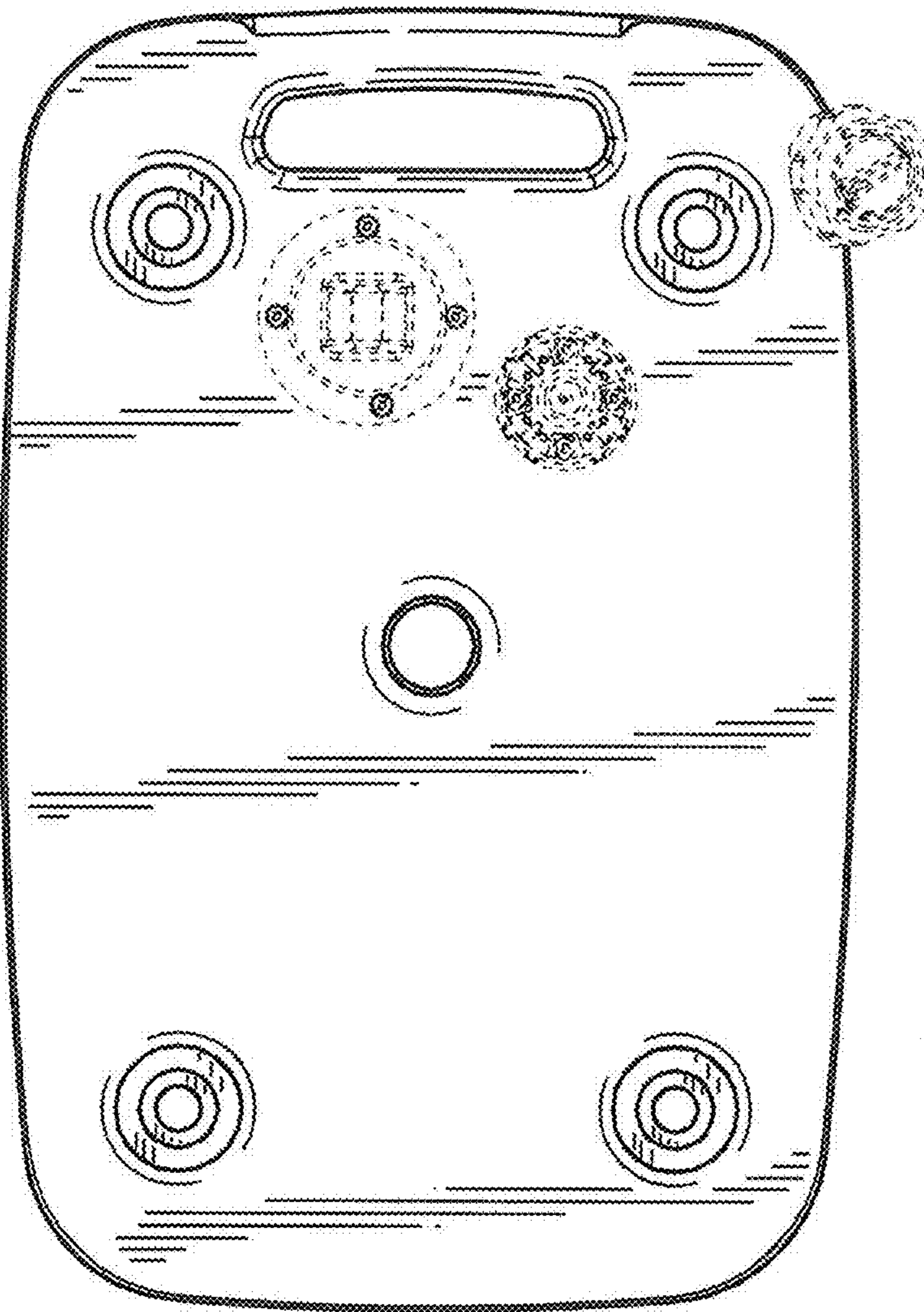


FIG. 2

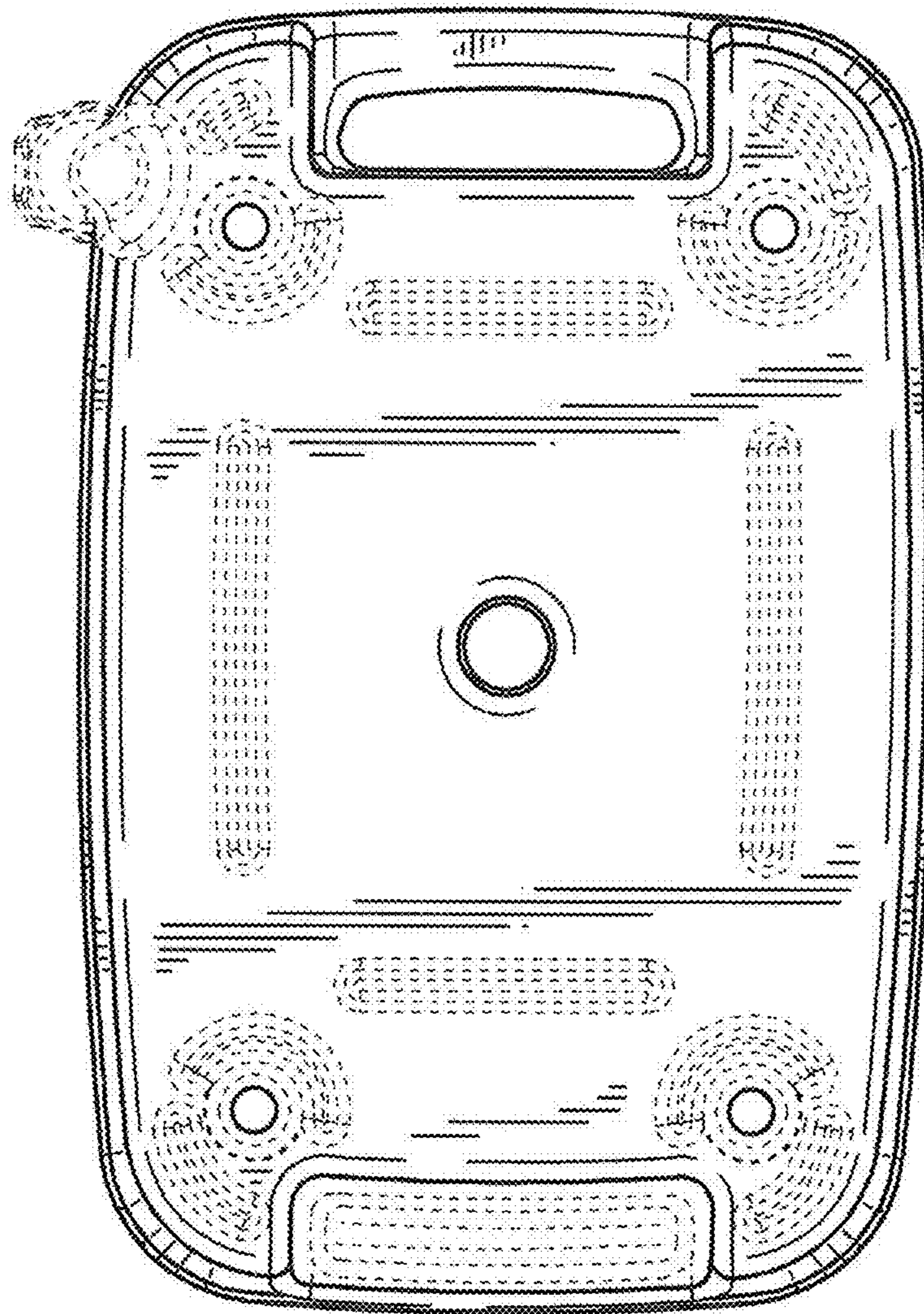


FIG. 3

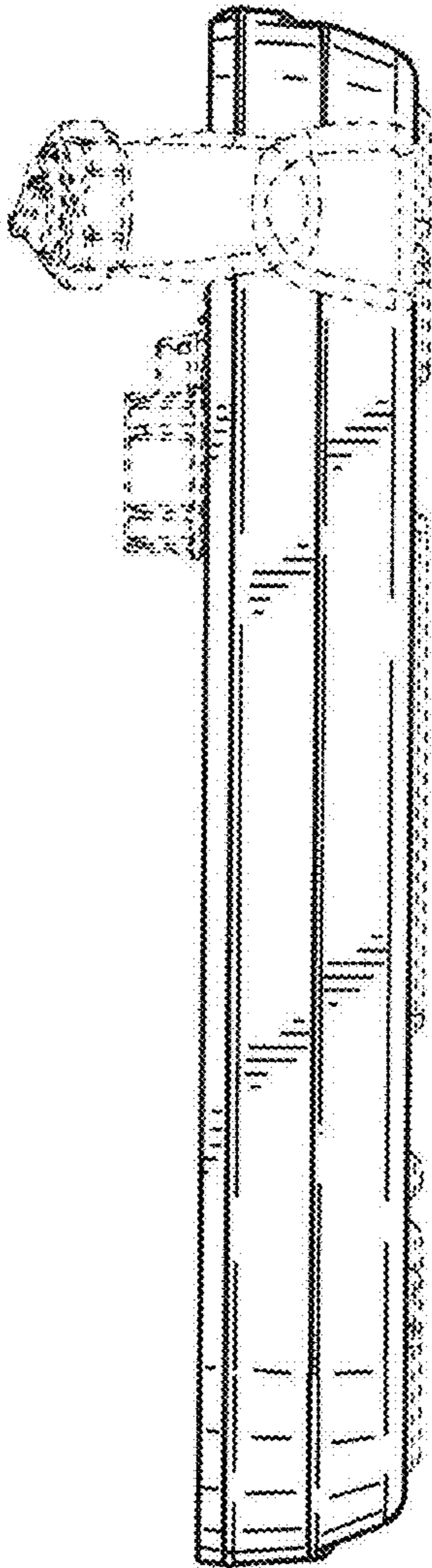


FIG. 4

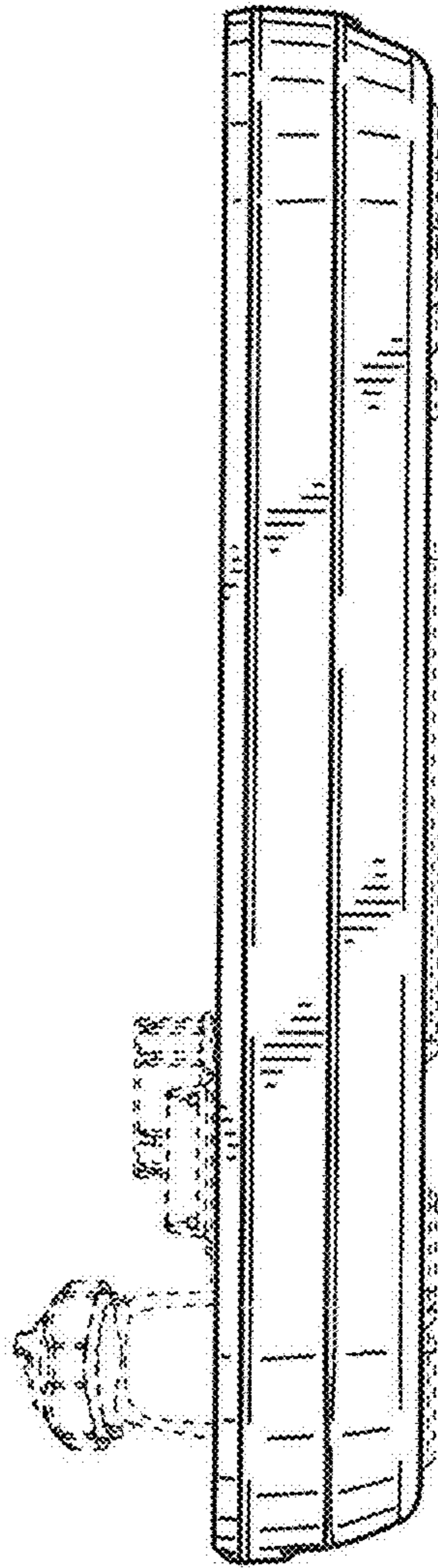


FIG. 5

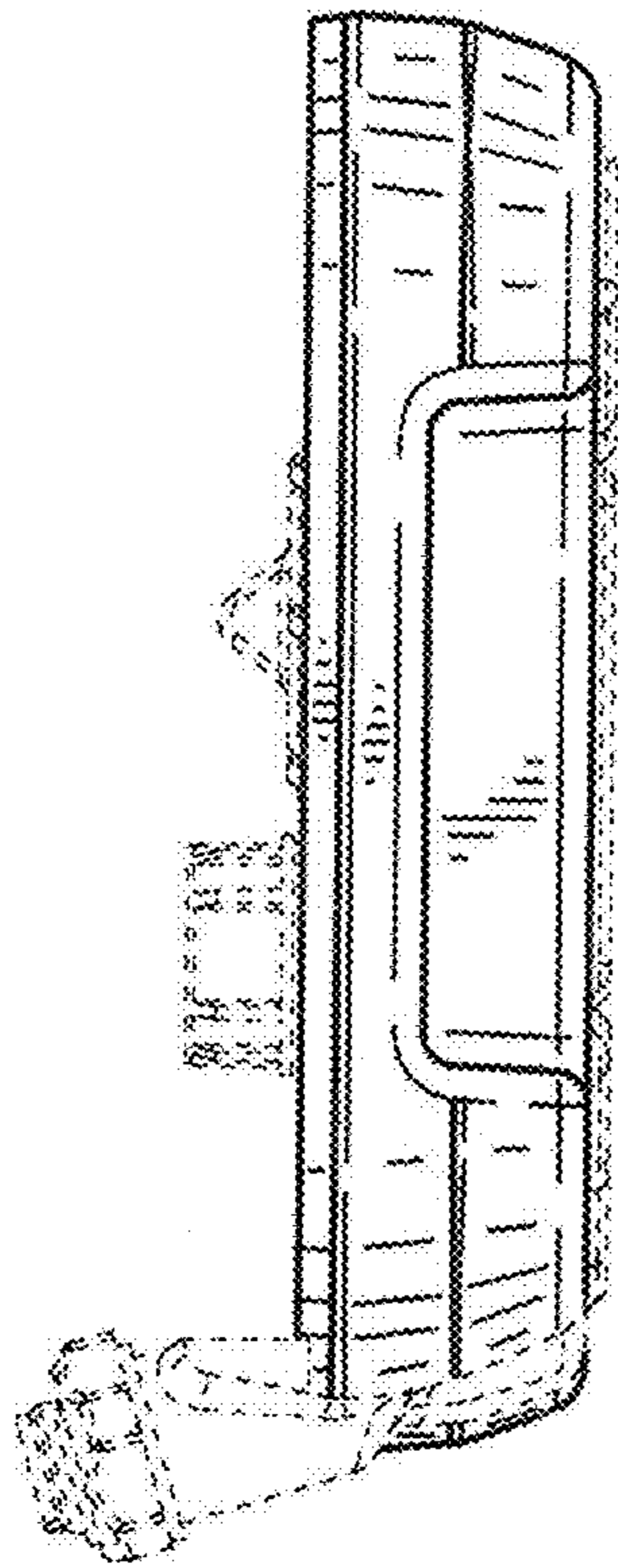


FIG. 6

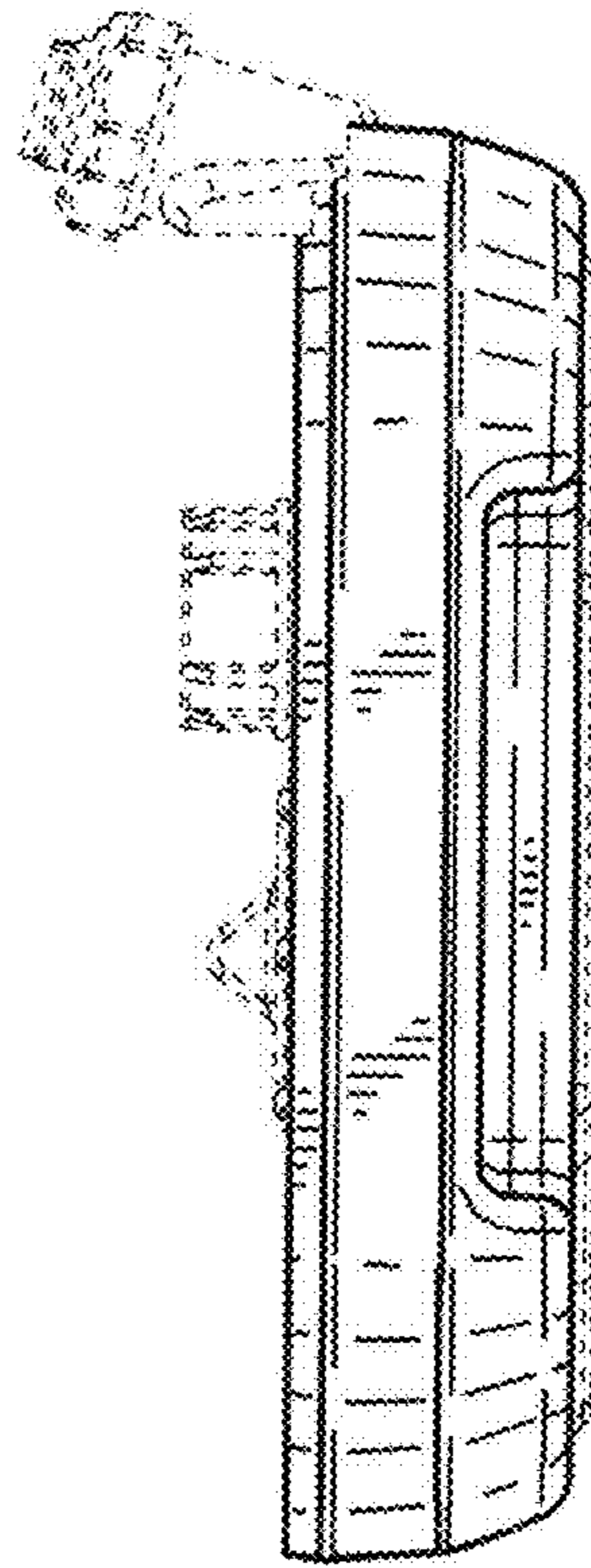


FIG. 7