



US00D775051S

(12) **United States Design Patent** (10) **Patent No.:** **US D775,051 S**
Alfonso (45) **Date of Patent:** **** Dec. 27, 2016**

(54) **AUTOMOBILE WHEEL**

(71) Applicant: **Direct Wheel Inc.**, City of Industry, CA (US)

(72) Inventor: **Ernie R. Alfonso**, Corona, CA (US)

(73) Assignee: **Direct Wheel Inc.**, City of Industry, CA (US)

(**) Term: **15 Years**

(21) Appl. No.: **29/544,262**

(22) Filed: **Nov. 2, 2015**

(51) **LOC (10) Cl.** **12-16**

(52) **U.S. Cl.**
USPC **D12/211**

(58) **Field of Classification Search**
USPC D12/204–213
CPC B60B 7/00; B60B 7/01; B60B 7/02;
B60B 7/04; B60B 7/06; B60B 3/02; B60B
3/04; B60B 3/06; B60B 3/10; B60B 1/00;
B60B 1/08; B60B 1/10; B60B 1/12
See application file for complete search history.

(56) **References Cited**

U.S. PATENT DOCUMENTS

D56,897 S *	1/1921	Stothoff	301/65
1,728,428 A *	9/1929	Meldrum	B60B 1/00 301/104
4,256,348 A *	3/1981	Lester	B60B 1/08 29/447
D260,874 S *	9/1981	Reppert	D12/209
D344,924 S *	3/1994	Braungart	D12/211
D532,356 S *	11/2006	Bernoni	D12/211
D534,113 S *	12/2006	Metros	D12/211
D560,589 S *	1/2008	Celik	D12/211
D617,253 S *	6/2010	Zhao	D12/211
D652,364 S *	1/2012	Zhao	D12/211
D655,233 S *	3/2012	Alfonso	D12/211

D659,069 S *	5/2012	Johnson	D12/211
D671,483 S *	11/2012	Chung	D12/211
D680,940 S *	4/2013	Hale, Jr.	D12/211
D681,534 S *	5/2013	Zhao	D12/211
D684,915 S *	6/2013	Zhao	D12/211
D691,542 S *	10/2013	Chan	D12/209
D695,195 S *	12/2013	Chung	D12/211
D715,721 S *	10/2014	Chung	D12/211
D722,547 S *	2/2015	Zhao	D12/211
D723,992 S	3/2015	Zhao	
D723,993 S	3/2015	Zhao	
D723,995 S	3/2015	Zhao	
D723,996 S *	3/2015	Zhao	D12/211
D726,621 S *	4/2015	Alfonso	D12/209
D731,391 S *	6/2015	Zhao	D12/211
D741,775 S *	10/2015	Zhao	D12/211

(Continued)

OTHER PUBLICATIONS

Search Results for IN/ernie and IN/alfonso on Uspto.Gov on Dec. 21, 2014.

(Continued)

Primary Examiner — Sheryl Lane
Assistant Examiner — Katherine Glennon
(74) *Attorney, Agent, or Firm* — Payam Moradian

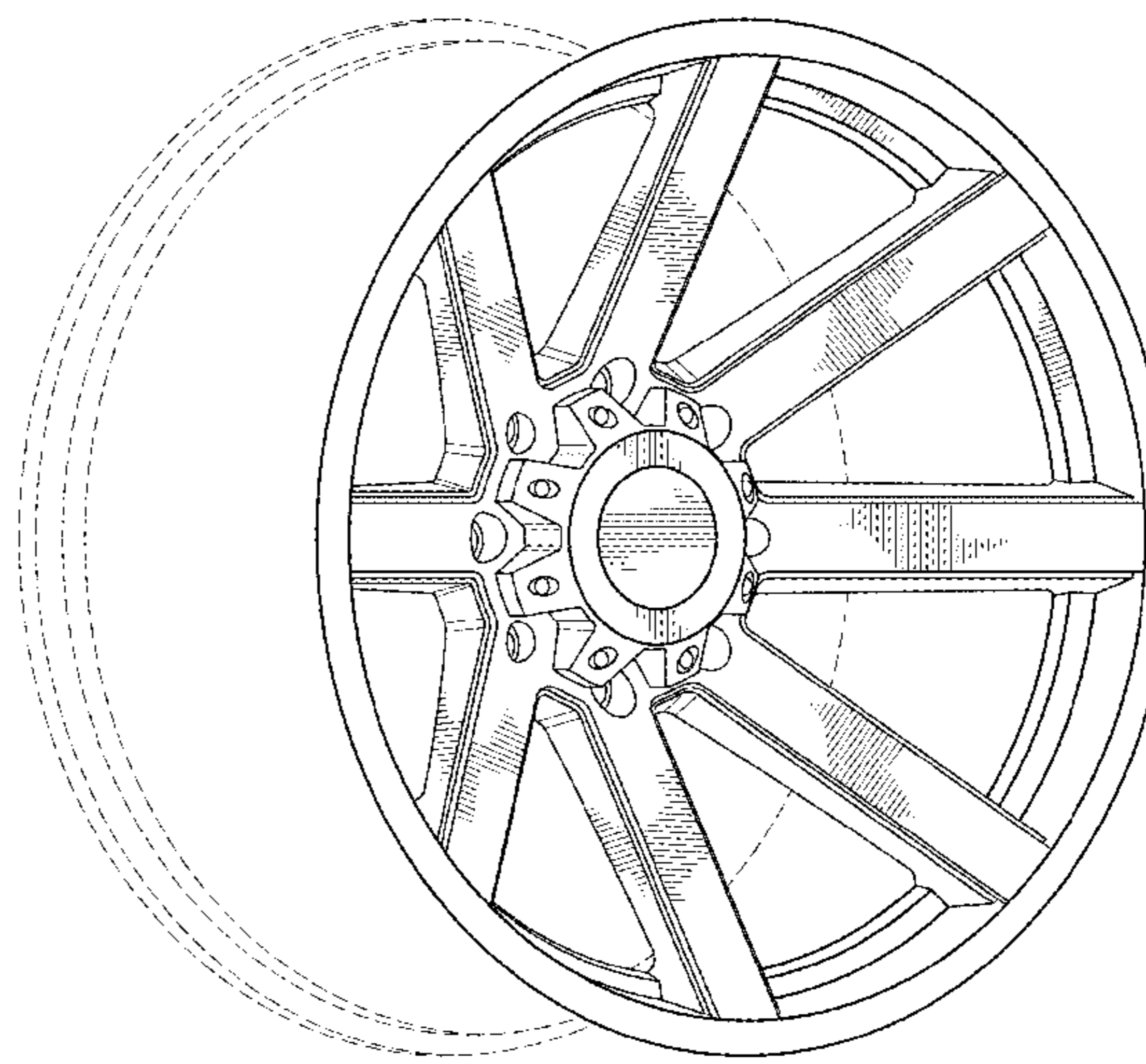
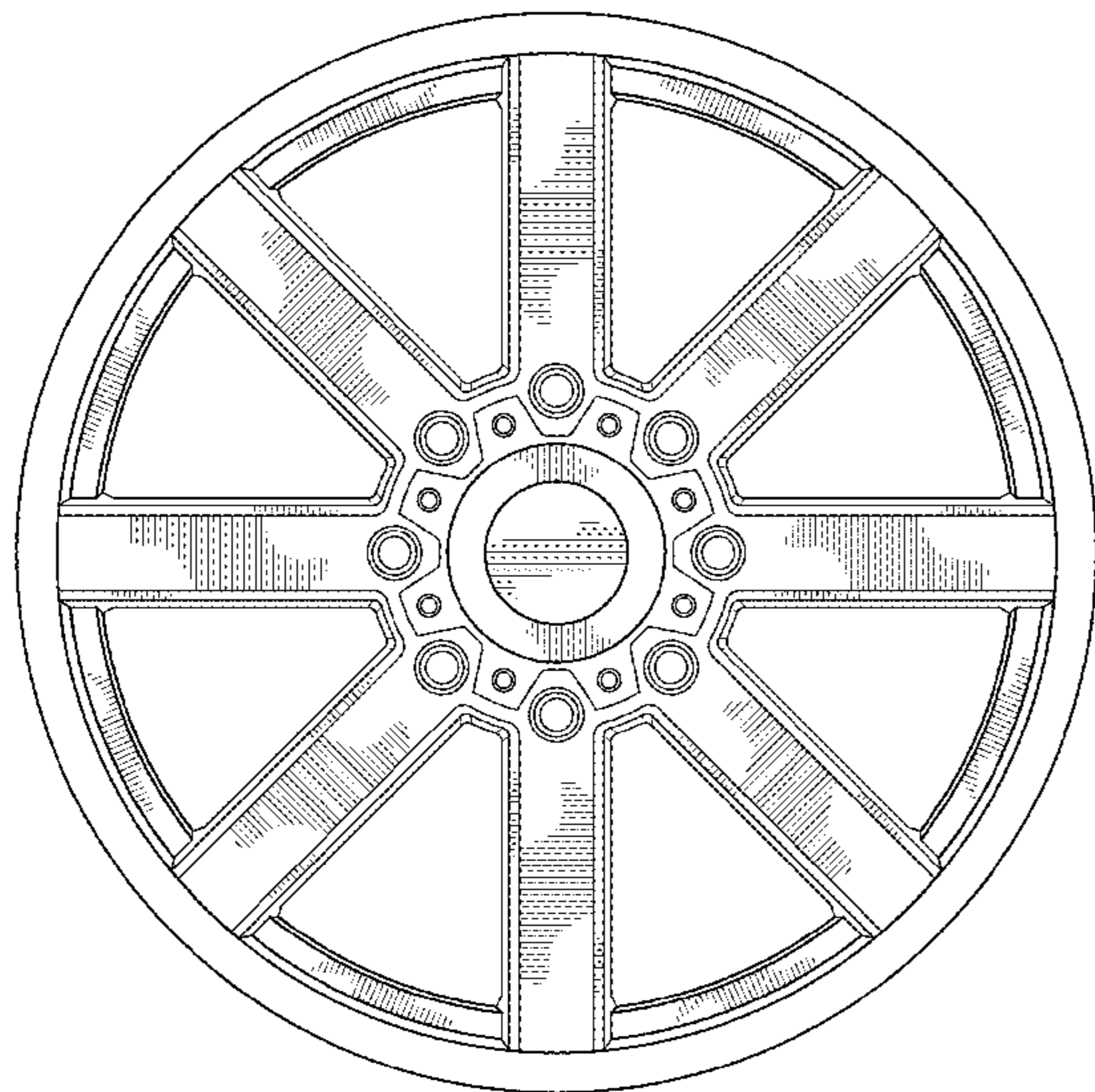
(57) **CLAIM**

I claim the ornamental design for an automobile wheel, as shown and described.

DESCRIPTION

FIG. 1 is a front elevational view of an automobile wheel; and, FIG. 2 is a perspective view thereof. The broken lines in the drawings of the automobile wheel are for showing portions of the article and form no part of the claimed design.

1 Claim, 2 Drawing Sheets



(56)

References Cited

U.S. PATENT DOCUMENTS

D741,776 S 10/2015 Zhao
D751,480 S * 3/2016 Chung D12/209
D751,966 S * 3/2016 Zhao D12/211

OTHER PUBLICATIONS

Search results of IN/john and TTL/wheel and IN/zhao on Dec. 19,
2014 on uspto.gov.

* cited by examiner

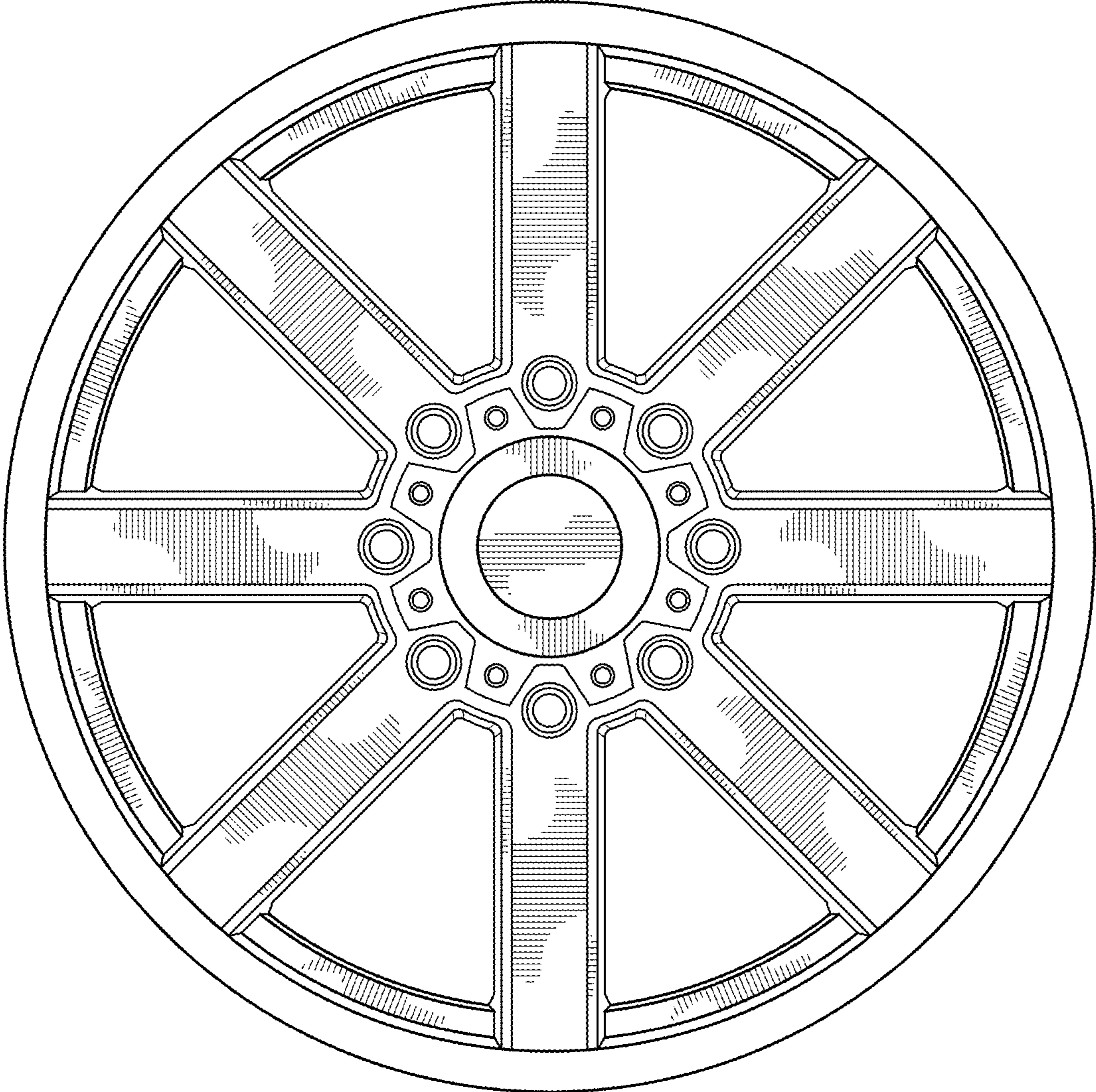


FIG. 1

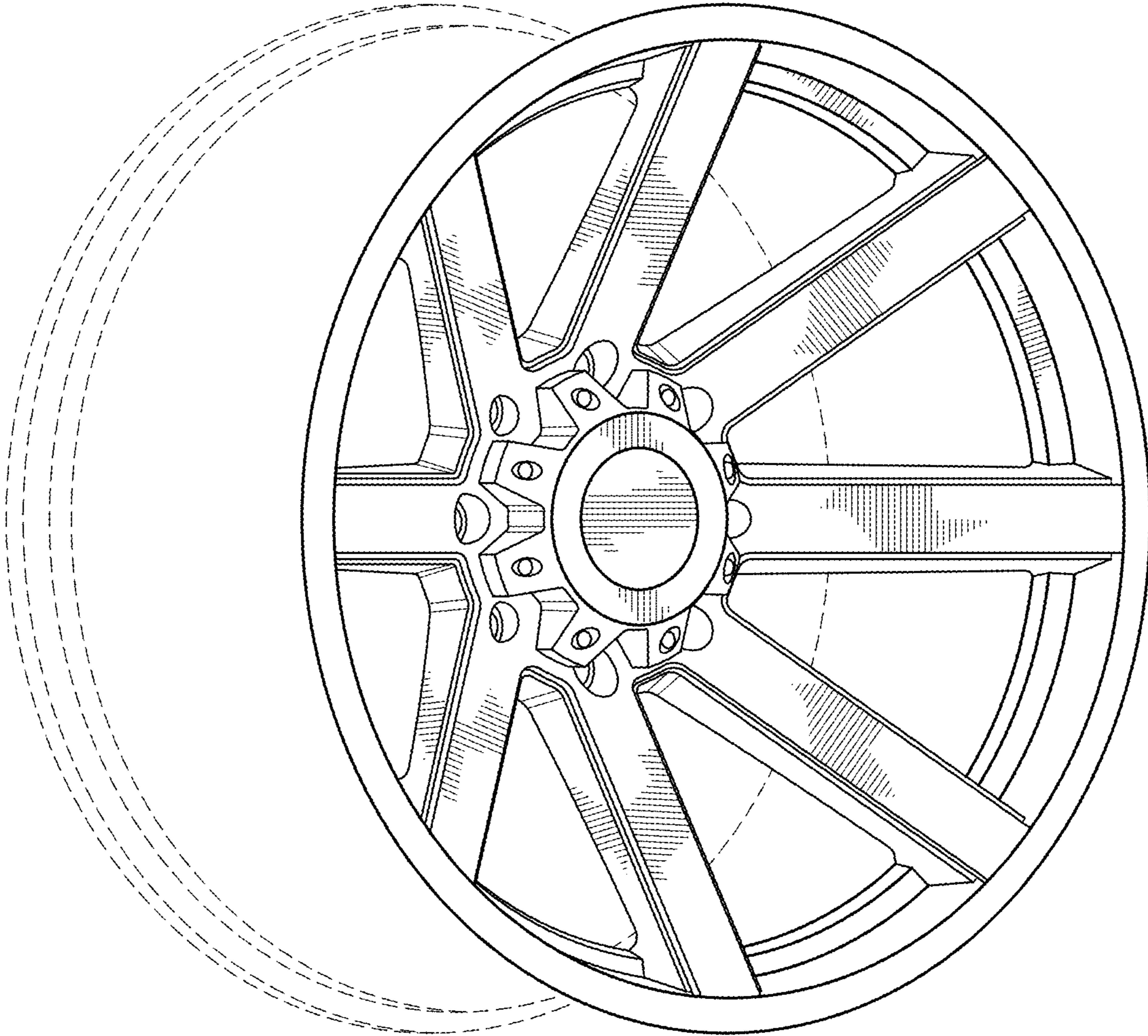


FIG. 2