



US00D775050S

(12) **United States Design Patent**
Vidojkovic et al.

(10) **Patent No.:** **US D775,050 S**

(45) **Date of Patent:** **** Dec. 27, 2016**

(54) **WHEEL OR WHEEL COVER**

(71) Applicant: **Daimler AG**, Stuttgart (DE)

(72) Inventors: **Dalibor Vidojkovic**, Affalterbach (DE);
Bernhard Hans, Kirchberg (DE)

(73) Assignee: **Daimler AG**, Stuttgart (DE)

(**) Term: **15 Years**

(21) Appl. No.: **29/543,748**

(22) Filed: **Oct. 28, 2015**

(30) **Foreign Application Priority Data**

Apr. 29, 2015 (EM) 002691410-0005

(51) **LOC (10) Cl.** **12-16**

(52) **U.S. Cl.**
USPC **D12/211**

(58) **Field of Classification Search**
USPC D12/204–213

CPC B60B 7/00; B60B 7/01; B60B 7/02;
B60B 7/04; B60B 7/06; B60B 3/02; B60B
3/04; B60B 3/06; B60B 3/10; B60B 1/00;
B60B 1/08; B60B 1/10; B60B 1/12

See application file for complete search history.

(56) **References Cited**

U.S. PATENT DOCUMENTS

D542,211 S * 5/2007 Hieke D12/211
D544,823 S * 6/2007 Hieke D12/211

D649,923 S *	12/2011	Hans	D12/211
D651,956 S *	1/2012	Ectors	D12/209
D670,632 S *	11/2012	Schweizer	D12/211
D688,181 S *	8/2013	Gotschke	D12/209
D729,721 S *	5/2015	Fahr-Becker	D12/211
D744,403 S *	12/2015	Mielke	D12/211
D746,210 S *	12/2015	Dilber	D12/211
D749,484 S *	2/2016	Stopka	D12/209
D751,019 S *	3/2016	Behmer	D12/211
D755,104 S *	5/2016	Chu	D12/211
D756,875 S *	5/2016	George	D12/209
D756,879 S *	5/2016	George	D12/211

* cited by examiner

Primary Examiner — Sandra Snapp

Assistant Examiner — Katherine Glennon

(74) *Attorney, Agent, or Firm* — Crowell & Moring LLP

(57) **CLAIM**

The ornamental design for a wheel or wheel cover, as shown and described.

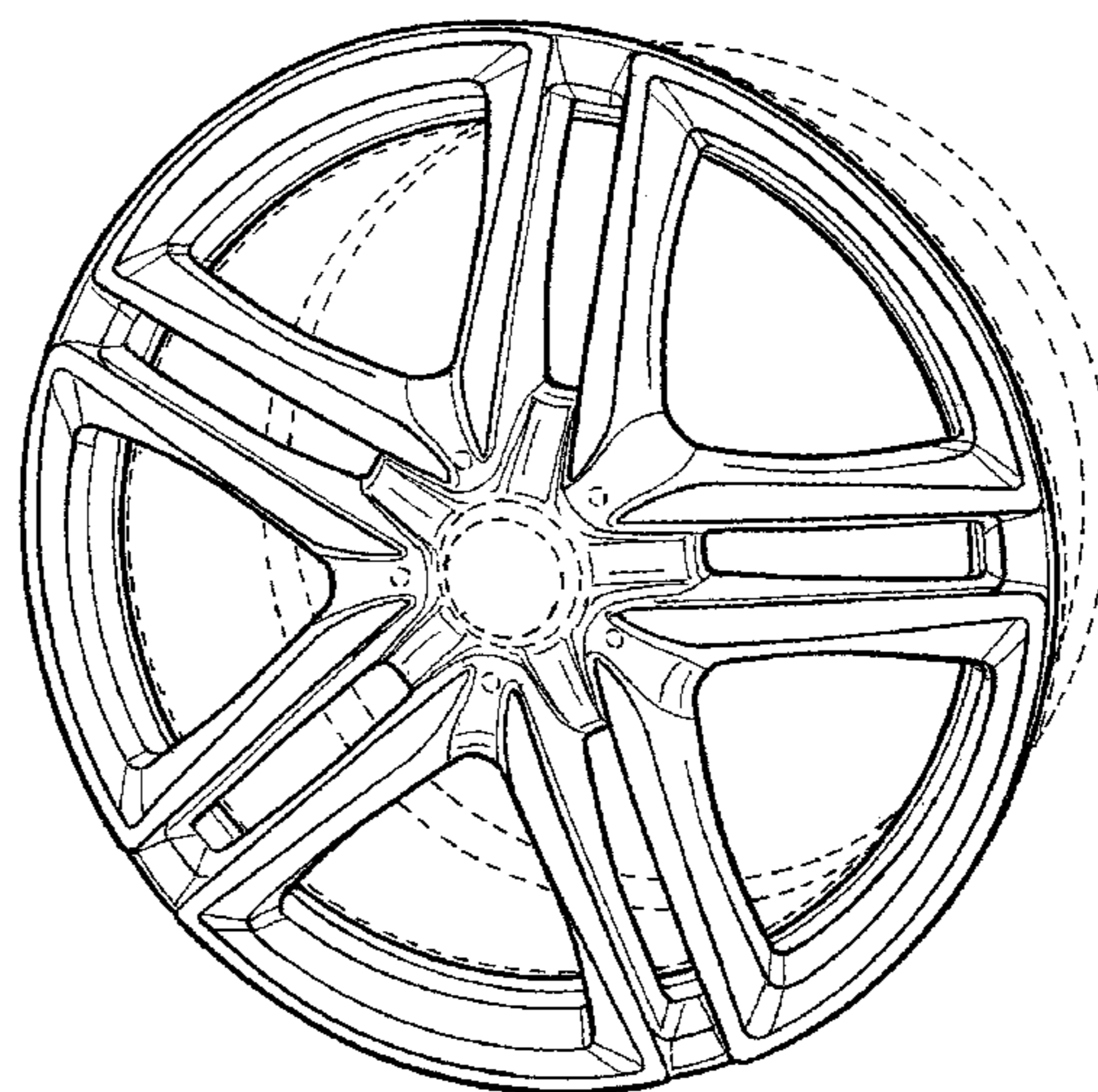
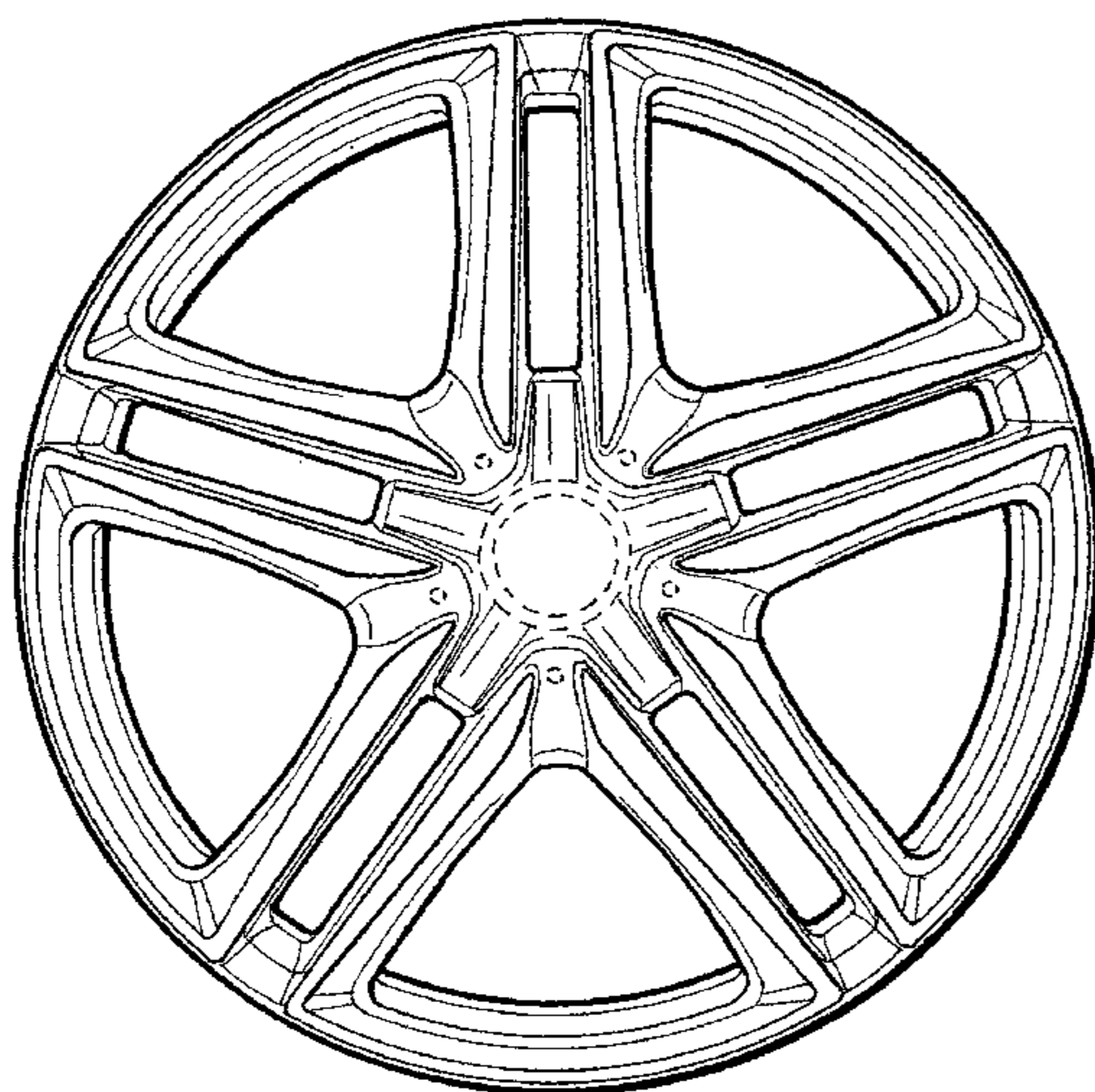
DESCRIPTION

FIG. 1 is a front view of a wheel or wheel cover according to the design; and,

FIG. 2 is a perspective view thereof.

The broken line showing of the rear of the wheel and the bolt holes and the center hole in the central hub area is included for the purpose of illustrating environment and forms no part of the claimed design.

1 Claim, 2 Drawing Sheets



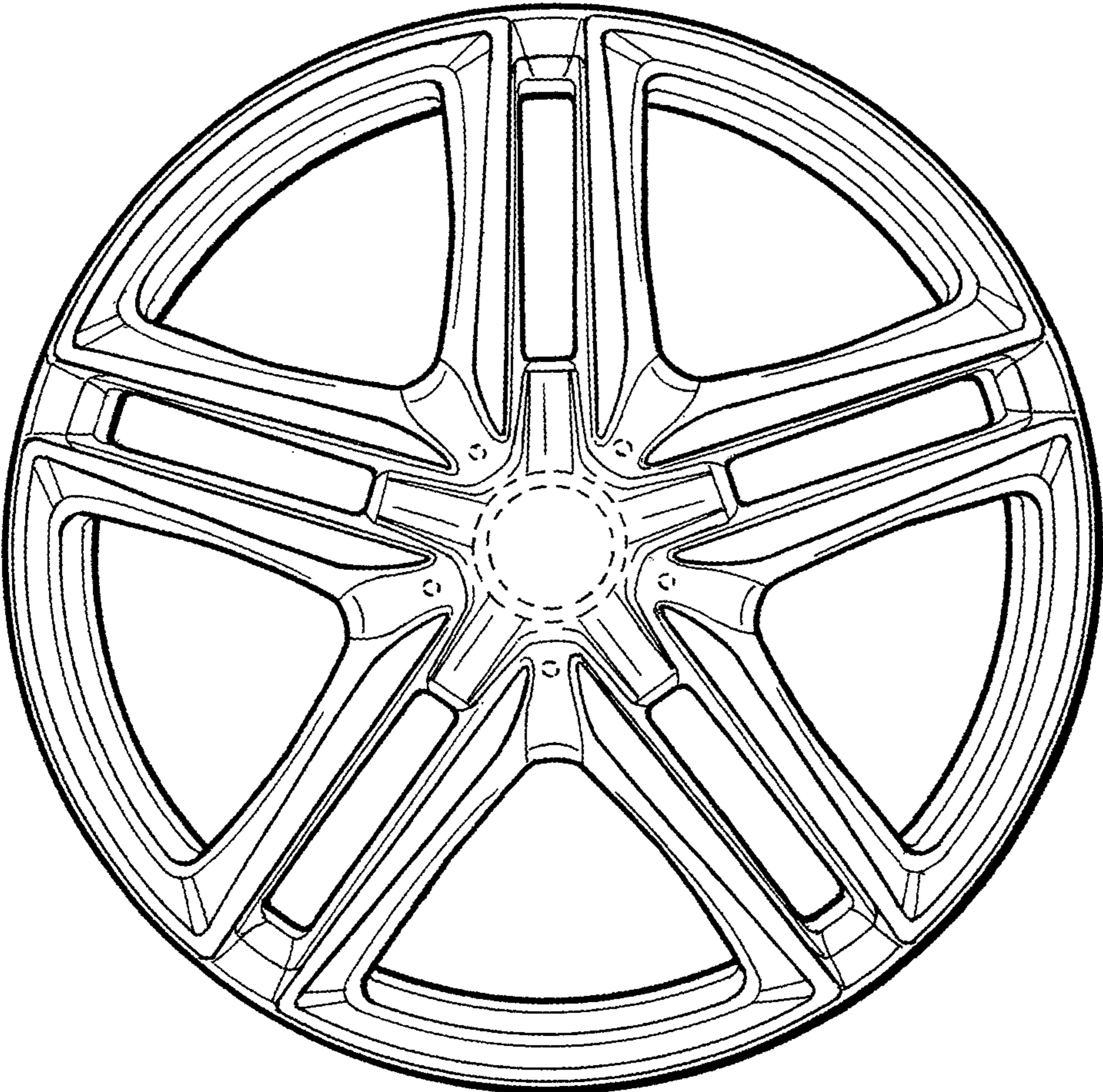


FIG. 1

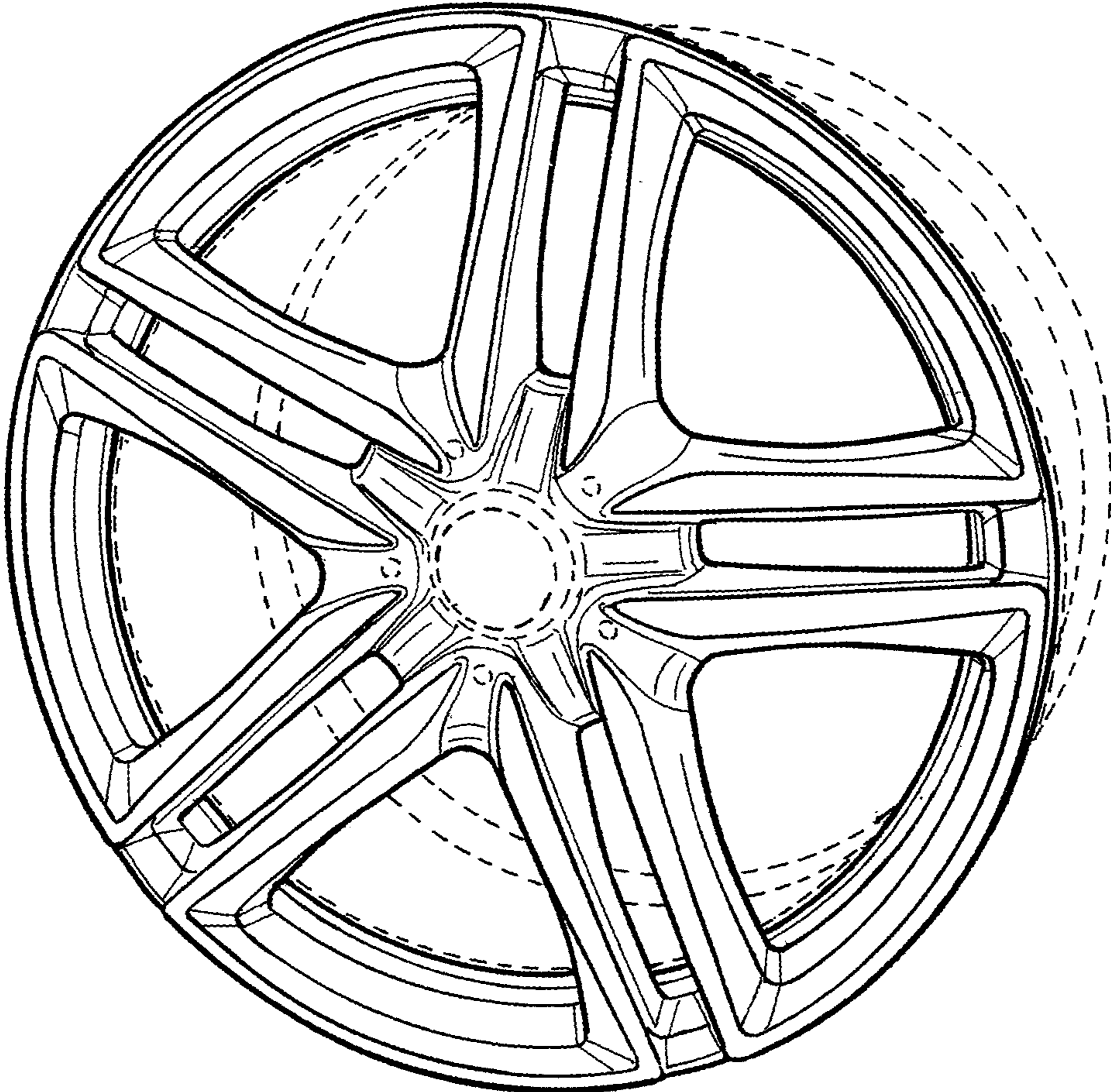


FIG. 2