



US00D775049S

(12) **United States Design Patent**
Scheer et al.

(10) **Patent No.:** **US D775,049 S**

(45) **Date of Patent:** **** Dec. 27, 2016**

(54) **VEHICLE WHEEL**

(71) Applicant: **GM GLOBAL TECHNOLOGY OPERATIONS LLC**, Detroit, MI (US)

(72) Inventors: **Richard F. Scheer**, Bloomfield Township, MI (US); **Morio Ikeda**, Sao Paulo (BR); **Eduardo Okamoto**, Aclimacao (BR); **Eduardo Walendowsky**, Santa Mario (BR)

(73) Assignee: **GM Global Technology Operations LLC**, Detroit, MI (US)

(**) Term: **15 Years**

(21) Appl. No.: **29/536,874**

(22) Filed: **Aug. 20, 2015**

(51) **LOC (10) Cl.** **12-16**

(52) **U.S. Cl.**
USPC **D12/211**

(58) **Field of Classification Search**
USPC D12/204–213
CPC B60B 7/00; B60B 7/02; B60B 7/04; B60B 7/01; B60B 7/06; B60B 3/02; B60B 3/04; B60B 3/06; B60B 3/10; B60B 1/00; B60B 1/08; B60B 1/10; B60B 1/12
See application file for complete search history.

(56) **References Cited**

U.S. PATENT DOCUMENTS

D379,612 S *	6/1997	Honarkhah	D12/209
D431,514 S *	10/2000	Cullen	D12/209
D463,769 S *	10/2002	Chung	D12/211
D470,448 S *	2/2003	Kataoka	D12/211
D503,919 S *	4/2005	Cahyono	D12/211
D521,920 S *	5/2006	Phillips	D12/209

D535,606 S *	1/2007	Hernandez	D12/211
D548,165 S *	8/2007	Young	D12/211
D569,322 S *	5/2008	Scheu	D12/211
D588,517 S *	3/2009	Aroney	D12/211
D590,322 S *	4/2009	Rak	D12/211
D608,711 S *	1/2010	Juergens	D12/209
D655,657 S *	3/2012	Juergens	D12/209
D656,447 S *	3/2012	Johnson	D12/211
D660,767 S *	5/2012	von Holzhausen	D12/209
D666,958 S *	9/2012	Suzuki	D12/211
D686,132 S *	7/2013	Truebsbach	D12/209
D691,081 S *	10/2013	Watkin	D12/211
D702,614 S *	4/2014	Lemke	D12/211
D715,719 S *	10/2014	Platto	D12/209
D724,513 S *	3/2015	Wolff	D12/209
D726,628 S *	4/2015	Kong	D12/211
D746,212 S *	12/2015	Valencia Pollex	D12/211
D753,573 S *	4/2016	Watkin	D12/211
D755,105 S *	5/2016	Garbas	D12/211
D756,287 S *	5/2016	Koglin	D12/211
D756,878 S *	5/2016	Valencia Pollex	D12/209

* cited by examiner

Primary Examiner — Stacia Cadmus

(74) *Attorney, Agent, or Firm* — Reising Ethington P.C.

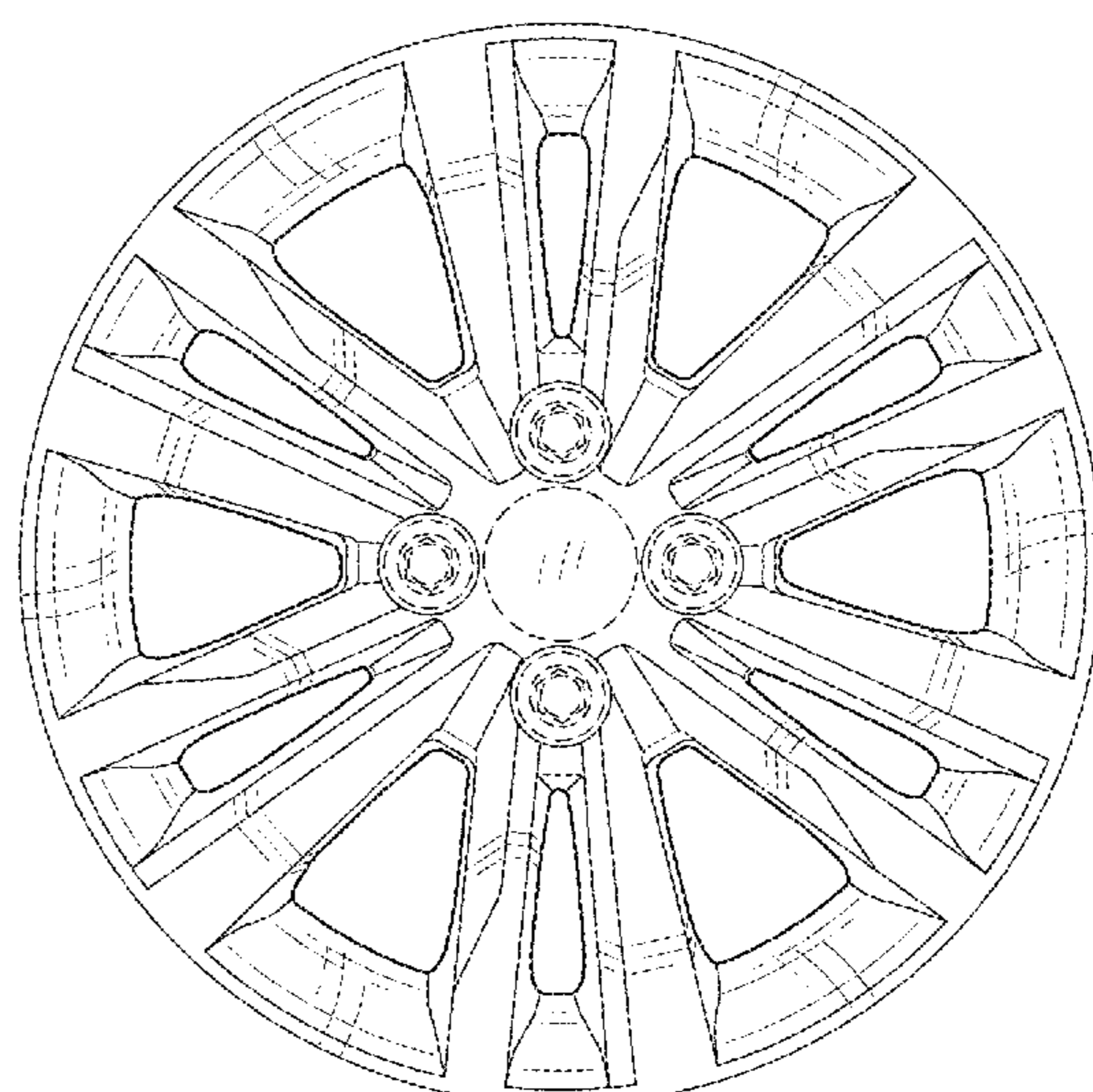
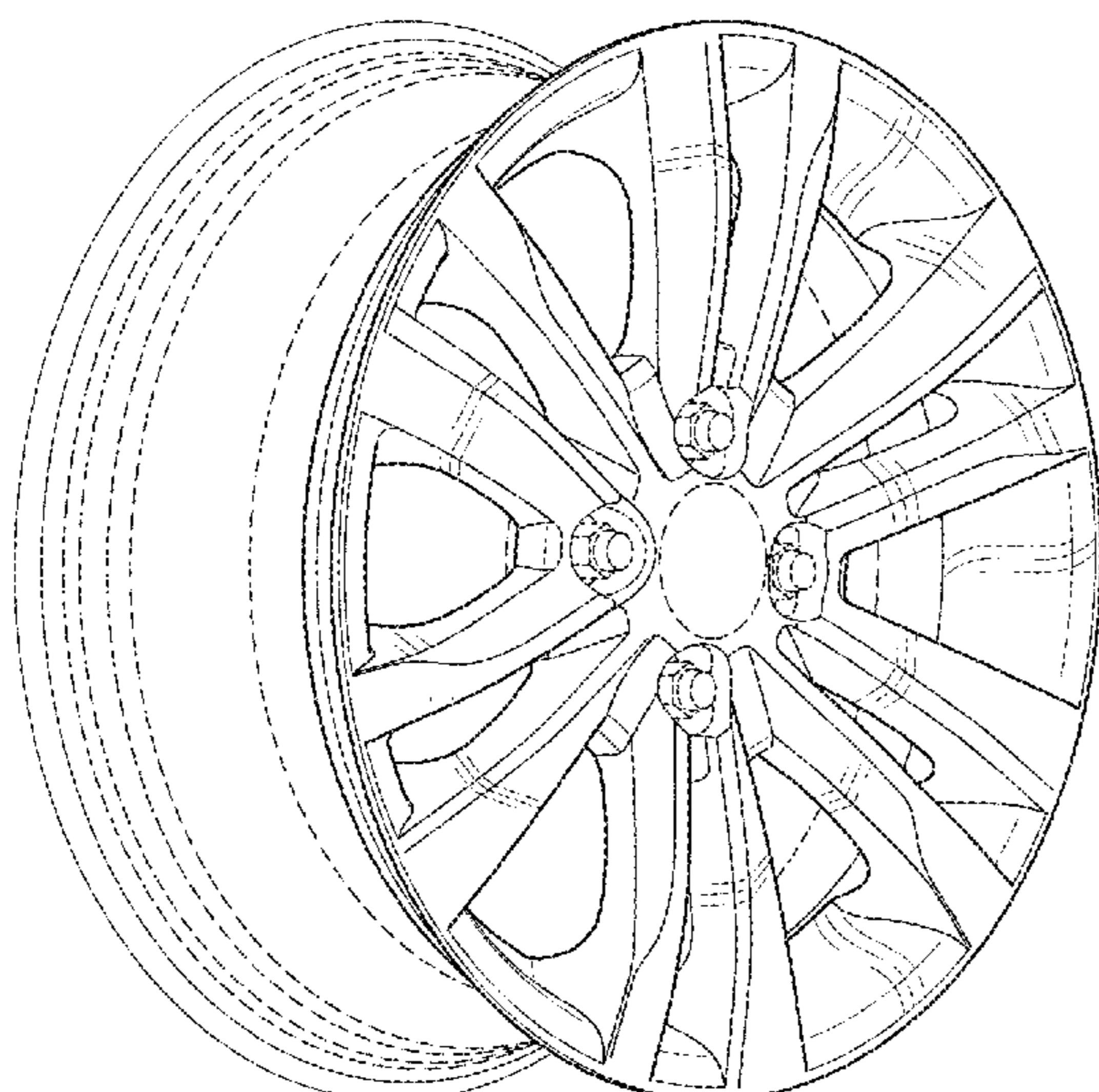
(57) **CLAIM**

The ornamental design for a vehicle wheel, as shown and described.

DESCRIPTION

FIG. 1 is a front perspective view of the vehicle wheel; FIG. 2 is a front view thereof; FIG. 3 is a side view thereof; FIG. 4 is another side view thereof; FIG. 5 is a rear view thereof; and, FIG. 6 is a rear perspective view thereof. The broken lines shown in the drawings depict portions of the vehicle wheel that form no part of the claimed design.

1 Claim, 3 Drawing Sheets



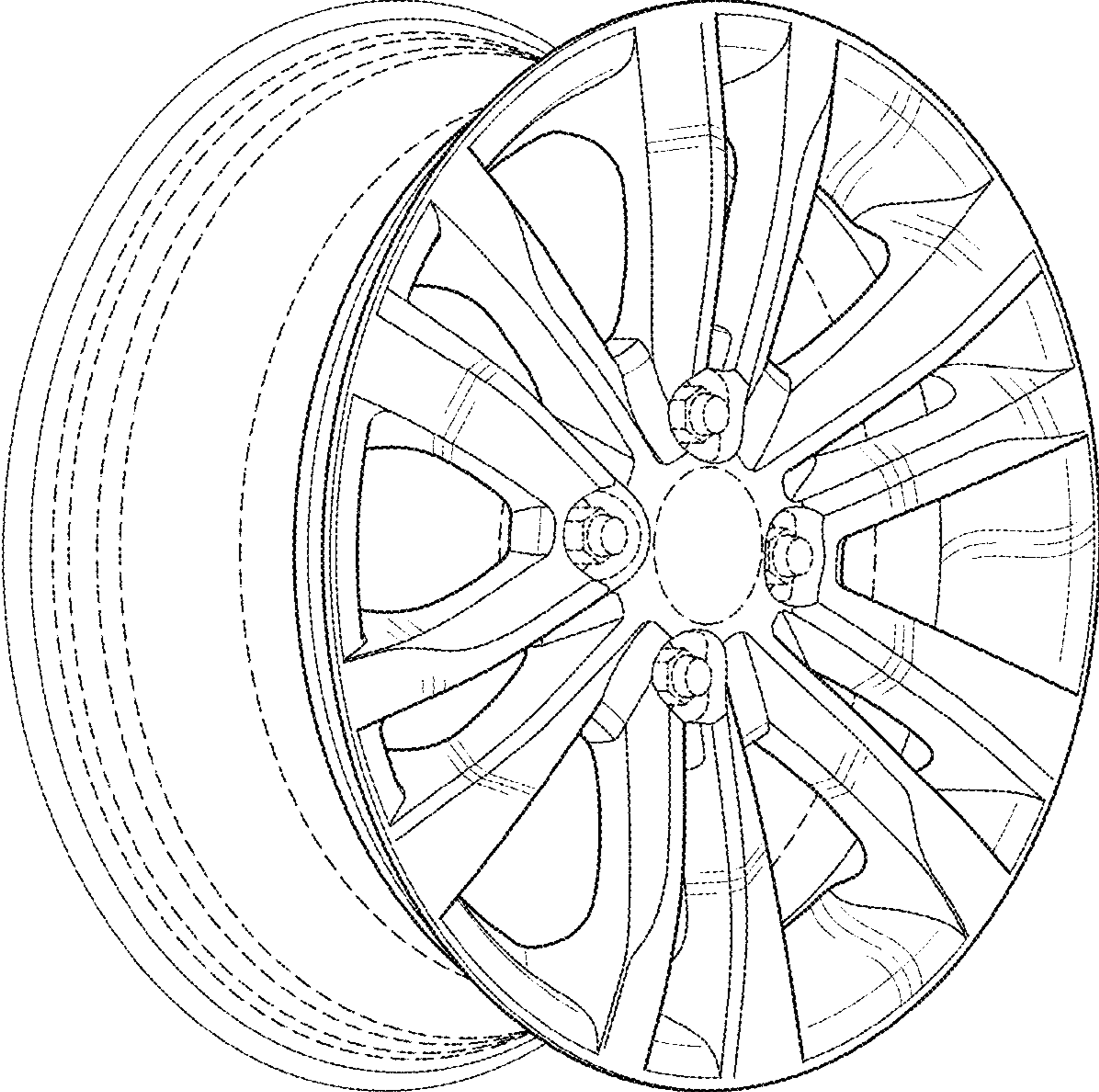


Fig. 1

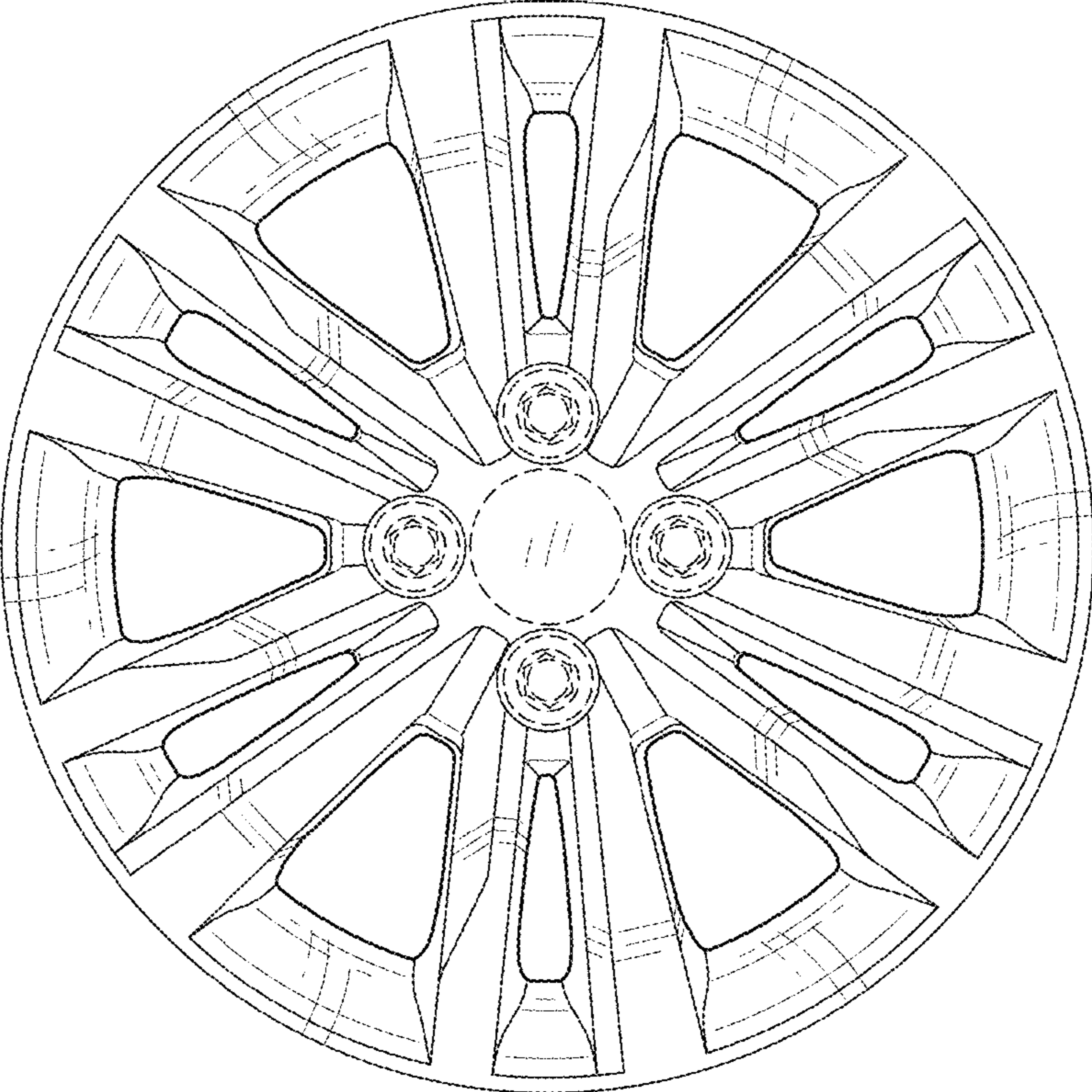


Fig. 2

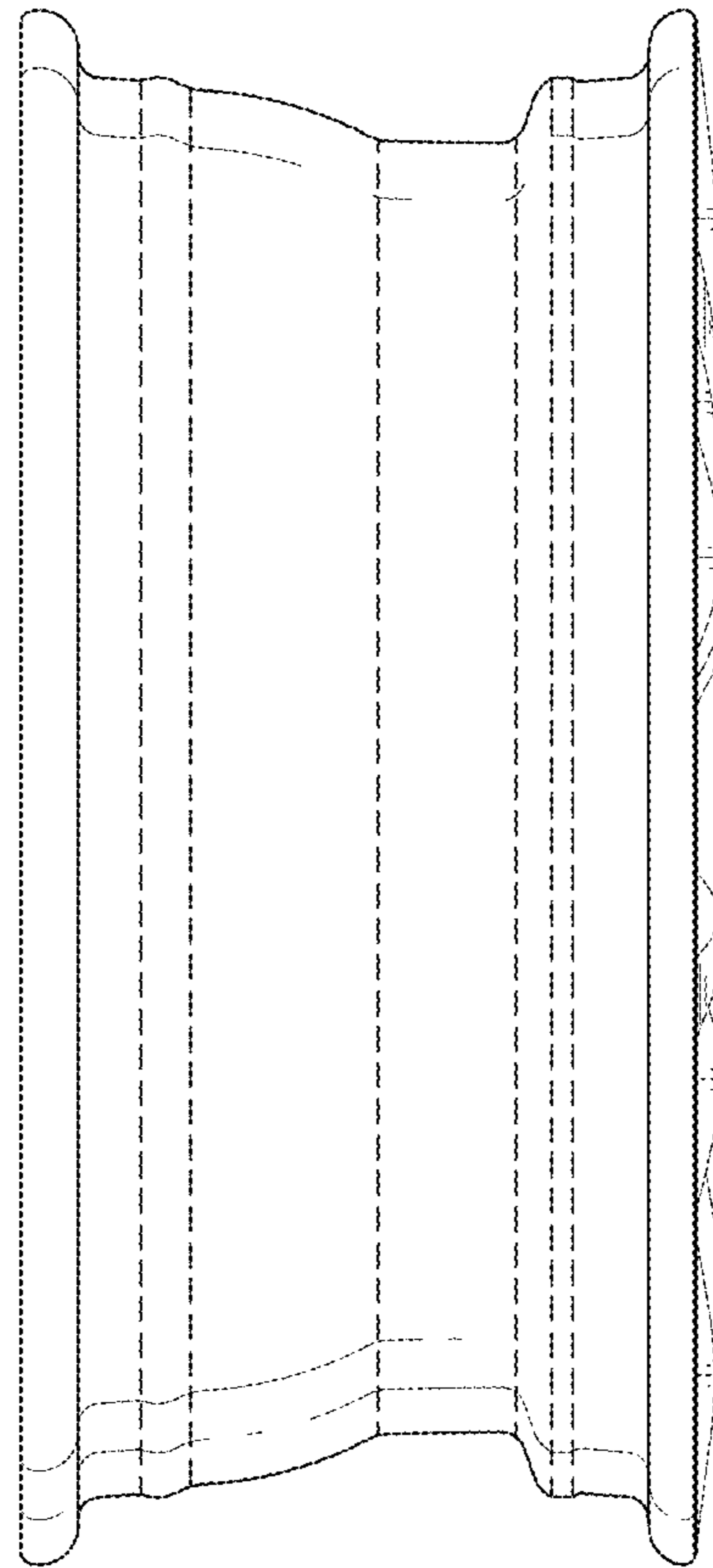


Fig. 3

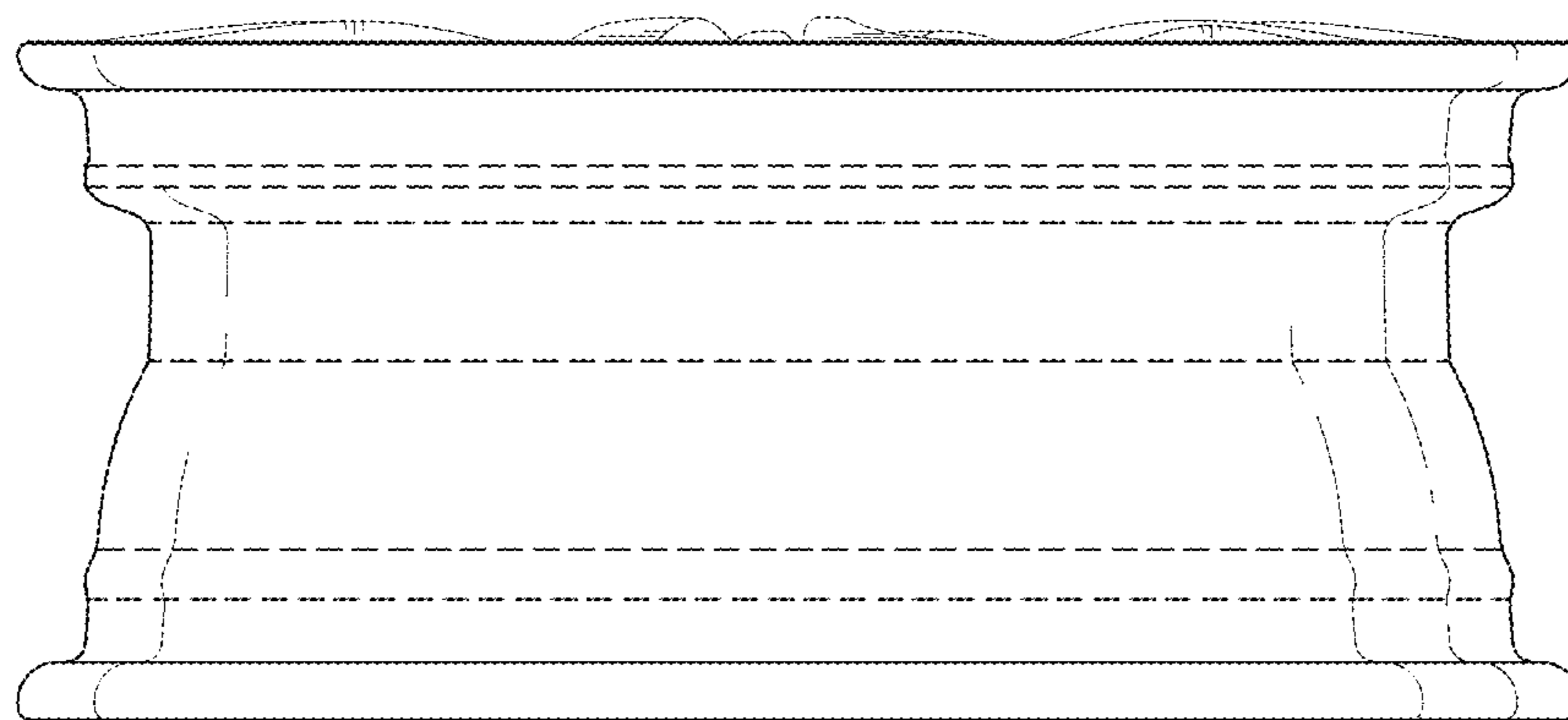


Fig. 4

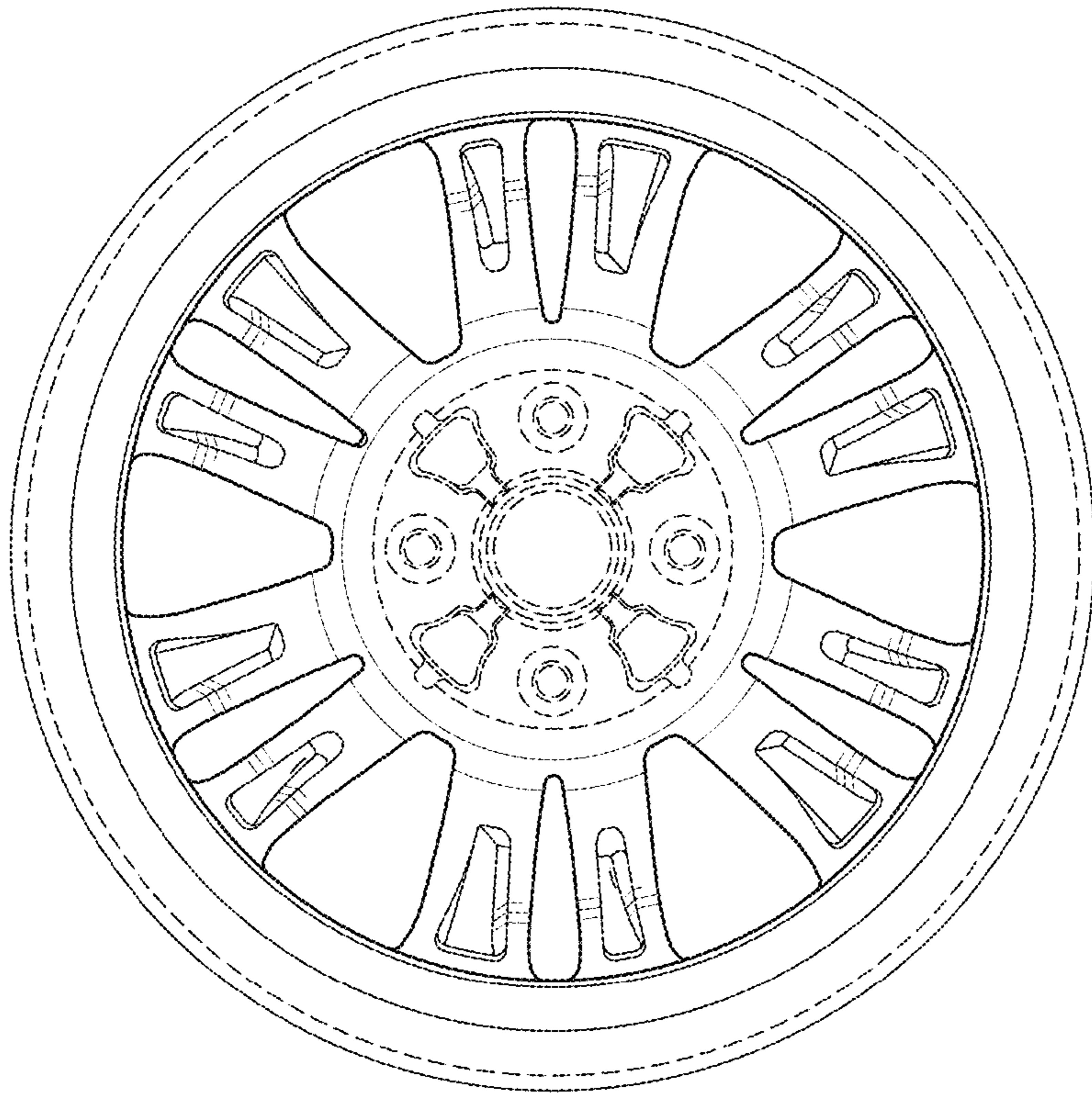


Fig. 5

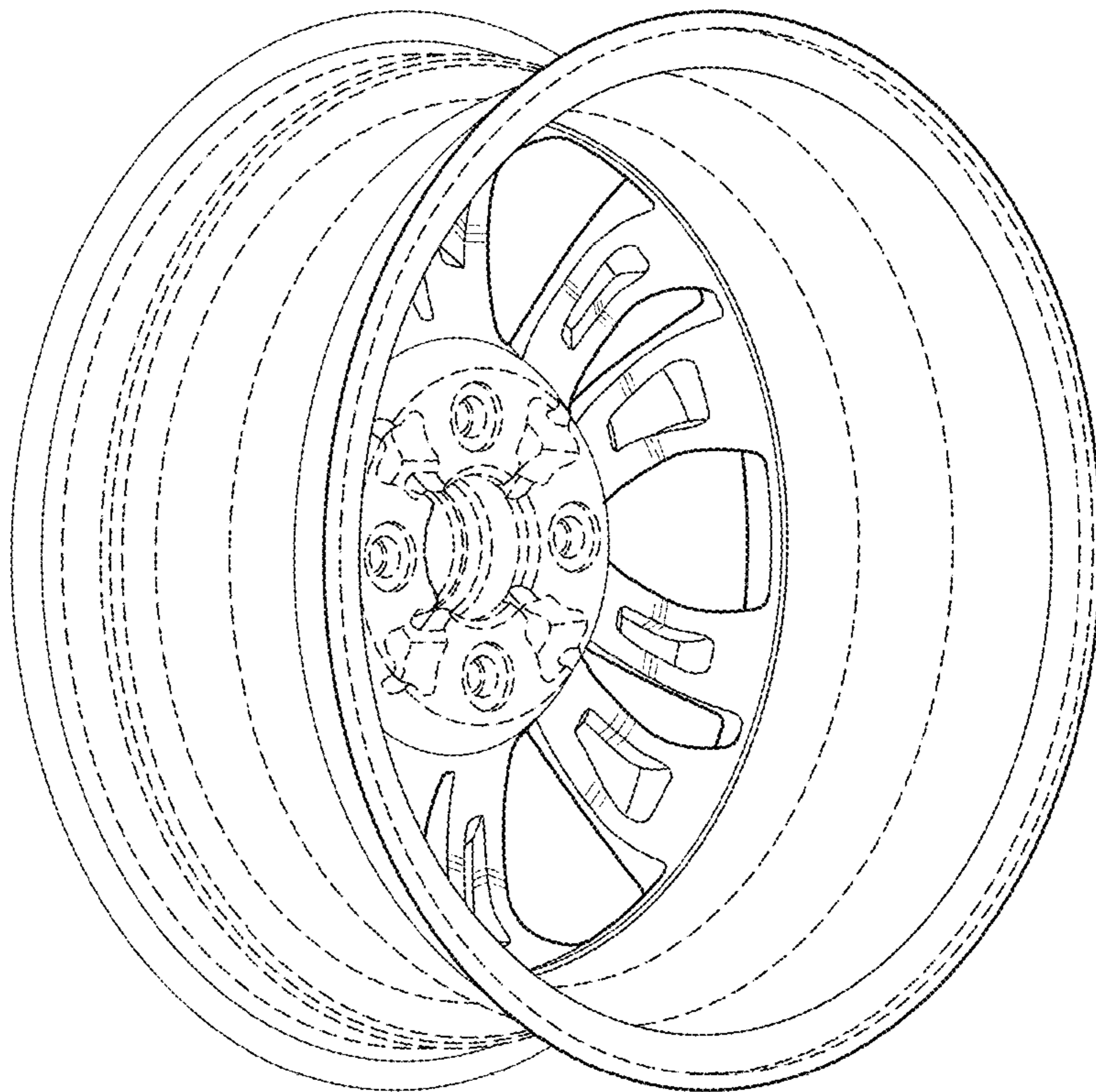


Fig. 6