



US00D775045S

(12) **United States Design Patent**  
**Peat**

(10) **Patent No.:** **US D775,045 S**

(45) **Date of Patent:** **\*\* Dec. 27, 2016**

(54) **WHEEL**

(71) Applicant: **Jaguar Land Rover Limited**, Whitley,  
Coventry (GB)

(72) Inventor: **Anthony Peat**, Coventry (GB)

(73) Assignee: **Jaguar Land Rover Limited**, Whitley,  
Coventry (GB)

(\*\*) Term: **14 Years**

(21) Appl. No.: **29/522,144**

(22) Filed: **Mar. 27, 2015**

(30) **Foreign Application Priority Data**

Sep. 29, 2014 (EM) ..... 002547430

(51) **LOC (10) Cl.** ..... **12-16**

(52) **U.S. Cl.**  
USPC ..... **D12/209**

(58) **Field of Classification Search**  
USPC ..... D12/204–213  
CPC ..... B60B 7/00; B60B 7/02; B60B 7/04;  
B60B 7/01; B60B 7/06; B60B 3/02; B60B  
3/04; B60B 3/06; B60B 3/10; B60B 1/00;  
B60B 1/08; B60B 1/10; B60B 1/12  
See application file for complete search history.

(56) **References Cited**

**U.S. PATENT DOCUMENTS**

D375,075 S	*	10/1996	Kugler	.....	D12/209
D504,383 S	*	4/2005	Pfeiffer	.....	D12/211
D507,775 S	*	7/2005	Pfeiffer	.....	D12/211
D513,489 S	*	1/2006	Momokawa	.....	D12/211
D516,490 S	*	3/2006	Baer	.....	D12/211
D520,933 S	*	5/2006	Pfeiffer	.....	D12/211

D522,951 S	*	6/2006	Pfeiffer	.....	D12/211
D525,184 S	*	7/2006	Huet	.....	D12/211
D526,263 S	*	8/2006	Brown	.....	D12/209
D539,722 S	*	4/2007	Pfeiffer	.....	D12/211
D560,589 S	*	1/2008	Celik	.....	D12/211
D585,009 S	*	1/2009	Rak	.....	D12/211
D595,202 S	*	6/2009	Spoerle	.....	D12/211
D638,765 S	*	5/2011	Yoon	.....	D12/211
D644,586 S	*	9/2011	Baum	.....	D12/209
D668,198 S	*	10/2012	Platto	.....	D12/211
D683,295 S	*	5/2013	Pollmann	.....	D12/209
D683,683 S	*	6/2013	Thurner	.....	D12/209
D696,617 S	*	12/2013	Mueller-Stolz	.....	D12/211
D705,152 S	*	5/2014	Nakamura	.....	D12/209
D725,572 S	*	3/2015	Mahoney	.....	D12/211
D744,930 S	*	12/2015	Chung	.....	D12/211

\* cited by examiner

*Primary Examiner* — Stacia Cadmus

(74) *Attorney, Agent, or Firm* — Wood Herron & Evans  
LLP

(57) **CLAIM**

The ornamental design for a wheel, as shown and described.

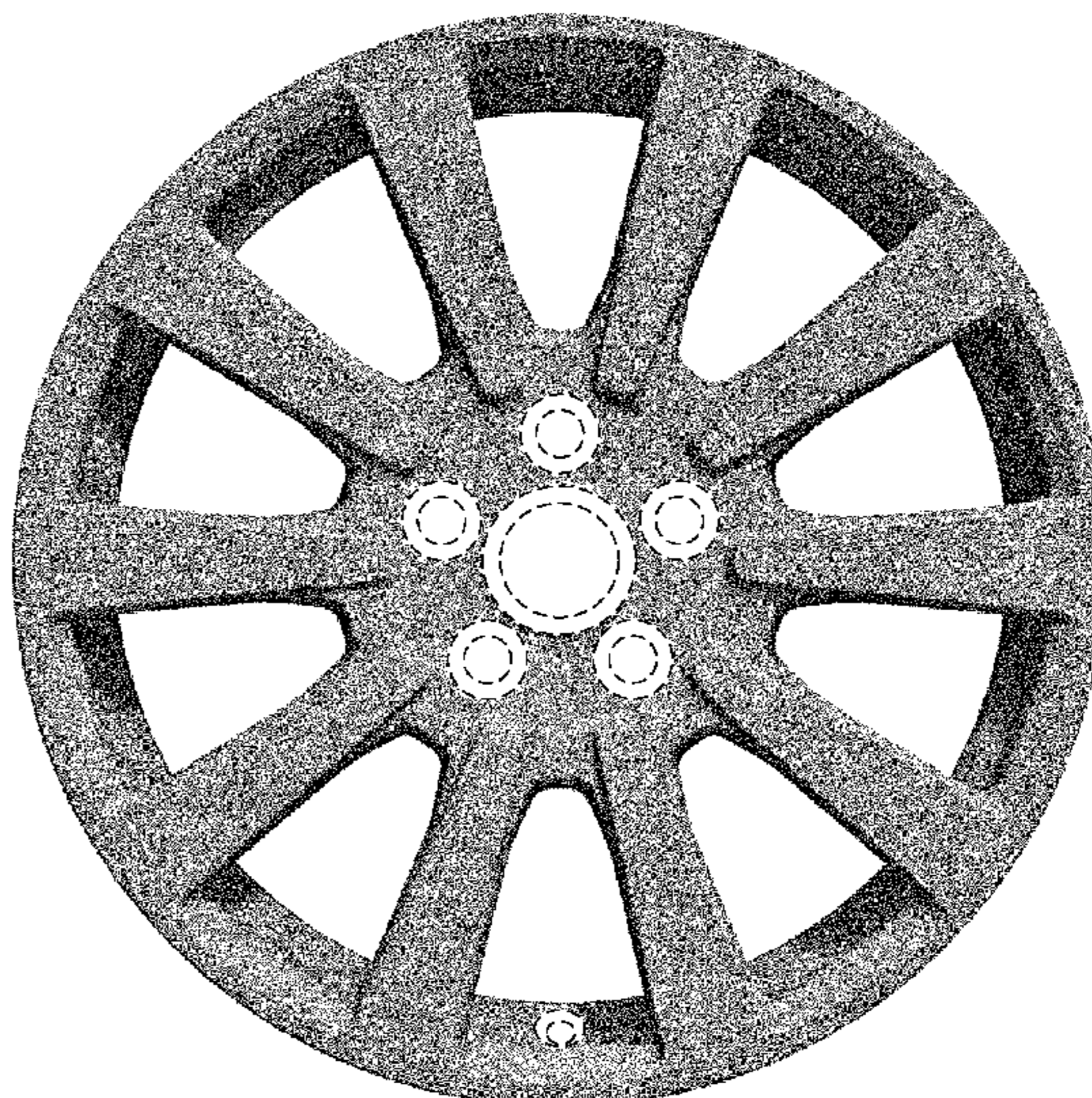
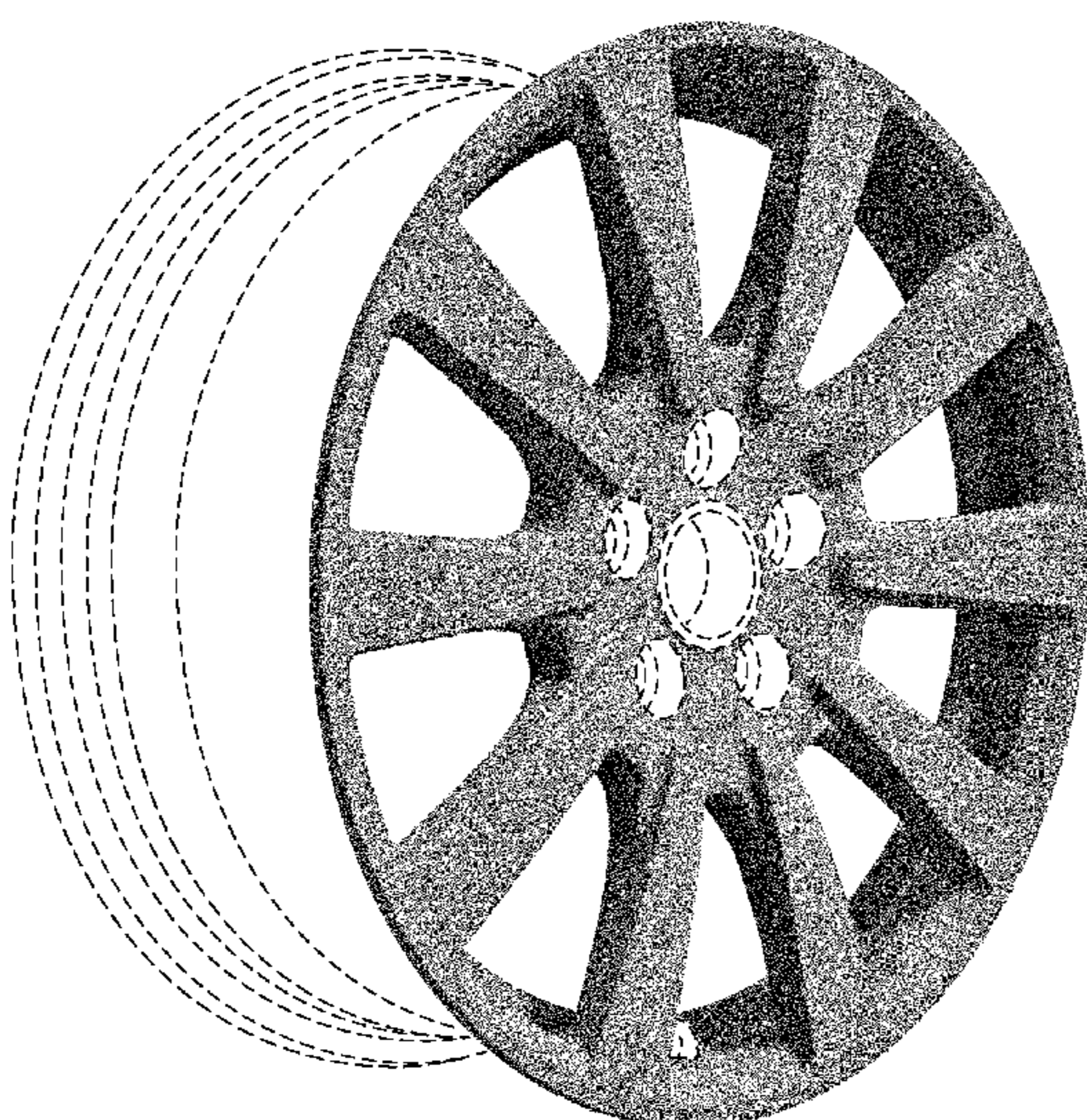
**DESCRIPTION**

FIG. 1 is a left front perspective view of a wheel according to the invention.

FIG. 2 is a front view of the wheel shown in FIG. 1; and, FIG. 3 is a right side view of the wheel shown in FIG. 1, the left side view being a mirror image thereof.

Any elements shown in broken lines form no part of the claimed invention in this application, and are instead included to show environmental aspects of the claimed invention. For example, the broken lines which show the rim, the valve stem hole, the bolt holes, and the center hole form no part of the claimed design.

**1 Claim, 2 Drawing Sheets**



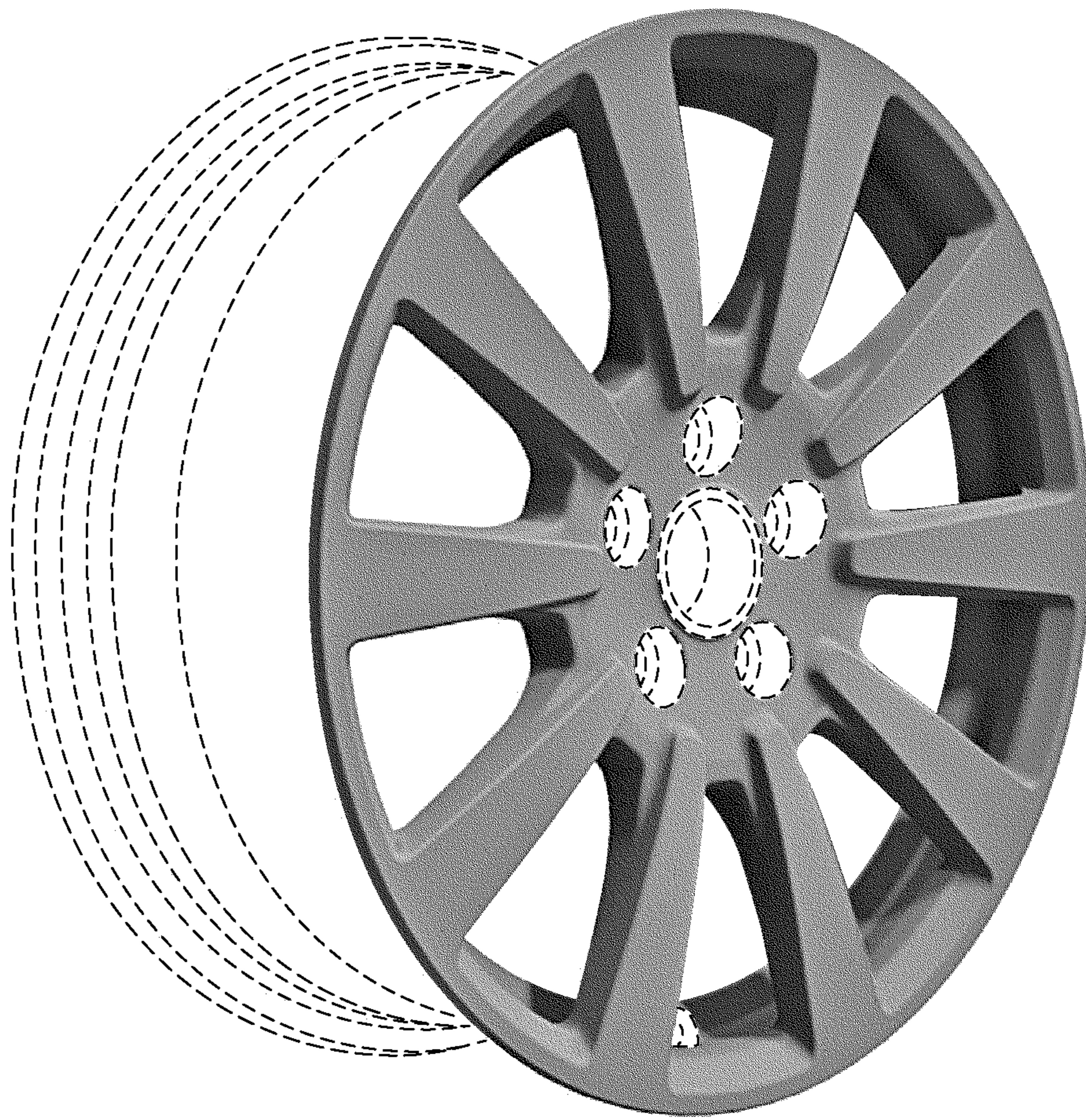


FIG. 1

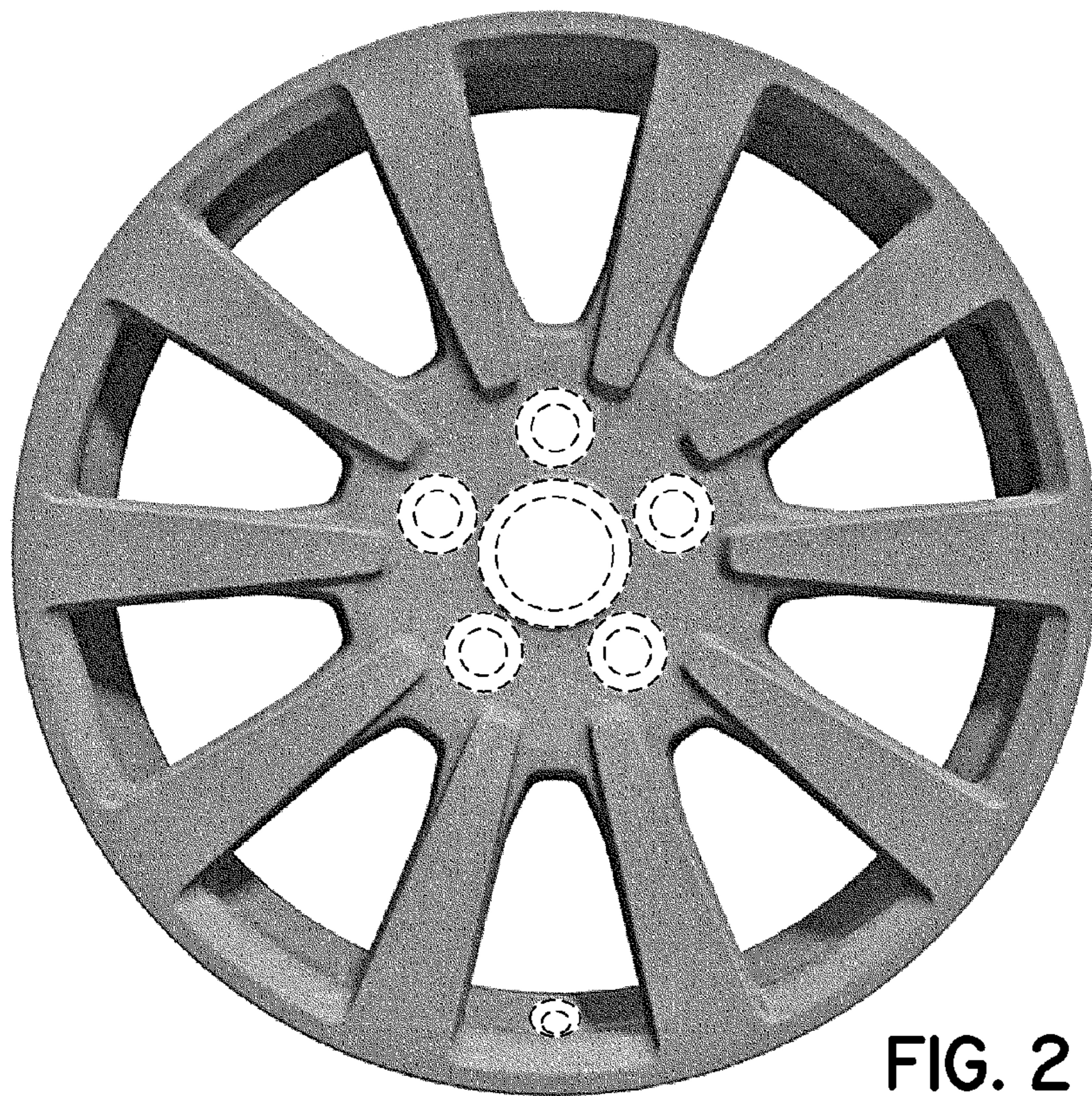


FIG. 2

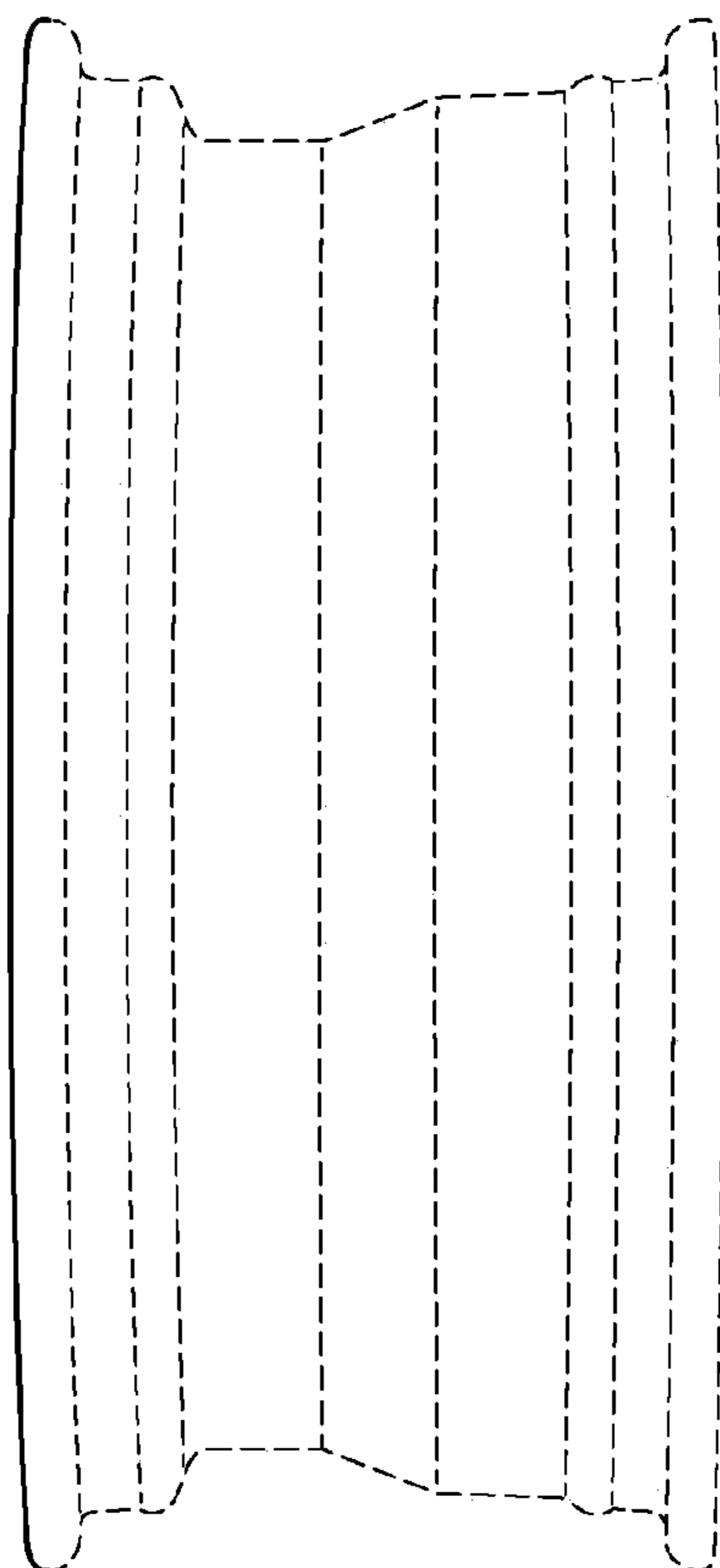


FIG. 3