



US00D775042S

(12) **United States Design Patent** (10) **Patent No.:** **US D775,042 S**  
**Murphy et al.** (45) **Date of Patent:** **\*\* Dec. 27, 2016**

(54) **FOOTBALL HELMET VEHICLE ORNAMENT**  
(71) Applicants: **Mark Alan Murphy**, Woodbridge, VA (US); **Peter Alex Penn**, Pittsburg, PA (US)  
(72) Inventors: **Mark Alan Murphy**, Woodbridge, VA (US); **Peter Alex Penn**, Pittsburg, PA (US)

(73) Assignee: **Mark A. Murphy**

(\*\*) Term: **14 Years**

(21) Appl. No.: **29/526,493**

(22) Filed: **May 10, 2015**

(51) **LOC (10) Cl.** ..... **12-16**

(52) **U.S. Cl.**  
USPC ..... **D12/199**

(58) **Field of Classification Search**  
USPC ..... D12/199, 400; D11/157, 160; D29/102  
CPC ..... A42B 3/08; A42B 3/32; A42B 3/00; A42B 3/227; A42B 3/105; A42B 3/22; A42B 3/06; A42B 3/10  
See application file for complete search history.

(56) **References Cited**

U.S. PATENT DOCUMENTS

D73,263 S *	8/1927	Lippert	.....	D12/199
D73,264 S *	8/1927	Lippert	.....	D12/199
D167,746 S *	9/1952	Hanscom	.....	D12/199
D216,988 S	3/1970	Je Rue		
D321,845 S	11/1991	Nys		
D383,137 S	9/1997	Gamble, Jr. et al.		
D401,193 S	11/1998	Julian		
D413,291 S	8/1999	Corns, Jr.		
D420,670 S	2/2000	Hernandez et al.		
D461,152 S	8/2002	Schmitt		

D514,020 S	1/2006	Puett, III		
D585,327 S	1/2009	Jenkins		
D610,523 S	2/2010	Villarreal		
8,550,487 B2	10/2013	Fox		
D710,778 S *	8/2014	Murphy	.....	D12/199
2008/0256685 A1 *	10/2008	Lampe	.....	A42B 3/068 2/411
2009/0057325 A1 *	3/2009	Tullio	.....	A47G 23/0266 220/739
2011/0214225 A1 *	9/2011	Norris	.....	A42B 3/042 2/425
2012/0285438 A1 *	11/2012	Serrano	.....	A47J 37/0704 126/25 R

(Continued)

*Primary Examiner* — Katrina A Betton

(74) *Attorney, Agent, or Firm* — Mark A. Murphy; Peter A. Penn

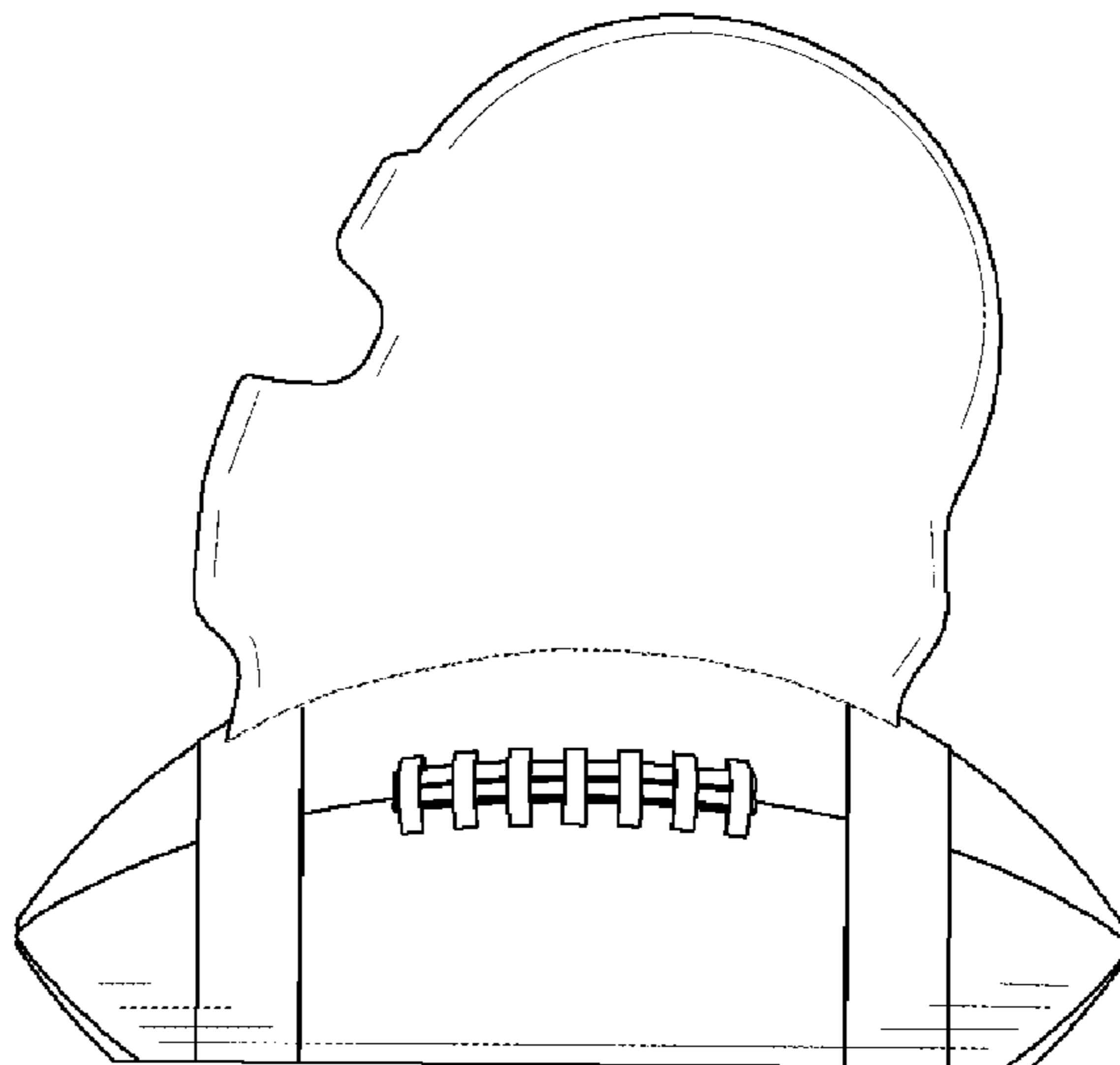
(57) **CLAIM**

The ornamental design for a football helmet vehicle ornament, as shown and described.

**DESCRIPTION**

FIG. 1 is a perspective view of the football helmet vehicle ornament of my new design;  
FIG. 2 is a left side elevation view thereof;  
FIG. 3 is a right side elevation view thereof;  
FIG. 4 is a right side elevation view thereof with surface ornamentation depicted in broken lines that is no part of the claimed design;  
FIG. 5 is a front elevation view thereof;  
FIG. 6 is a rear elevation view thereof;  
FIG. 7 is a top plan view thereof; and,  
FIG. 8 is a bottom plan view thereof.  
In the drawings, the broken lines in FIG. 4 depict surface ornamentations that form no part of the claimed design.  
In the drawings, the broken lines in FIG. 8 depict portions of the article that form no part of the claimed design.

**1 Claim, 6 Drawing Sheets**



(56)

**References Cited**

U.S. PATENT DOCUMENTS

2015/0033453 A1\* 2/2015 Pannikottu ..... A42B 3/121  
2/413  
2015/0164291 A1\* 6/2015 Bethel ..... A47K 10/38  
242/598  
2016/0144263 A1\* 5/2016 Sussmann ..... A63B 71/10  
2/425

\* cited by examiner

Figure 1

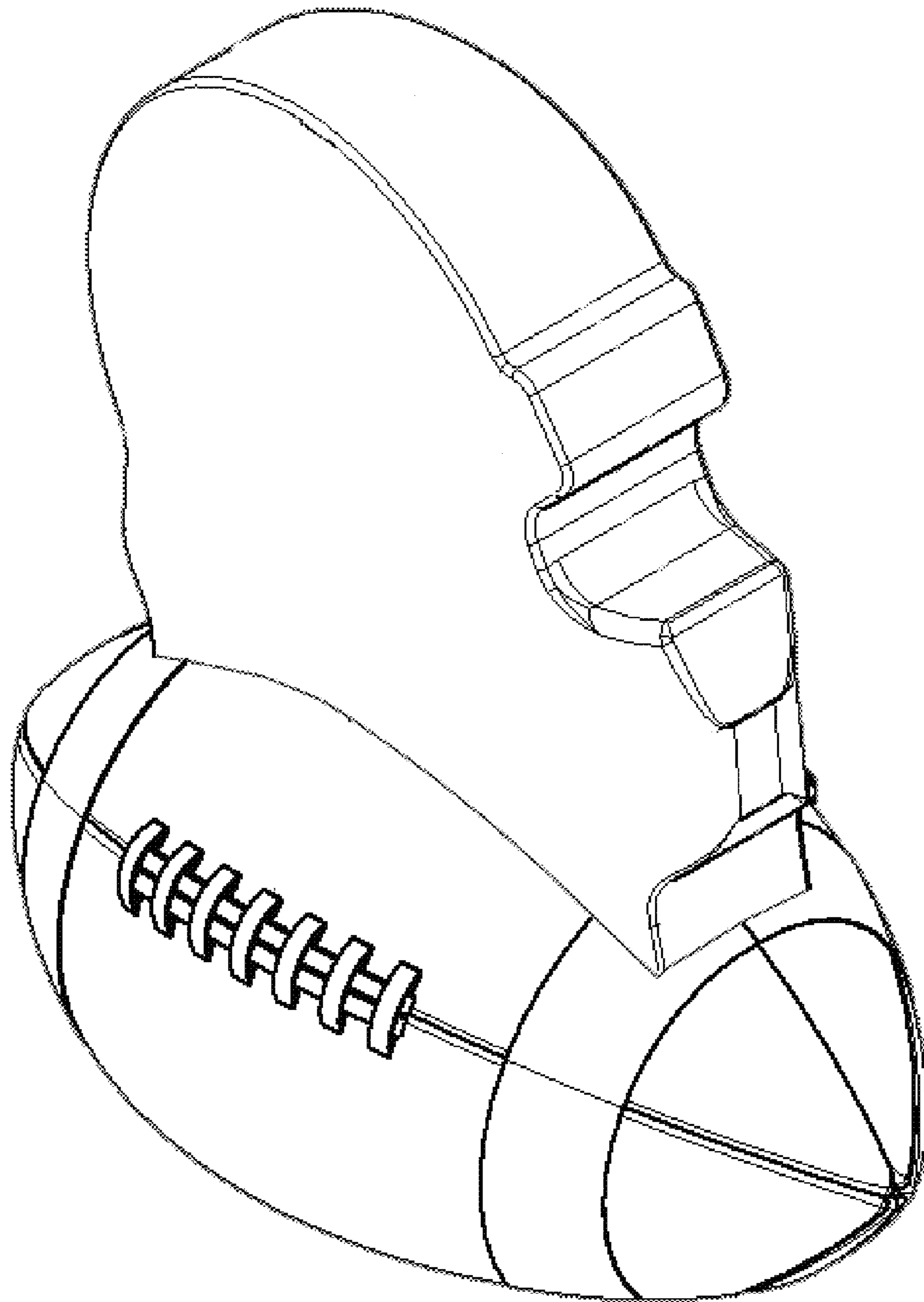


Figure 2

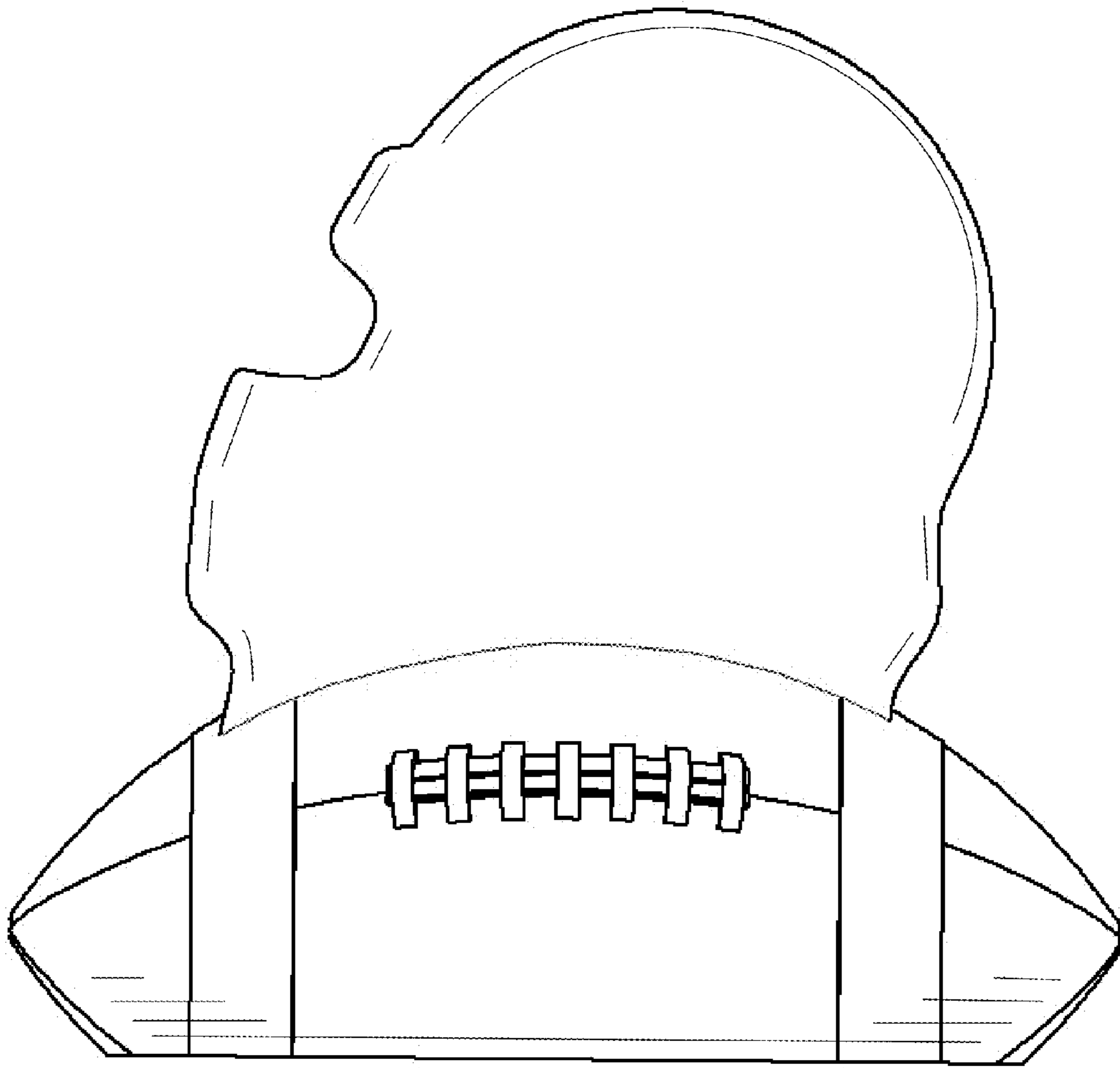


Figure 3

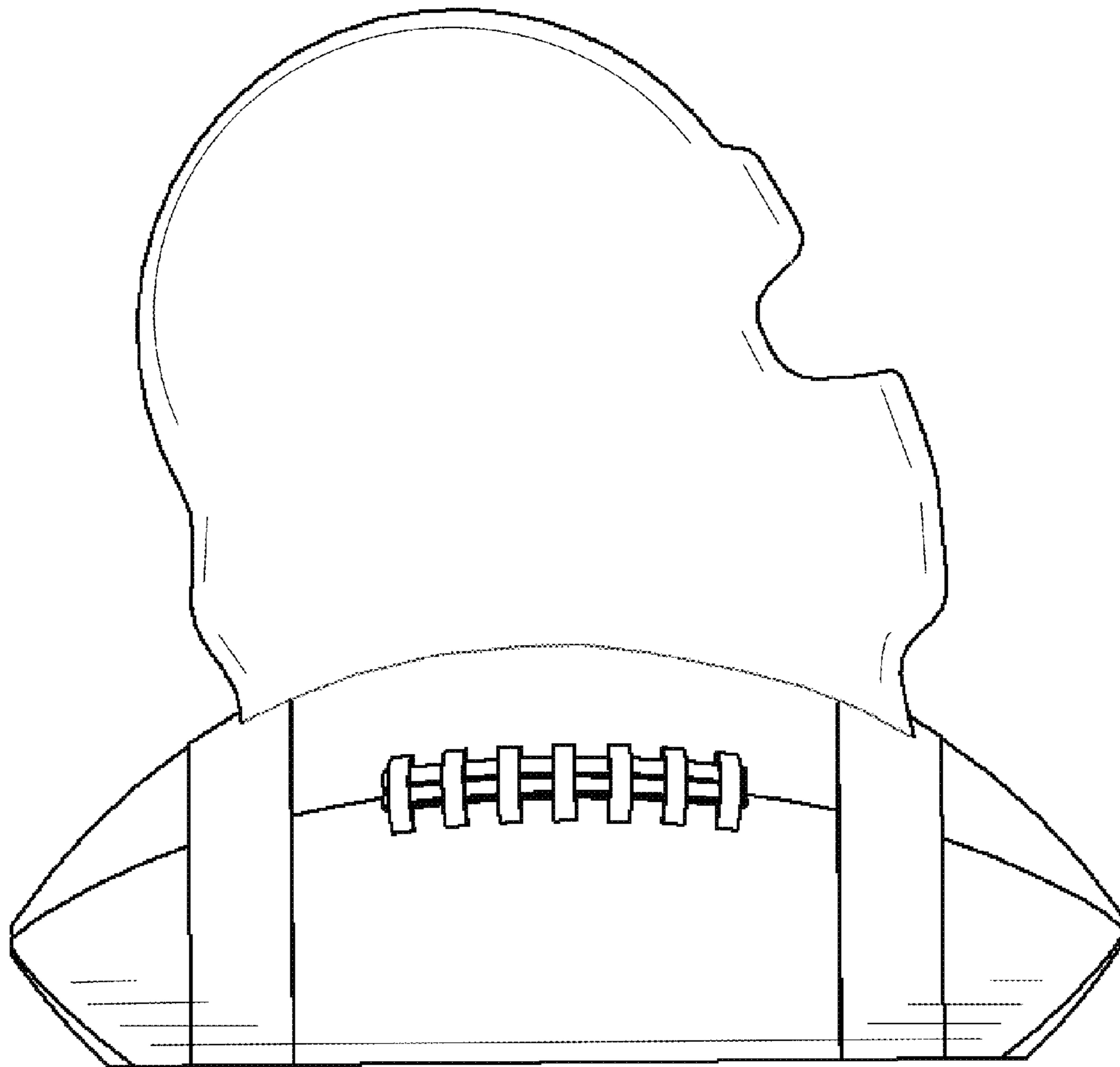


Figure 4

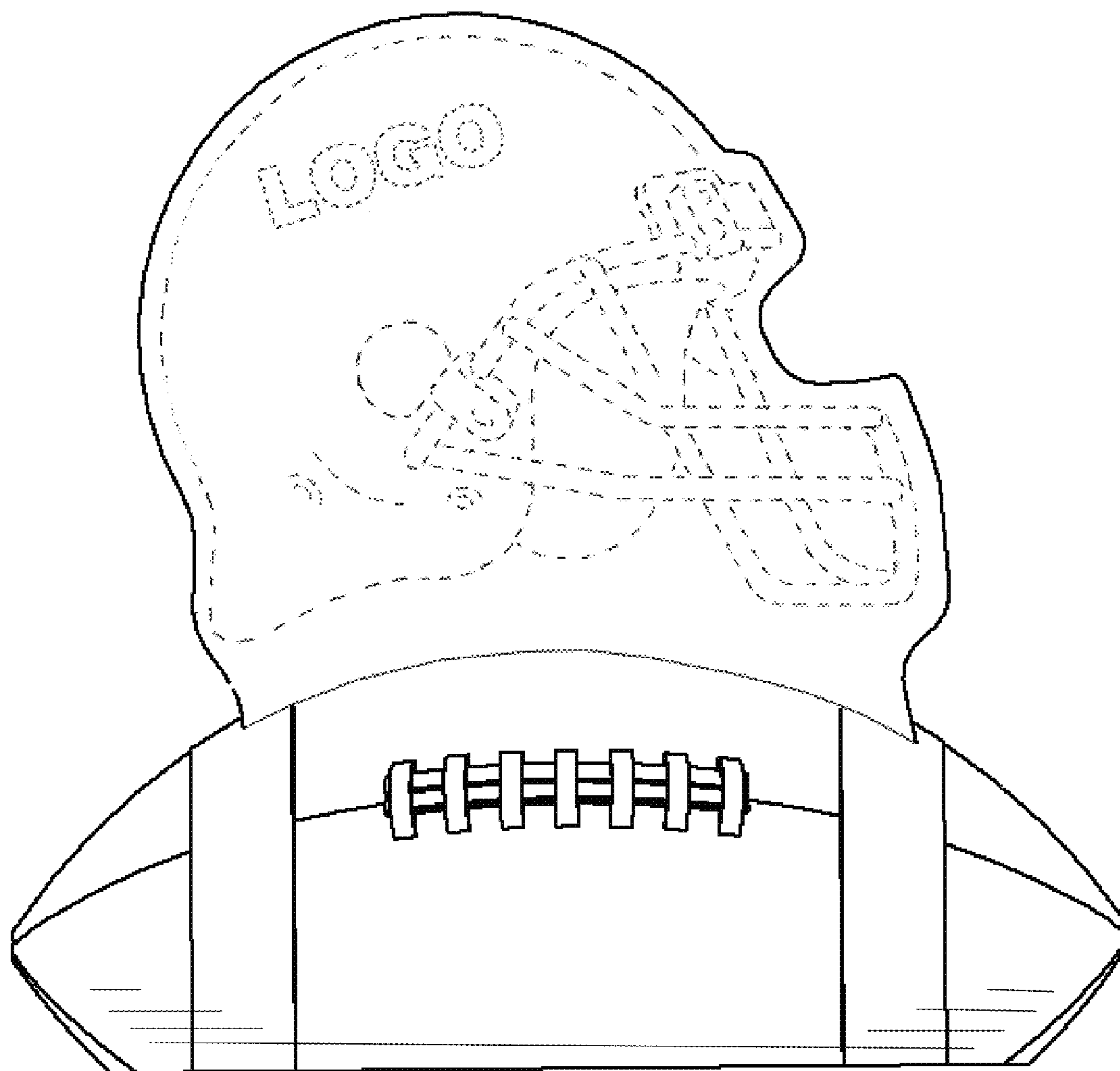


Figure 5

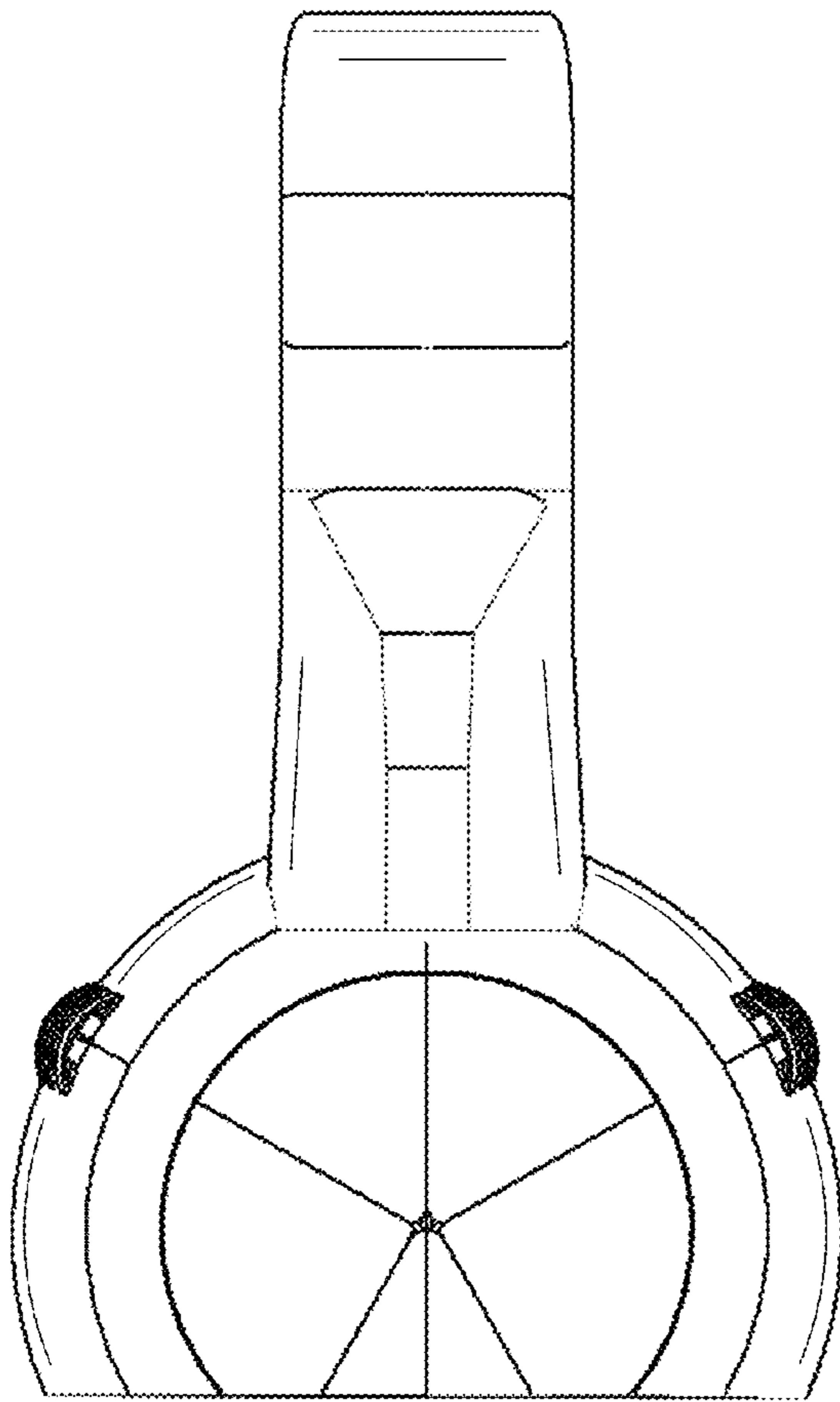


Figure 6

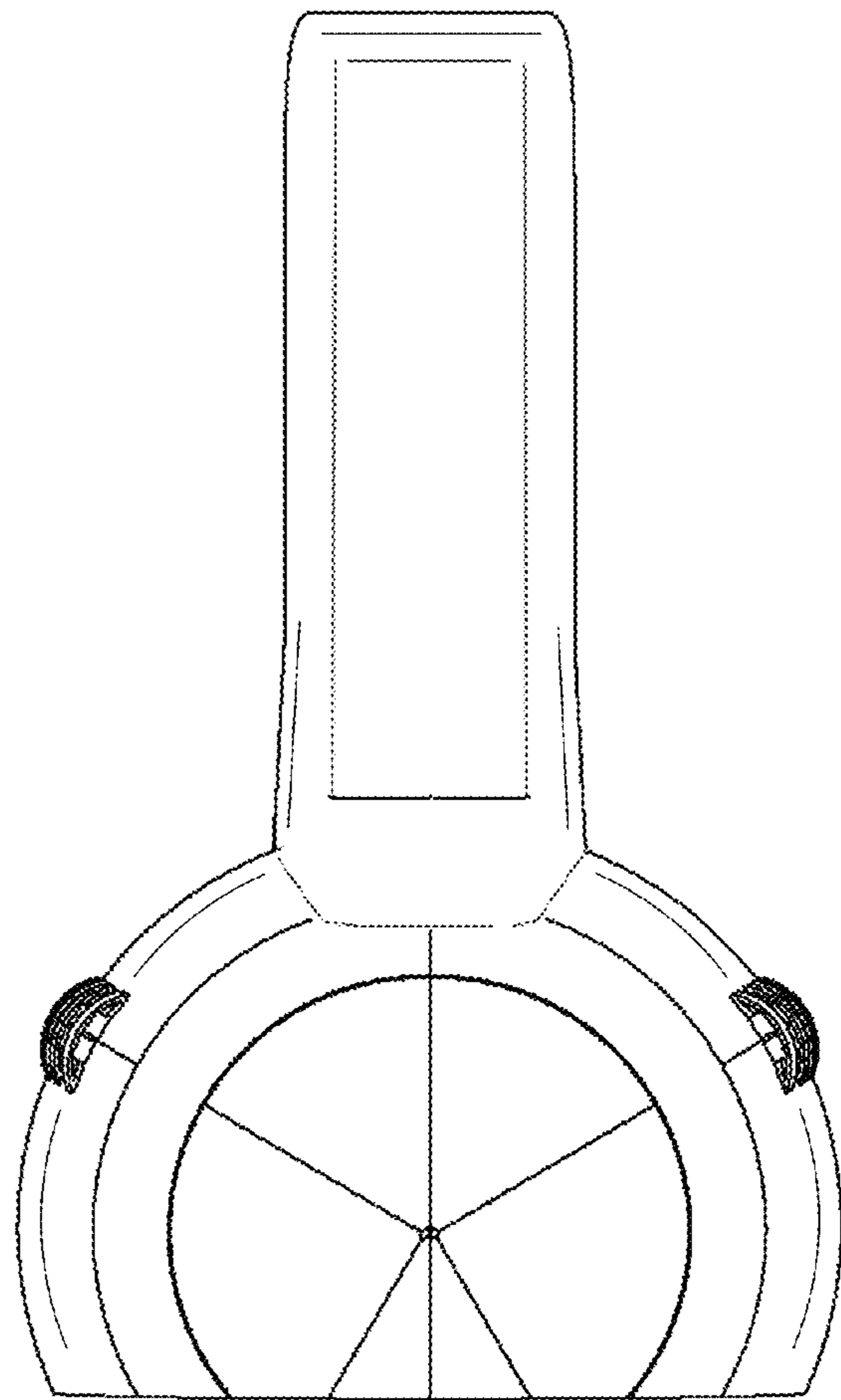




Figure 8

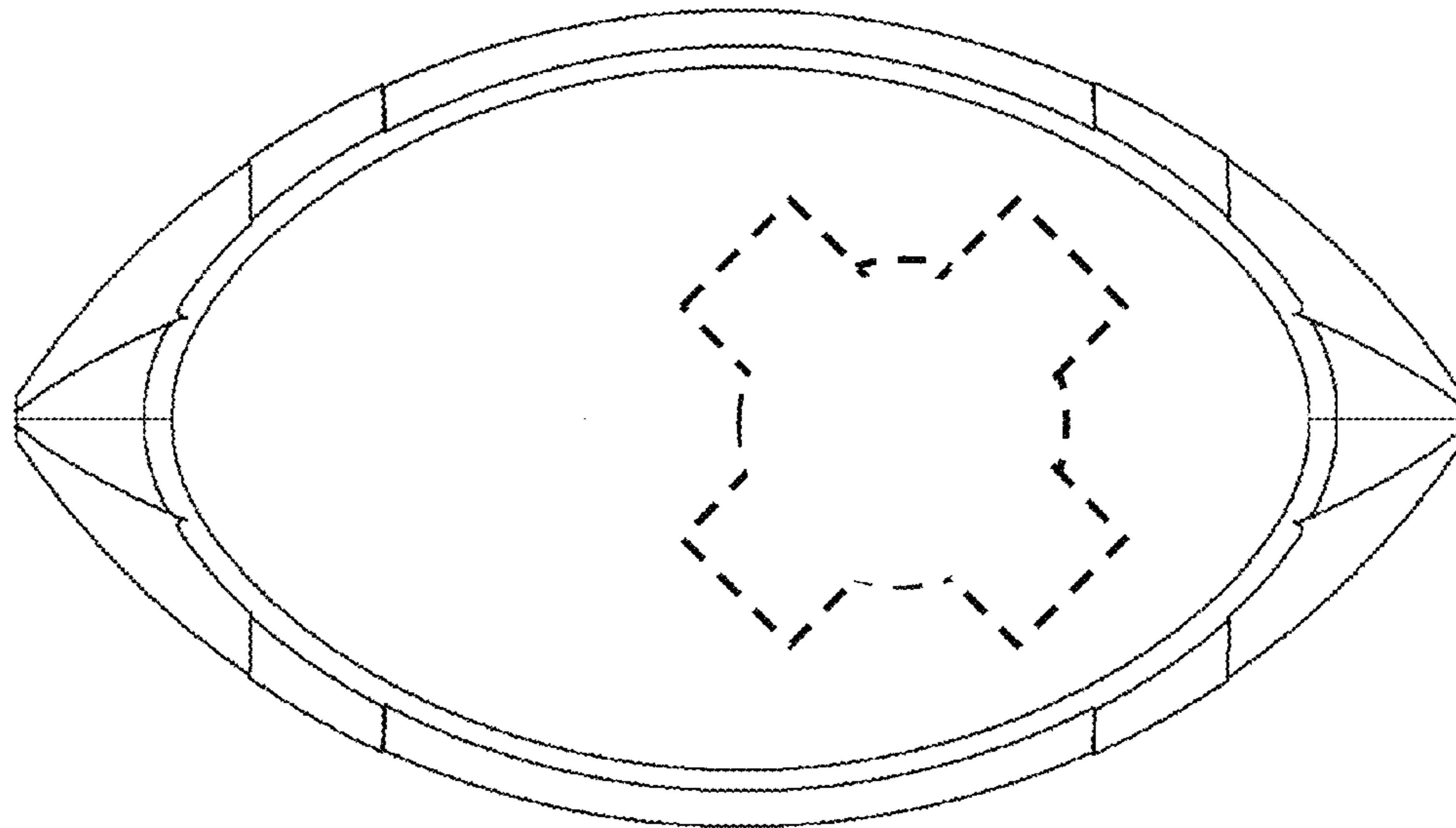


Figure 7

