



US00D775041S

(12) **United States Design Patent**
Matsumura

(10) **Patent No.:** **US D775,041 S**

(45) **Date of Patent:** **** Dec. 27, 2016**

(54) **FUEL TANK CAP FOR MOTORCYCLES**

(71) Applicant: **Kawasaki Jukogyo Kabushiki Kaisha,**
Hyogo (JP)

(72) Inventor: **Norikazu Matsumura,** Akashi (JP)

(73) Assignee: **KAWASAKI JUKOGYO**
KABUSHIKI KAISHA (JP)

(**) Term: **14 Years**

(21) Appl. No.: **29/474,851**

(22) Filed: **Feb. 26, 2015**

(30) **Foreign Application Priority Data**

Sep. 4, 2014 (JP) 2014-019490

(51) **LOC (10) Cl.** **12-16**

(52) **U.S. Cl.**
USPC **D12/197**

(58) **Field of Classification Search**
USPC D12/197-201, 110, 114, 218; D7/398;
D9/451-454, 435; D15/150; D23/260
CPC B63B 3/66; B60H 1/34
See application file for complete search history.

(56) **References Cited**

U.S. PATENT DOCUMENTS

D575,216 S * 8/2008 Shelby D12/197
D585,348 S * 1/2009 Yan D12/197

D594,395 S * 6/2009 Yoshii D12/197
D611,885 S * 3/2010 Dringenberg D12/197
D617,459 S * 6/2010 Bogue D12/197
D649,099 S * 11/2011 Nakamura D12/197
D687,755 S * 8/2013 Griffin D12/197
D756,280 S * 5/2016 Davito D12/197

* cited by examiner

Primary Examiner — Katrina A Betton

(57) **CLAIM**

The ornamental design for a fuel tank cap for motorcycles,
as shown and described.

DESCRIPTION

FIG. 1 is a front elevational view of a fuel tank cap for motorcycles showing my new design;
FIG. 2 is a left side elevational view thereof;
FIG. 3 is a right side elevational view thereof;
FIG. 4 is a top plan view thereof;
FIG. 5 is a bottom plan view thereof; and,
FIG. 6 is a front right perspective view thereof.

The claimed design is a fuel tank cap for motorcycles, the portions of which are dark-gray-colored in the drawings, and the light-grayed-out portions are illustrative purpose only and form no part of the claimed design.

The dark and light grayed surfaces shown on the surface of the design drawings do not represent a color nor a design pattern and only represent shading features on the surface of the ornamental design.

1 Claim, 6 Drawing Sheets

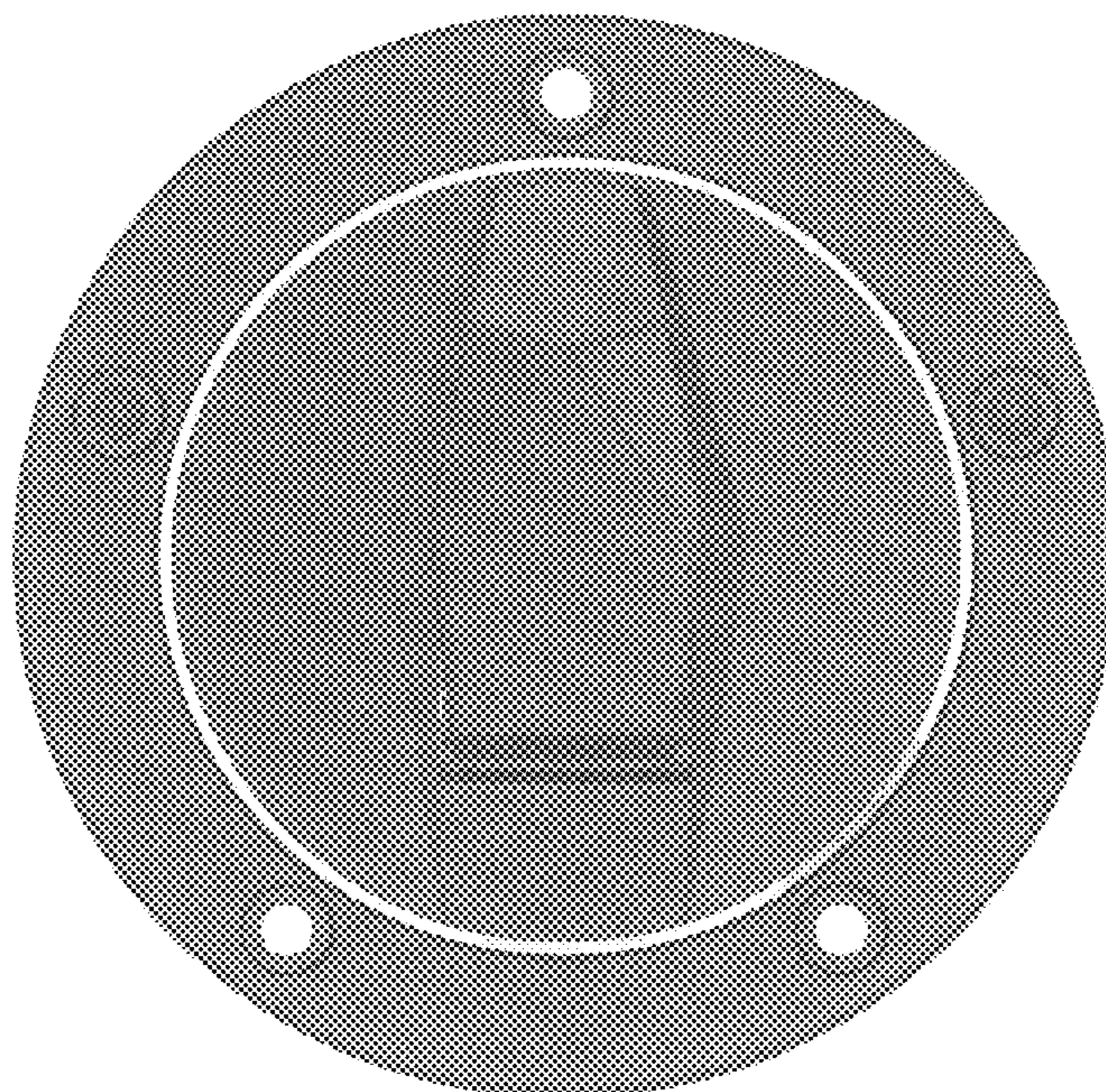


Fig. 1

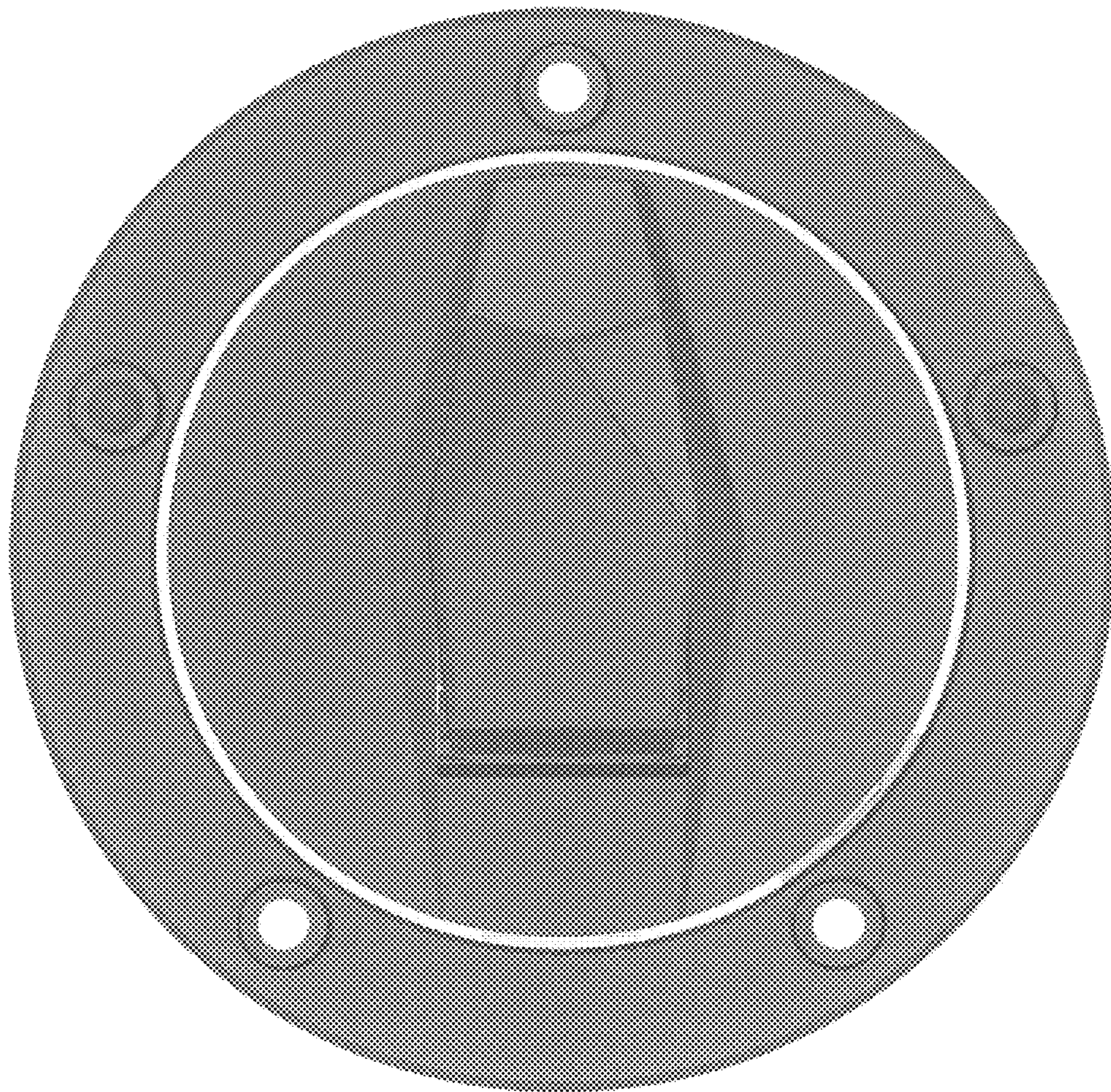


Fig. 2

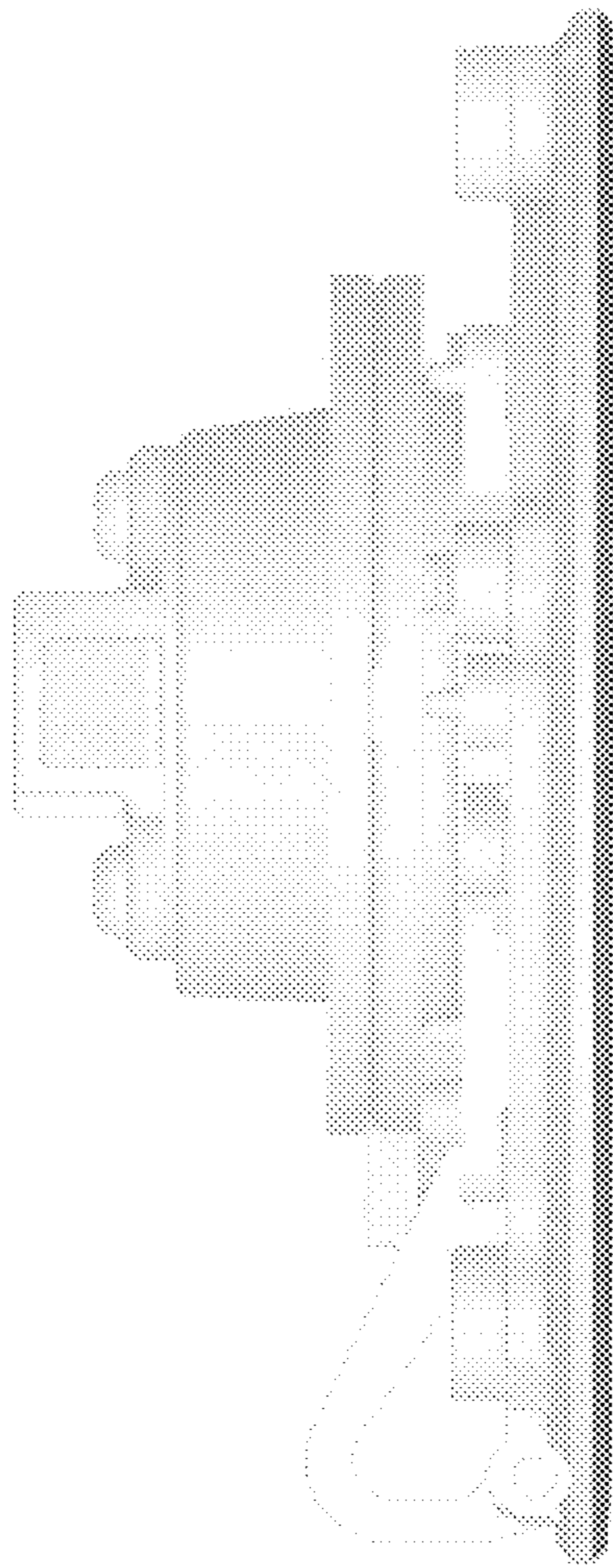


Fig. 3

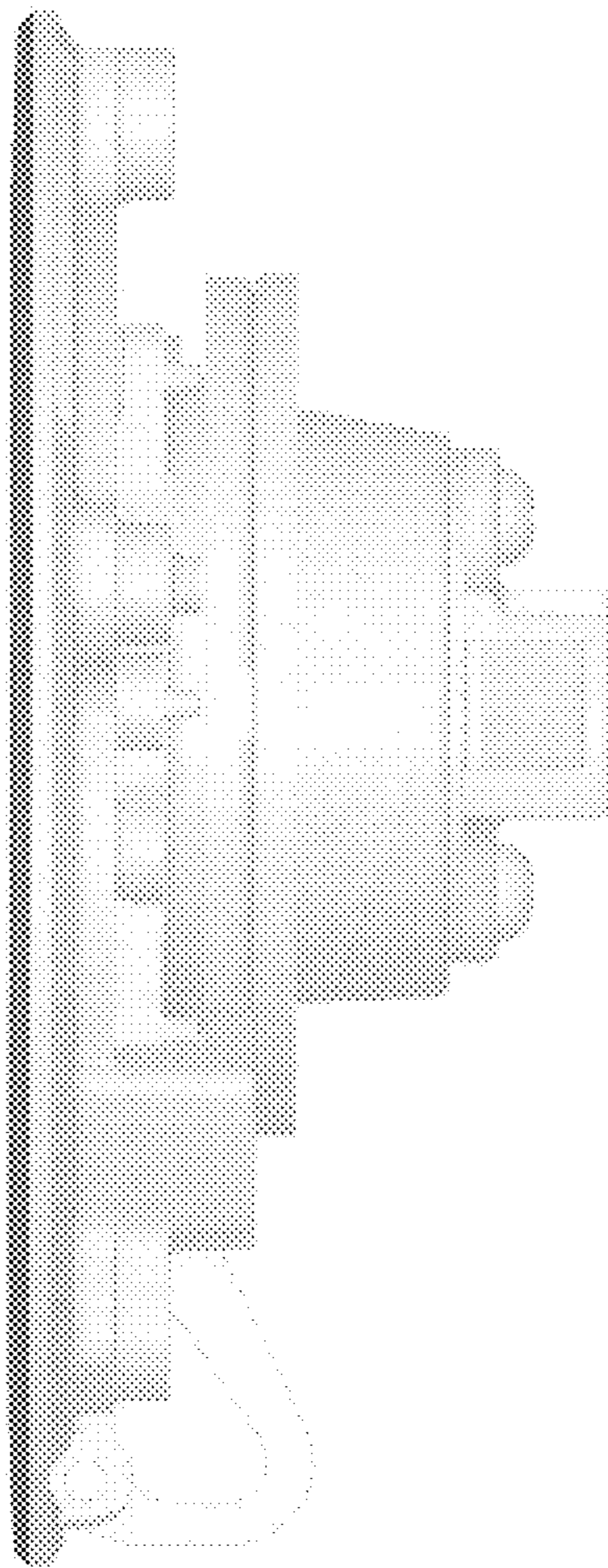


Fig. 4

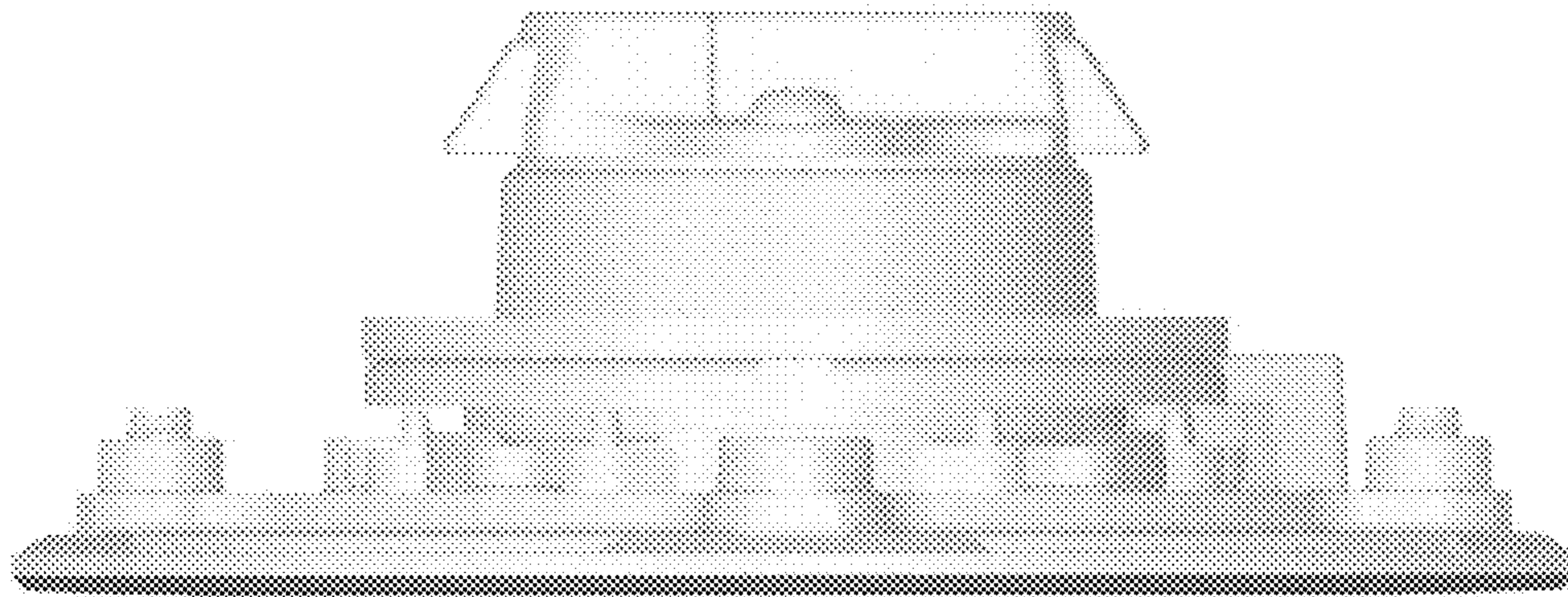


Fig. 5

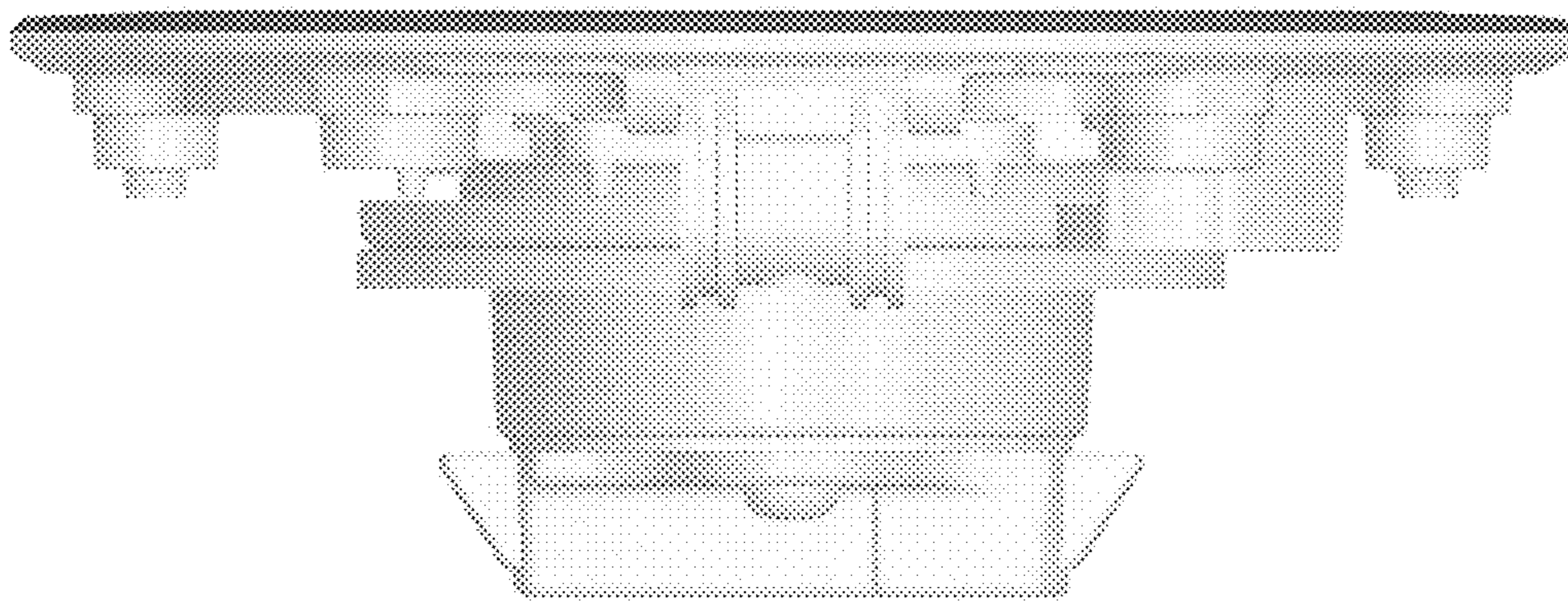


Fig. 6

