



US00D775040S

(12) **United States Design Patent** (10) **Patent No.:** **US D775,040 S**  
**Henry** (45) **Date of Patent:** **\*\* Dec. 27, 2016**

(54) **EXTERIOR AUTOMOBILE PANEL**

(71) Applicant: **DSH Designs, LLC**, Hayden, ID (US)

(72) Inventor: **D. Sean Henry**, Hayden, ID (US)

(73) Assignee: **DSH Designs LLC**, Hayden, ID (US)

(\*\*) Term: **15 Years**

(21) Appl. No.: **29/534,442**

(22) Filed: **Jul. 28, 2015**

(51) **LOC (10) Cl.** ..... **12-16**

(52) **U.S. Cl.**  
USPC ..... **D12/196**

(58) **Field of Classification Search**  
USPC ..... D12/163, 164, 171, 173, 181, 183, 192,  
D12/196-197, 401, 404, 406, 408,  
D12/412, 414-414.1  
CPC ..... B60J 1/17; B60J 5/0402; B60J 5/0419;  
B60J 10/25; B60J 10/27; B60J  
10/76; B60J 10/84; B60J 1/004; B60J  
3/04; B60J 5/00; B60J 5/0411; B60J  
5/0426; B60J 5/0463; B60J 5/103; B60J  
5/105; B60J 7/043; B60J 7/057  
See application file for complete search history.

(56) **References Cited**

**U.S. PATENT DOCUMENTS**

D250,014 S	*	10/1978	Jensen	.....	296/50
D291,676 S	*	9/1987	Noble	.....	D12/405
D295,278 S	*	4/1988	Smith	.....	D12/196
D297,921 S	*	10/1988	Holder	.....	D12/412
D298,817 S	*	12/1988	Hamilton	.....	D12/221
D319,610 S	*	9/1991	Janke	.....	D12/401
5,072,658 A	*	12/1991	Bogage	.....	F24F 9/00 454/188
D327,465 S	*	6/1992	Word	.....	D12/196
D333,117 S	*	2/1993	Hamilton	.....	D12/401
D335,849 S	*	5/1993	Hamilton	.....	D12/401

D342,470 S	*	12/1993	Lomax, Jr.	.....	D12/405
D351,580 S	*	10/1994	Montgomery	.....	D12/181
D372,015 S	*	7/1996	Pinkham	.....	D12/406
D373,986 S	*	9/1996	Hamilton	.....	D12/401
D375,068 S	*	10/1996	Lund	.....	D12/183
D388,385 S	*	12/1997	Protz, Sr.	.....	D12/167
5,768,826 A	*	6/1998	Wilcher	.....	B60J 1/17 49/31
D404,706 S	*	1/1999	Hamilton	.....	D12/401
D408,781 S	*	4/1999	Gordon	.....	D12/401
D412,880 S	*	8/1999	Sadr	.....	D12/192
D432,074 S	*	10/2000	Harris	.....	D12/404
D442,911 S	*	5/2001	Essig	.....	D12/404

(Continued)

**OTHER PUBLICATIONS**

<https://www.facebook.com/jkskinz>—Earliest publication of Apr. 1, 2015.\*

(Continued)

*Primary Examiner* — Manpreet Matharu  
*Assistant Examiner* — Mojtaba Tehrani  
(74) *Attorney, Agent, or Firm* — John Chandler

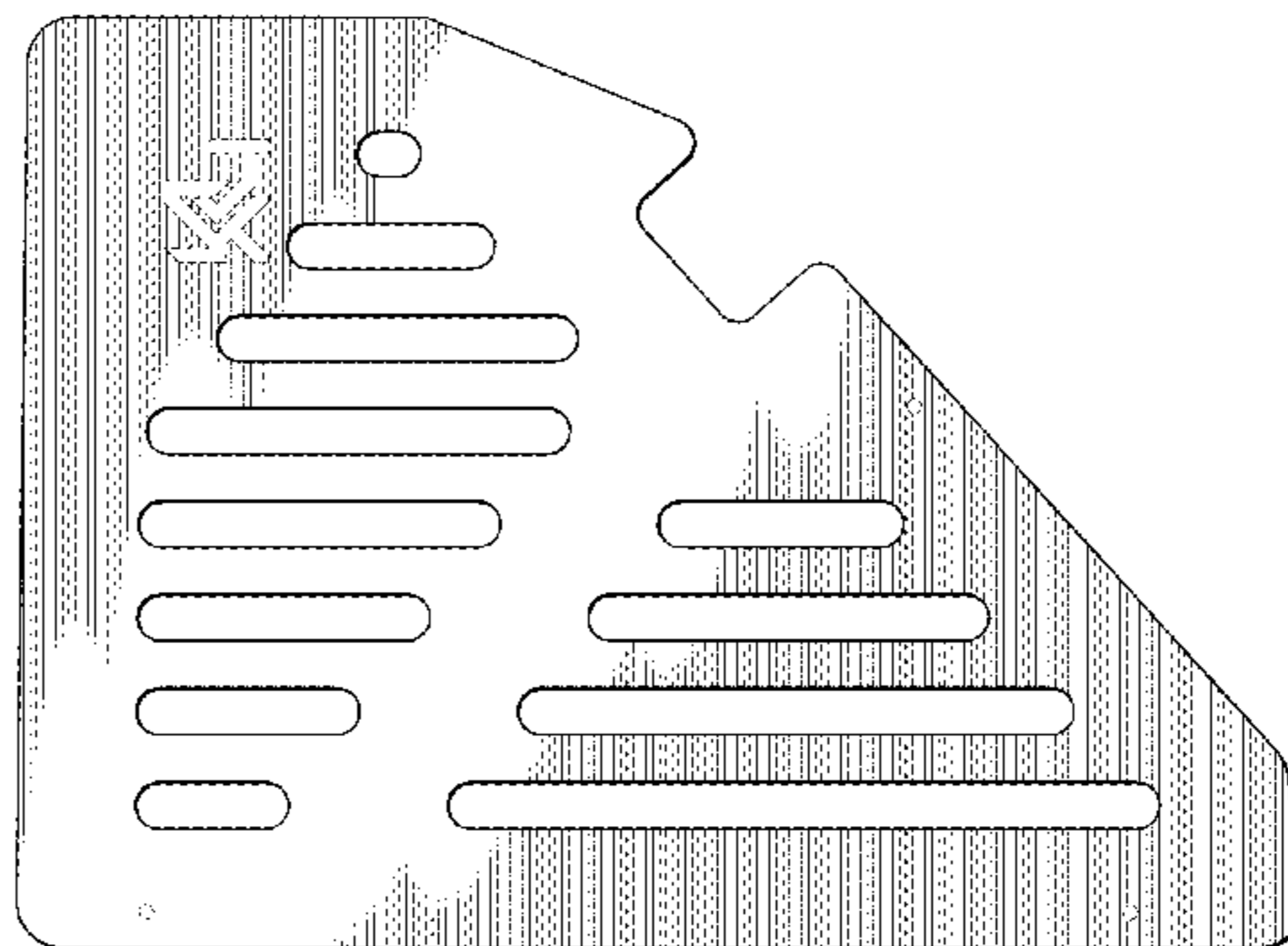
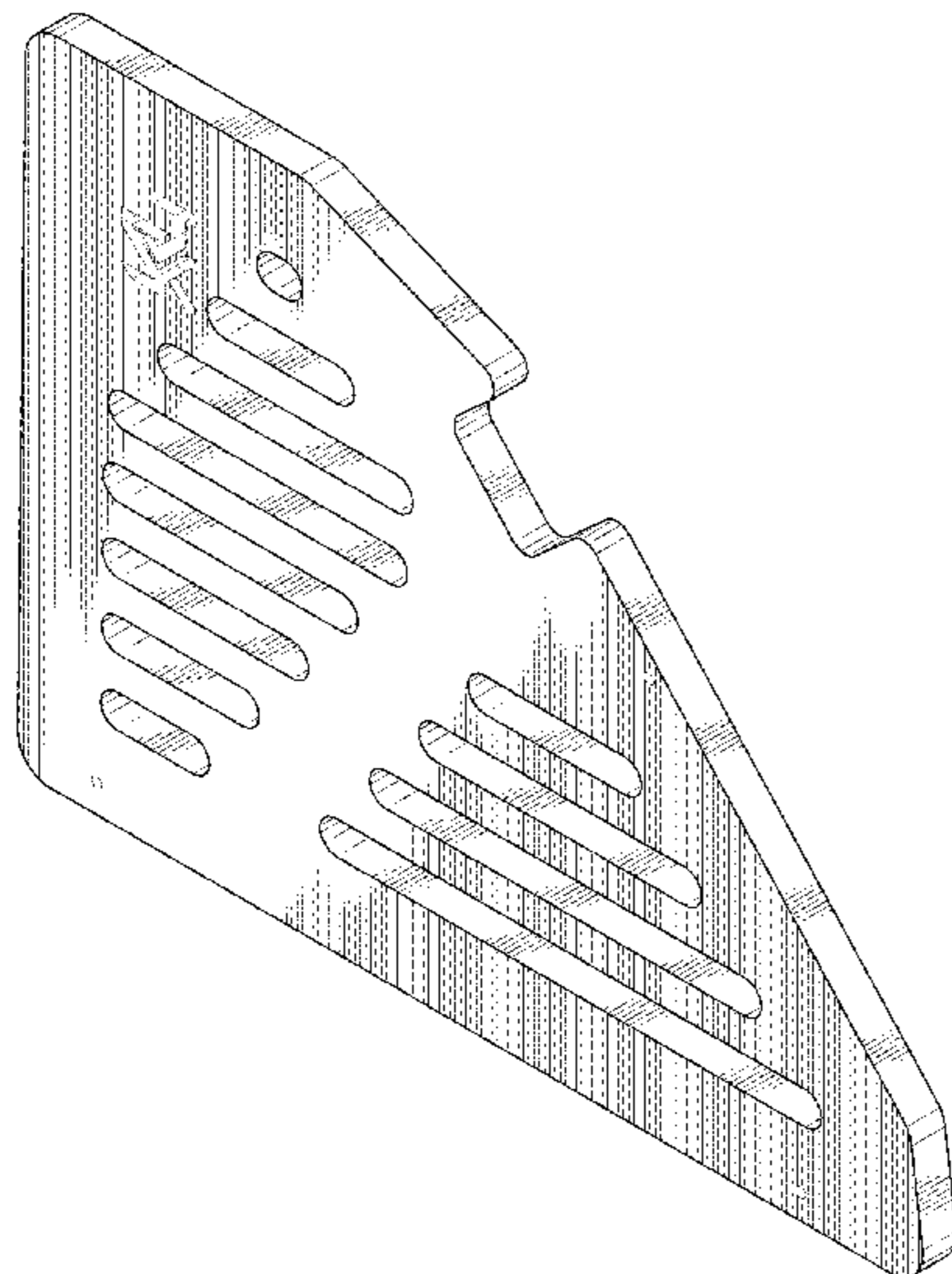
(57) **CLAIM**

The ornamental design for an exterior automobile panel, as shown and described.

**DESCRIPTION**

FIG. 1 is a perspective view of an exterior automobile panel showing my new design;  
FIG. 2 is a left side view thereof;  
FIG. 3 is a right side view thereof;  
FIG. 4 is a top view thereof;  
FIG. 5 is a bottom view thereof;  
FIG. 6 is a front view of the panel design; and,  
FIG. 7 is a rear view thereof.  
The broken line in the figure drawings represents unclaimed environment only and forms no part of the claimed design.

**1 Claim, 4 Drawing Sheets**



(56)

**References Cited**

U.S. PATENT DOCUMENTS

D470,451	S	*	2/2003	Bushart	.....	D12/412
D485,528	S	*	1/2004	Gray	.....	D12/401
D488,756	S	*	4/2004	Gough	.....	D12/196
D488,757	S	*	4/2004	Gough	.....	D12/196
D511,132	S	*	11/2005	Stover	.....	D12/401
D512,947	S	*	12/2005	Buerlein	.....	D12/196
D530,260	S	*	10/2006	Ma	.....	D12/401
D573,067	S	*	7/2008	Ho	.....	D12/163
D593,926	S	*	6/2009	Buck	.....	D12/404
D647,025	S	*	10/2011	Kennedy	.....	D12/406
D672,705	S	*	12/2012	Kennedy	.....	D12/412
D736,690	S	*	8/2015	Bennett	.....	D12/401
D748,038	S	*	1/2016	Bennett	.....	D12/404
D756,859	S	*	5/2016	Malina	.....	D12/167

OTHER PUBLICATIONS

<https://www.youtube.com/watch?v=M3k49Tx1Lqg>—Published on May 8, 2015.\*

\* cited by examiner

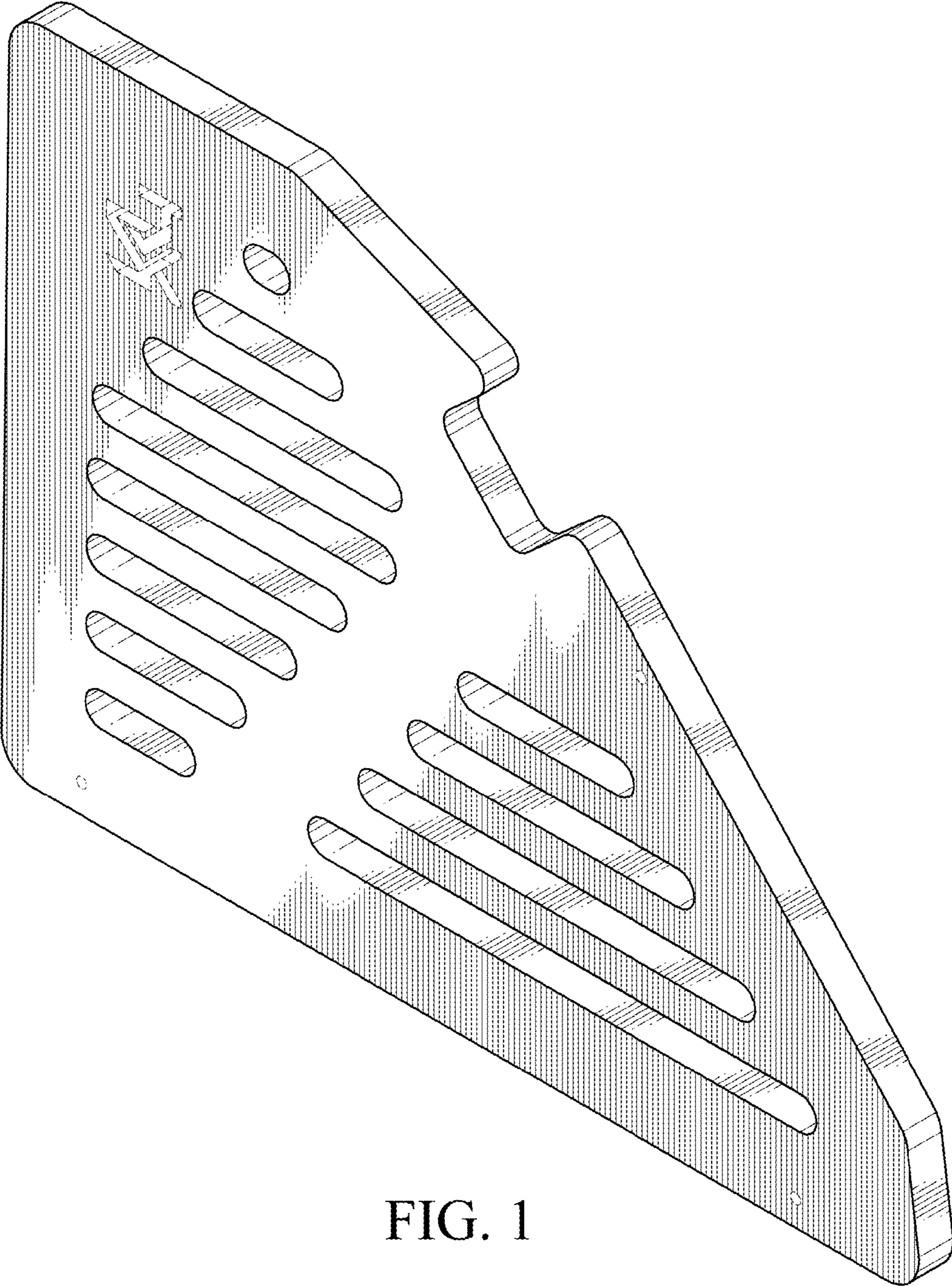


FIG. 1



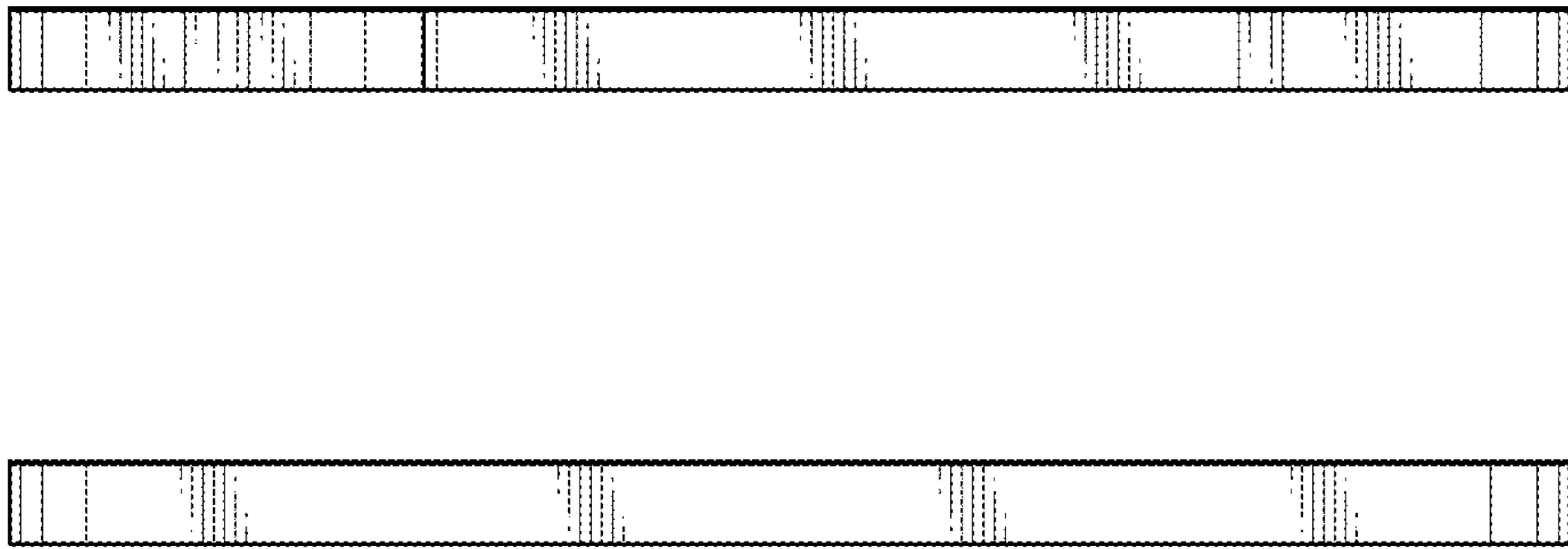


FIG. 2    FIG. 3



FIG. 4

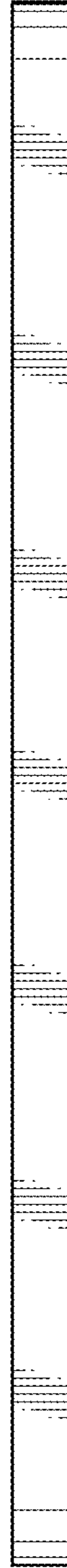


FIG. 5

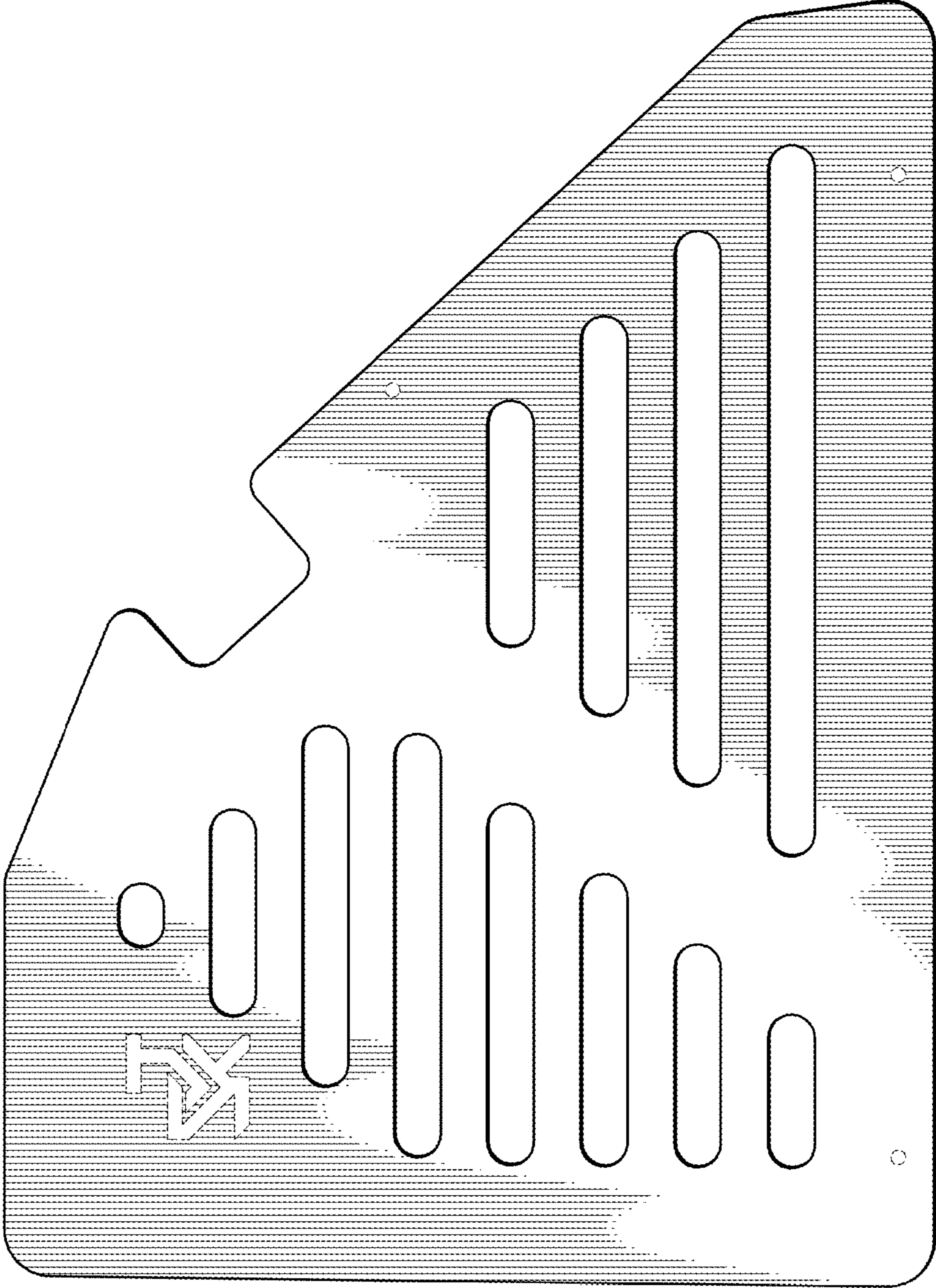


FIG. 6

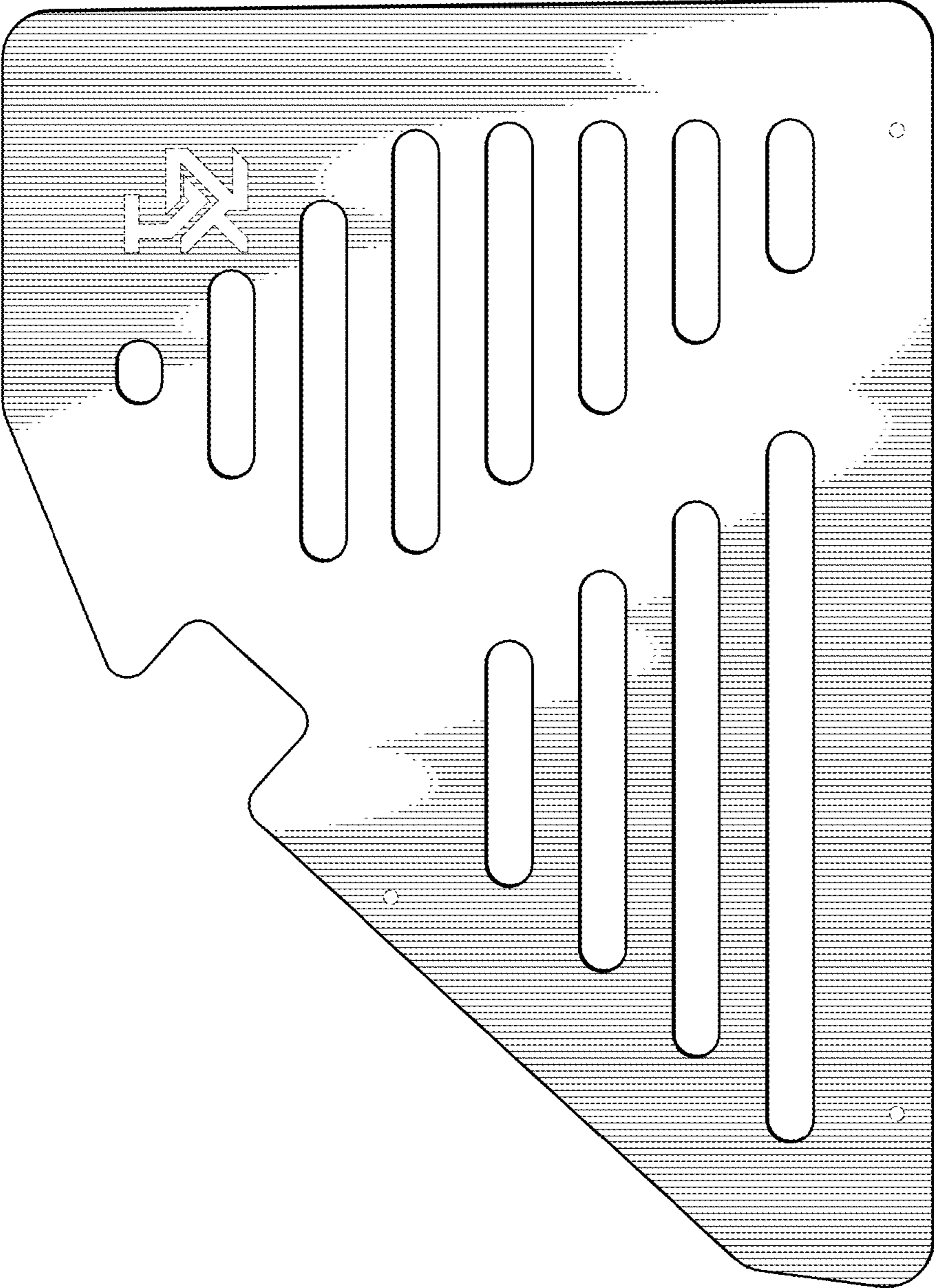


FIG. 7