



US00D775038S

(12) **United States Design Patent**  
**Frascella**

(10) **Patent No.:** **US D775,038 S**

(45) **Date of Patent:** **\*\* Dec. 27, 2016**

(54) **VEHICLE REAR BUMPER PANEL**

(71) Applicant: **Jaguar Land Rover Limited**, Coventry (GB)

(72) Inventor: **Massimo Frascella**, Coventry (GB)

(73) Assignee: **Jaguar Land Rover Limited** (GB)

(\*\*) Term: **14 Years**

(21) Appl. No.: **29/515,281**

(22) Filed: **Jan. 21, 2015**

(30) **Foreign Application Priority Data**

Jul. 22, 2014 (EM) ..... 002507228  
Jul. 22, 2014 (EM) ..... 002507269

(51) **LOC (10) Cl.** ..... **12-16**

(52) **U.S. Cl.**  
USPC ..... **D12/196; D12/169**

(58) **Field of Classification Search**  
USPC .. D12/86, 90-92, 190, 196, 107; 296/181.1,  
296/181.5, 57.1, 180.1, 180.2; 293/102,  
293/103  
CPC ..... B60J 5/0412; B60J 5/04  
See application file for complete search history.

(56) **References Cited**

**U.S. PATENT DOCUMENTS**

D680,473 S \* 4/2013 Kido ..... D12/163  
D712,805 S \* 9/2014 Murkett ..... D12/169

D714,199 S \* 9/2014 Ito ..... D12/196  
D718,678 S \* 12/2014 Ishizuka ..... D12/169  
D718,680 S \* 12/2014 Galante ..... D12/169  
D748,541 S \* 2/2016 Jamieson ..... D12/169  
D751,003 S \* 3/2016 Rupar ..... D12/163

\* cited by examiner

*Primary Examiner* — Melody N Brown

(74) *Attorney, Agent, or Firm* — Fishman Stewart PLLC

(57) **CLAIM**

The ornamental design for a vehicle rear bumper panel, as shown and described.

**DESCRIPTION**

FIG. 1 is a top left rear perspective view of a vehicle rear bumper panel;  
FIG. 2 is a bottom left rear perspective view of a vehicle rear bumper panel;  
FIG. 3 is a right perspective view of a vehicle rear bumper panel;  
FIG. 4 is a front view of a vehicle rear bumper panel;  
FIG. 5 is a rear view of a vehicle rear bumper panel;  
FIG. 6 is a left side view of a vehicle rear bumper panel;  
FIG. 7 is a right side view of a vehicle rear bumper panel;  
and,  
FIG. 8 is another rear perspective view of a vehicle rear bumper panel in the installed position on vehicle. Portions of the vehicle FIG. 8 shown in diagonal lines are for illustrative purposes only and form no part of the claimed design.

**1 Claim, 4 Drawing Sheets**



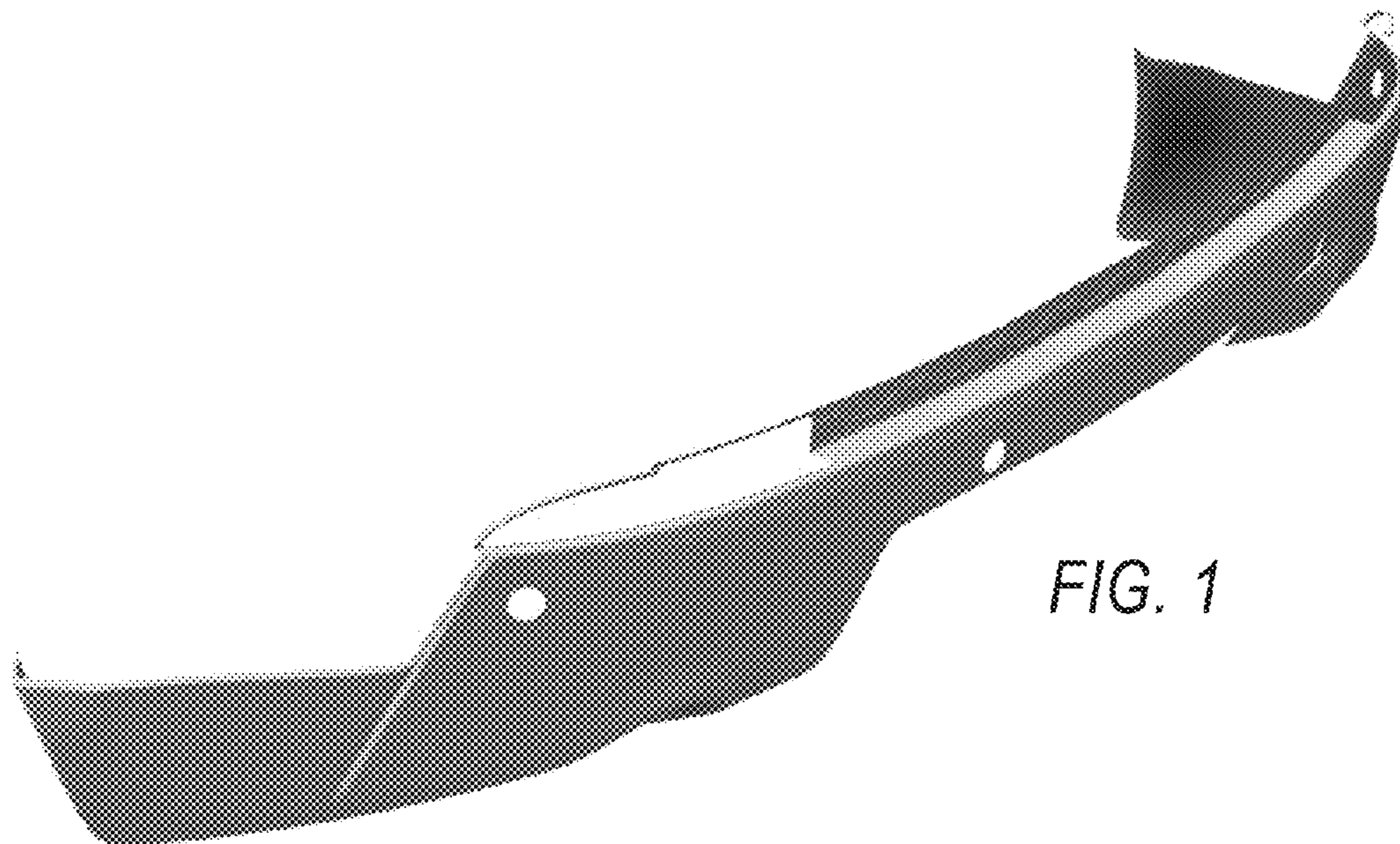


FIG. 1

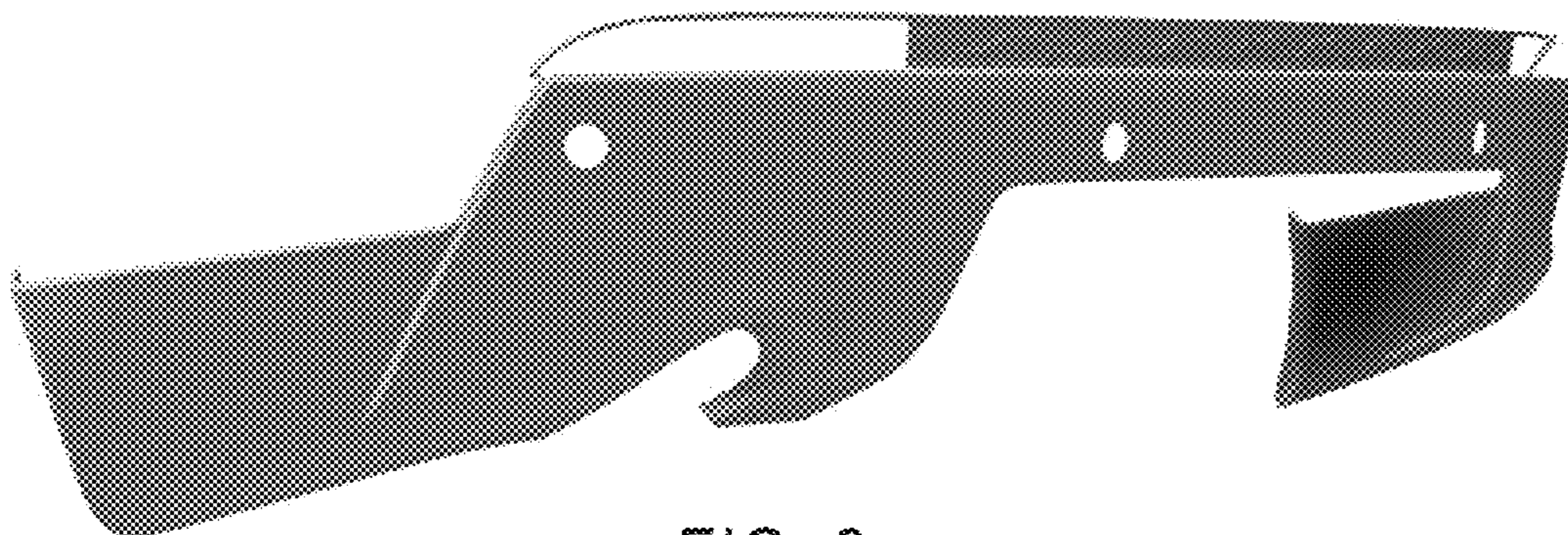


FIG. 2

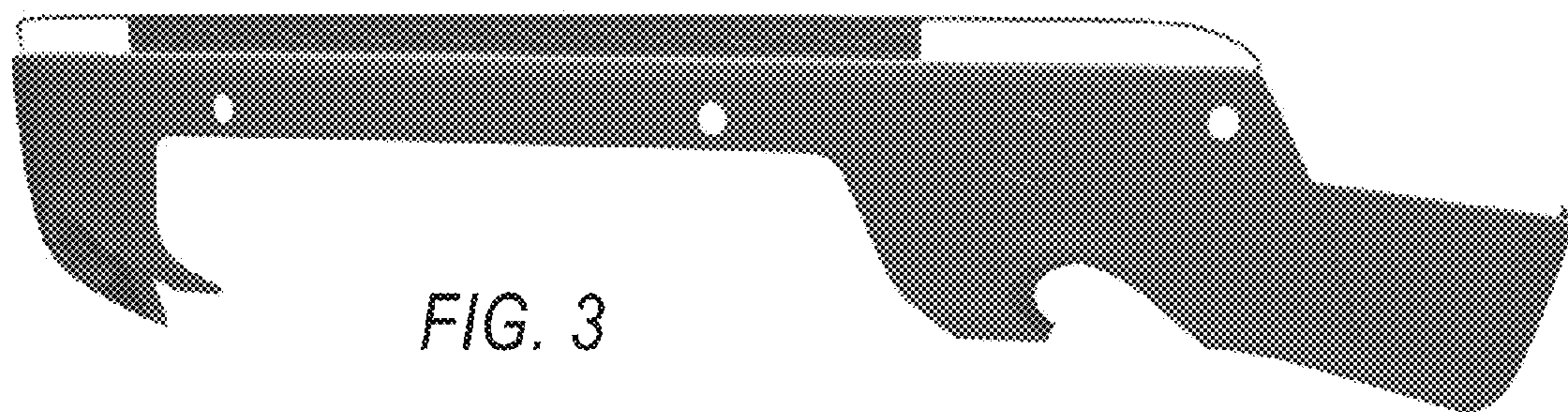


FIG. 3



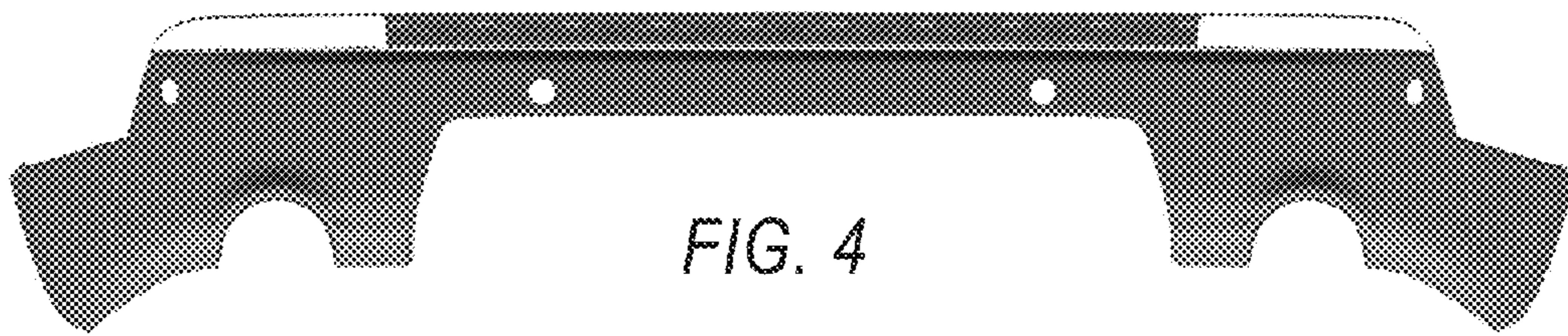


FIG. 4



FIG. 5

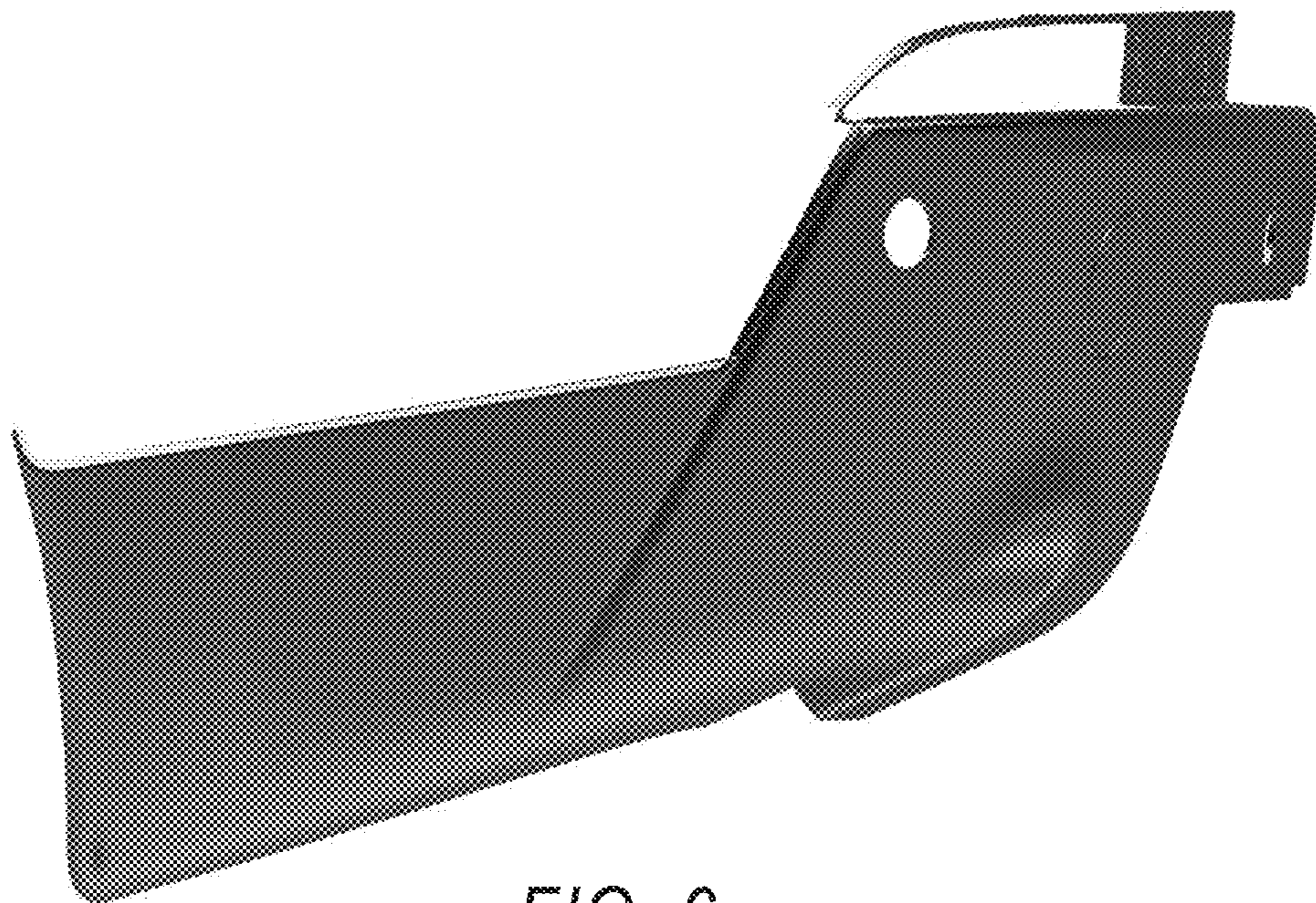


FIG. 6

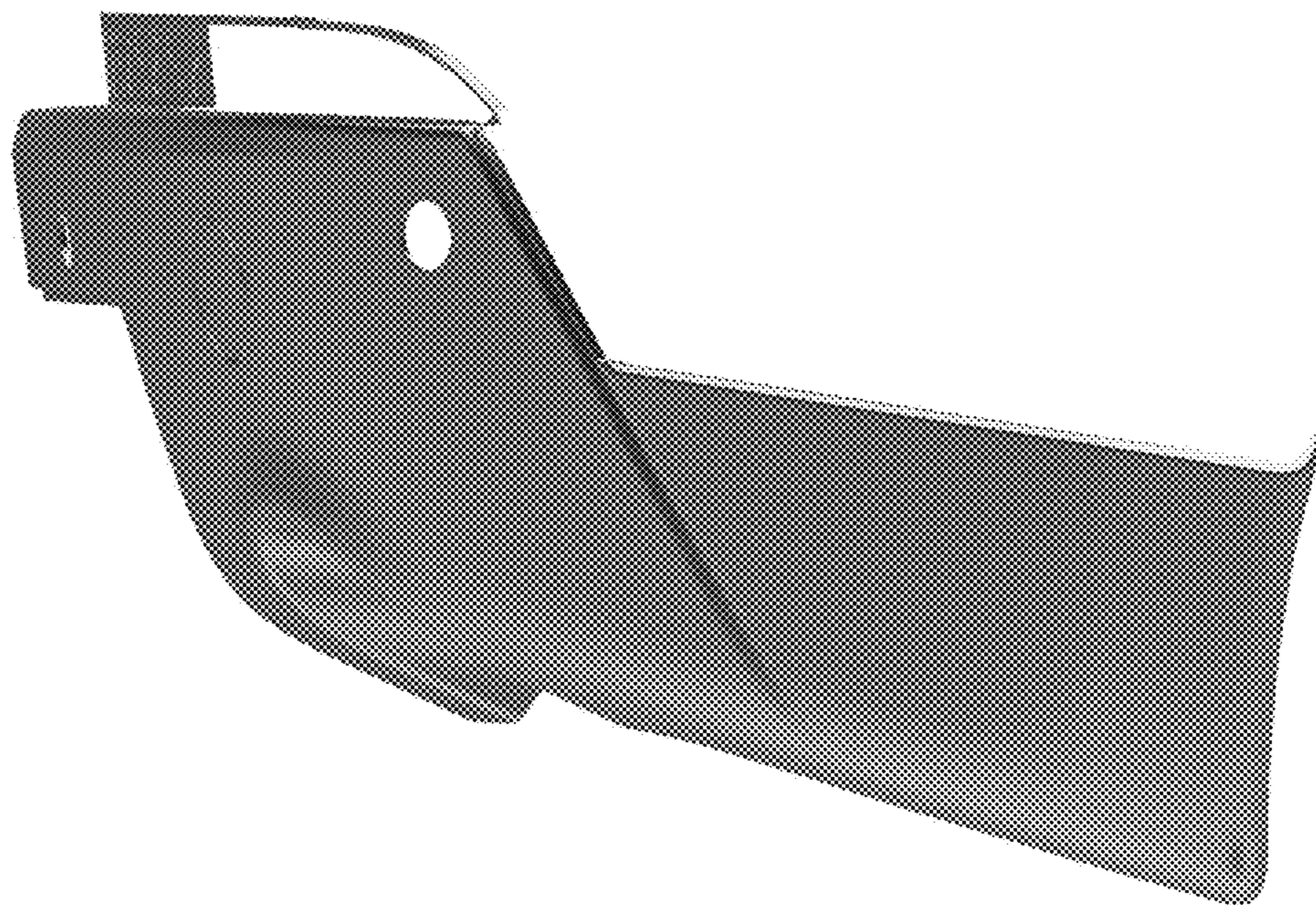


FIG. 7



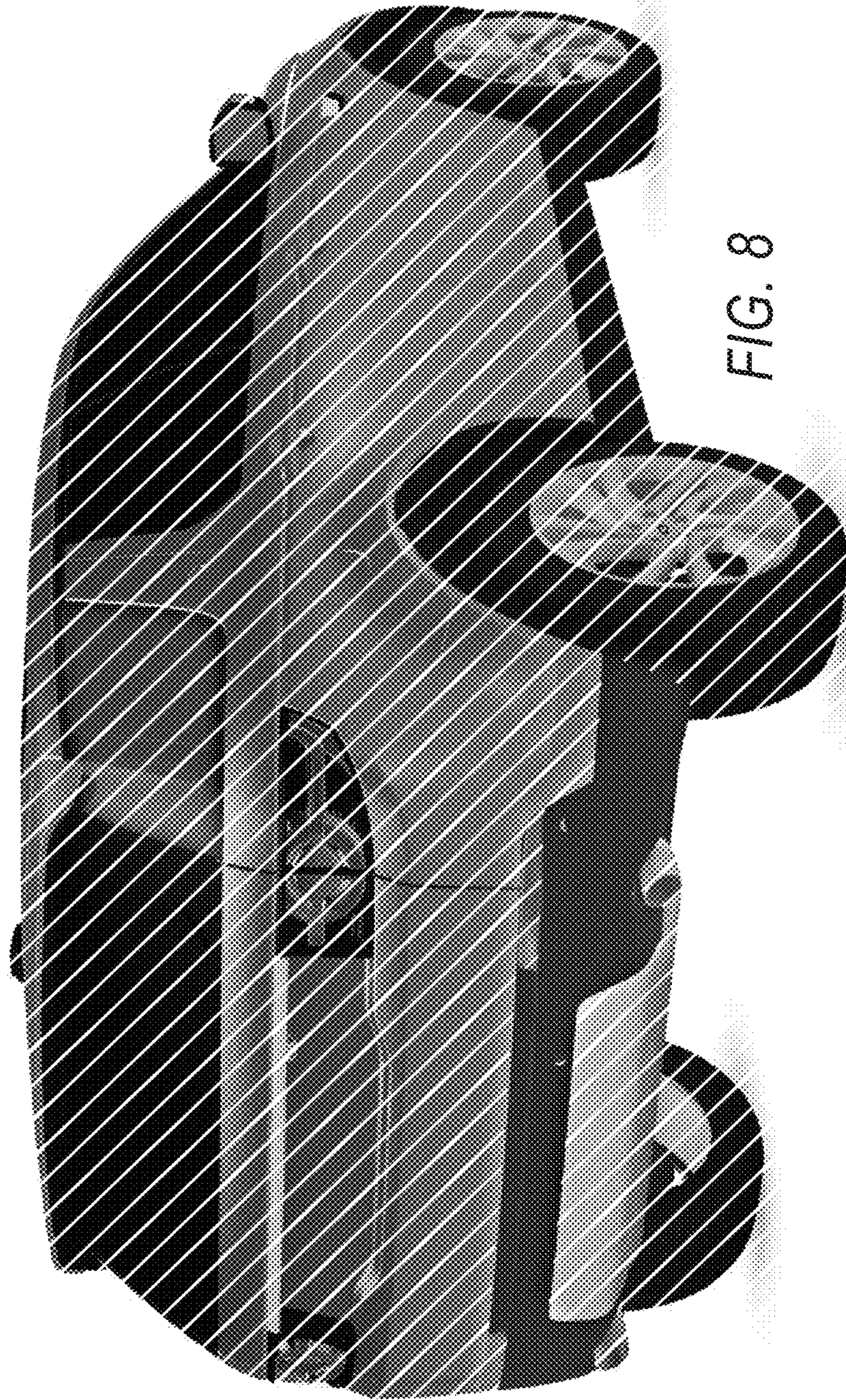


FIG. 8