



US00D775037S

(12) **United States Design Patent**  
**Frascella**

(10) **Patent No.:** **US D775,037 S**

(45) **Date of Patent:** **\*\* Dec. 27, 2016**

(54) **VEHICLE REAR PANEL**

D746,722 S \* 1/2016 Henstridge ..... D12/91  
D750,532 S \* 3/2016 Frascella ..... D12/91  
D752,481 S \* 3/2016 Frascella ..... D12/91

(71) Applicant: **Jaguar Land Rover Limited**, Coventry (GB)

\* cited by examiner

(72) Inventor: **Massimo Frascella**, Coventry (GB)

*Primary Examiner* — Melody N Brown

(73) Assignee: **Jaguar Land Rover Limited** (GB)

(74) *Attorney, Agent, or Firm* — Fishman Stewart PLLC

(\*\*) Term: **14 Years**

(21) Appl. No.: **29/515,238**

(57) **CLAIM**

(22) Filed: **Jan. 21, 2015**

The ornamental design for a vehicle rear panel, as shown and described.

(30) **Foreign Application Priority Data**

Jul. 22, 2014 (EM) ..... 002507228

**DESCRIPTION**

(51) **LOC (10) Cl.** ..... **12-16**

(52) **U.S. Cl.**  
USPC ..... **D12/196**

(58) **Field of Classification Search**  
USPC .. D12/86, 90-92, 190, 196, 107; 296/181.1,  
296/181.5, 57.1, 180.1, 180.2; 293/102,  
293/103  
CPC ..... B60J 5/0412; B60J 5/04  
See application file for complete search history.

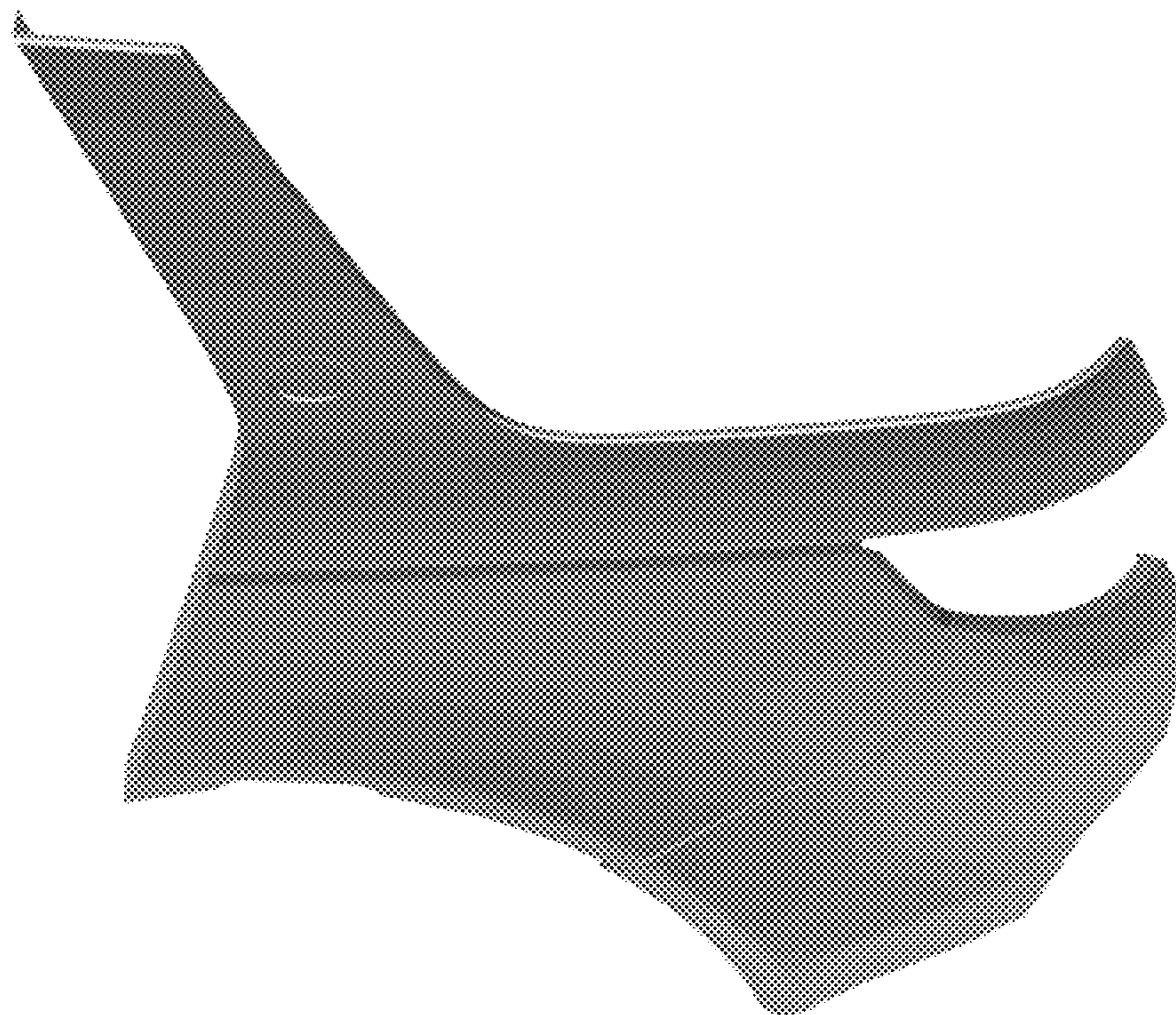
FIG. 1 is a side perspective view of a vehicle rear panel; FIG. 2 is a rear perspective view of a vehicle rear panel; FIG. 3 is a front view of a vehicle rear panel; FIG. 4 is a rear view of a vehicle rear panel; FIG. 5 is an outboard side view of vehicle rear panel; and, FIG. 6 is another rear perspective view of a vehicle rear panel in the installed position on a vehicle. Portions of the vehicle in FIG. 6 shown in diagonal lines are for illustrative purposes only and form no part of the claimed design.

(56) **References Cited**

**U.S. PATENT DOCUMENTS**

D620,413 S \* 7/2010 Huet ..... D12/196  
D620,414 S \* 7/2010 Froehlich ..... D12/196

**1 Claim, 4 Drawing Sheets**



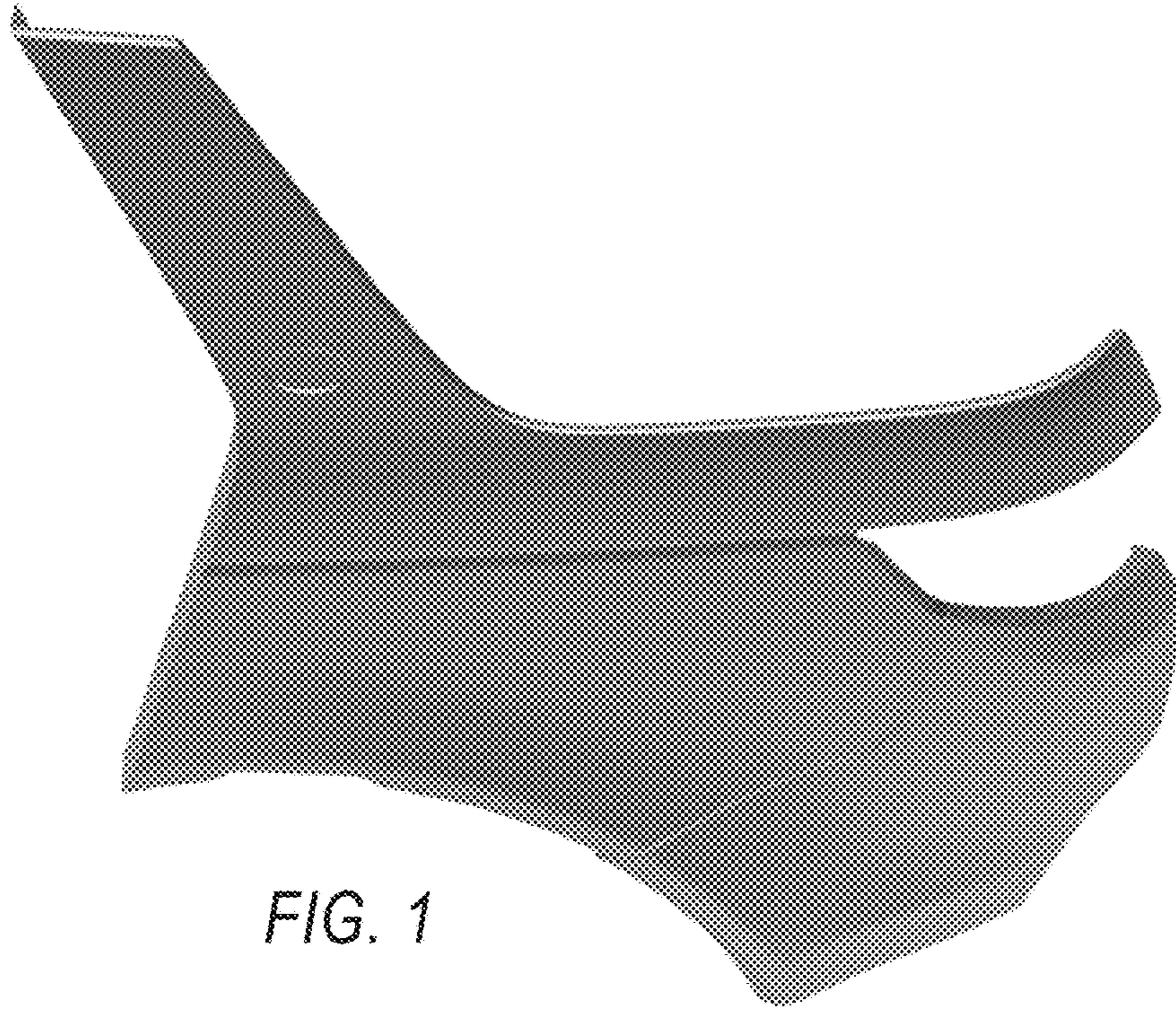


FIG. 1

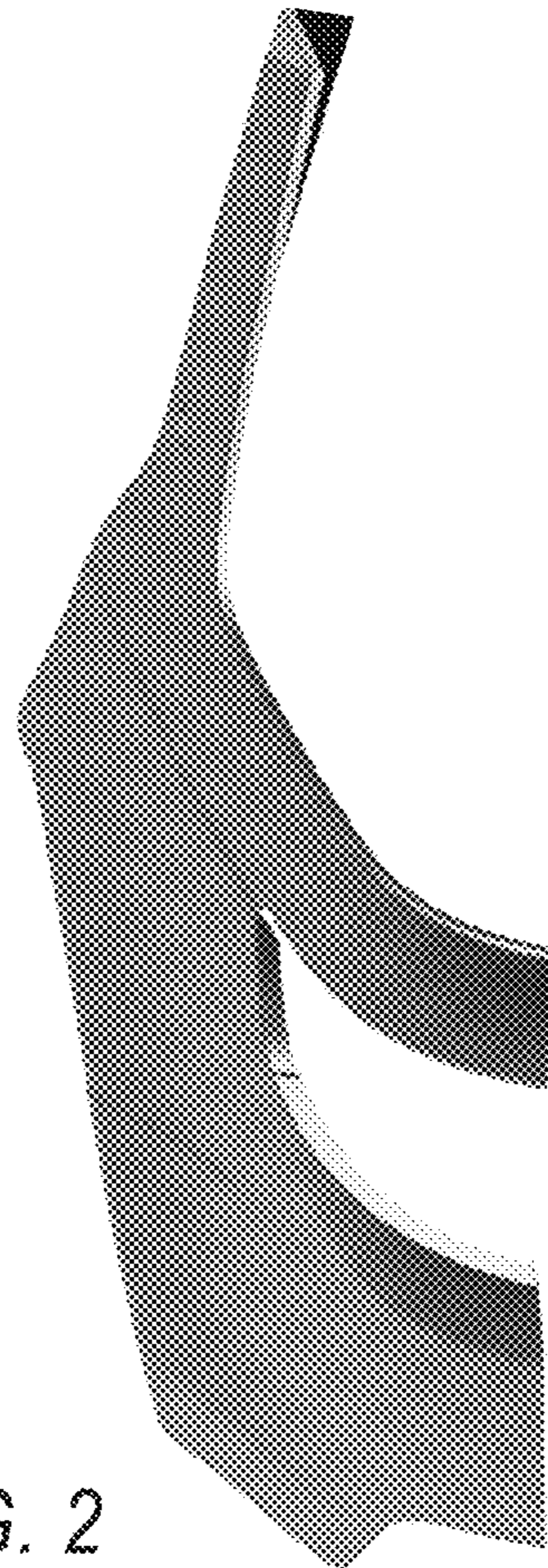


FIG. 2

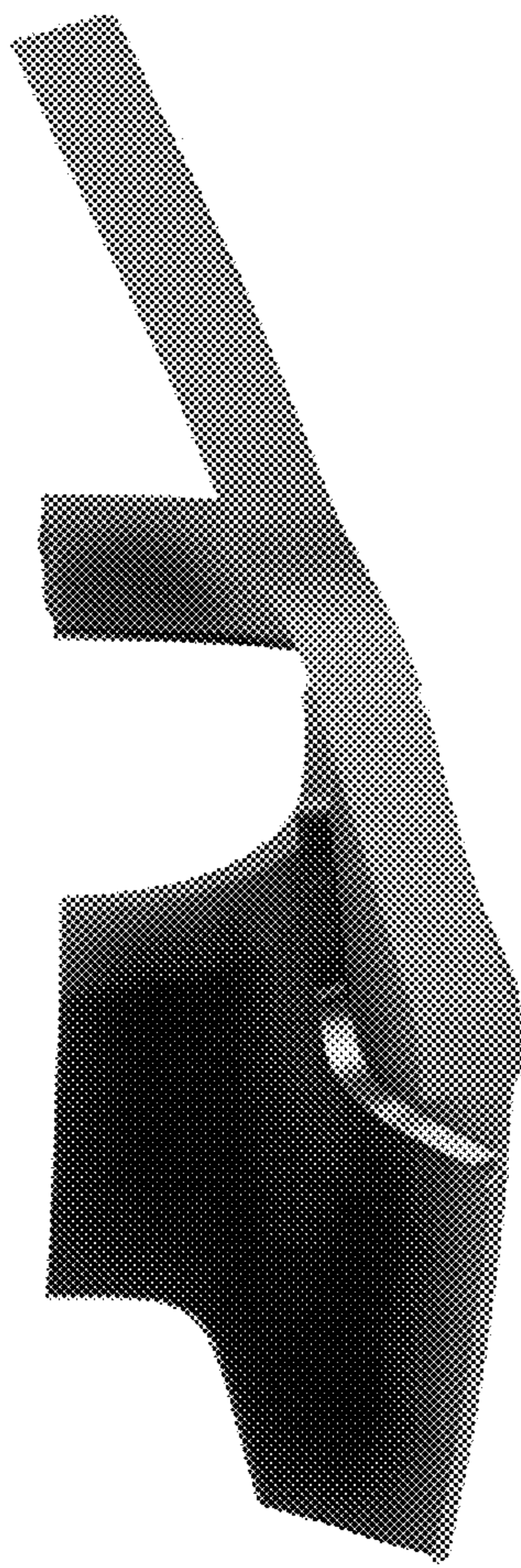


FIG. 3

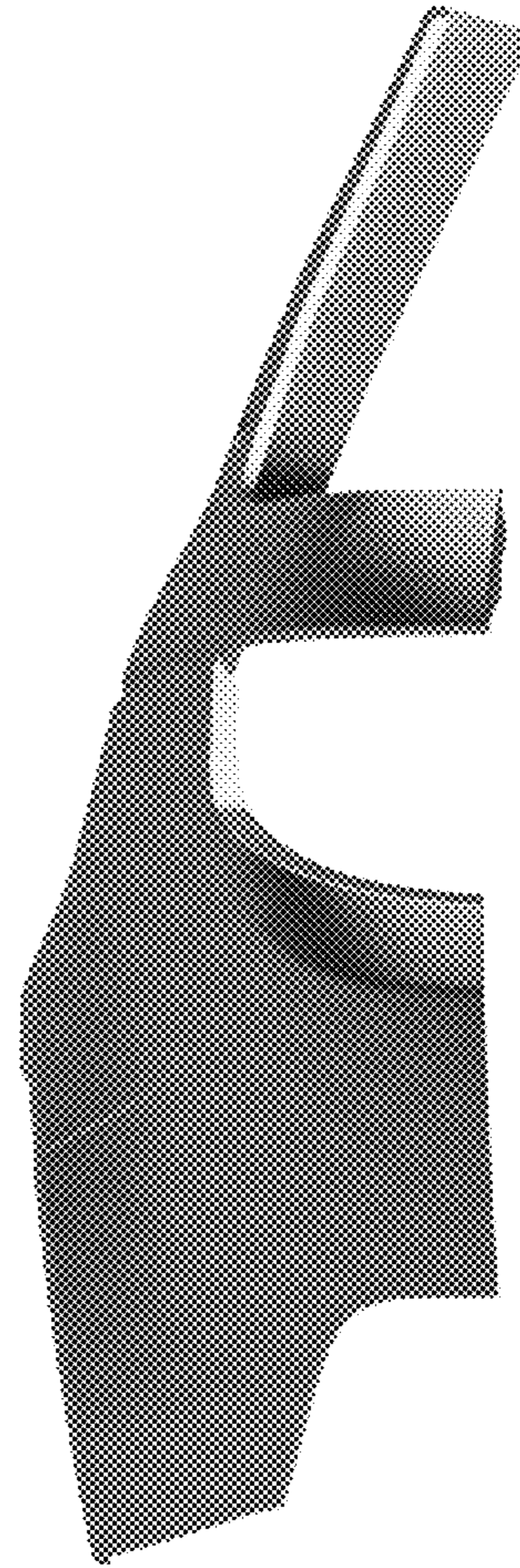


FIG. 4

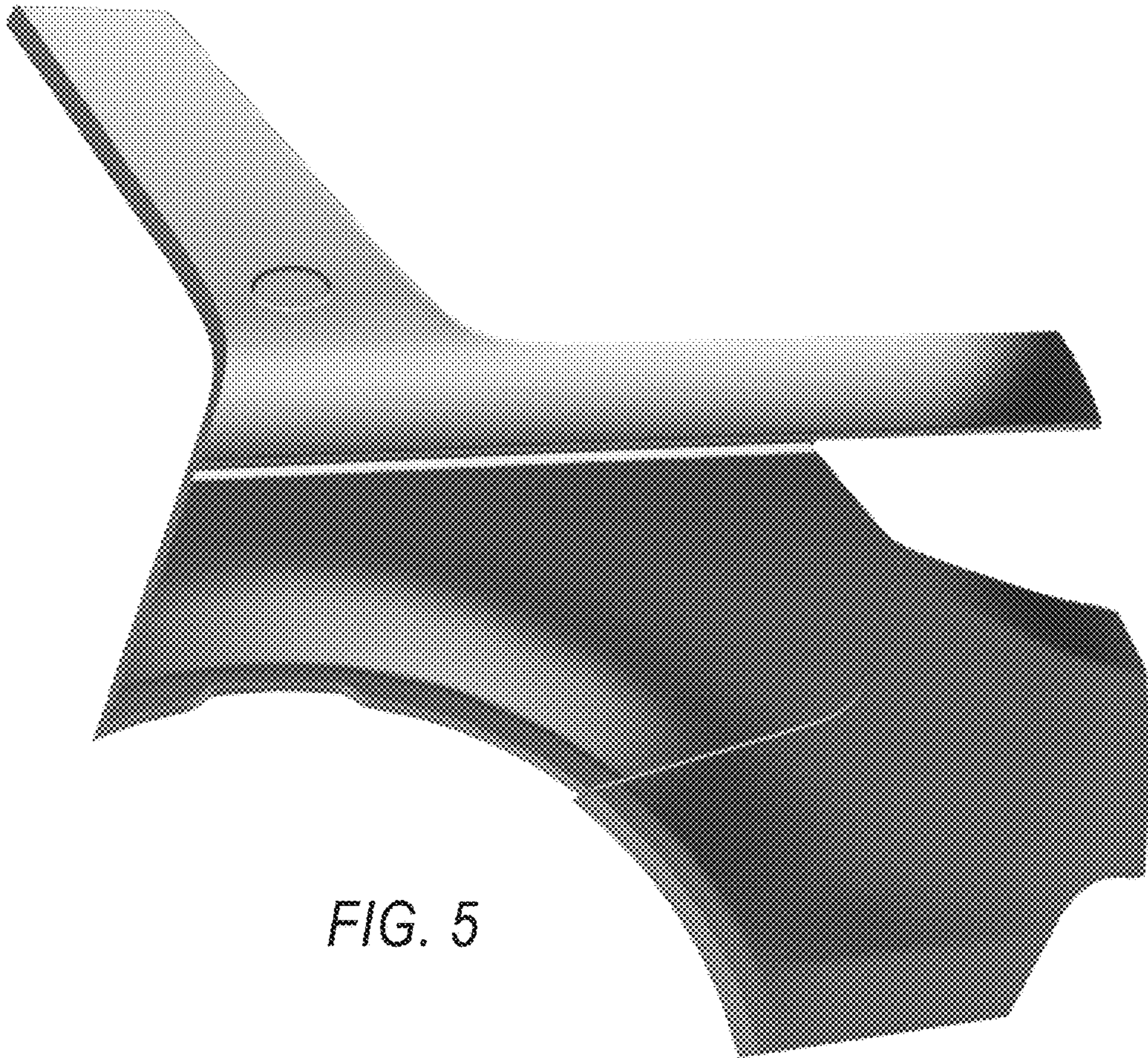


FIG. 5

