



US00D775033S

(12) **United States Design Patent**
Wang

(10) **Patent No.:** **US D775,033 S**

(45) **Date of Patent:** **** Dec. 27, 2016**

(54) **VEHICLE MIRROR**

(71) Applicant: **JIA DEPO IND. CO., LTD.**, Changhua County (TW)

(72) Inventor: **Hugo Wang**, Changhua (TW)

(73) Assignee: **JIA DEPO IND. CO., LTD.**, Changhua County (TW)

(**) Term: **15 Years**

(21) Appl. No.: **29/533,048**

(22) Filed: **Jul. 14, 2015**

(51) **LOC (10) Cl.** **12-16**

(52) **U.S. Cl.**
USPC **D12/190**

(58) **Field of Classification Search**

USPC D12/187, 188, 189, 190; D6/300, 309
CPC B60R 1/06; B60R 1/076; B60R 1/1078;
B60R 1/074; B60R 1/082; B60R 1/081;
B60R 1/08

See application file for complete search history.

(56) **References Cited**

U.S. PATENT DOCUMENTS

6,276,805 B1 * 8/2001 Home B60R 1/06
248/476
D575,708 S * 8/2008 Courbon D12/187

D578,942 S * 10/2008 Courbon D12/187
D581,334 S * 11/2008 Courbon D12/187
D597,007 S * 7/2009 Ferman D12/187
D610,060 S * 2/2010 Meier D12/187
D610,513 S * 2/2010 Meier D12/187
D699,653 S * 2/2014 Markstaller D12/187
D702,610 S * 4/2014 Hall D12/187
D731,377 S * 6/2015 Roberts D12/187
D748,546 S * 2/2016 Whitehead D12/187

* cited by examiner

Primary Examiner — Phillip S Hyder

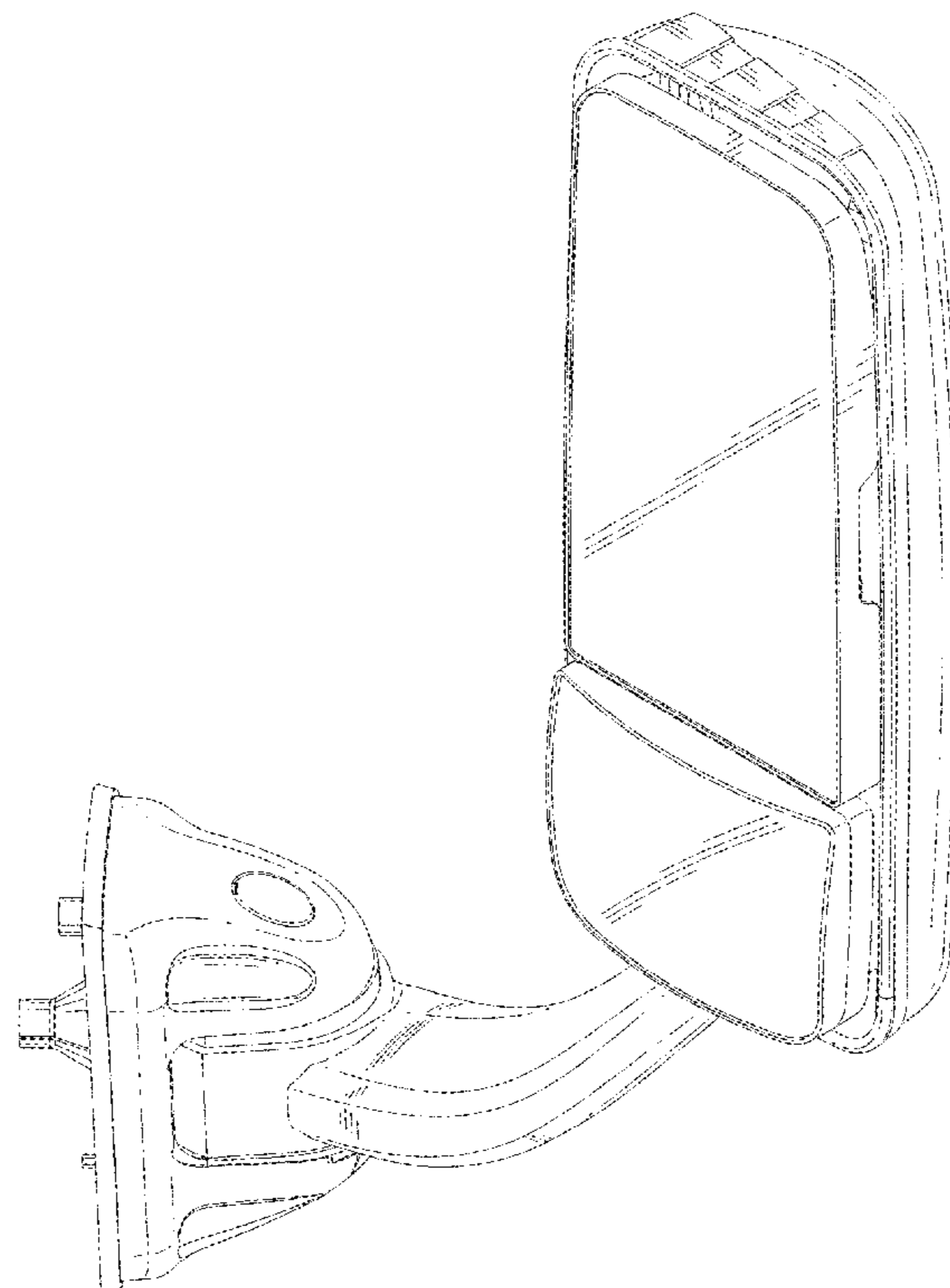
(57) **CLAIM**

The ornamental design for a vehicle mirror, as shown and described.

DESCRIPTION

FIG. 1 is a perspective view of a vehicle mirror showing my new design;
FIG. 2 is a front elevation view thereof;
FIG. 3 is a rear elevation view thereof;
FIG. 4 is a left side elevation view thereof;
FIG. 5 is a right side elevation view thereof;
FIG. 6 is a top plan view thereof; and,
FIG. 7 is bottom plan view thereof.

1 Claim, 7 Drawing Sheets



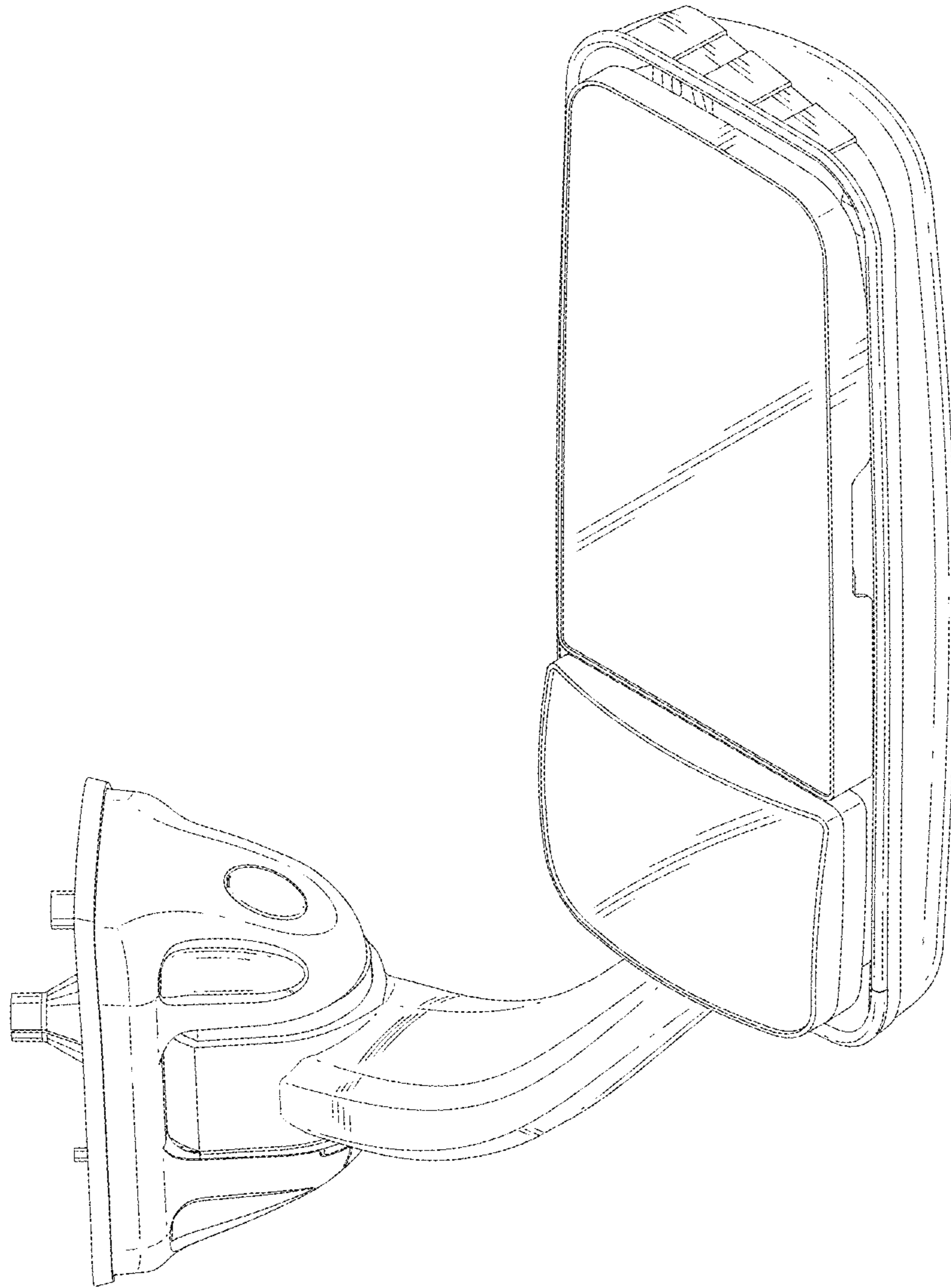


FIG. 1

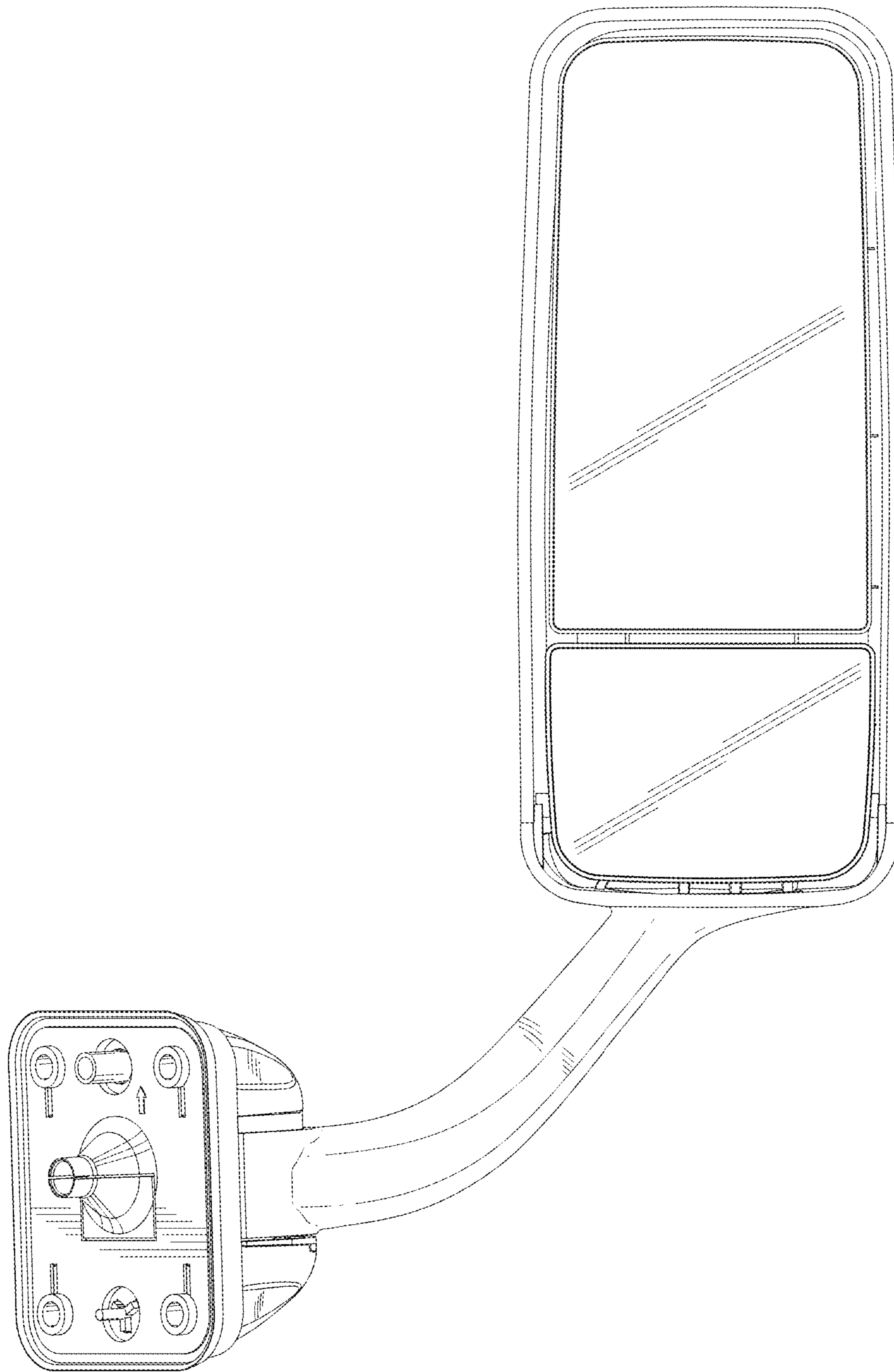


FIG. 2

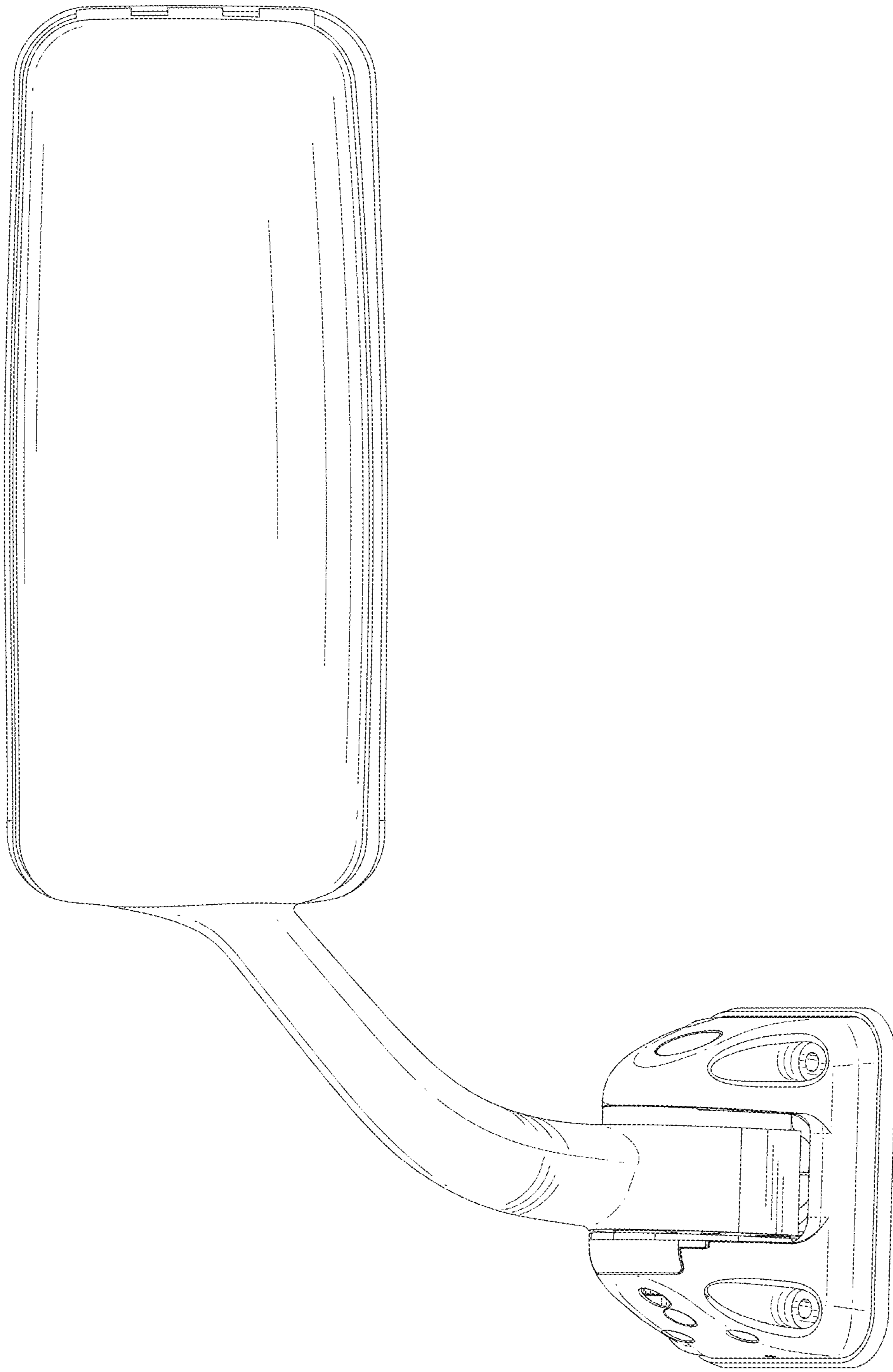


FIG. 3

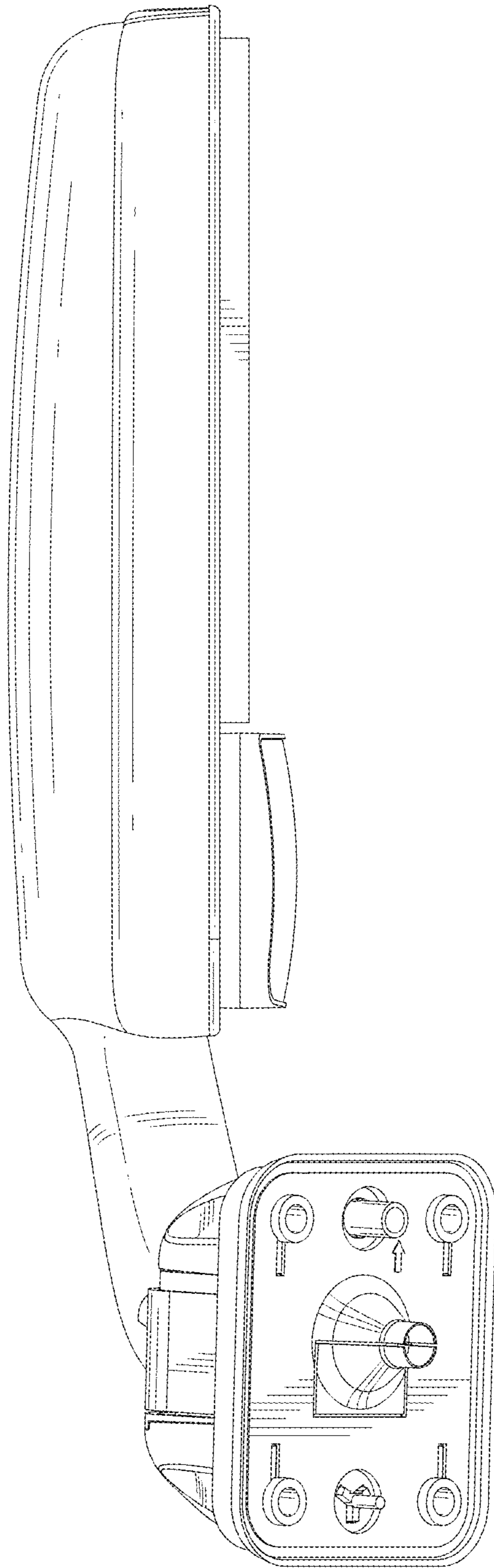


FIG. 4

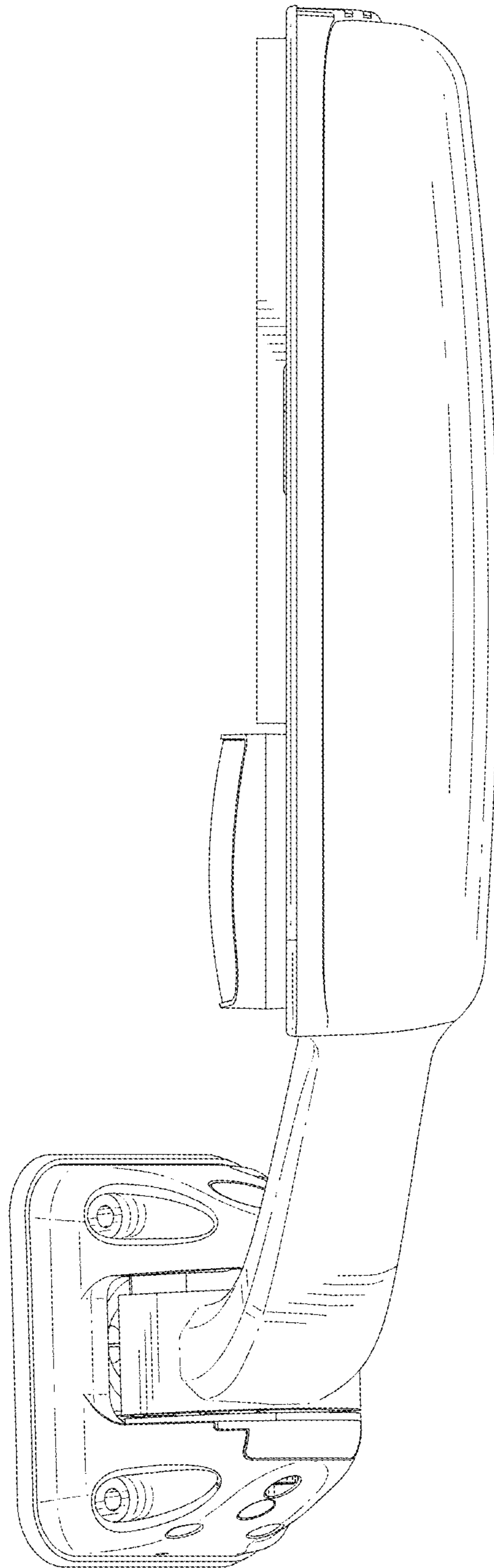


FIG. 5

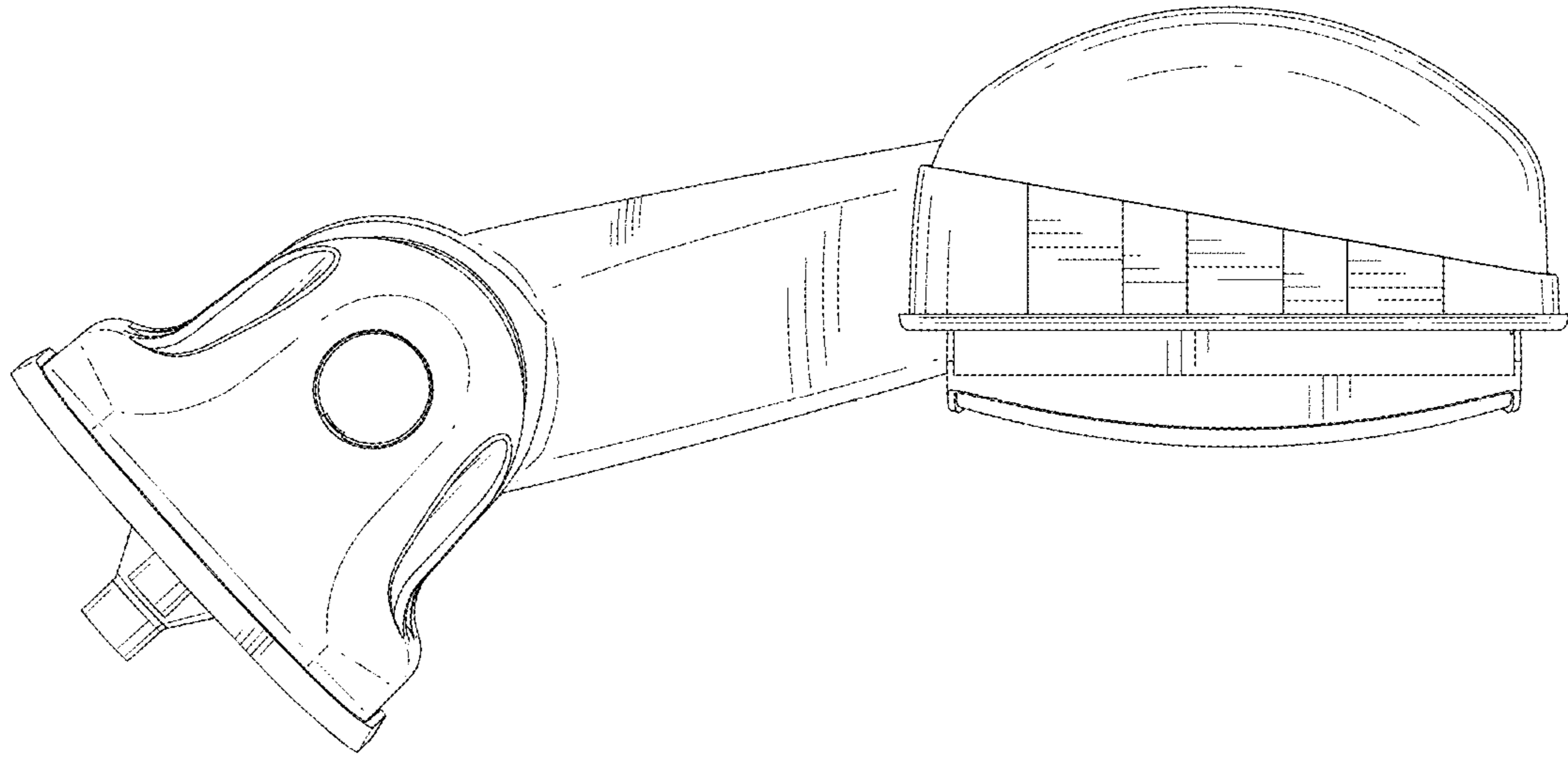


FIG. 6

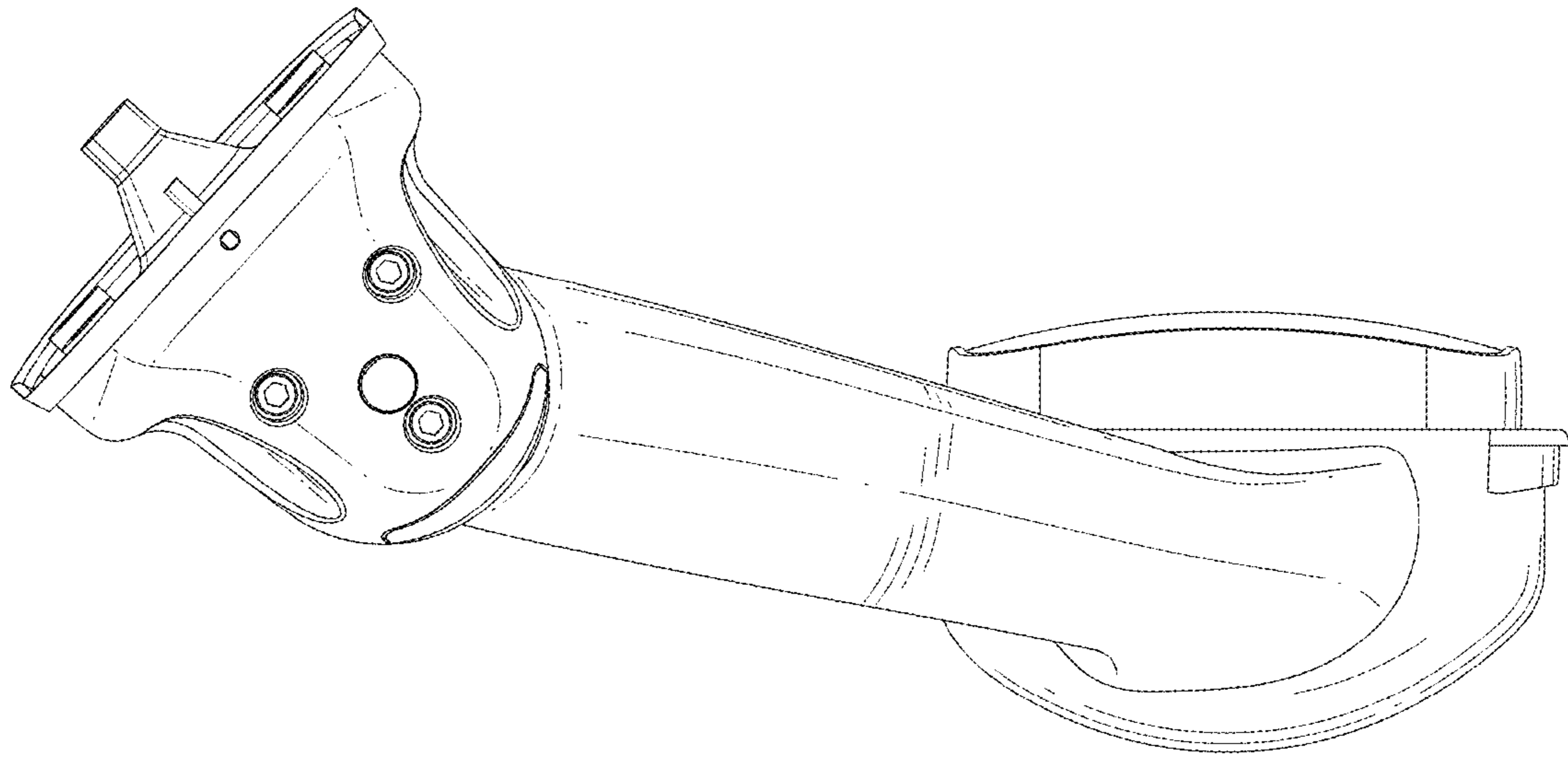


FIG. 7