



US00D775032S

(12) **United States Design Patent**
Palmer et al.

(10) **Patent No.:** **US D775,032 S**

(45) **Date of Patent:** **** Dec. 27, 2016**

(54) **VEHICLE TRIM PACKAGE**
(71) Applicant: **Jankel Tactical Systems, LLC**
(72) Inventors: **Lee Palmer**, Weybridge (GB); **Andrew Pateman**, Weybridge (GB); **Christopher B. Delcalzo**, Spartanburg, SC (US); **Matthew Paul Gleason**, Williamstown, SC (US)

7,090,267 B2 * 8/2006 Pendarvis B60R 19/24
293/133
D535,585 S * 1/2007 Moushegian D12/91
D565,466 S * 4/2008 Moushegian D12/91
D573,507 S * 7/2008 Moushegian D12/91
7,537,227 B1 * 5/2009 Polka B60R 3/007
280/163
7,819,469 B2 10/2010 Stevens
D638,333 S * 5/2011 Freeman D12/412

(Continued)

(73) Assignee: **Jankel Tactical Systems, LLC**,
Duncan, SC (US)

Primary Examiner — Darlington Ly

(74) *Attorney, Agent, or Firm* — Faegre Baker Daniels
LLP

(**) Term: **14 Years**

(57) **CLAIM**

(21) Appl. No.: **29/503,526**

The ornamental design for a vehicle trim package, as shown and described.

(22) Filed: **Sep. 26, 2014**

(51) **LOC (10) Cl.** **12-08**

(52) **U.S. Cl.**

USPC **D12/190**; D12/86

(58) **Field of Classification Search**

USPC D12/14–16, 86, 91, 107, 190; 280/163;
296/181.1, 185

CPC F41H 7/044; B60R 3/007; B60R 19/24

See application file for complete search history.

DESCRIPTION

FIG. 1 is a front perspective view of a vehicle trim package according to a first embodiment of our new design;

FIG. 2 is a rear perspective view thereof;

FIG. 3 is a front view thereof;

FIG. 4 is a rear view thereof;

FIG. 5 is a right side view thereof;

FIG. 6 is a left side view thereof; and

FIG. 7 is a top view thereof.

FIG. 8 is a front perspective view of a vehicle trim package according to a second embodiment of our new design;

FIG. 9 is a rear perspective view thereof;

FIG. 10 is a front view thereof;

FIG. 11 is a rear view thereof;

FIG. 12 is a right side view thereof;

FIG. 13 is a left side view thereof; and,

FIG. 14 is a top view thereof.

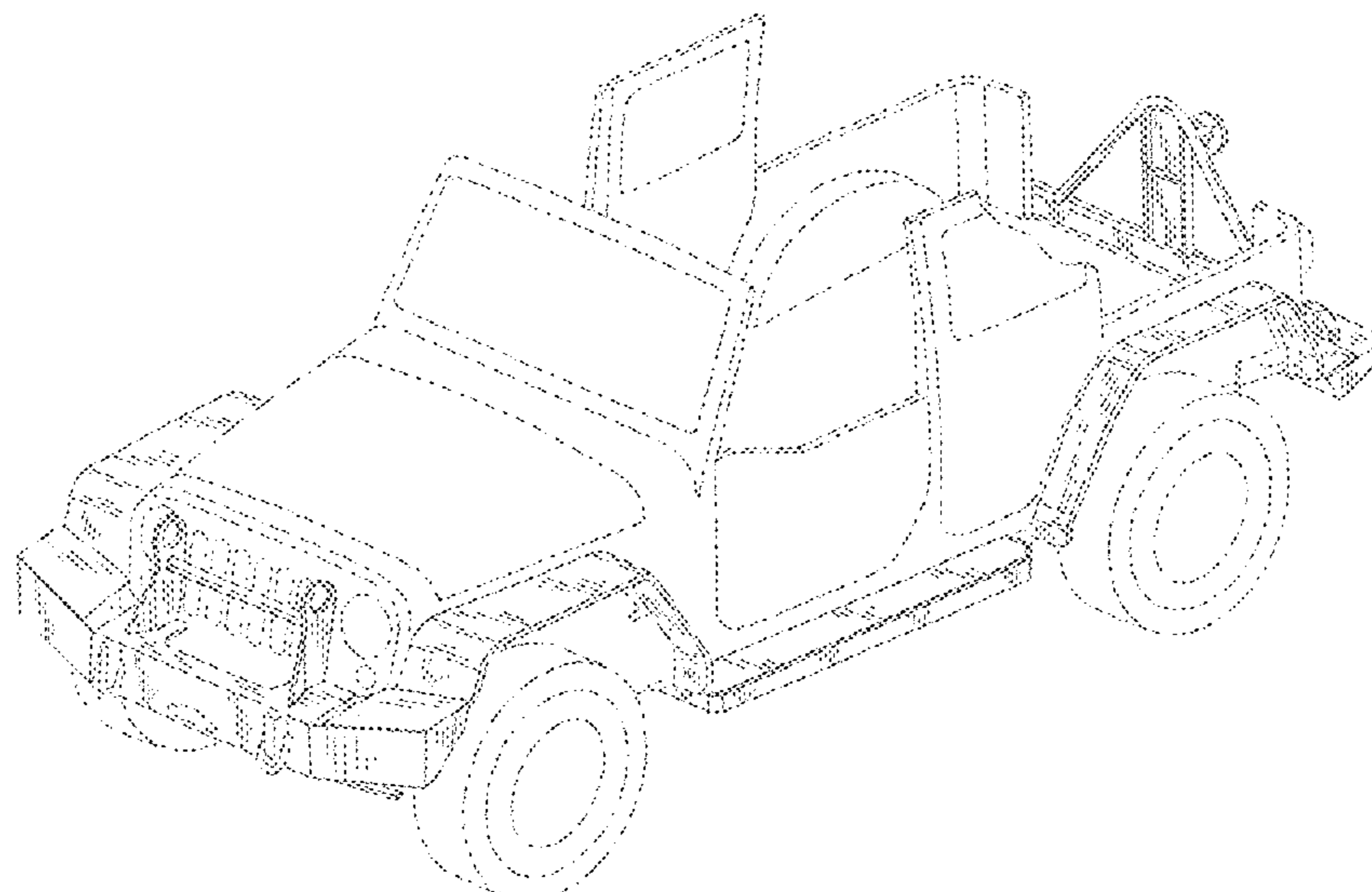
The broken lines showing a vehicle are provided for the purposes of illustrating environmental structure that forms no part of the claimed design.

(56) **References Cited**

U.S. PATENT DOCUMENTS

1,290,958 A * 1/1919 Foster B62D 21/02
280/163
D262,201 S * 12/1981 Bowman D12/184
D289,891 S * 5/1987 Bielby D12/190
D329,632 S * 9/1992 Masters D12/190
D393,609 S * 4/1998 Kanthak D12/91
D415,718 S * 10/1999 Aghaci D12/91
D451,050 S * 11/2001 Cerny, Jr. D12/107
D451,870 S * 12/2001 Hurayt D12/190
D462,300 S * 9/2002 Cerny, Jr. D12/86
D464,913 S * 10/2002 Cerny, Jr. D12/86
D508,441 S * 8/2005 Moushegian D12/86

1 Claim, 12 Drawing Sheets



(56)

References Cited

U.S. PATENT DOCUMENTS

D647,002 S	10/2011	Mullen	
D649,908 S	12/2011	Mullen	
D649,909 S *	12/2011	Mullen D12/86
D649,910 S	12/2011	Mullen	
8,182,044 B2	5/2012	Mullen	
8,205,933 B2 *	6/2012	Boczek F41H 7/044 296/181.1
D703,101 S *	4/2014	deNatale D12/86

* cited by examiner

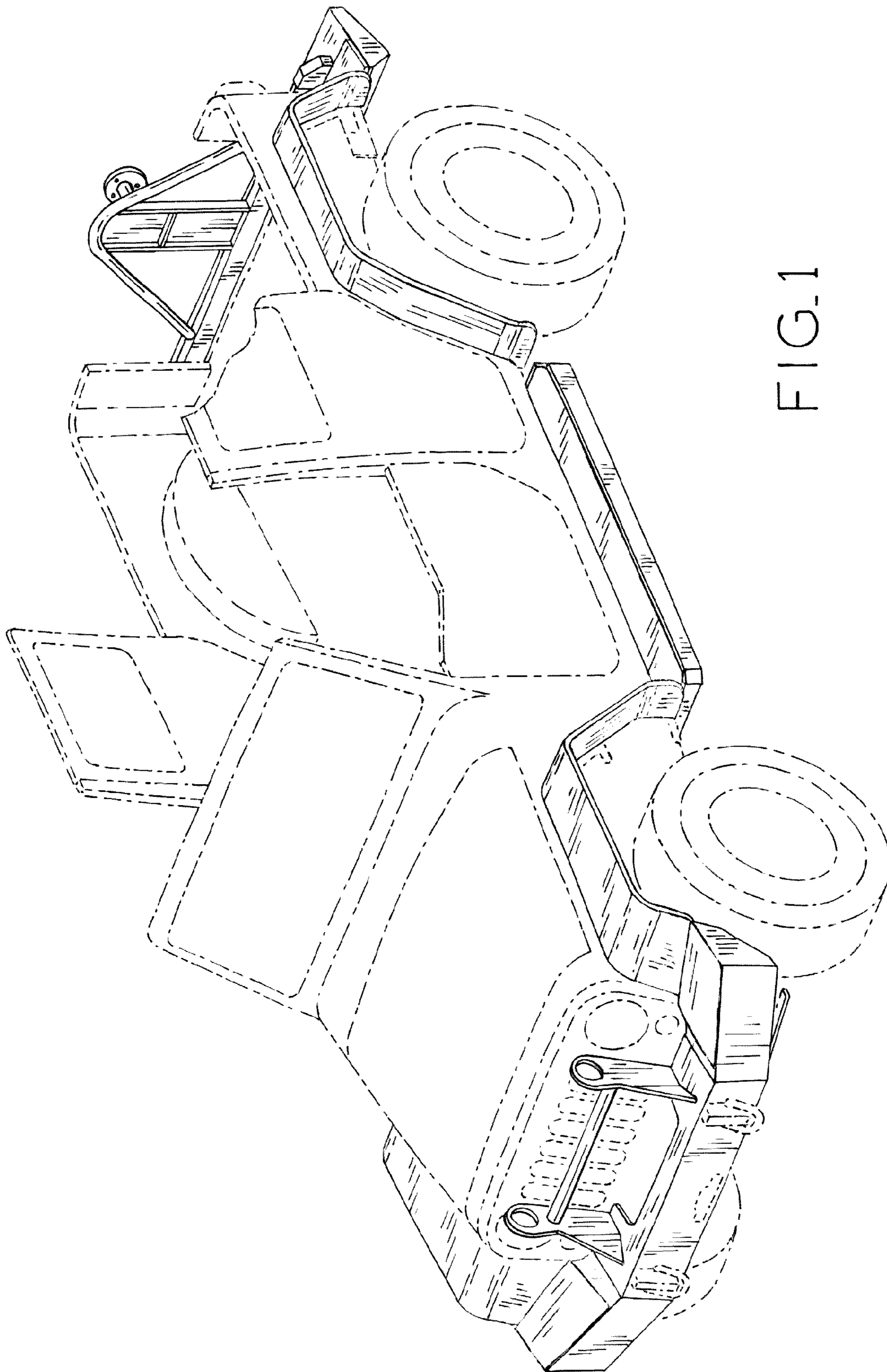


FIG. 1

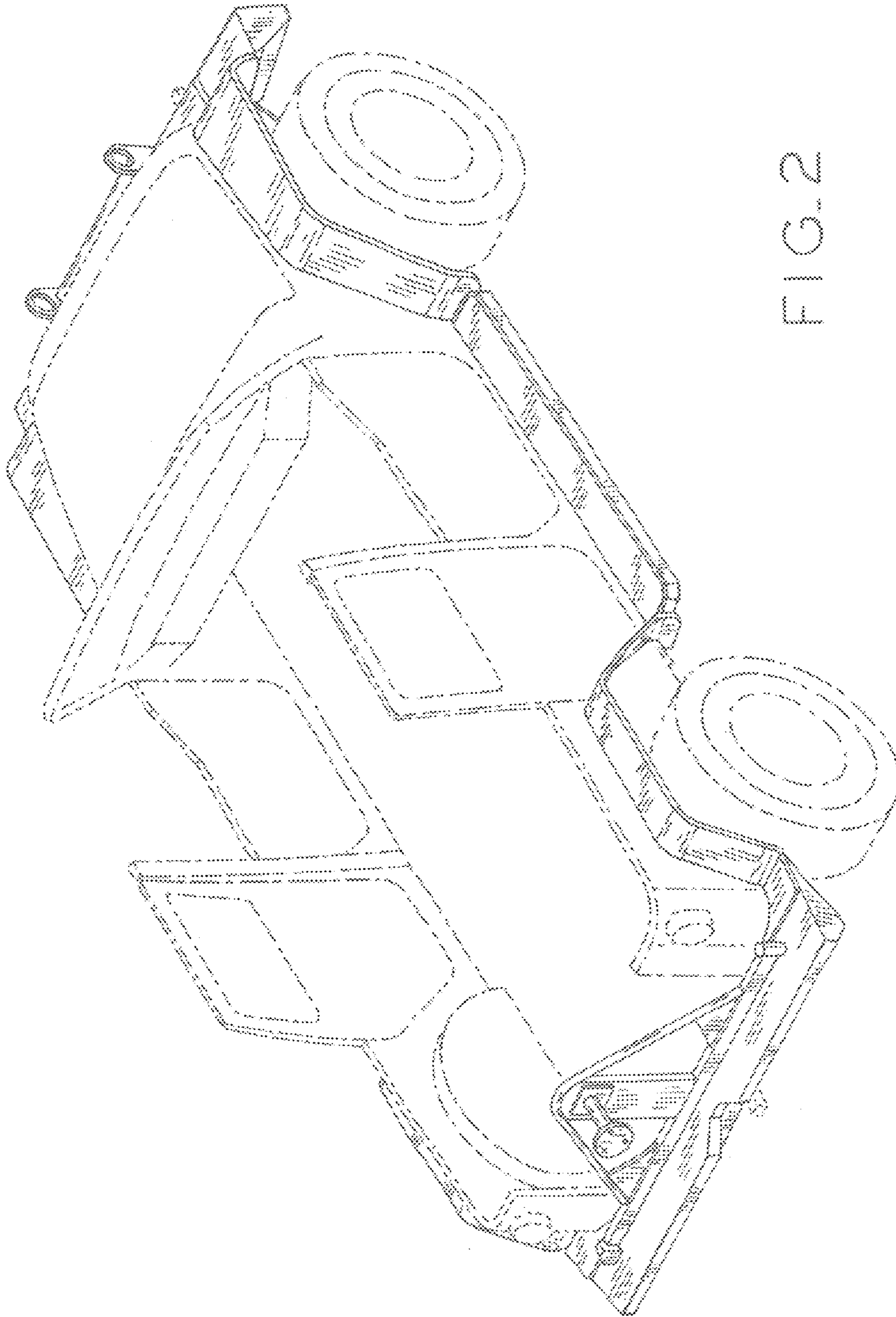


FIG. 2

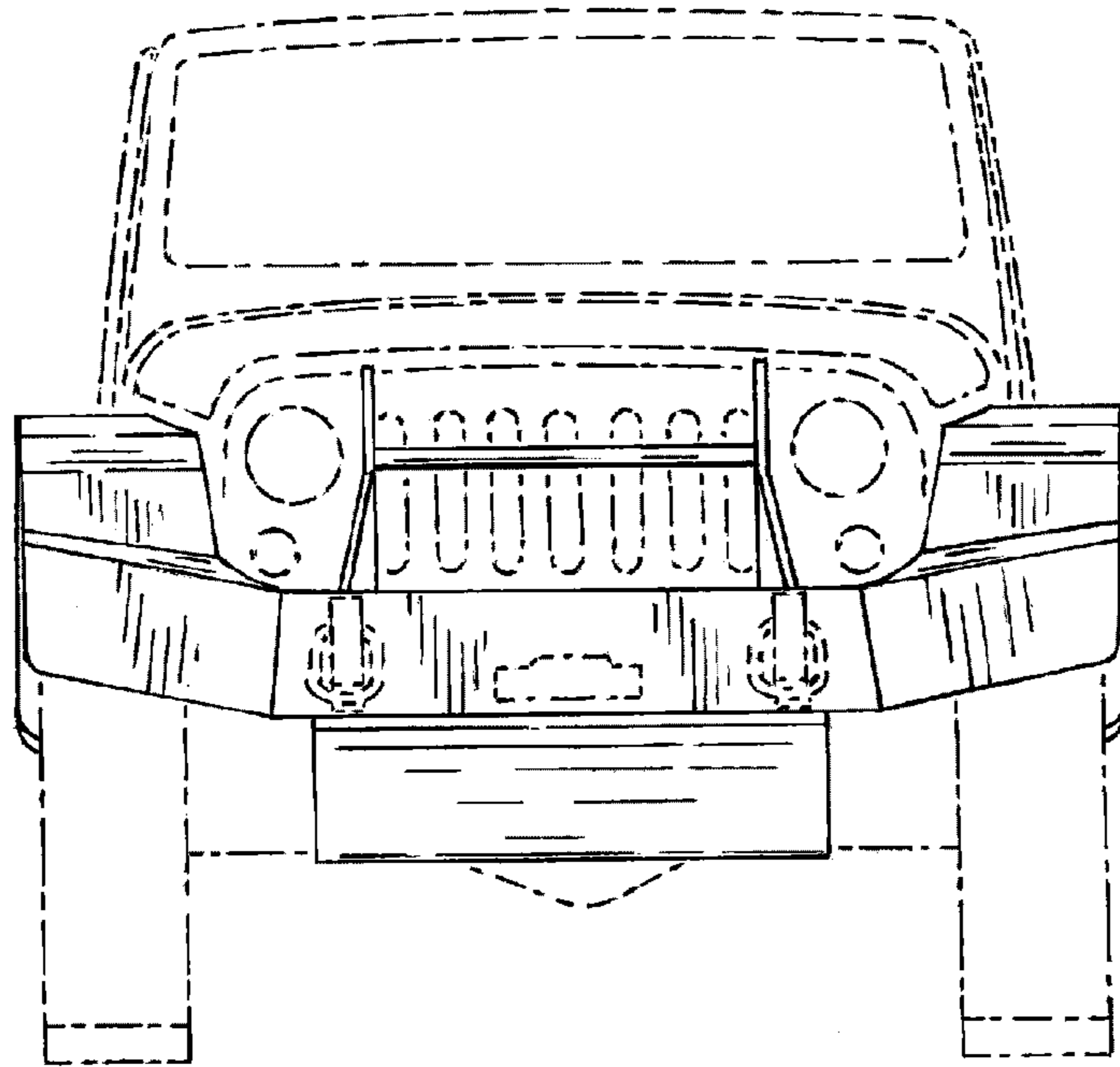


FIG. 3

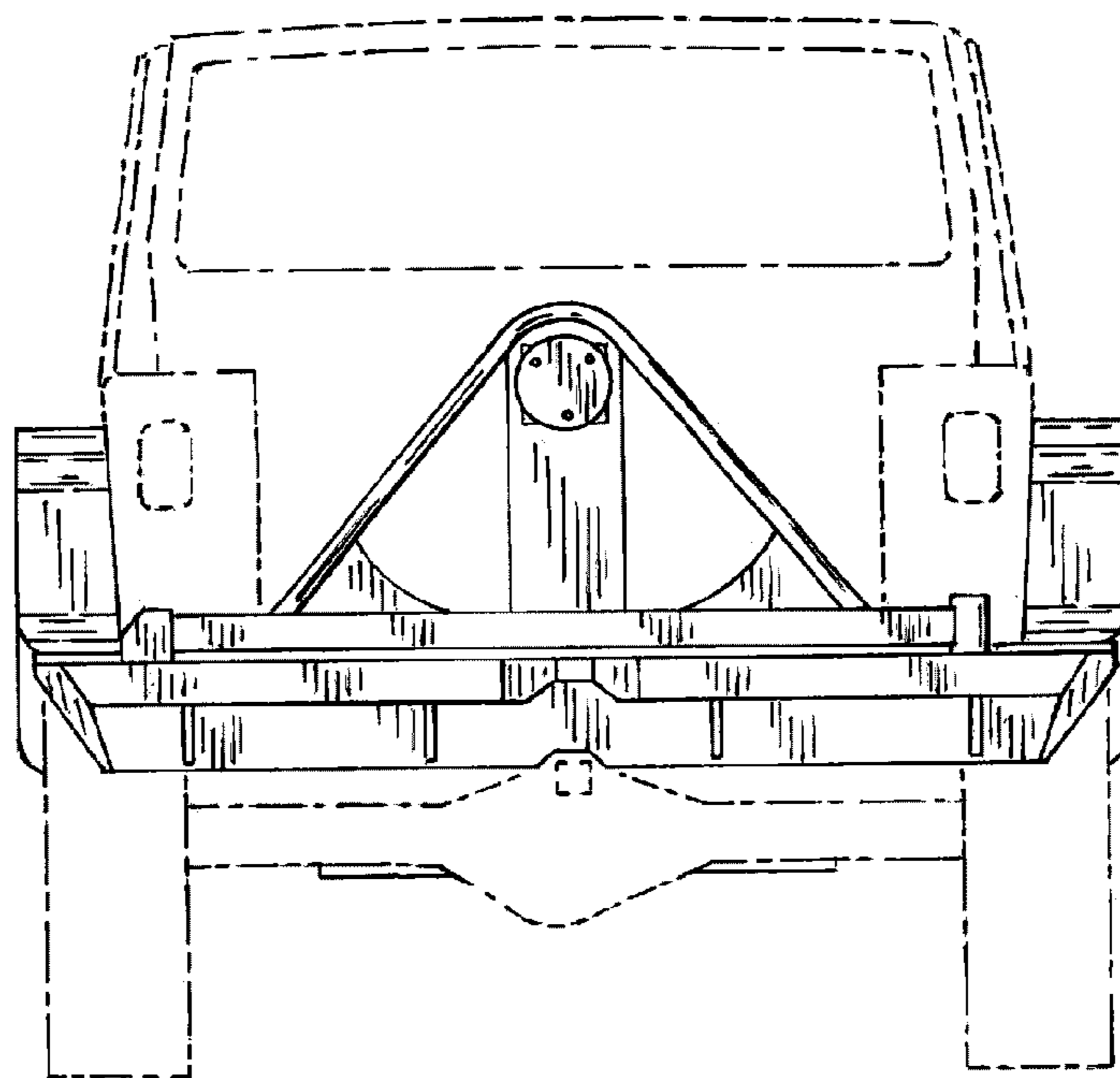


FIG. 4

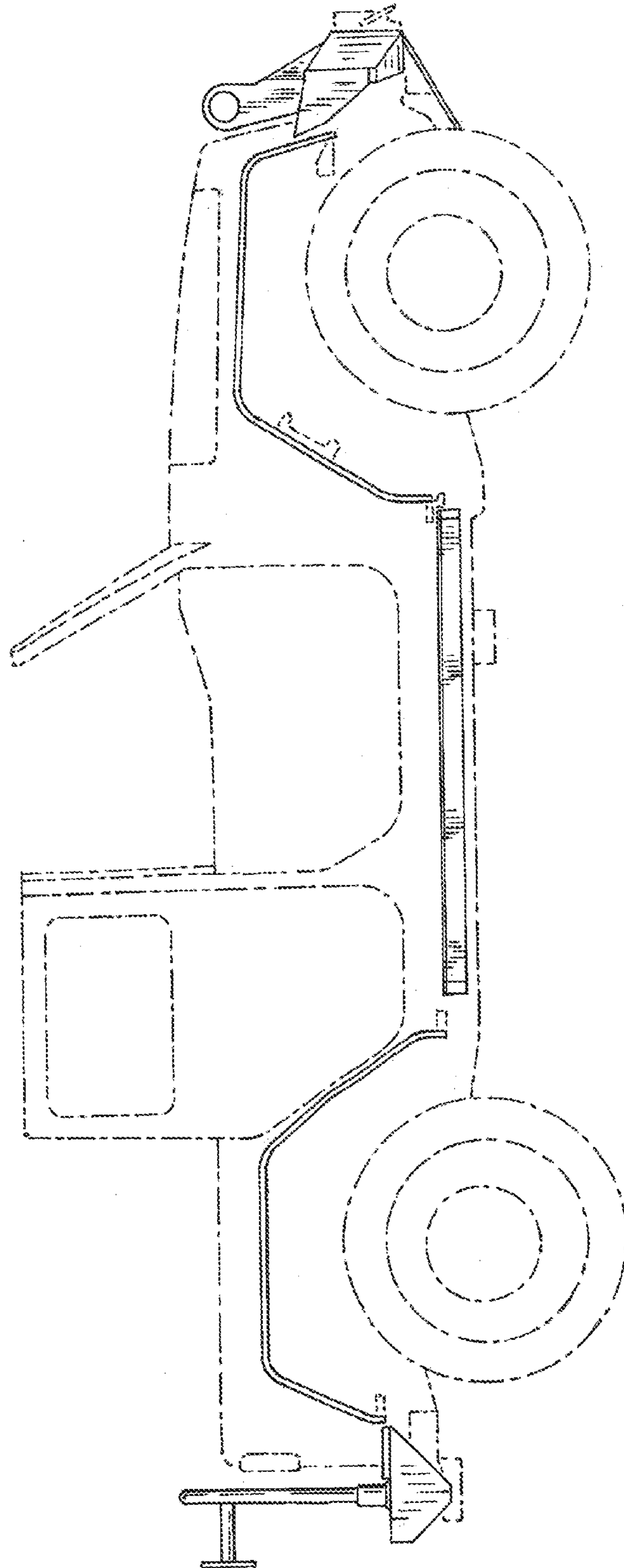


FIG. 5

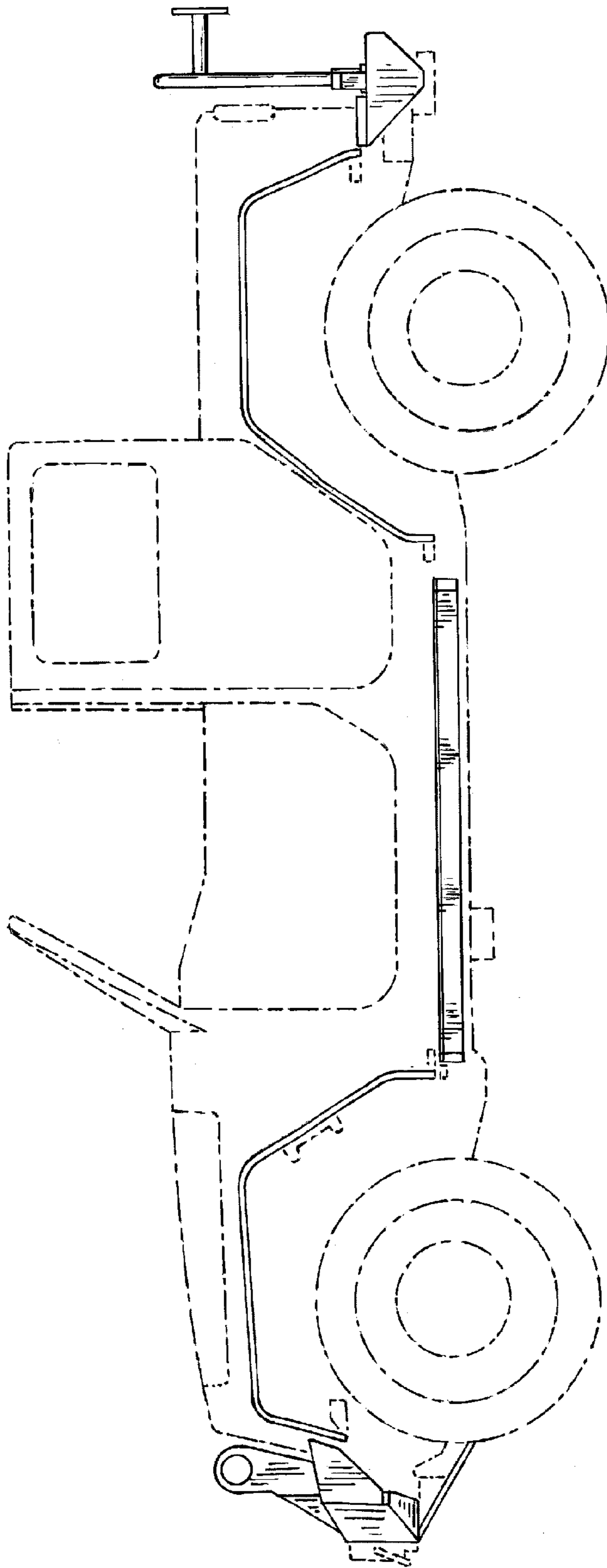


FIG. 6

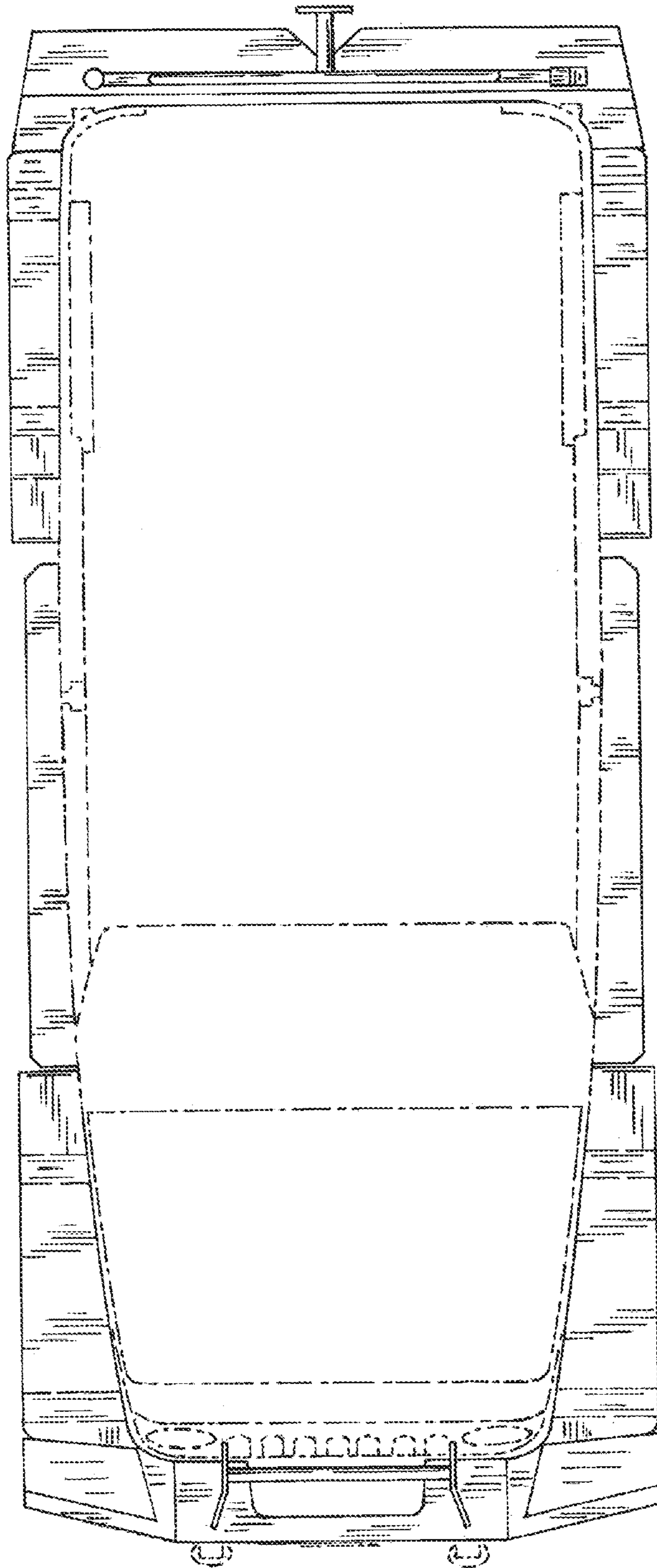


FIG. 7

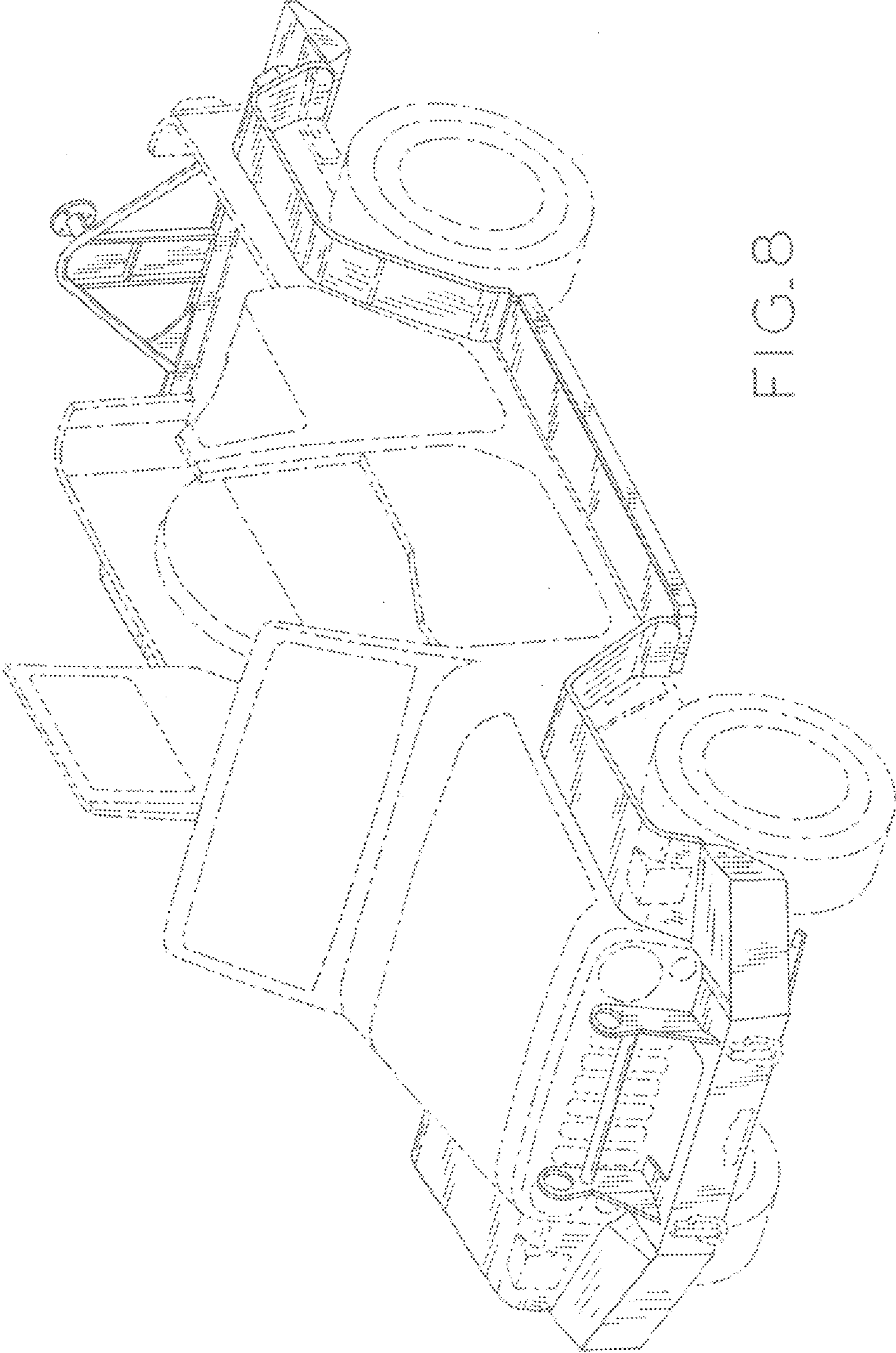


FIG. 8

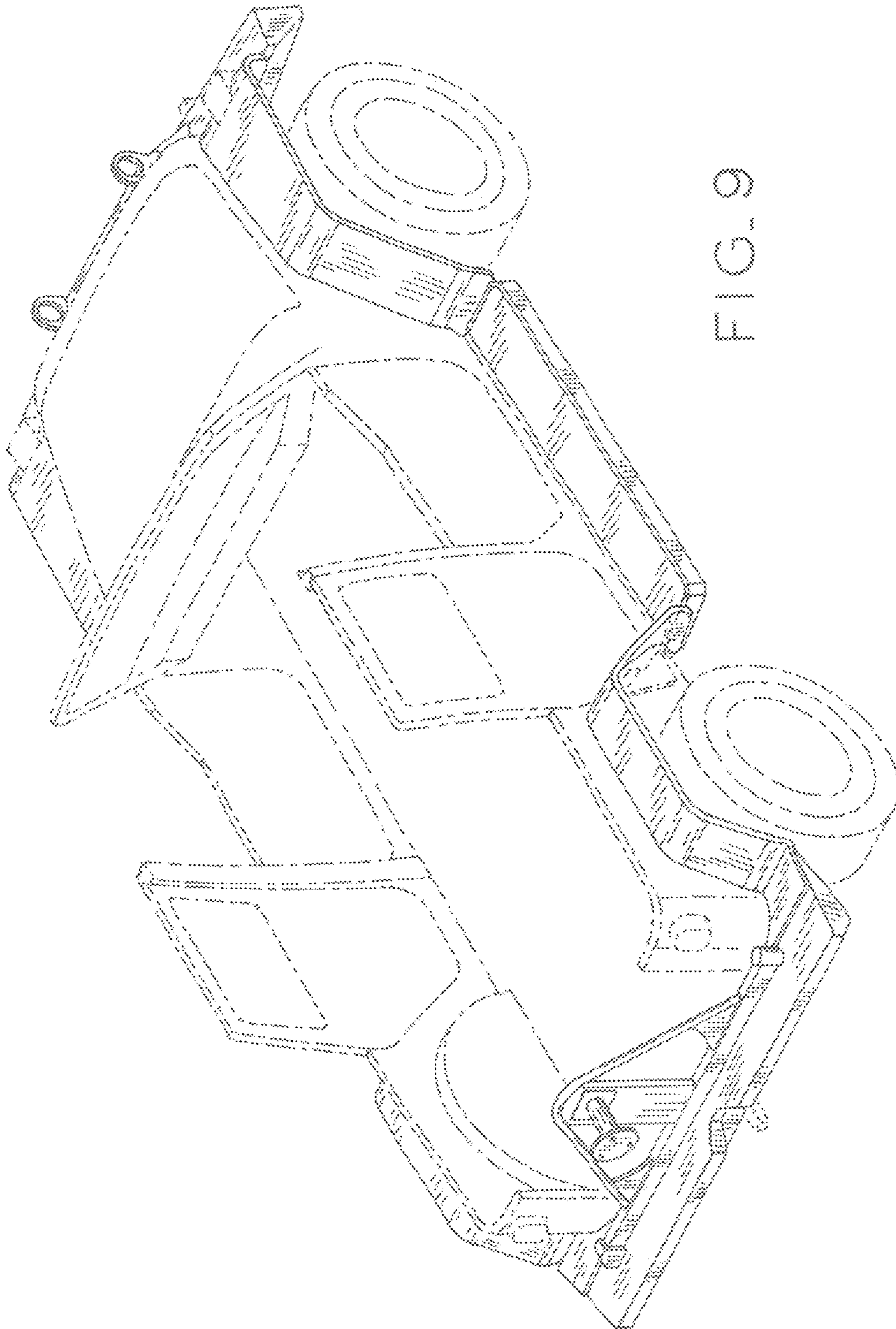


FIG. 9

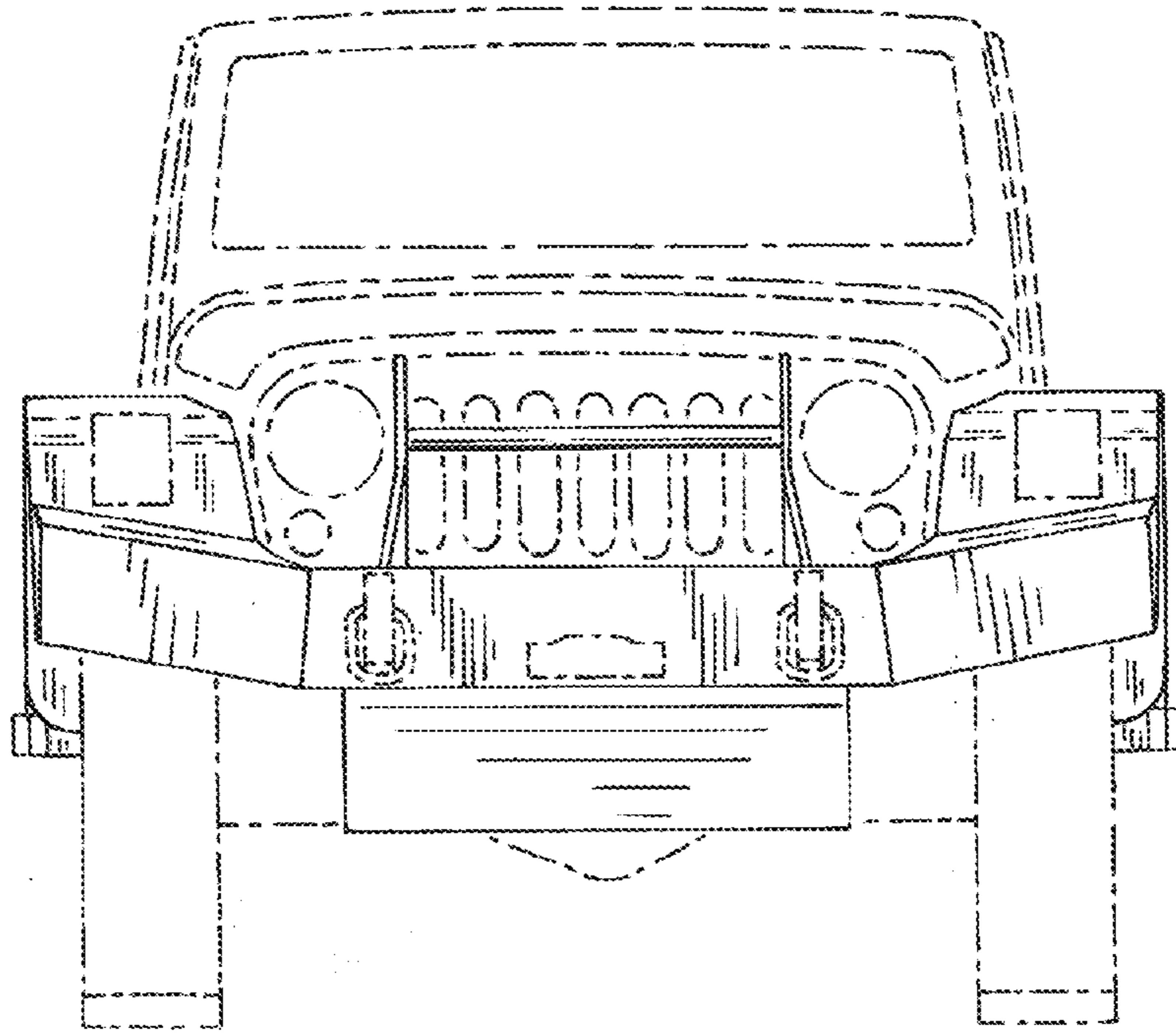


FIG. 10

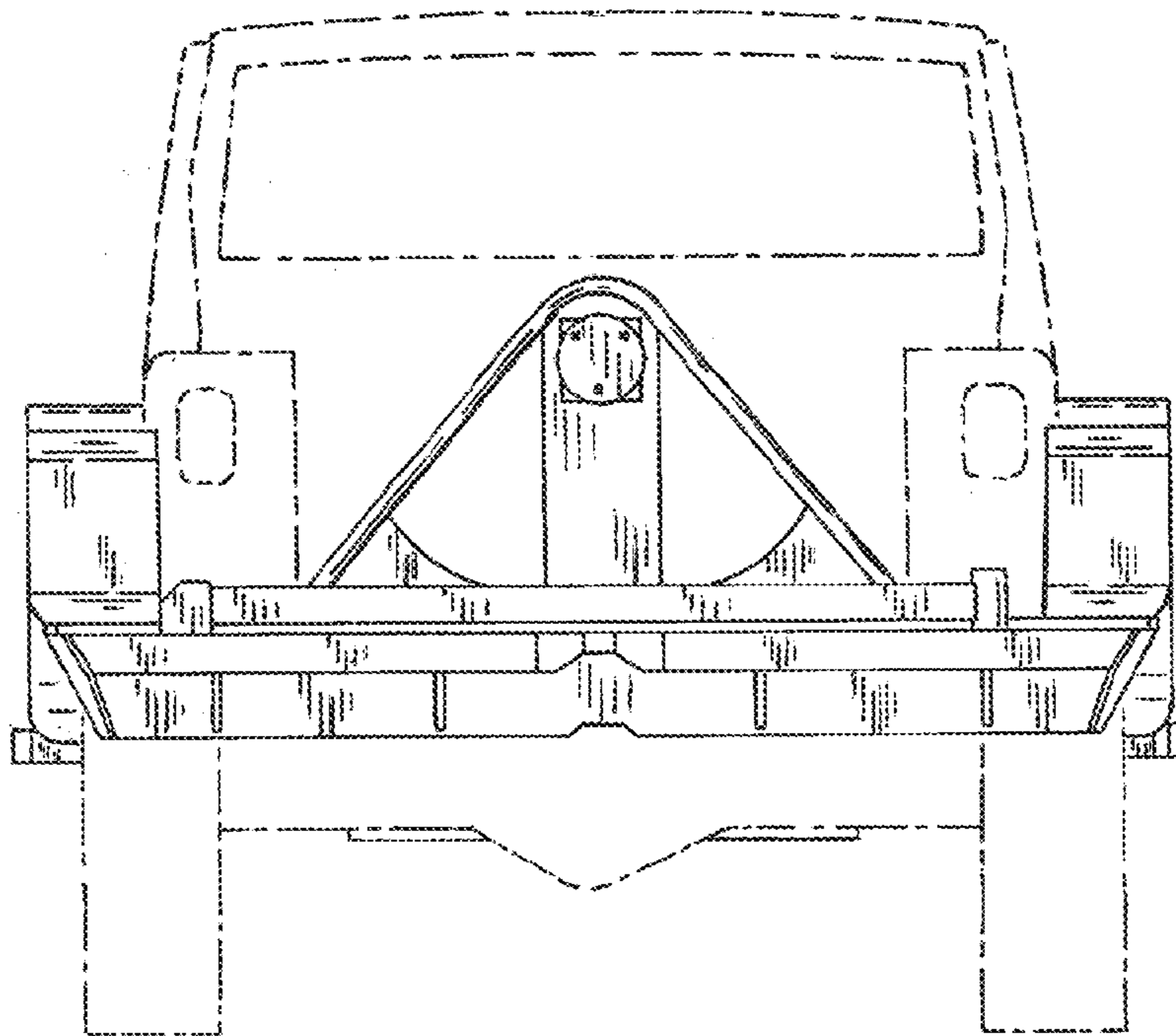


FIG. 11

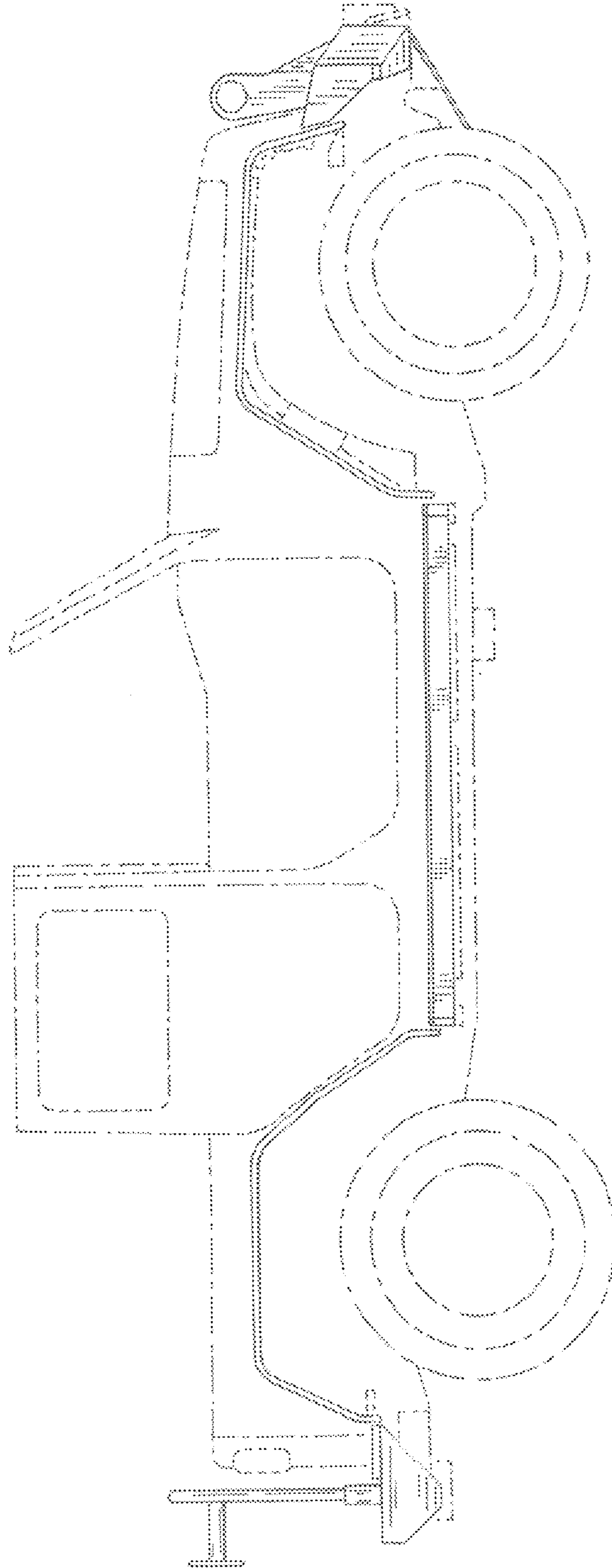


FIG.12

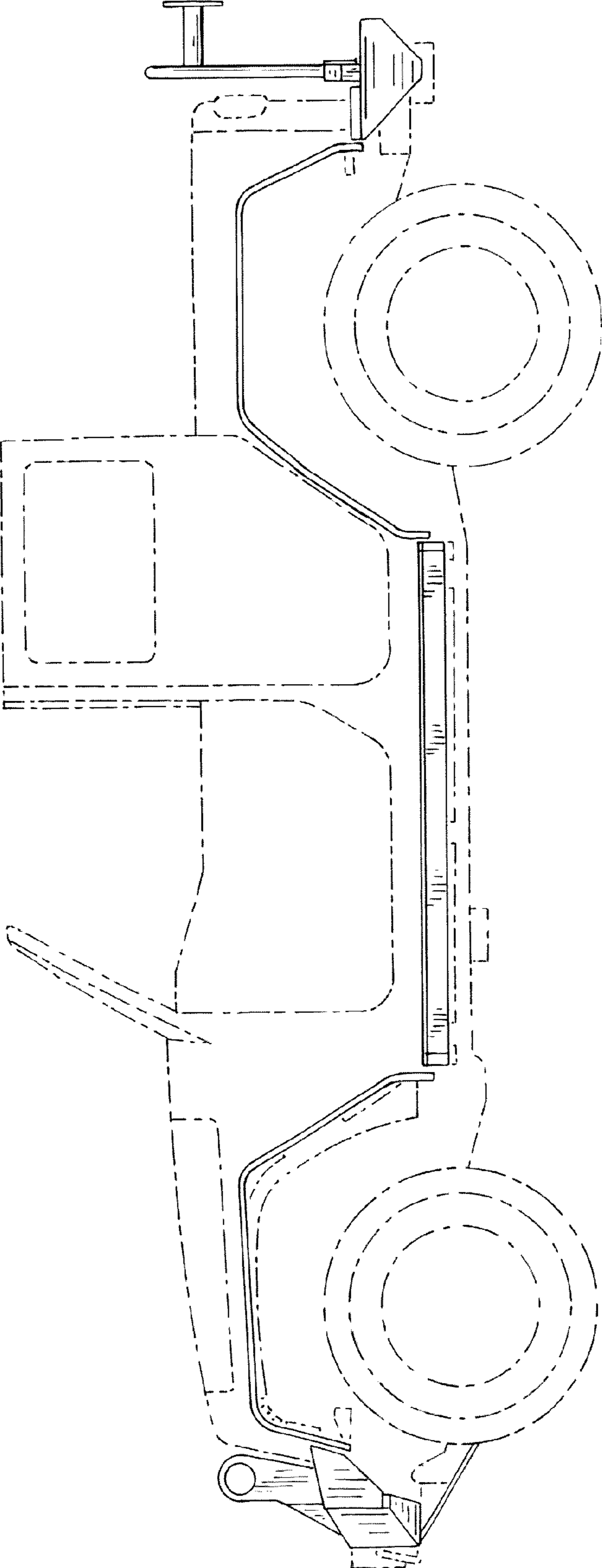


FIG.13

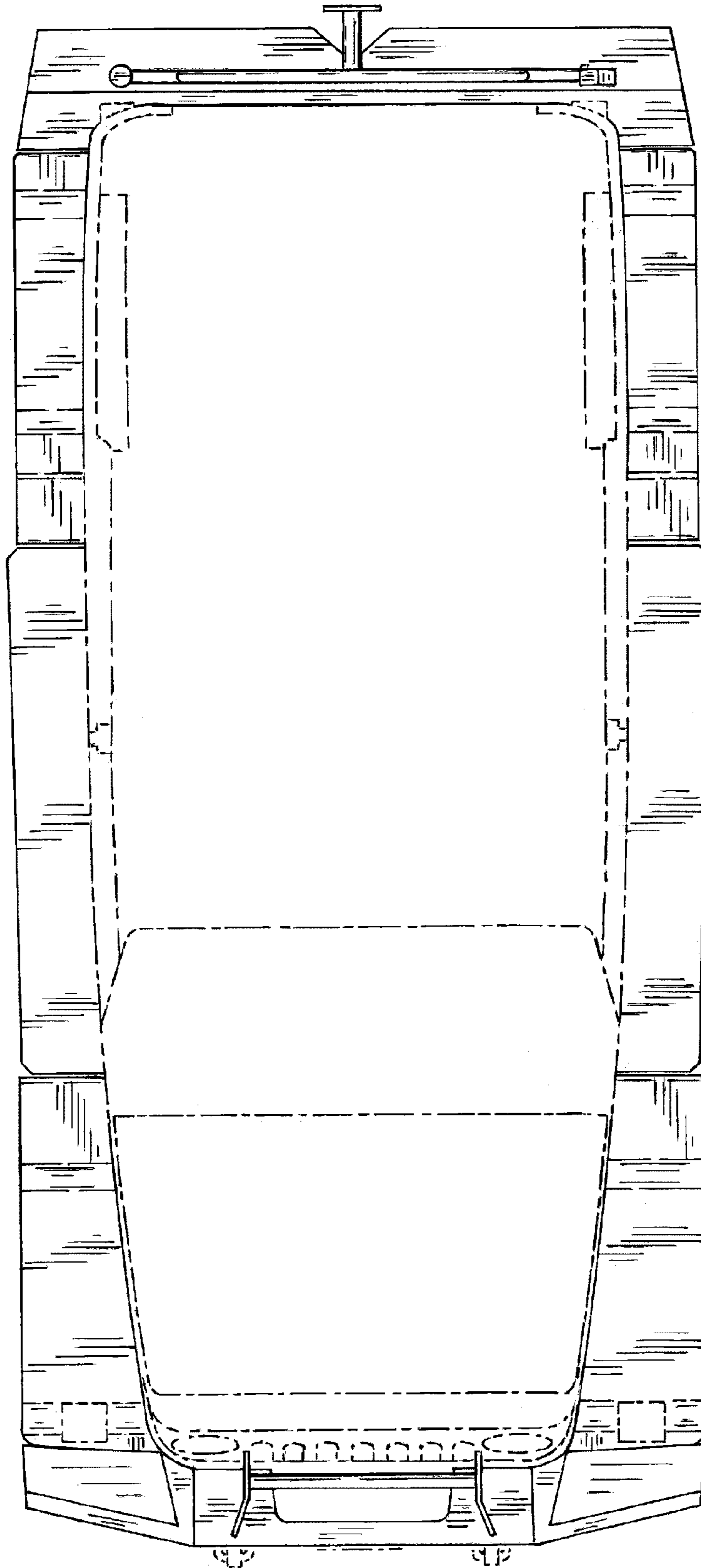


FIG.14