

US00D775029S

(12) **United States Design Patent** (10) **Patent No.:** **US D775,029 S**
Frykholm (45) **Date of Patent:** **** Dec. 27, 2016**

(54) **WINDSHIELD**
(71) Applicant: **Volvo Bussar AB**, Göteborg (SE)
(72) Inventor: **Dan Frykholm**, Göteborg (SE)
(73) Assignee: **VOLVO BUSSAR AB**, Göteborg (SE)
(**) Term: **15 Years**
(21) Appl. No.: **29/532,797**
(22) Filed: **Jul. 10, 2015**
(30) **Foreign Application Priority Data**
Jan. 29, 2015 (EM) 002623058-0001
(51) **LOC (10) Cl.** **12-08**
(52) **U.S. Cl.**
USPC **D12/182**
(58) **Field of Classification Search**
USPC D12/84, 90, 91, 164, 182, 86,
88,D12/401-404; D21/424, 433; 296/84.1,
90, 296/146.15, 178; 280/770; 224/328;
180/370.23; 160/370.21, 370.22;
150/165-167; 135/88.01
CPC B60J 10/07; B60J 1/02; B32B 17/10036
See application file for complete search history.

(56) **References Cited**
U.S. PATENT DOCUMENTS
D442,888 S * 5/2001 Papke D12/84
6,241,304 B1 * 6/2001 Frost B60J 10/70
296/146.15
D459,764 S * 7/2002 Hoelzel D21/433
D465,177 S * 11/2002 Daurelle D12/84
D466,050 S * 11/2002 Forey D12/84
6,834,905 B2 * 12/2004 Okamoto B32B 17/10036
296/84.1

D503,126 S * 3/2005 Papke D12/84
D531,934 S * 11/2006 Nagura D12/90
D590,305 S * 4/2009 Pfeiffer D12/164
D603,307 S * 11/2009 Jung D12/164
D634,686 S * 3/2011 Matei D12/164
D651,132 S * 12/2011 Lambri D12/86
8,146,979 B2 * 4/2012 Renke B60J 10/70
296/201
D717,210 S * 11/2014 Wang D12/84
D718,659 S * 12/2014 Lin D12/84
8,910,992 B2 * 12/2014 Grech B60J 1/02
296/178
D721,298 S * 1/2015 Li D12/84
D724,999 S * 3/2015 Murray D12/90
D734,211 S * 7/2015 Ahn D12/86
9,126,469 B2 * 9/2015 Weicker B60J 1/02
2003/0227190 A1 * 12/2003 Okamoto B32B 17/10036
296/84.1
2015/0102625 A1 * 4/2015 Weicker B60J 1/02
296/90

* cited by examiner
Primary Examiner — Rosemary K Tarcza
Assistant Examiner — Yolanda Robinson
(74) *Attorney, Agent, or Firm* — Tucker Ellis LLP

(57) **CLAIM**
The ornamental design for a windshield, as shown and described.

DESCRIPTION

FIG. 1 is a perspective view of a windshield showing my new design.
FIG. 2 is a front view thereof.
FIG. 3 is a rear view thereof.
FIG. 4 is a right side view thereof.
FIG. 5 is a left side view thereof.
FIG. 6 is a top view thereof; and,
FIG. 7 is a bottom view thereof.

1 Claim, 5 Drawing Sheets

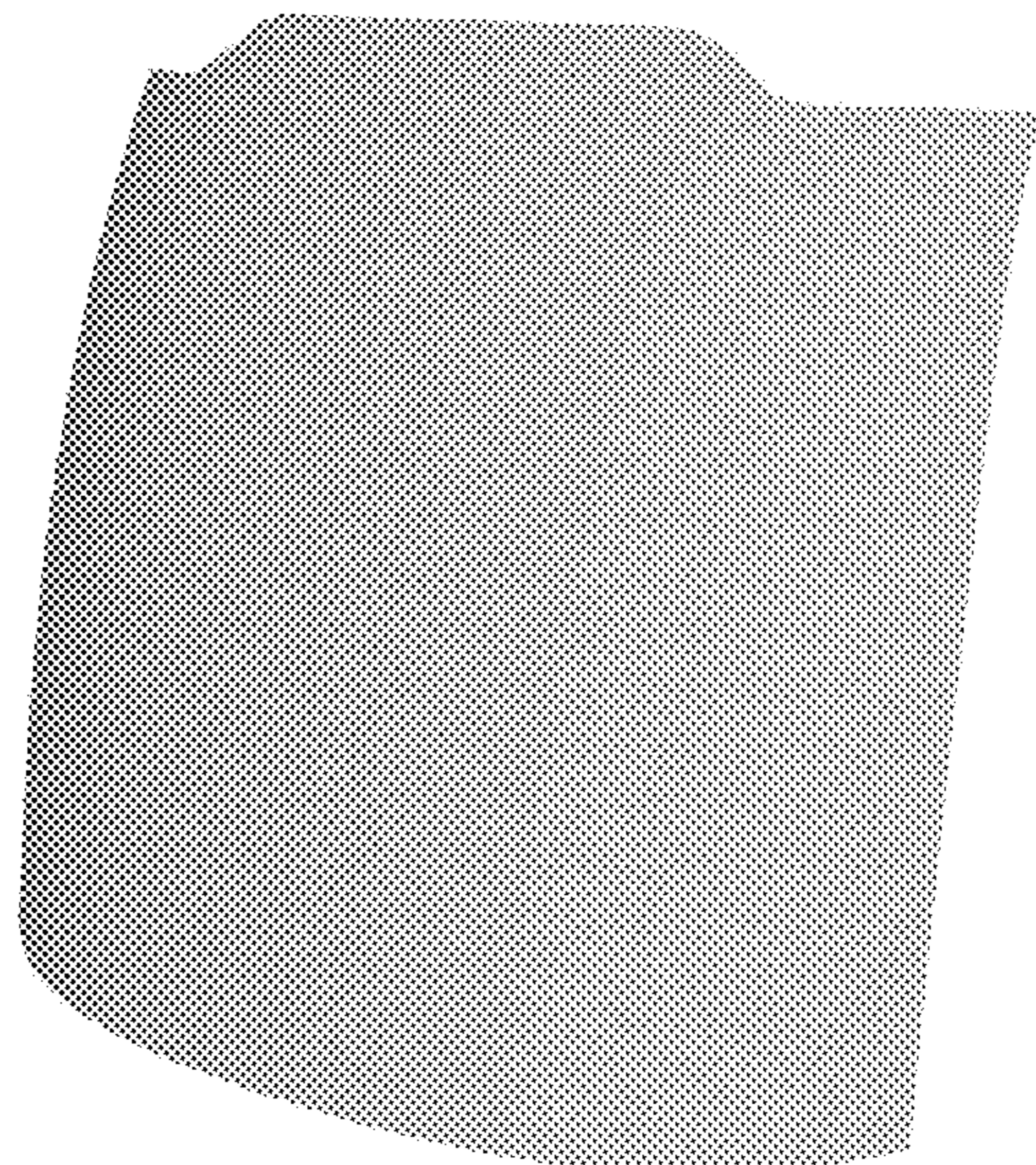




FIG. 1

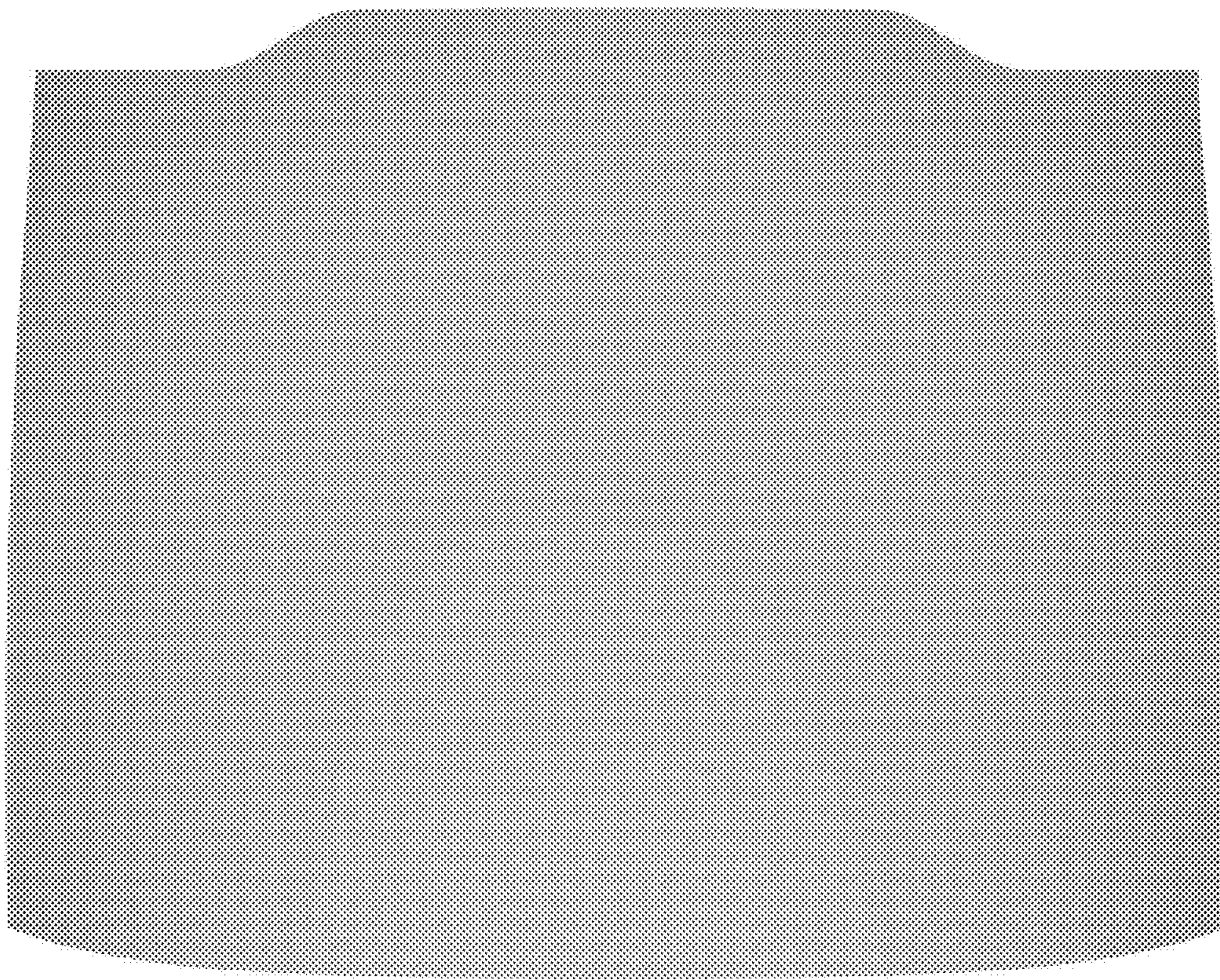


FIG. 2

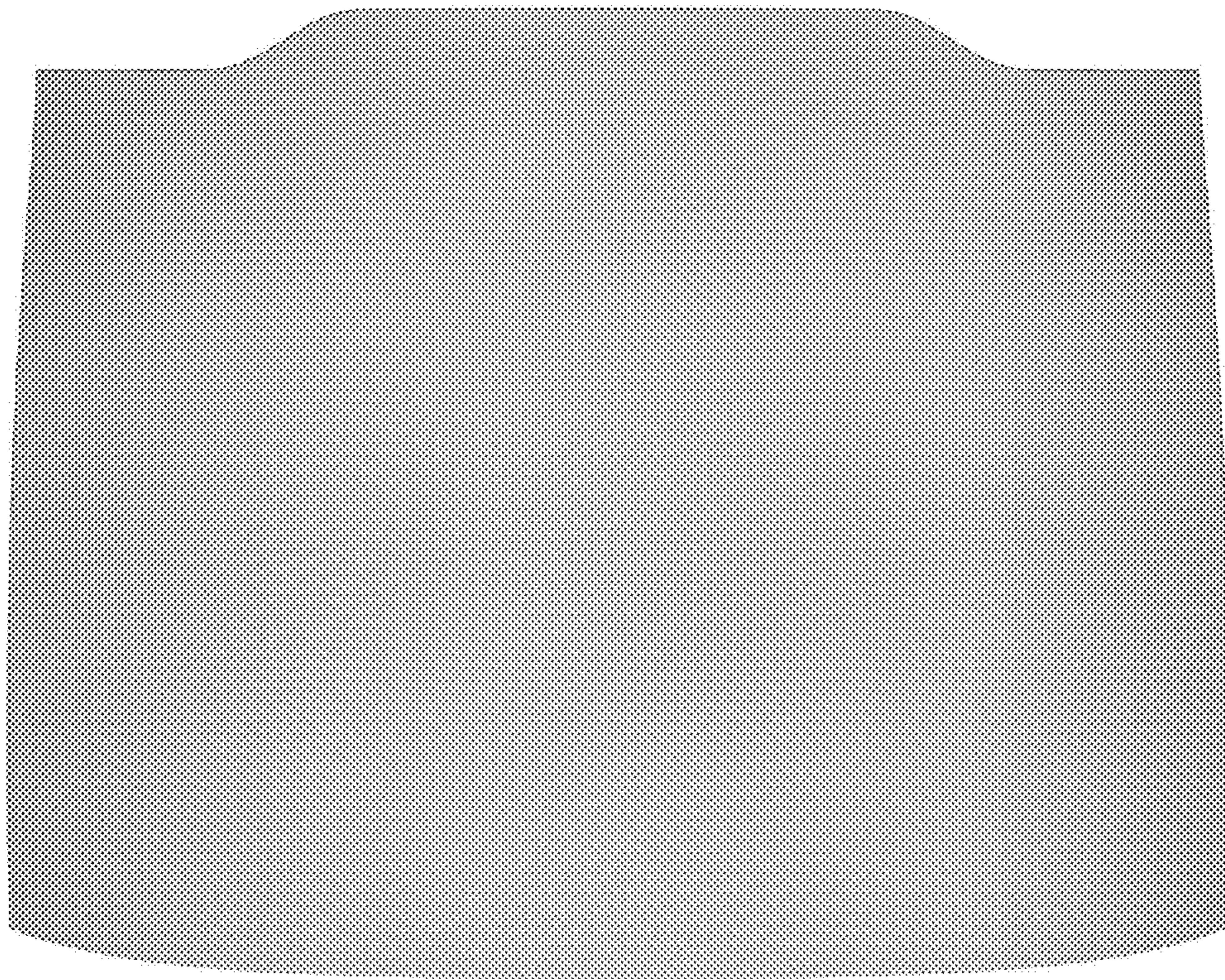


FIG. 3

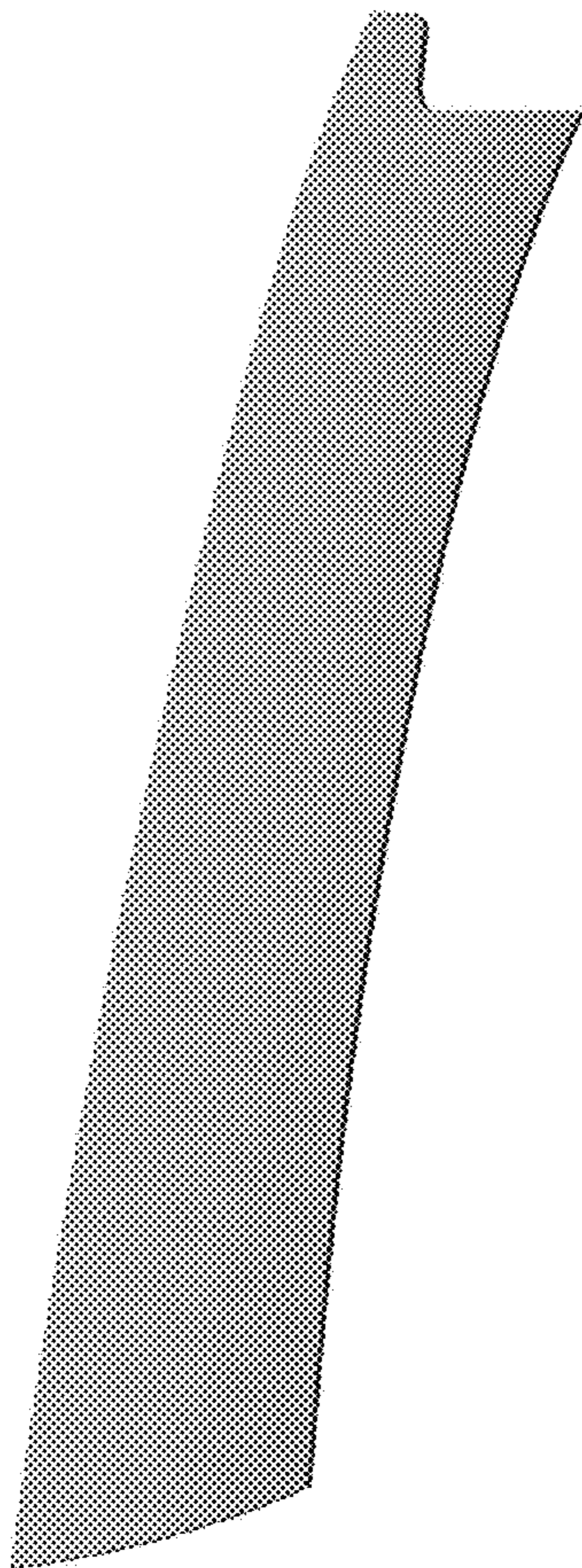


FIG. 4

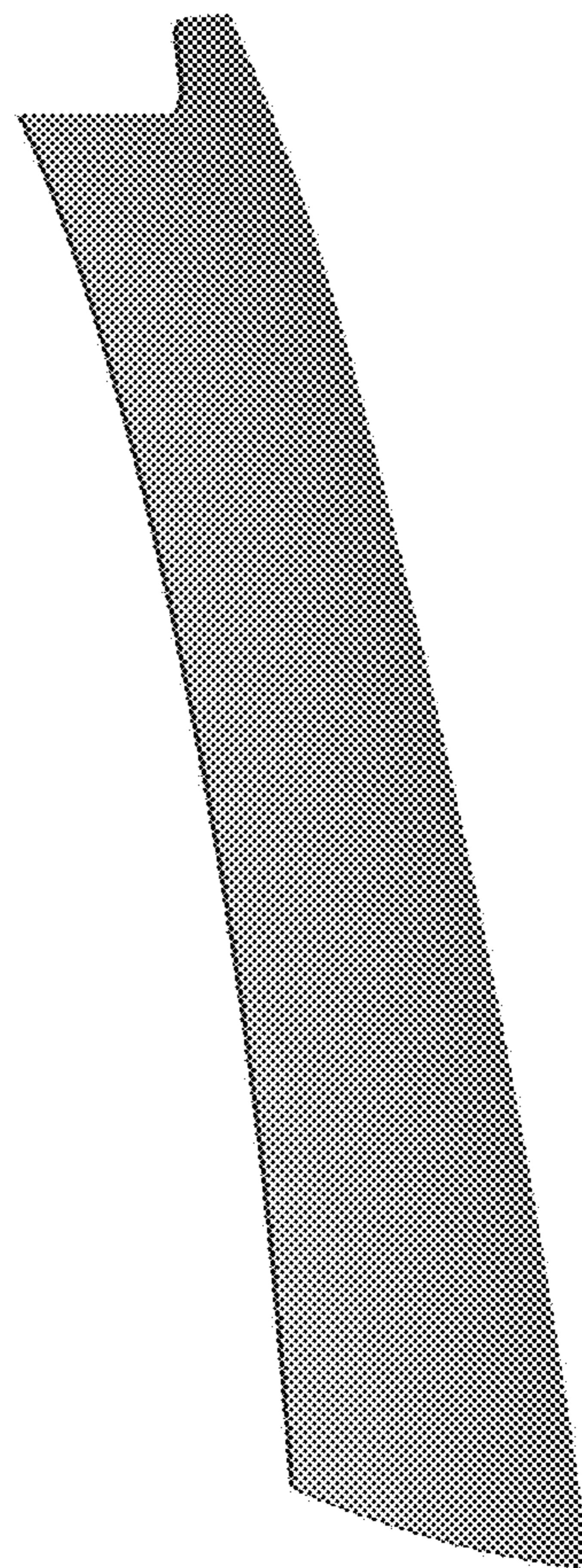


FIG. 5

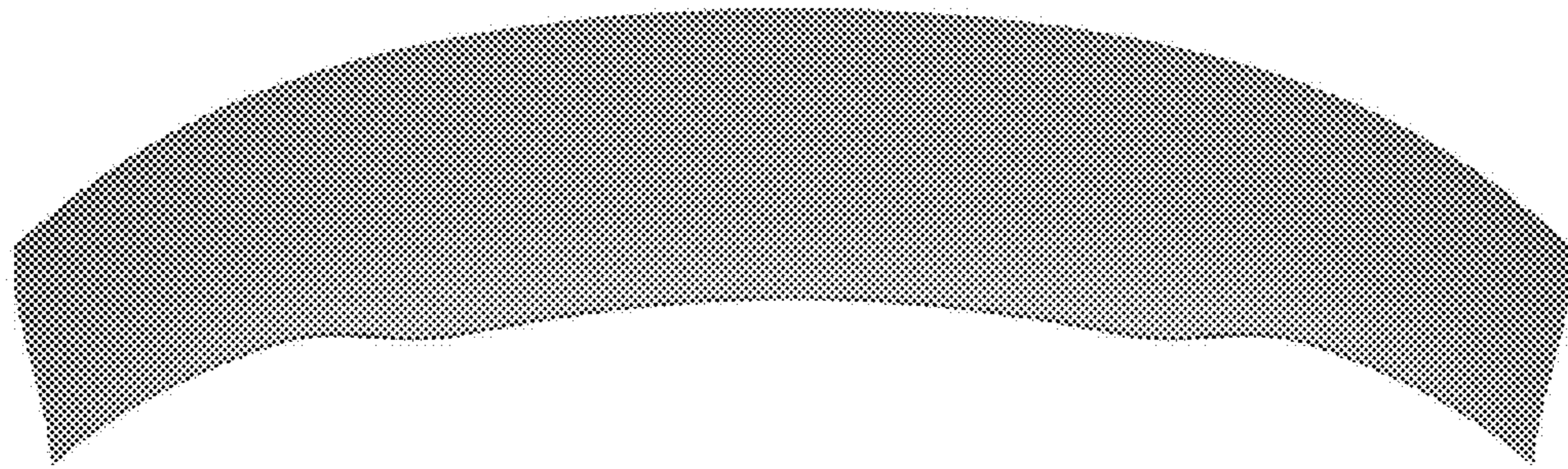


FIG. 6

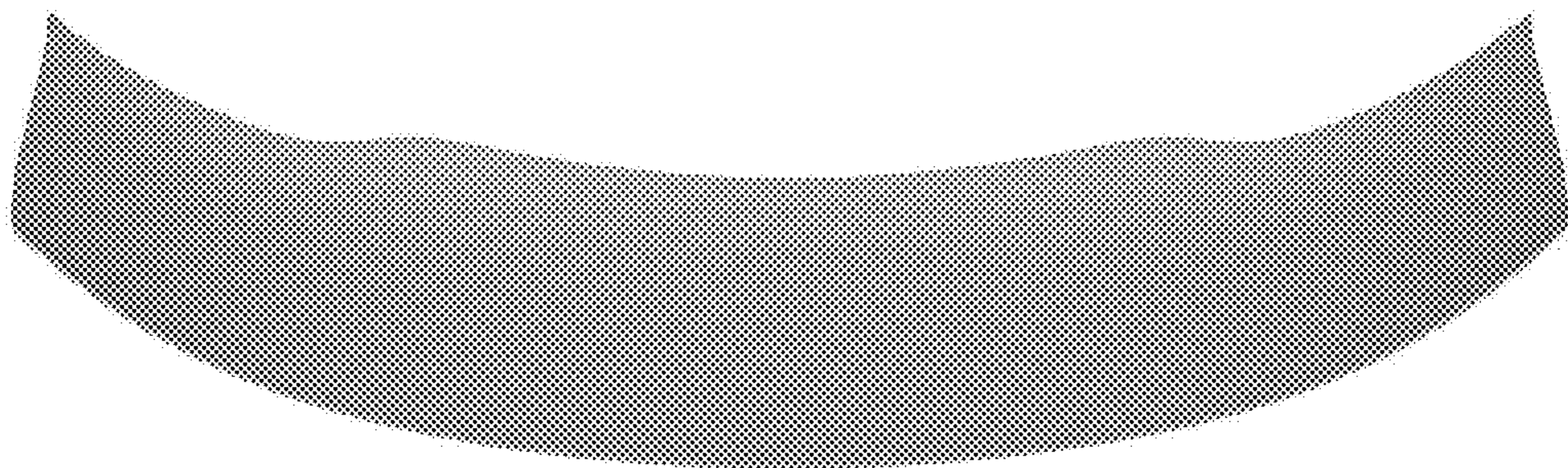


FIG. 7