



US00D775021S

(12) **United States Design Patent**
Harriton et al.

(10) **Patent No.:** **US D775,021 S**

(45) **Date of Patent:** **** Dec. 27, 2016**

(54) **HOOD**

(71) Applicant: **StreetCar ORV LLC**, Commerce Township, MI (US)

(72) Inventors: **David Harriton**, Missoula, MT (US);
Mark Stouffer, Oakland Township, MI (US)

(73) Assignee: **StreetCar ORV LLC**, Commerce Township, MI (US)

(**) Term: **15 Years**

(21) Appl. No.: **29/544,334**

(22) Filed: **Nov. 2, 2015**

(51) **LOC (10) Cl.** **12-16**

(52) **U.S. Cl.**
USPC **D12/173**

(58) **Field of Classification Search**
USPC .. D12/173, 196, 86, 90-92, 181; 180/69.21,
180/69.2, 69.22; 296/190.1-190.5,
296/190.8, 193.11, 37.6
CPC B62D 25/10; B62D 25/06; B62D 65/02;
B62D 25/12; B60Q 1/00
See application file for complete search history.

(56) **References Cited**

U.S. PATENT DOCUMENTS

5,950,753 A * 9/1999 Muldoon B60K 11/00
180/68.1
D473,829 S * 4/2003 Hoyle, Jr. D12/173

D572,639 S * 7/2008 Hayashi D12/173
D579,832 S * 11/2008 Opfer D12/173
D605,991 S * 12/2009 Williams D12/173
D628,946 S * 12/2010 Cogswell D12/173
D640,959 S * 7/2011 Furst D12/173
D641,669 S * 7/2011 Vardis D12/173
D692,812 S * 11/2013 Harriton D12/173
D744,391 S * 12/2015 Beaven D12/173

* cited by examiner

Primary Examiner — Melody N Brown

(74) *Attorney, Agent, or Firm* — Quinn Law Group, PLLC

(57) **CLAIM**

We claim the ornamental design for a hood, as shown and described.

DESCRIPTION

FIG. 1 is a top left front perspective view of a hood, FIG. 2 is a top view of the hood of FIG. 1, FIG. 3 is a bottom view of the hood of FIG. 1, FIG. 4 is a front view of the hood of FIG. 1, FIG. 5 is a rear view of the hood of FIG. 1, FIG. 6 is a left side view of the hood of FIG. 1; and, FIG. 7 is a right side view of the hood of FIG. 1. All broken lines illustrate portions of the hood to which the design is applied that form no part of the claim.

1 Claim, 5 Drawing Sheets

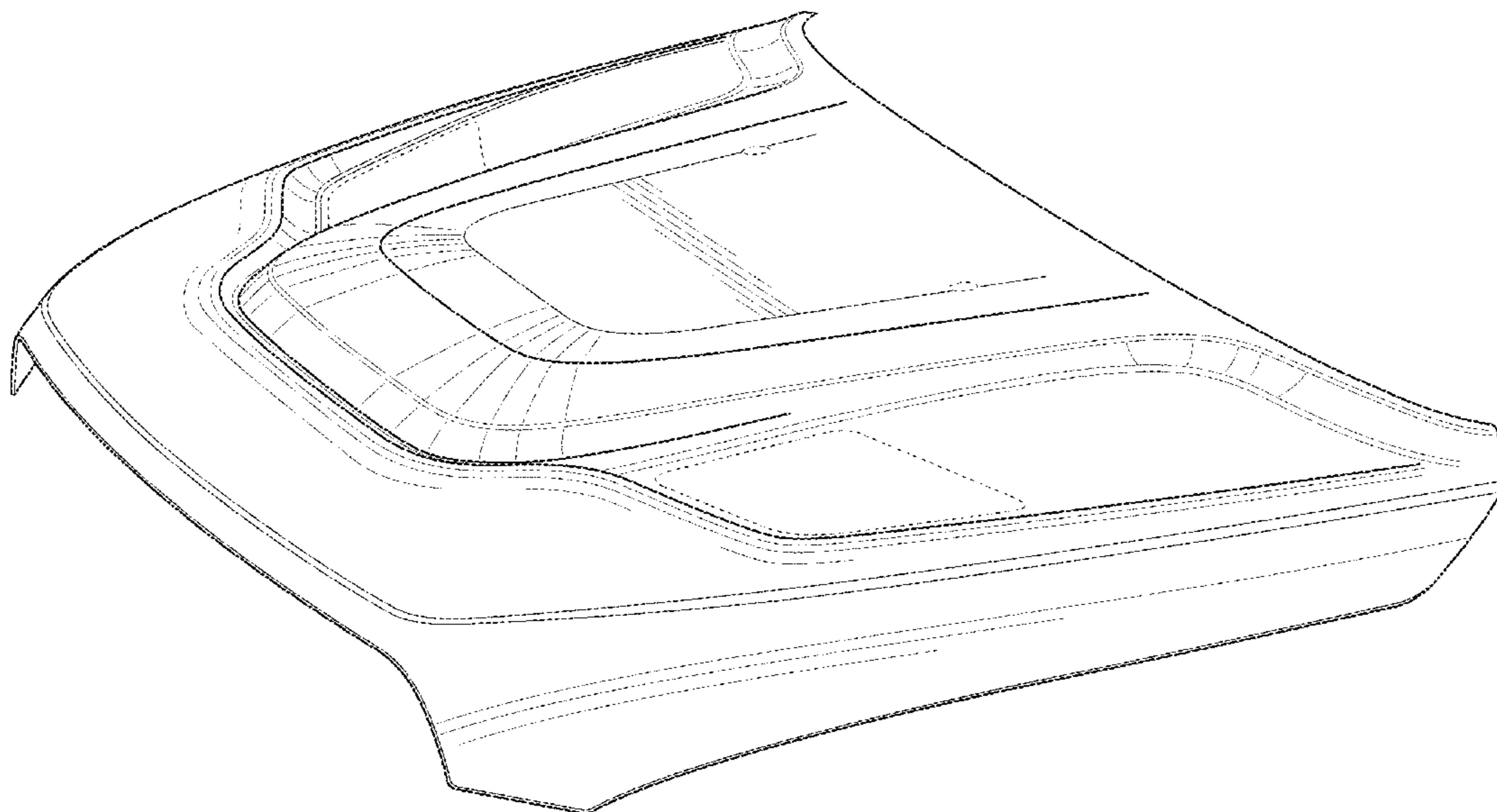
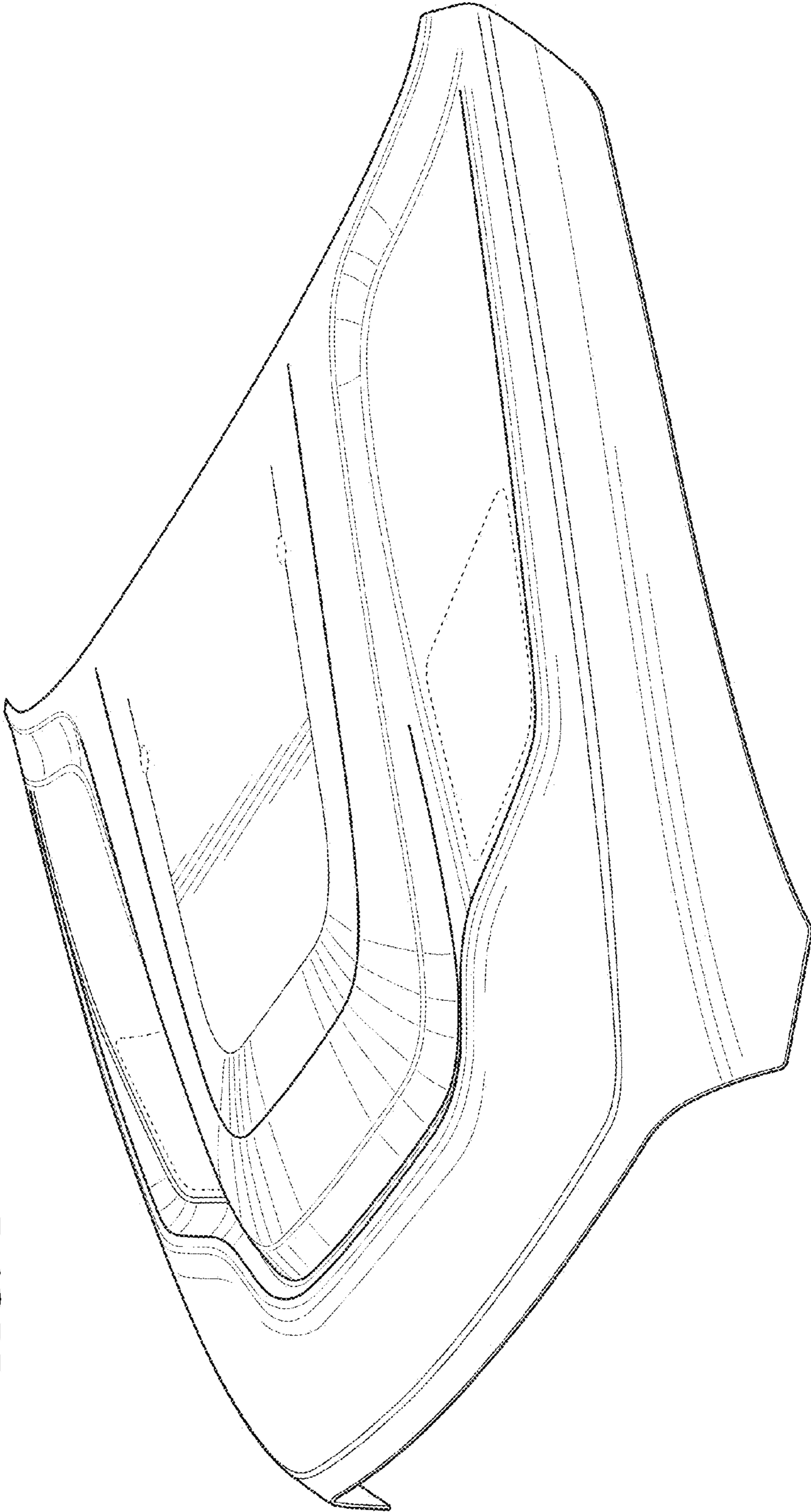


FIG. 1



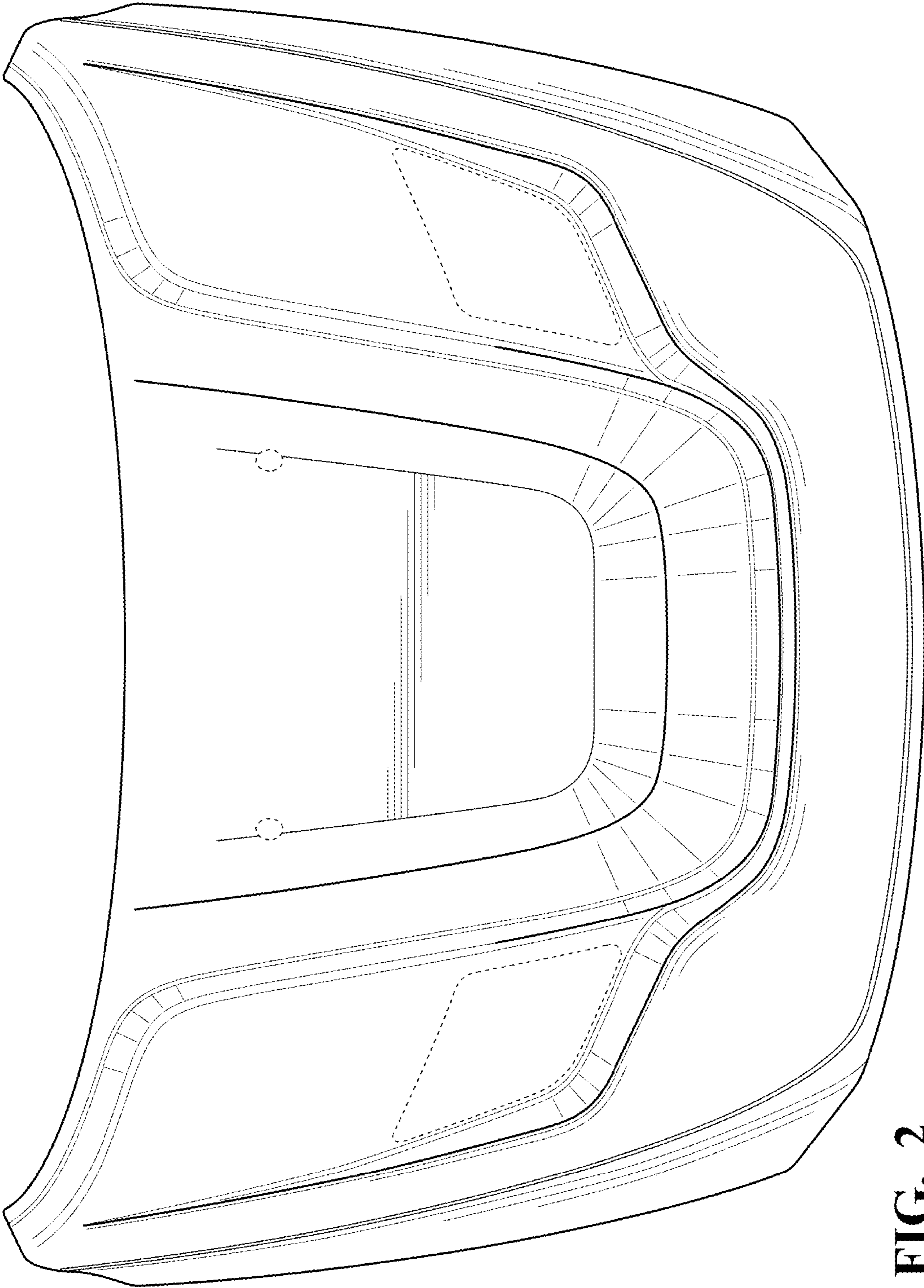


FIG. 2

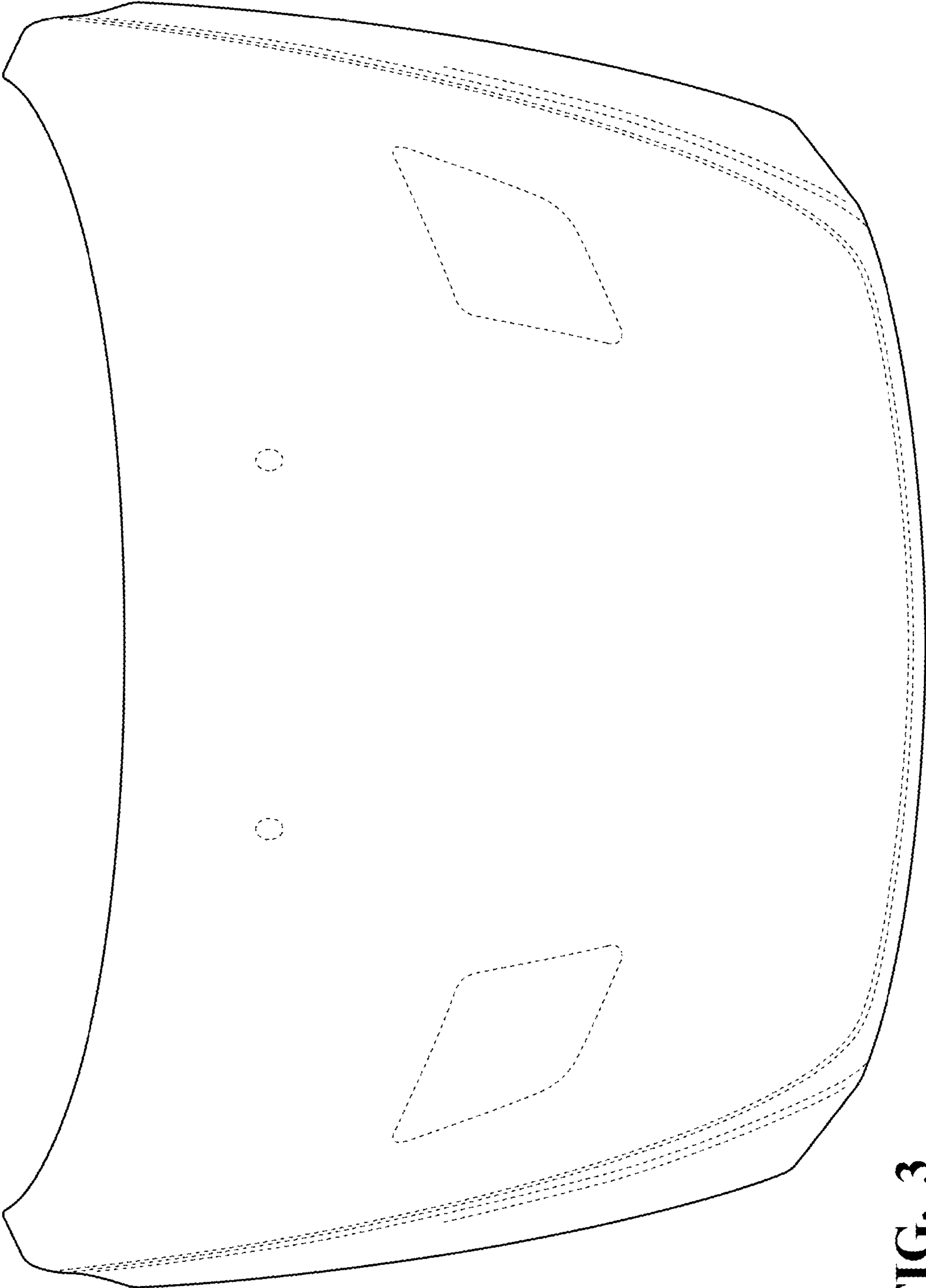


FIG. 3

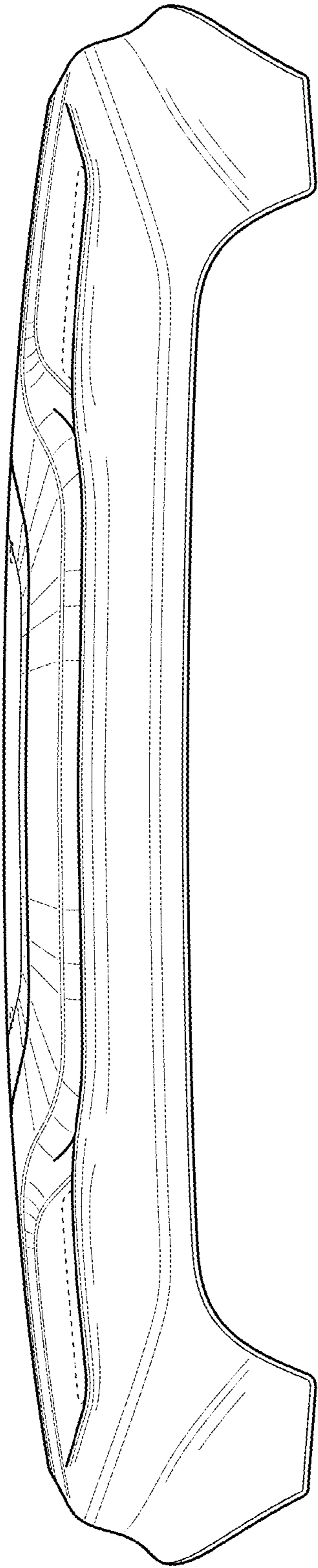


FIG. 4

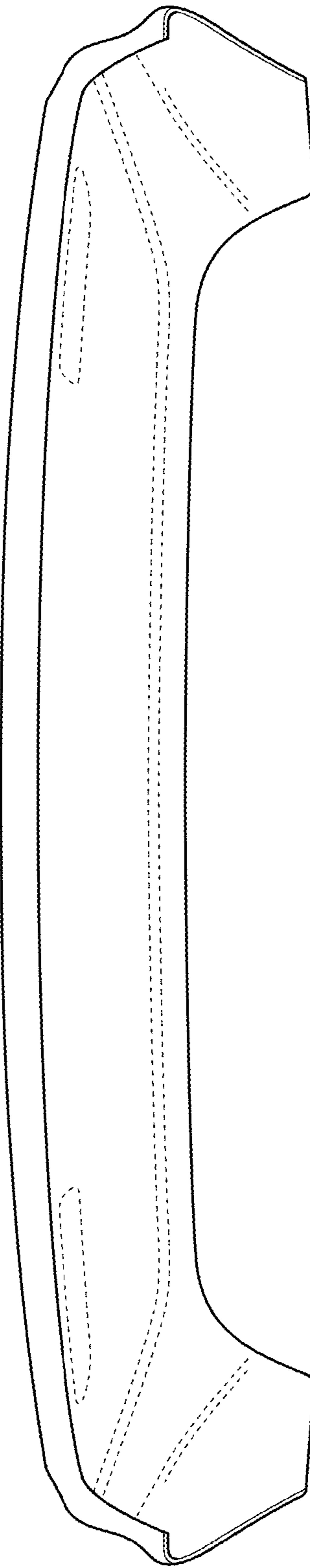


FIG. 5

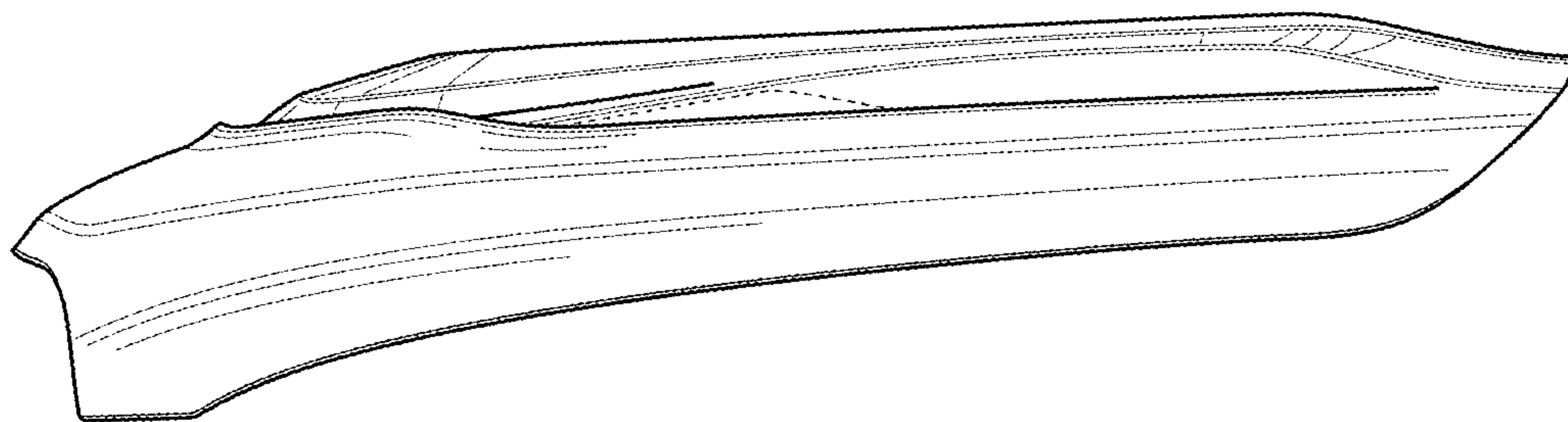


FIG. 6

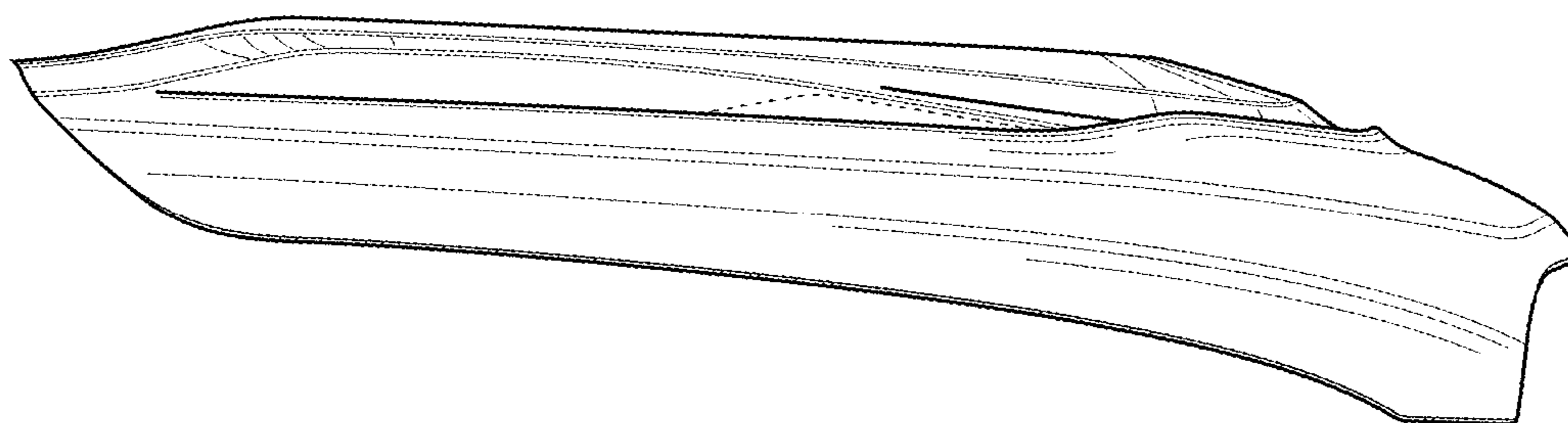


FIG. 7