



US00D775017S

(12) **United States Design Patent**
Tekavec

(10) **Patent No.:** **US D775,017 S**

(45) **Date of Patent:** **** Dec. 27, 2016**

(54) **AUTOMOBILE BUMPER PROTECTOR**

(71) Applicant: **Robert Tekavec**, Brooklyn, NY (US)

(72) Inventor: **Robert Tekavec**, Brooklyn, NY (US)

(**) Term: **14 Years**

(21) Appl. No.: **29/515,952**

(22) Filed: **Jan. 28, 2015**

(51) **LOC (10) Cl.** **12-16**

(52) **U.S. Cl.**

USPC **D12/171**

(58) **Field of Classification Search**

USPC D12/90-92, 98, 163, 167, 171; 293/126,
293/142; 296/95.1, 97.7, 183.1

CPC B60R 19/44
See application file for complete search history.

D626,474 S * 11/2010 Lorenzo D12/171
7,866,715 B2 * 1/2011 Malina B60R 19/44

293/117
D640,618 S * 6/2011 Lorenzo D12/171
8,083,260 B2 12/2011 Haynes

(Continued)

OTHER PUBLICATIONS

“Bumper Bully—Customer Photo Bumper Guard Gallery.” Bumper Bully., Oct. 9, 2007 [online], [retrieved on Jun. 21, 2016]. Retrieved from the Internet <URL: http://www.bumperbully.com/customer_pics_gallery.html>.*

Primary Examiner — Darlington Ly

(74) *Attorney, Agent, or Firm* — Hartman Global IP Law; Gary M. Hartman; Michael D. Winter

(57) **CLAIM**

The ornamental design for an automobile bumper protector, as shown and described.

(56) **References Cited**

U.S. PATENT DOCUMENTS

3,665,355	A	5/1972	Sasaki et al.	
4,498,697	A	2/1985	McGlove et al.	
4,690,446	A	9/1987	Warren	
5,176,421	A	1/1993	Fasiska	
5,370,430	A	12/1994	Mozafari	
5,618,073	A	4/1997	Criscione	
6,186,564	B1	2/2001	Ashcroft	
6,283,518	B1	9/2001	Burtin	
6,572,086	B2	6/2003	Kelly	
6,572,163	B1 *	6/2003	Pickett B60R 19/44 293/142
D508,222	S *	8/2005	Tekavec D12/167
7,073,830	B1 *	7/2006	Chen B60J 11/06 293/109
D618,600	S *	6/2010	Lorenzo D12/171
7,740,294	B2 *	6/2010	Malina B60R 19/44 293/128
D619,060	S *	7/2010	Lorenzo D12/171
D619,061	S *	7/2010	Lorenzo D12/171

DESCRIPTION

FIG. 1 is a perspective view of an automobile bumper protector in accordance with this invention.

FIG. 2 is a front elevational view of the bumper protector of FIG. 1.

FIG. 3 is a rear elevational view of the bumper protector of FIG. 1.

FIG. 4 is a top view of the bumper protector of FIG. 1.

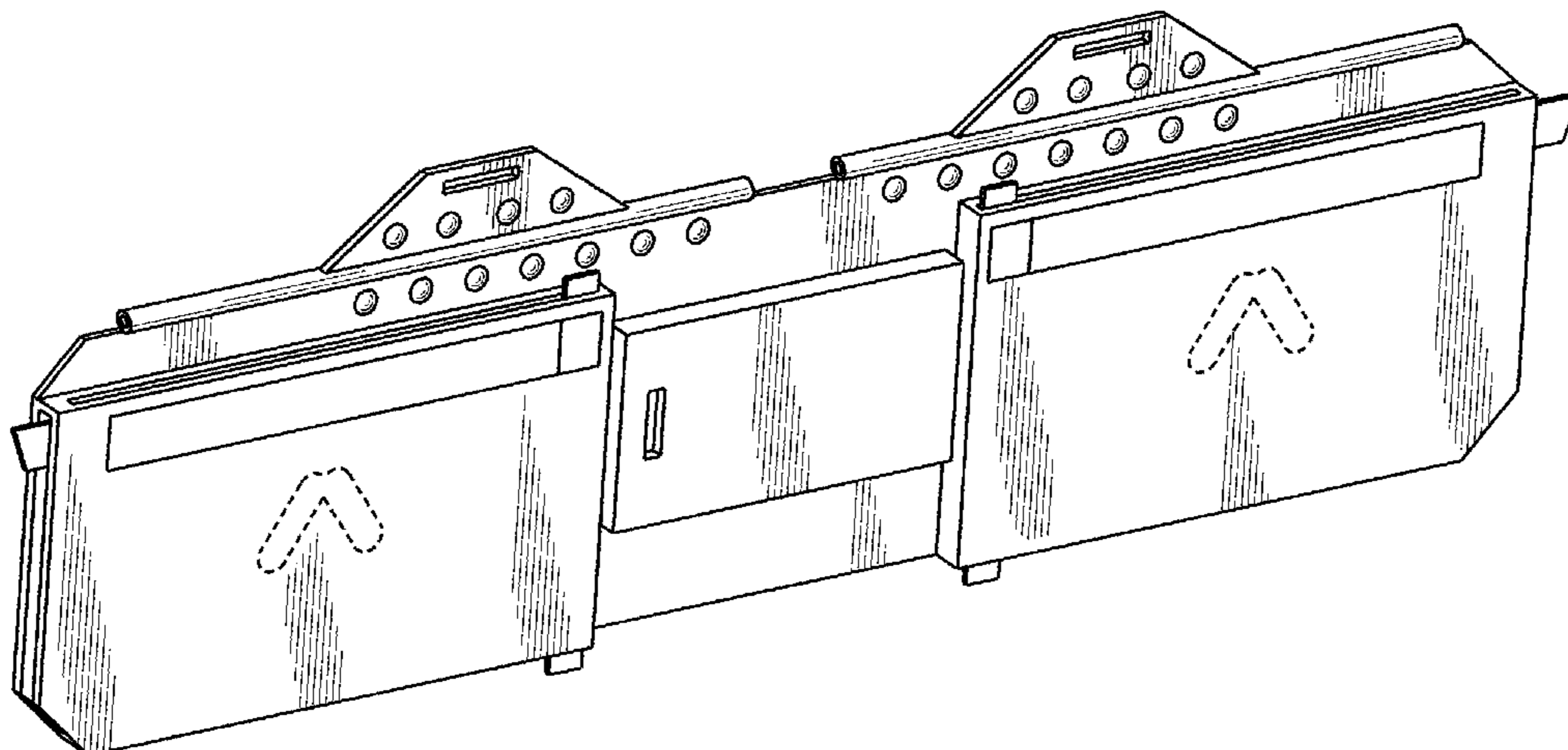
FIG. 5 is a bottom view of the bumper protector of FIG. 1.

FIG. 6 is a left elevational view of the bumper protector of FIG. 1; and,

FIG. 7 is a right elevational view of the bumper protector of FIG. 1.

The broken lines showing the indicium on the front surface of the automobile bumper protector are provided for the purpose of illustration portions of the article and forms no part of the claimed design.

1 Claim, 4 Drawing Sheets



(56)

References Cited

U.S. PATENT DOCUMENTS

8,393,658	B2	3/2013	Malina et al.	
8,531,282	B1	9/2013	Santiago	
D709,806	S *	7/2014	Musgrove	D12/167
8,850,727	B2	10/2014	Malina et al.	
2002/0024224	A1 *	2/2002	Bio	B60R 19/44 293/142
2008/0116703	A1	5/2008	Malina et al.	
2009/0091145	A1	4/2009	Malina et al.	
2010/0276951	A1 *	11/2010	Malina	B60R 19/44 293/142
2011/0068592	A1	3/2011	Malina et al.	
2013/0047476	A1	2/2013	Malina et al.	

* cited by examiner

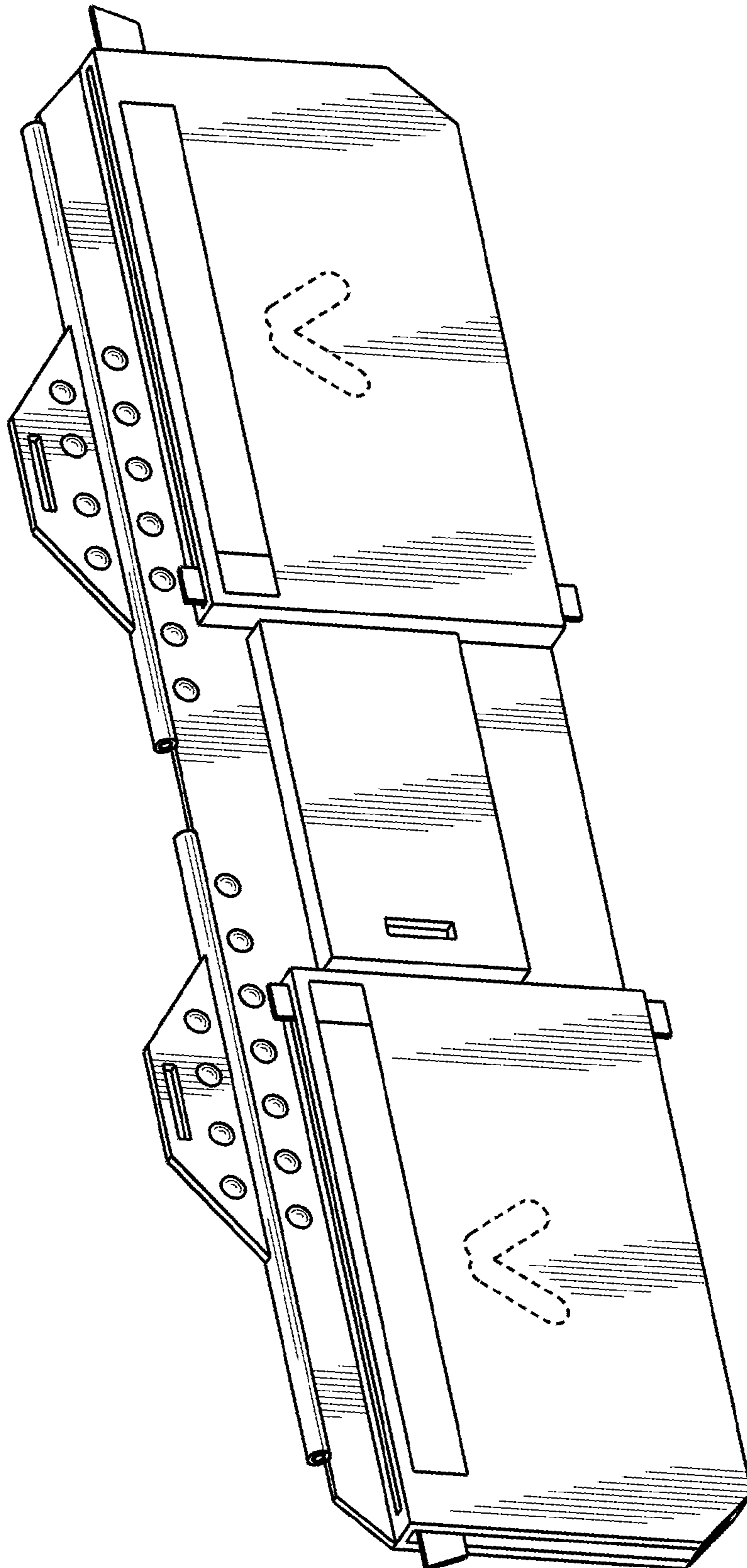


Fig. 1

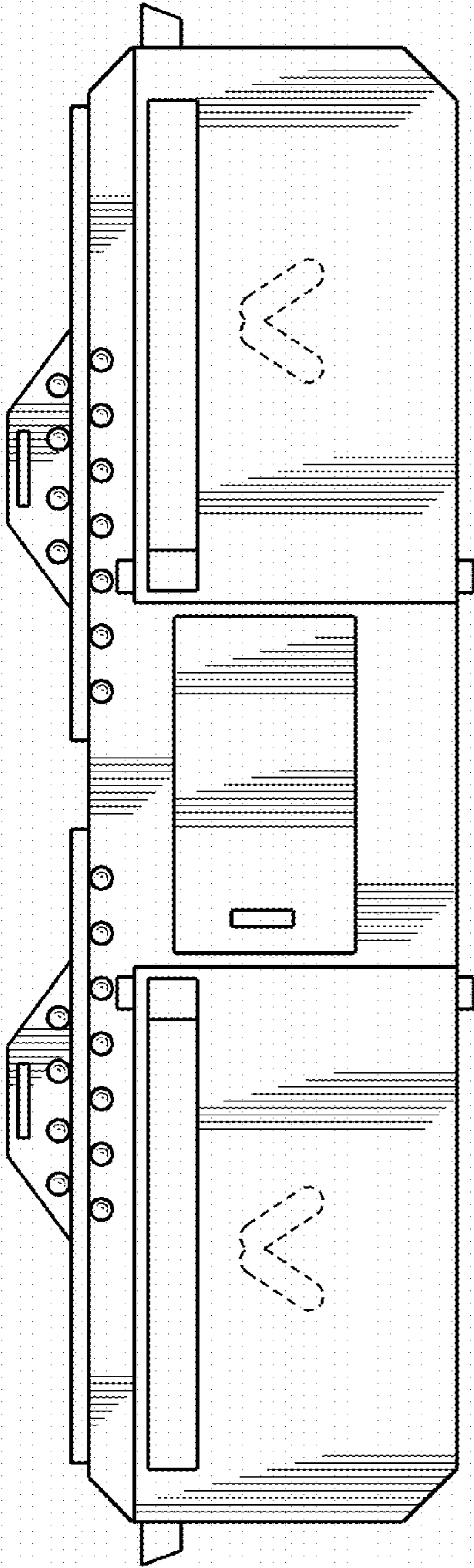


Fig. 2

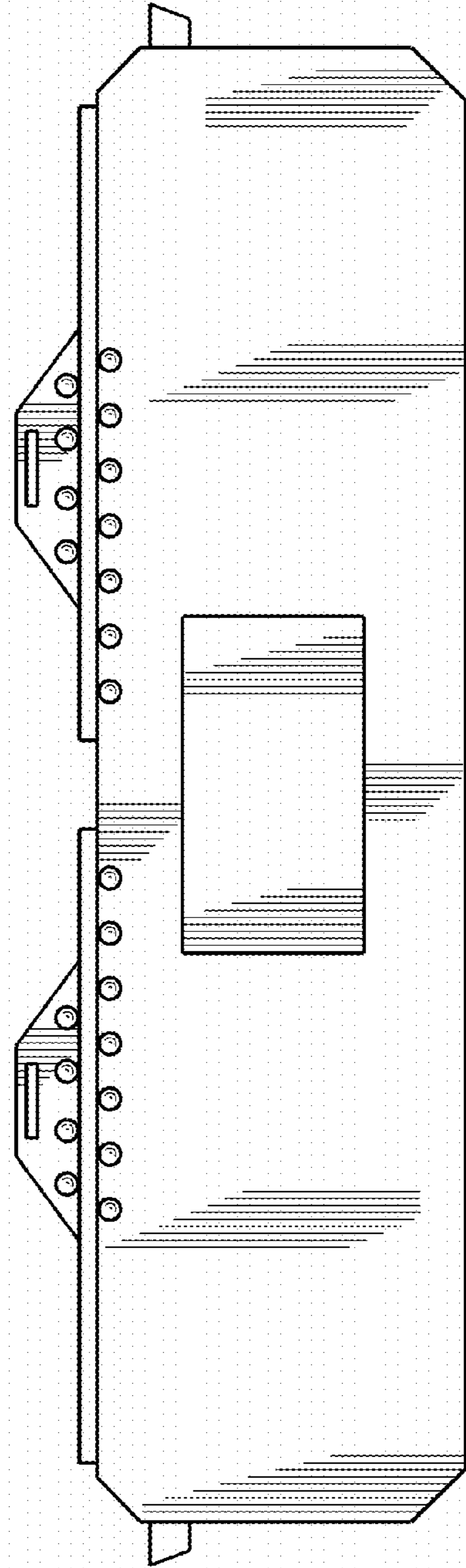


Fig. 3

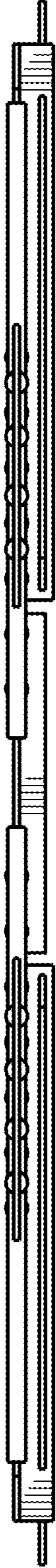


Fig. 4

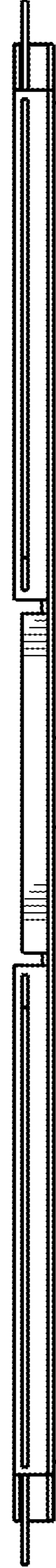


Fig. 5



Fig. 6

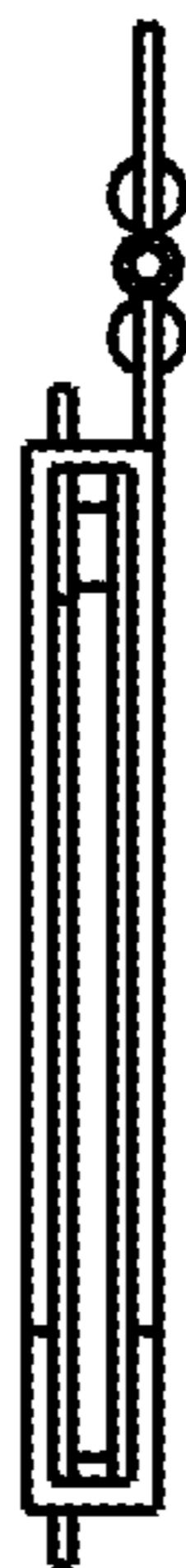


Fig. 7