



US00D775016S

(12) **United States Design Patent** (10) **Patent No.:** **US D775,016 S**
Reynolds (45) **Date of Patent:** **** Dec. 27, 2016**

(54) **VEHICLE BUMPER**
(71) Applicant: **Pink Adventure Group, Inc.**, Houston, TX (US)
(72) Inventor: **Joseph Reynolds**, Sedona, AZ (US)
(73) Assignee: **Pink Adventure Group, Inc.**, Houston, TX (US)
(**) Term: **14 Years**
(21) Appl. No.: **29/504,217**
(22) Filed: **Oct. 2, 2014**
(51) **LOC (10) Cl.** **12-16**
(52) **U.S. Cl.**
USPC **D12/171**
(58) **Field of Classification Search**
USPC D12/86, 90, 91, 92, 163, 164, 169, 171, D12/196, 216; 180/68.4, 68.6; 293/102, 293/112, 113, 115, 117, 120; 296/180.1, 296/180.2
CPC B60R 19/02; B60R 19/18; B60R 19/24; B60R 19/56; B60R 2019/007; B62D 25/0845
See application file for complete search history.

D737,181 S * 8/2015 Smith D12/169
D743,856 S * 11/2015 Ma D12/171
2006/0192398 A1* 8/2006 Buniewicz B60R 19/04 293/102

OTHER PUBLICATIONS

“Prado 95 Series Protector Bull Bar.” Ironman 4x4., Nov. 12, 2012 [online], [retrieved on Jun. 20, 2016]. Retrieved from the Internet <URL: <http://www.ironman4x4.com/products/protector/bullbars/prado-95-series-protector-bull-bar>>.*
“Paramount Offroad.” Catalog., Feb. 15, 2014 [online], [retrieved on Jun. 20, 2016]. Retrieved from the Internet <URL: <http://www.carid.com/images/paramount-automotive/pdf/paramount-offroad-catalog.pdf>>.*
“Fab Four.” Catalog., Dec. 2, 2014 [online], [retrieved on Jun. 20, 2016]. Retrieved from the Internet <URL: <http://www.carid.com/images/fab-fours/info/pdf/catalog.pdf>>.*
Photographs of bumper design taken Aug. 29, 2014.

* cited by examiner

Primary Examiner — Darlington Ly
(74) *Attorney, Agent, or Firm* — Adam R. Stephenson, LTD.

(57) **CLAIM**

The ornamental design for a vehicle bumper, as shown and described.

(56) **References Cited**

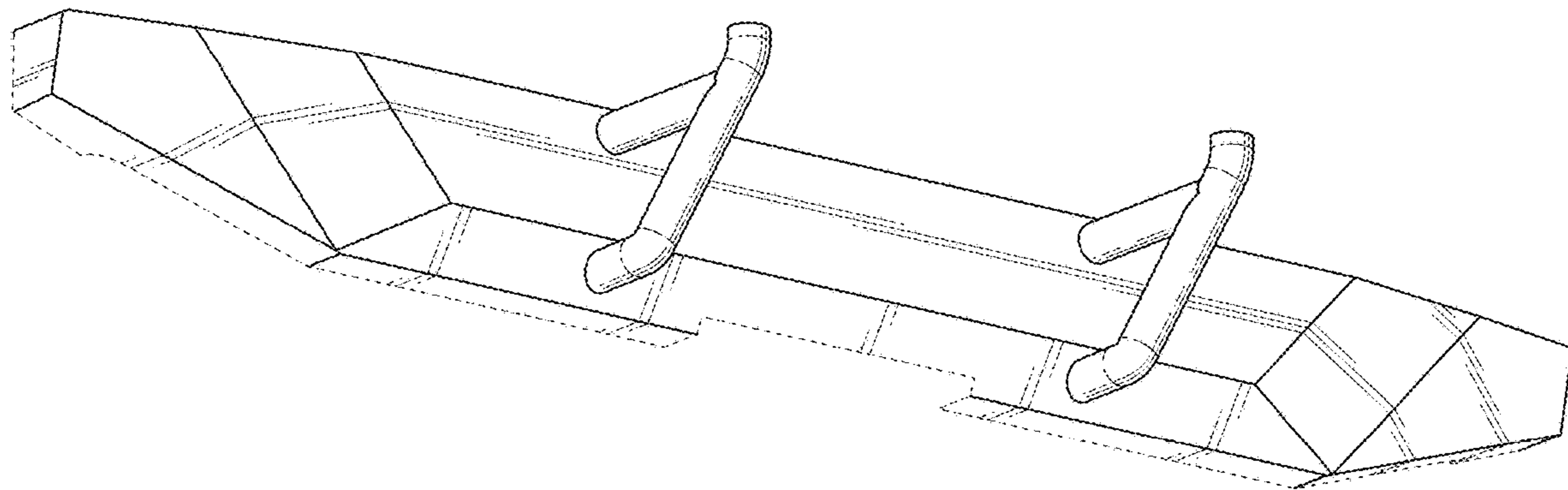
U.S. PATENT DOCUMENTS

D300,128 S * 3/1989 Brennan D12/169
D375,067 S * 10/1996 Bronstein D12/169
D432,469 S * 10/2000 Nelson D12/169
D454,099 S * 3/2002 McGuinness D12/171
D454,525 S * 3/2002 McGuinness D12/171
D454,817 S * 3/2002 McGuinness D12/171
D455,684 S * 4/2002 McGuinness D12/171
D502,433 S * 3/2005 McClanahan D12/169
7,703,834 B1 * 4/2010 Hardy B60R 9/06 296/102
D722,927 S * 2/2015 Schroeder D12/171

DESCRIPTION

FIG. 1 is front-left perspective view of a vehicle bumper; FIG. 2 is a right side view thereof, the left side view being a mirror image;
FIG. 3 is a front view thereof;
FIG. 4 is a rear view thereof;
FIG. 5 is top view thereof; and,
FIG. 6 is a bottom view thereof.
The broken lines in the drawings illustrate portions of the vehicle bumper that form no part of the claimed design.

1 Claim, 3 Drawing Sheets



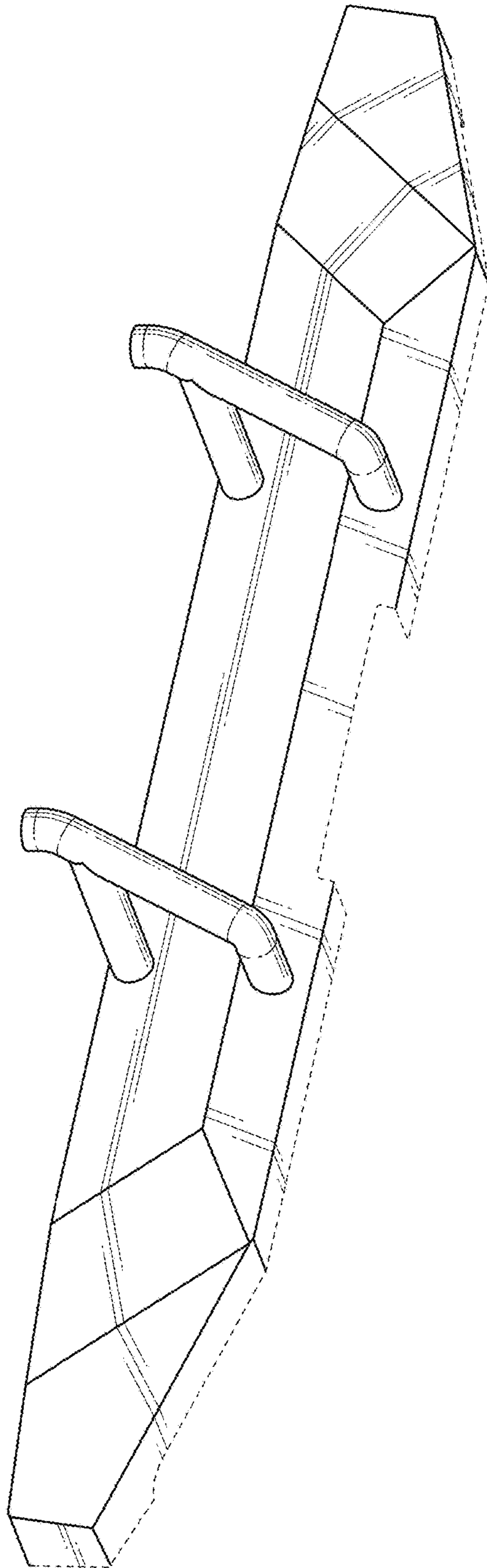


FIG. 1

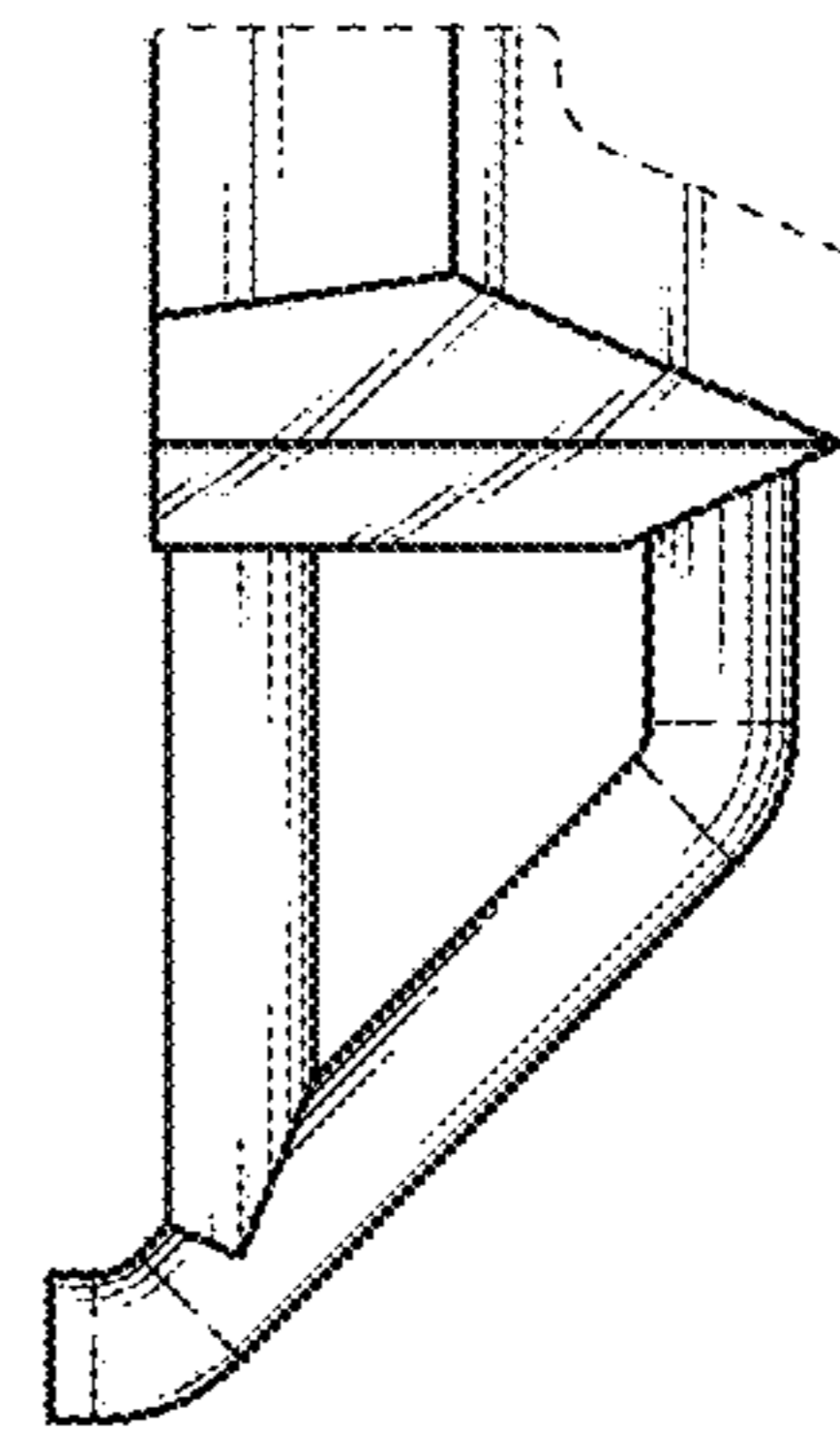


FIG. 2

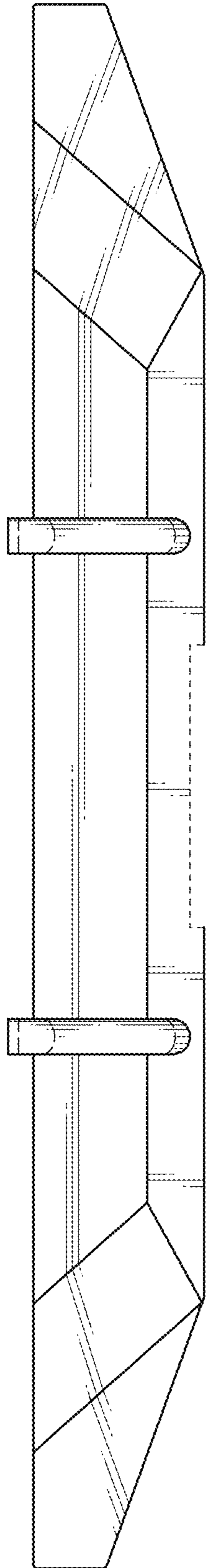


FIG. 3

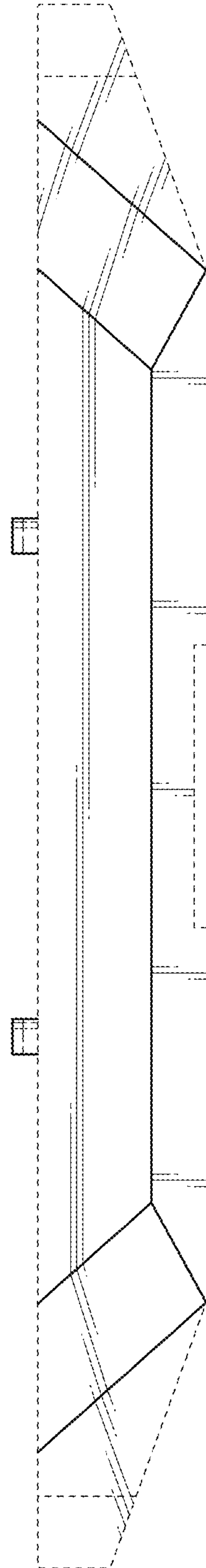


FIG. 4

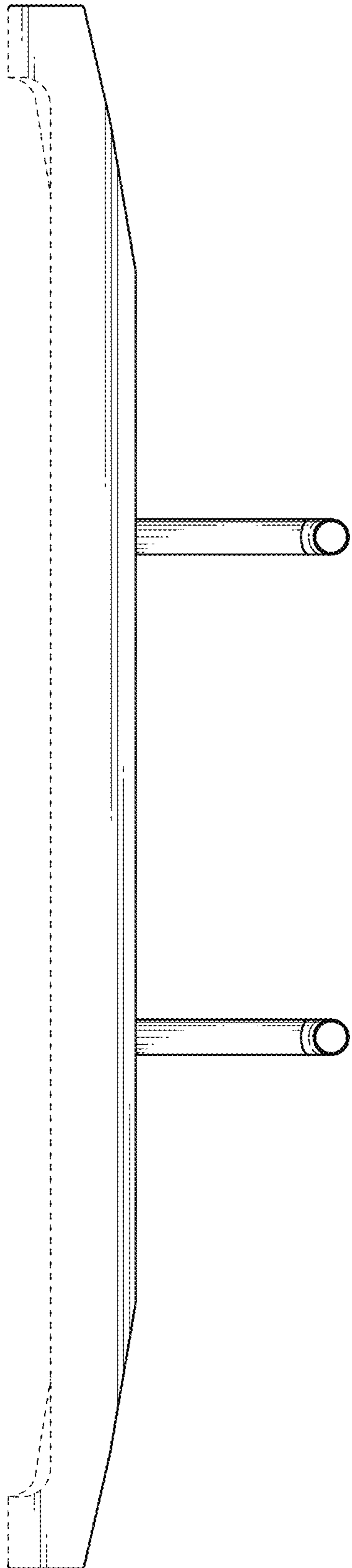


FIG. 5

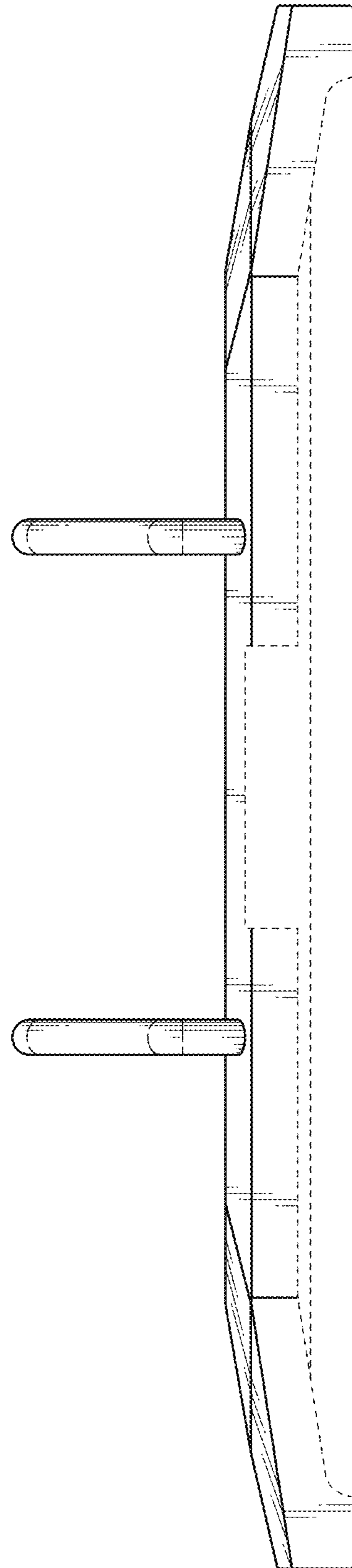


FIG. 6