



US00D775014S

(12) **United States Design Patent** (10) **Patent No.:** **US D775,014 S**
Higgs (45) **Date of Patent:** **** Dec. 27, 2016**

(54) **VEHICLE BUMPER WITH GRILLE**
(71) Applicant: **FAB FOURS INC.**, Lancaster, SC (US)
(72) Inventor: **Gregory Neal Higgs**, Lancaster, SC (US)
(73) Assignee: **FAB FOURS INC.**, Lancaster, SC (US)
(**) Term: **15 Years**

D640,958 S 7/2011 Yokoi et al.
D642,099 S * 7/2011 Nagao D12/171
D691,074 S * 10/2013 Dugardin D12/171
D722,927 S * 2/2015 Schroeder D12/171
D737,739 S * 9/2015 Hanson D12/169
D751,012 S * 3/2016 Hare D12/169
D760,133 S * 6/2016 Bennett D12/171
2014/0021328 A1* 1/2014 Higgs B66D 1/00
248/674

(21) Appl. No.: **29/563,541**
(22) Filed: **May 5, 2016**
(51) **LOC (10) Cl.** **12-16**
(52) **U.S. Cl.**
USPC **D12/170**
(58) **Field of Classification Search**
USPC D12/86, 90-92, 163, 169, 171, 196, 216;
293/102, 113, 115, 117, 120; 296/180.1,
296/180.2
CPC B62D 25/02; B62D 25/08; B62D 25/087;
B62D 25/24
See application file for complete search history.

OTHER PUBLICATIONS

Mansour, Ali. "Whoa, Fab Four's Legend 2 Is All Show and Go." Driving Line., Jan. 9, 2016 [online], [retrieved on Nov. 2, 2016]. Retrieved from the Internet <URL: <http://www.drivingline.com/articles/whoa-fab-fours-legend-2-is-all-show-and-go/>>.*

(Continued)

Primary Examiner — Darlington Ly
(74) *Attorney, Agent, or Firm* — Oliff PLC

(57) **CLAIM**

The ornamental design for a vehicle bumper with grille, as shown and described.

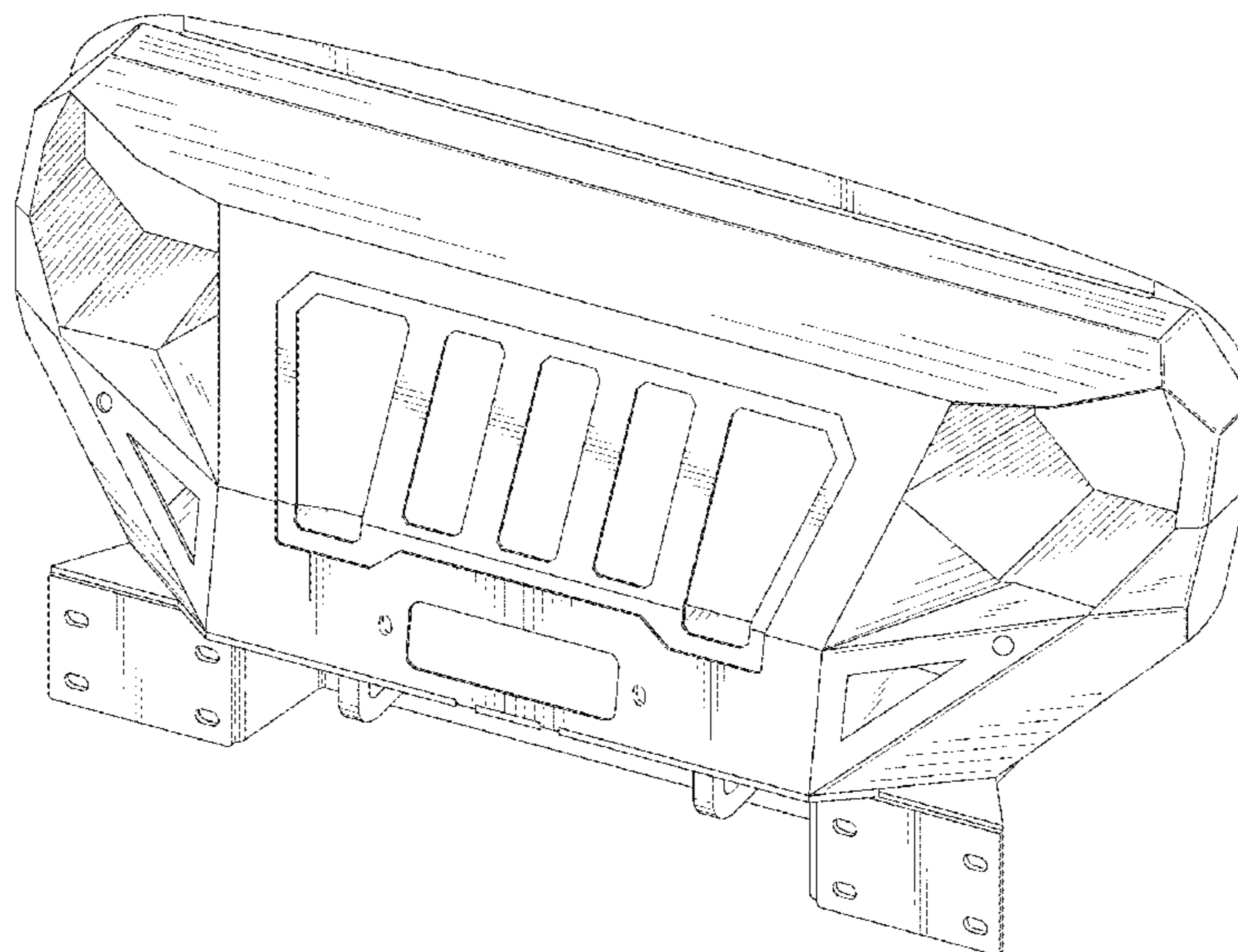
DESCRIPTION

FIG. 1 is a front, top, and left-side perspective view of a vehicle bumper with grille showing my new design; FIG. 2 is a front elevational view thereof; FIG. 3 is a top plan view thereof; FIG. 4 is a left-side elevational view thereof, the right-side elevational view (not provided) being a mirror image of the left-side view; FIG. 5 is rear elevational view thereof; and, FIG. 6 is a bottom plan view thereof. The broken lines in the drawings illustrate portions of the vehicle bumper with grille that forms no part of the claimed design.

1 Claim, 6 Drawing Sheets

(56) **References Cited**
U.S. PATENT DOCUMENTS

D308,037 S	5/1990	Aiken	
D308,957 S	7/1990	Bennie	
D324,018 S	2/1992	Ueno	
D375,067 S	* 10/1996	Bronstein D12/169
D420,962 S	* 2/2000	Chevalier D12/171
D432,469 S	* 10/2000	Nelson D12/169
D444,112 S	6/2001	Shimazu	
D454,098 S	* 3/2002	McGuinness D12/171
D454,817 S	* 3/2002	McGuinness D12/171
D472,854 S	* 4/2003	Weber D12/163
D502,433 S	* 3/2005	McClanahan D12/169
D557,642 S	* 12/2007	Miwa D12/171
D580,322 S	* 11/2008	Schroeder D12/107



(56)

References Cited

OTHER PUBLICATIONS

“Installation Instructions Jeep JK Front Grumper.” Fab Fours., Apr. 19, 2016 [online], [retrieved on Nov. 2, 2016]. Retrieved from the Internet <URL: <http://fabfours.com/wp-content/uploads/2016/02/GR1000-1.pdf>>.*

“Fab Fours Dodge Ram Black Steel Elite Front Bumper.” Auto Truck., Dec. 17, 2013 [online], [retrieved on Nov. 2, 2016]. Retrieved from the Internet <URL: <http://www.autotrucktoys.com/ram/Fab-Fours-Dodge-Ram-Black-Steel-Elite-Front-Bumper-PRD37943.aspx>>.*

“Fab Four Bumpers!!!!!!!!!!!!!!!!!!!!” Tacoma World., Sep. 19, 2012 [online], [retrieved on Nov. 2, 2016]. Retrieved from the Internet <URL: <https://www.tacomaworld.com/threads/fab-four-bumpers.240116/>>.*

* cited by examiner

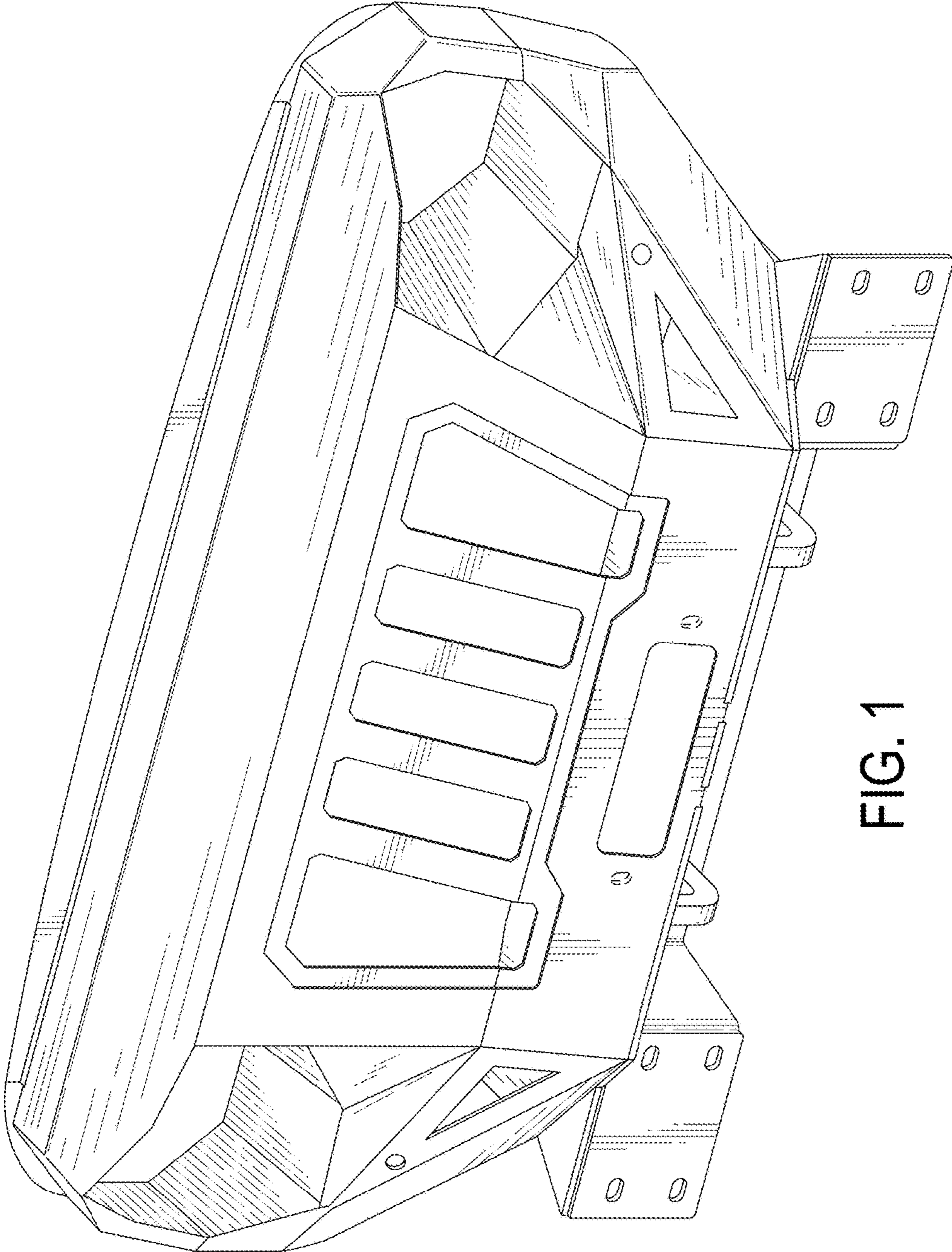


FIG. 1

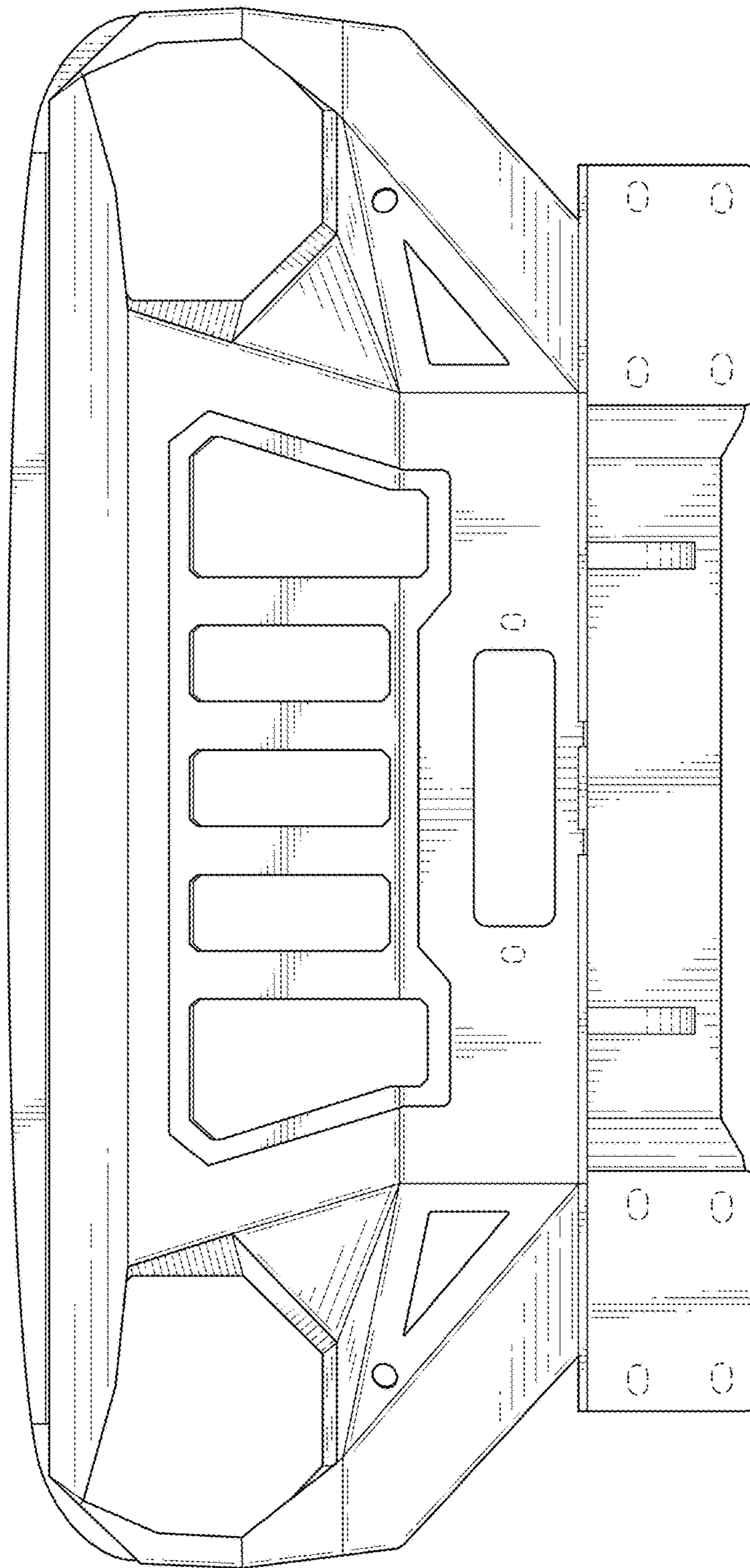


FIG. 2

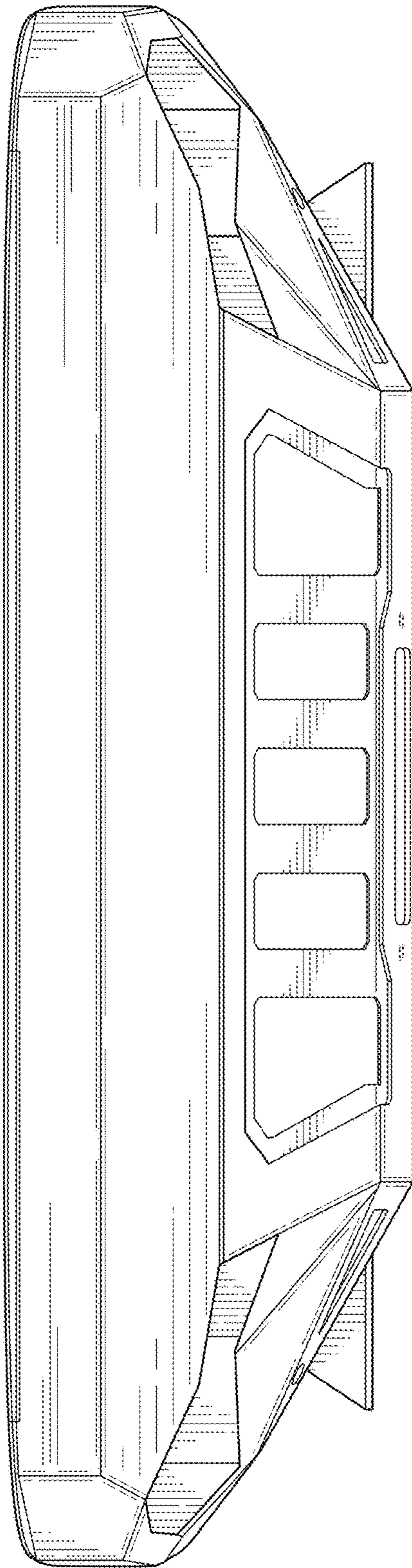


FIG. 3

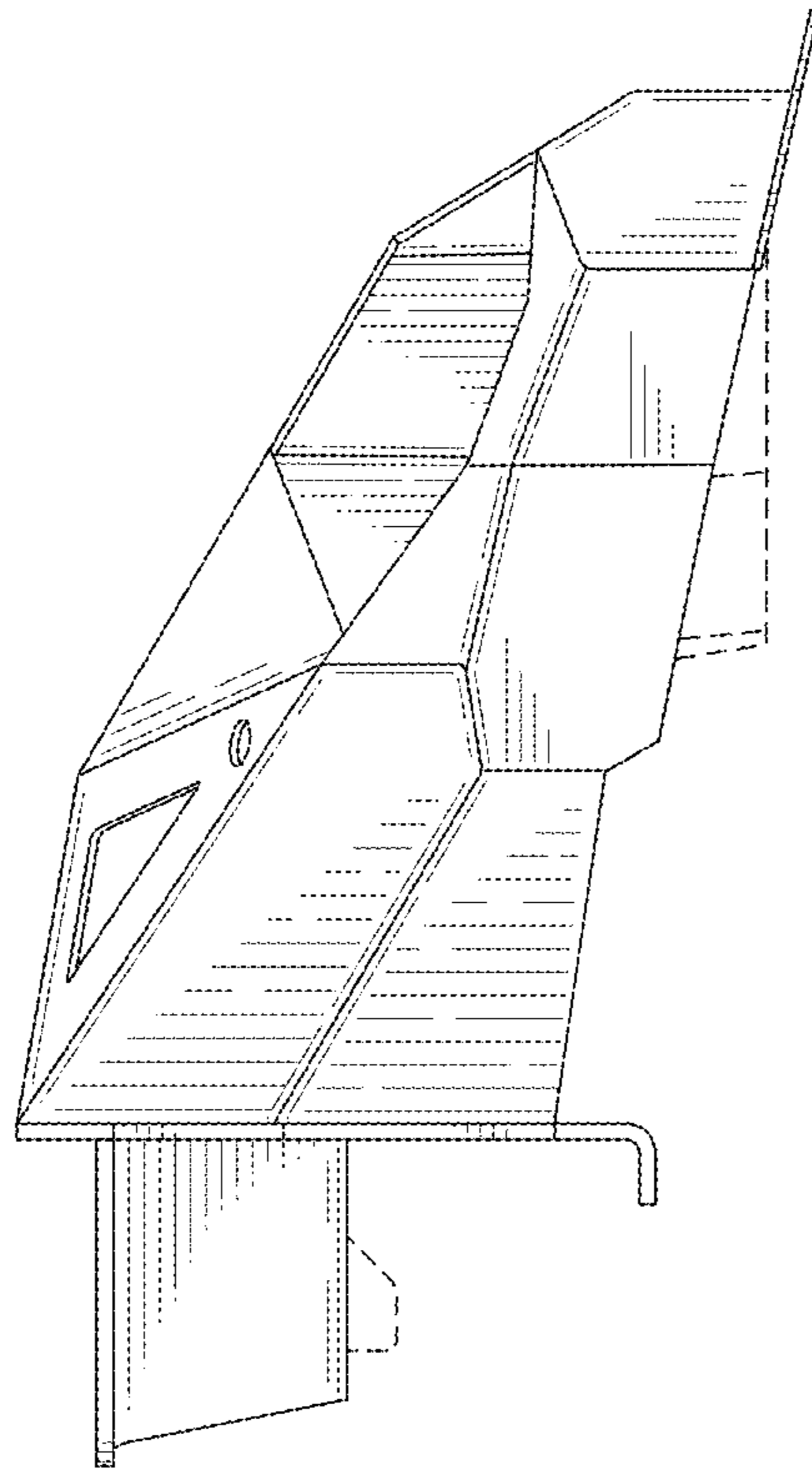


FIG. 4

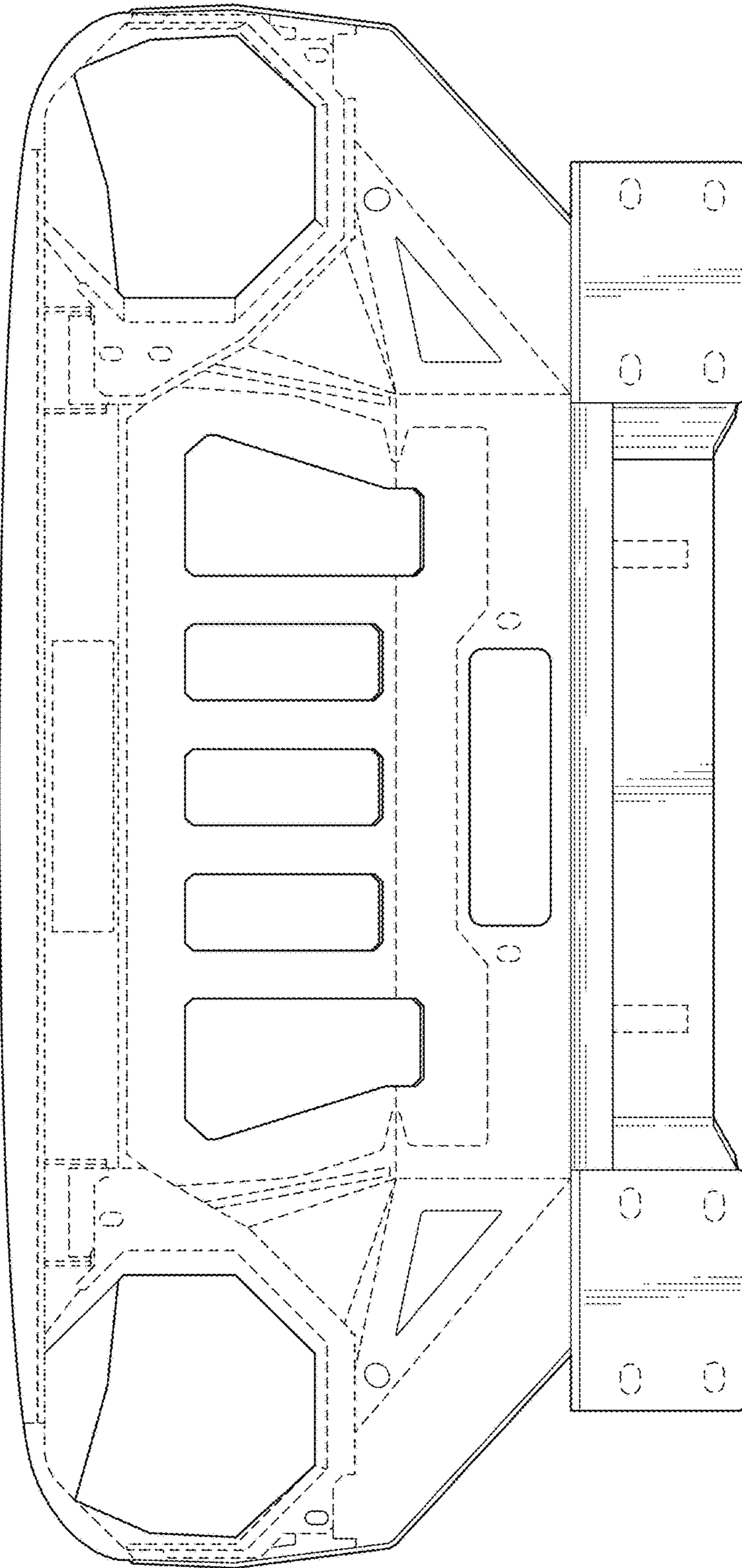


FIG. 5

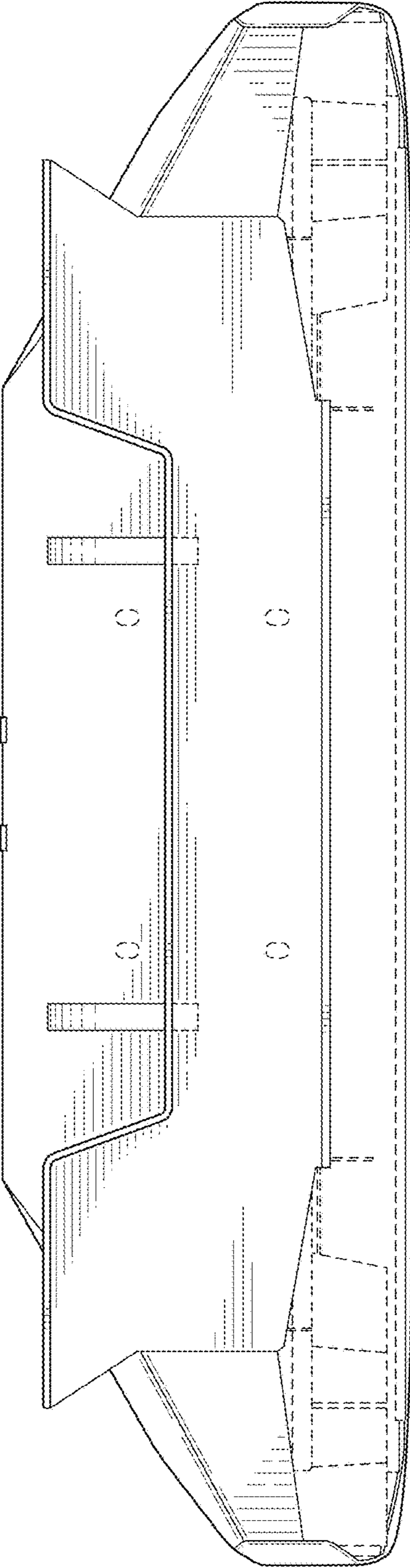


FIG. 6