



US00D775013S

(12) **United States Design Patent**
Bennett et al.

(10) **Patent No.:** **US D775,013 S**

(45) **Date of Patent:** **** Dec. 27, 2016**

(54) **FRONT BUMPER FOR A VEHICLE**

(71) Applicant: **Omix-Ada, Inc.**, Suwanee, GA (US)

(72) Inventors: **Patrick W. Bennett**, Gainesville, GA (US); **Alain Eboli**, Suwanee, GA (US)

(73) Assignee: **Omix-Ada, Inc.**, Suwanee, GA (US)

(**) Term: **15 Years**

(21) Appl. No.: **29/561,615**

(22) Filed: **Apr. 18, 2016**

Related U.S. Application Data

(62) Division of application No. 29/508,103, filed on Nov. 3, 2014, now Pat. No. Des. 760,133.

(51) **LOC (10) Cl.** **12-16**

(52) **U.S. Cl.**
USPC **D12/169**; D12/171

(58) **Field of Classification Search**
USPC D12/86, 90-92, 163, 169, 171, 196, 216;
293/102, 113, 115, 117, 120; 296/180.1,
296/180.2
CPC B62D 25/02; B62D 25/08; B62D 25/087;
B62D 25/24

See application file for complete search history.

(56) **References Cited**

U.S. PATENT DOCUMENTS

D300,128 S	3/1989	Brennan	
D360,865 S *	8/1995	Hanson	D12/169
D375,067 S	10/1996	Bronstein	
D432,469 S	10/2000	Nelson	
D454,098 S *	3/2002	McGuinness	D12/171
D454,099 S	3/2002	McGuinness	
D454,525 S	3/2002	McGuinness	
D454,817 S	3/2002	McGuinness	
D455,684 S	4/2002	McGuinness	
D455,988 S *	4/2002	McGuinness	D12/171

D460,030 S *	7/2002	Duckett	D12/169
D502,433 S *	3/2005	McClanahan	D12/169
D590,752 S *	4/2009	Williams	D12/169
7,703,834 B1 *	4/2010	Hardy	B60R 9/06 296/102
D713,305 S *	9/2014	Sperling	D12/169
D722,927 S	2/2015	Schroeder	
D737,181 S	8/2015	Smith	
D743,856 S	11/2015	Ma	
D744,384 S *	12/2015	Harriton	D12/169

(Continued)

OTHER PUBLICATIONS

“Off Road Truck Bumper Buyer’s Guide.” Four Wheeler., Aug. 1, 2007 [online], [retrieved on Aug. 30, 2016]. Retrieved from the Internet <URL: <http://www.fourwheeler.com/how-to/0808or-off-road-truck-bumper-buyers-guide/>>.*

(Continued)

Primary Examiner — Darlington Ly

(74) *Attorney, Agent, or Firm* — Womble Carlyle Sandridge & Rice LLP

(57) **CLAIM**

The ornamental design for a front bumper for a vehicle, as shown and described.

DESCRIPTION

FIG. 1 is a perspective view of a front bumper for a vehicle showing our new design.

FIG. 2 is a front view thereof.

FIG. 3 is a back view thereof.

FIG. 4 is a top view thereof.

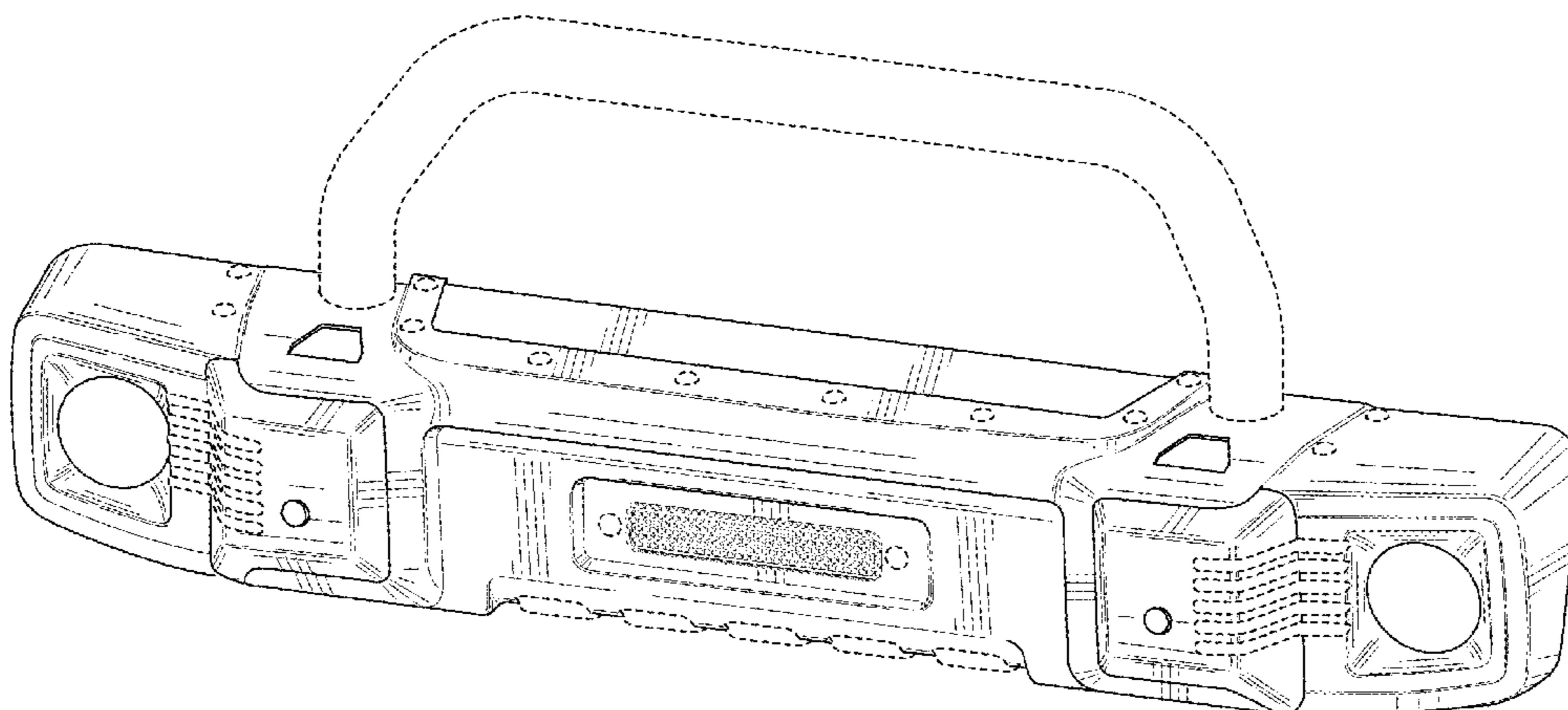
FIG. 5 is a bottom view thereof.

FIG. 6 is a left side view thereof; and,

FIG. 7 is a right side view thereof.

The broken lines illustrate portions of the front bumper for a vehicle that form no part of the claimed design.

1 Claim, 5 Drawing Sheets



(56)

References Cited

U.S. PATENT DOCUMENTS

D744,387 S * 12/2015 Harriton D12/169
D751,012 S * 3/2016 Hare D12/169
D760,133 S * 6/2016 Bennett D12/171
2006/0192398 A1 8/2006 Buniewicz
2009/0302623 A1* 12/2009 Finney B60R 19/52
293/115

OTHER PUBLICATIONS

“Front Bumper Replacement.” Full Size Chevy., Dec. 16, 2010 [online], [retrieved on Aug. 30, 2016]. Retrieved from the Internet <URL: <http://www.fullsizechevy.com/forum/showthread.php?459687-Front-Bumper-Replacement>>.*
“My Build Thread.” F150 Forum., Jul. 12, 2012 [online], [retrieved on Aug. 30, 2016]. Retrieved from the Internet <URL: <http://www.f150forum.com/f78/my-build-thread-122171/index122/#post1866793>>.*

* cited by examiner

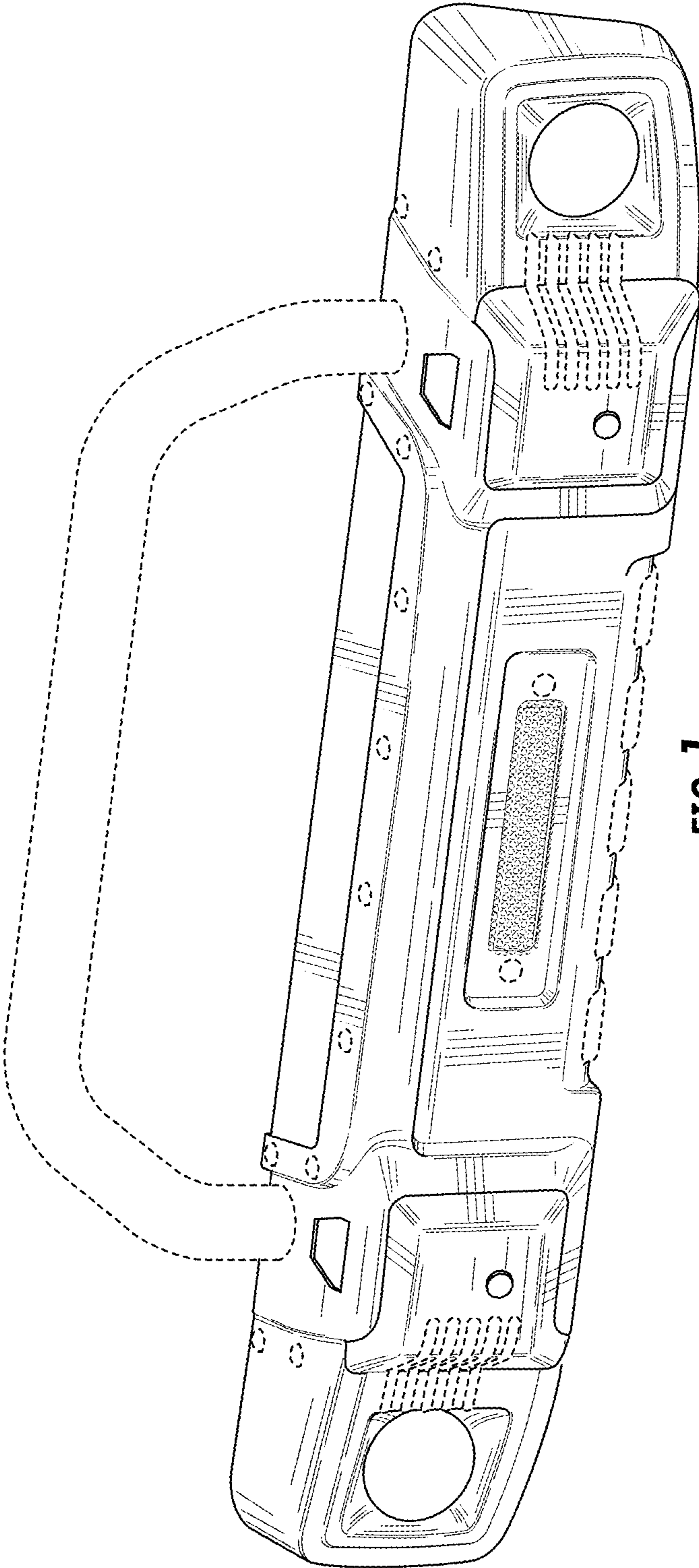


FIG. 1

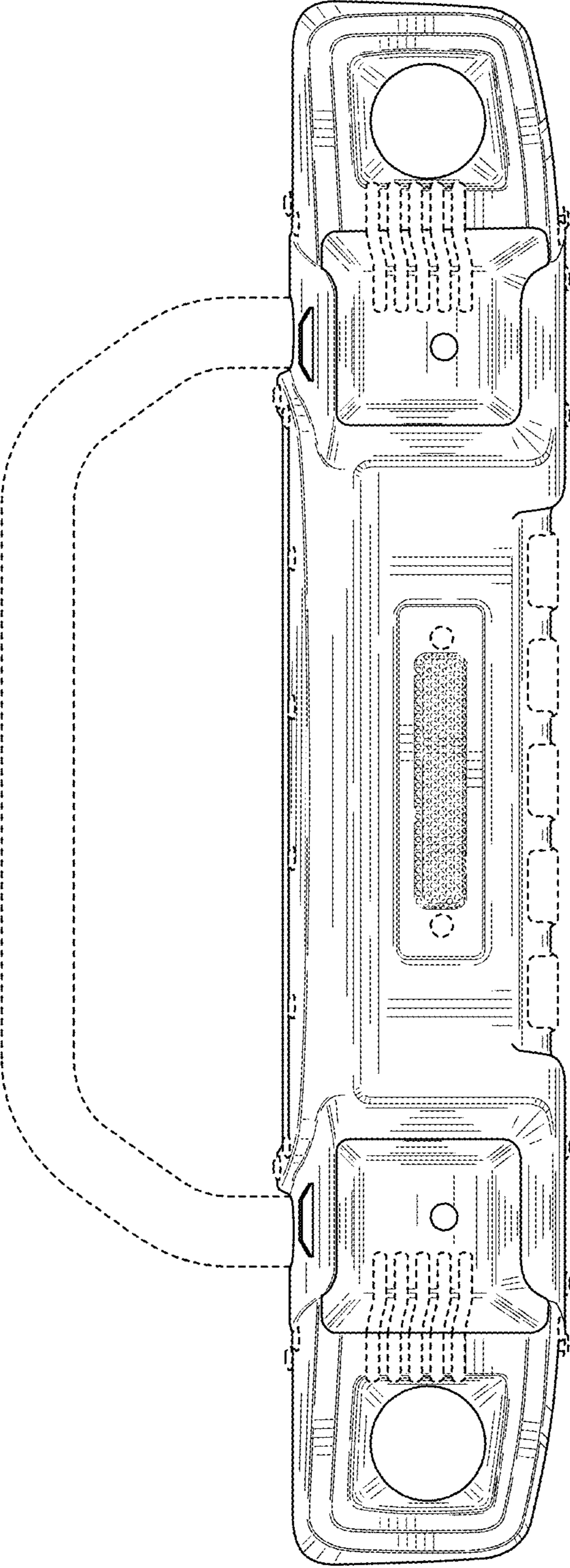


FIG. 2

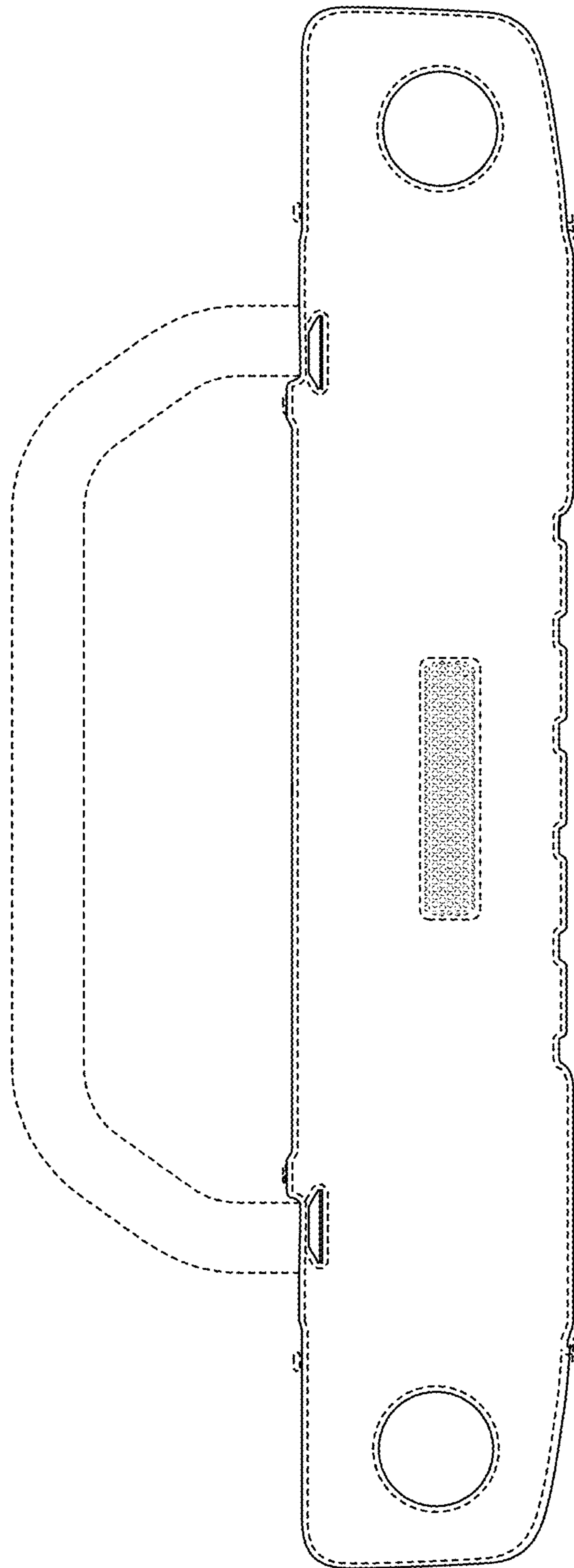


FIG. 3

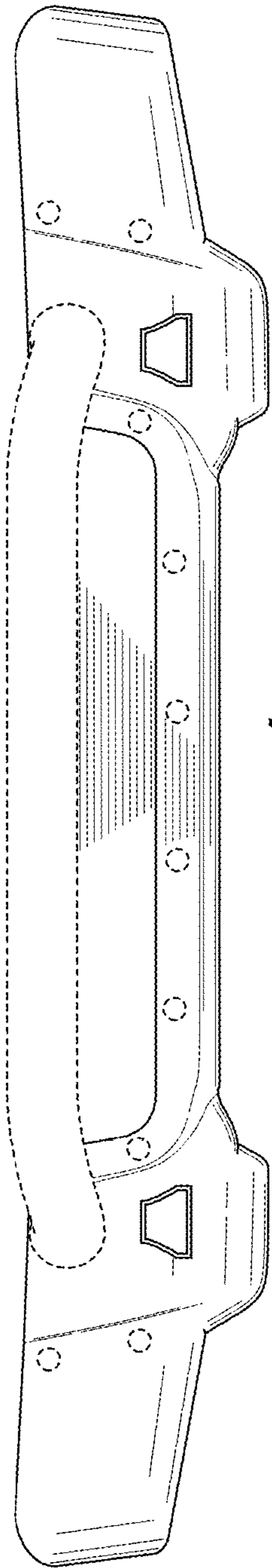


FIG. 4

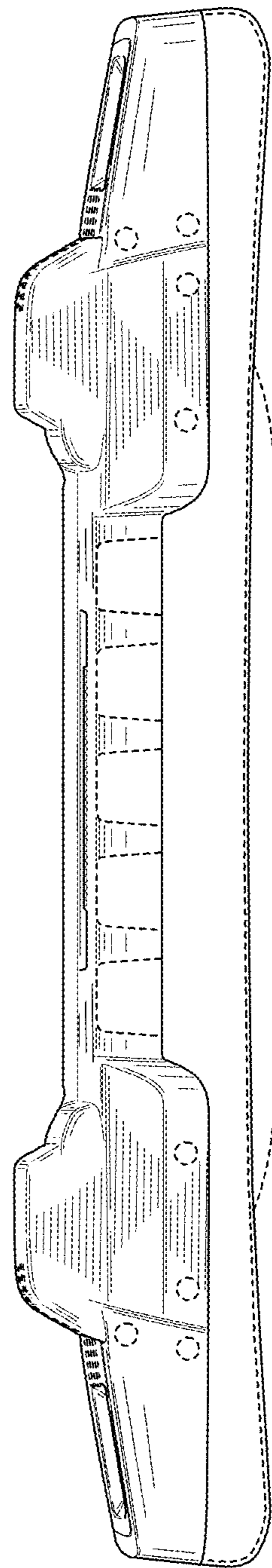


FIG. 5

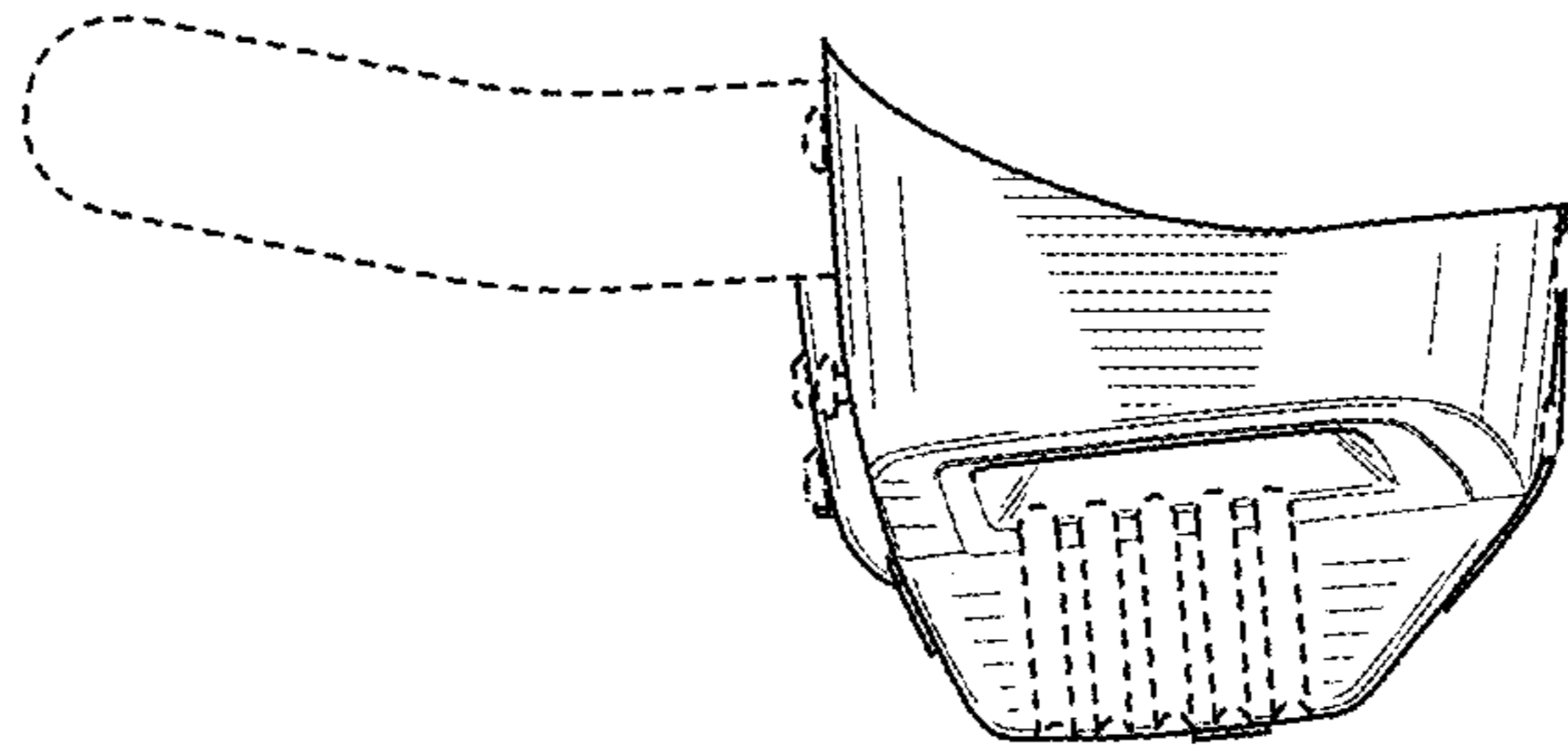


FIG. 7

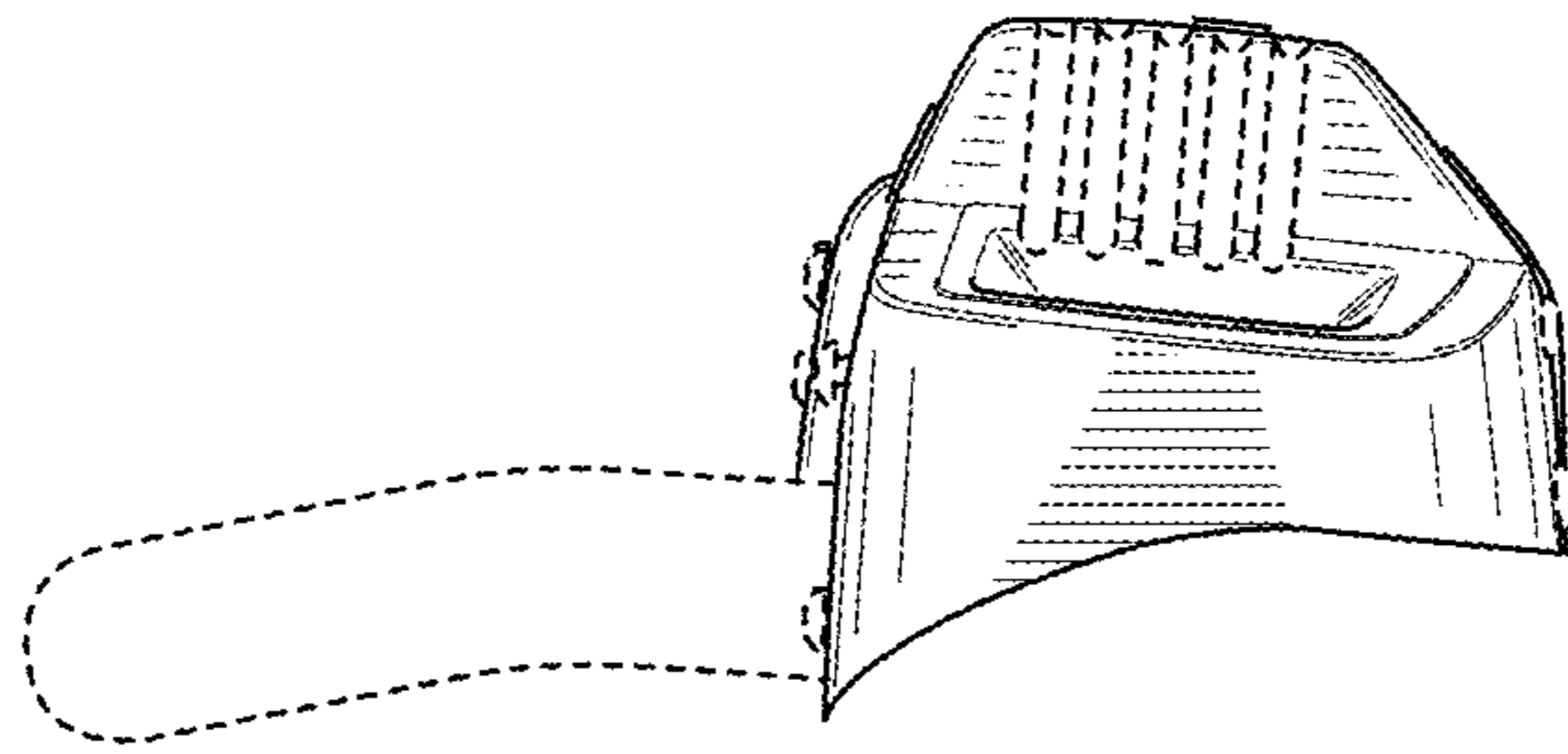


FIG. 6