



US00D775009S

(12) **United States Design Patent**
Baum

(10) **Patent No.:** **US D775,009 S**

(45) **Date of Patent:** **** Dec. 27, 2016**

(54) **MOTOR VEHICLE FRONT BUMPER**

(71) Applicant: **Dr. Ing. h.c. F. Porsche**
Aktiengesellschaft, Stuttgart (DE)

(72) Inventor: **Benjamin Baum, Stuttgart (DE)**

(73) Assignee: **Dr. Ing. h.c. F. Porsche**
Aktiengesellschaft, Stuttgart (DE)

(**) Term: **14 Years**

(21) Appl. No.: **29/524,200**

(22) Filed: **Apr. 17, 2015**

(30) **Foreign Application Priority Data**

Oct. 20, 2014 (DE) 40 2014 100 999

(51) **LOC (10) Cl.** **12-16**

(52) **U.S. Cl.**
USPC **D12/169**

(58) **Field of Classification Search**
USPC D12/86, 90, 91, 92, 163, 164, 169, 171,
D12/196, 216; 180/68.4, 68.6; 293/102,
293/112, 113, 115, 117, 120; 296/180.1,
296/180.2

CPC B60R 19/02; B60R 19/18; B60R 19/24;
B60R 19/56; B60R 2019/007

See application file for complete search history.

(56) **References Cited**

U.S. PATENT DOCUMENTS

D425,843 S * 5/2000 Hayashi D12/196
D437,812 S * 2/2001 Lai D12/169
D556,650 S * 12/2007 Murkett D12/169
D561,660 S * 2/2008 Tabata D12/169
D578,451 S * 10/2008 Jodo D12/169

D588,506 S * 3/2009 Maeda D12/169
D590,307 S * 4/2009 Saracoglu D12/169
D592,566 S * 5/2009 Saracoglu D12/169
D610,955 S * 3/2010 Kulla D12/169
D659,606 S 5/2012 Varga
D666,130 S 8/2012 Varga
D668,594 S * 10/2012 Davidson D12/169
D680,041 S * 4/2013 Frei D12/169
D684,099 S * 6/2013 McCabe D12/169
D684,904 S * 6/2013 Tase D12/169
D686,118 S * 7/2013 Thurber D12/169
D688,988 S 9/2013 Varga
D703,118 S * 4/2014 Gueler D12/169
2009/0115205 A1 * 5/2009 Steller B60R 19/12
293/115
2012/0292931 A1 * 11/2012 Mizoguchi B60R 19/24
293/102

* cited by examiner

Primary Examiner — Darlington Ly

(74) *Attorney, Agent, or Firm* — RatnerPrestia

(57) **CLAIM**

The ornamental design for a motor vehicle front bumper, as shown and described.

DESCRIPTION

FIG. 1 is a perspective view of a motor vehicle front bumper showing my new design;

FIG. 2 is a front elevation view thereof;

FIG. 3 is a left side elevation view thereof;

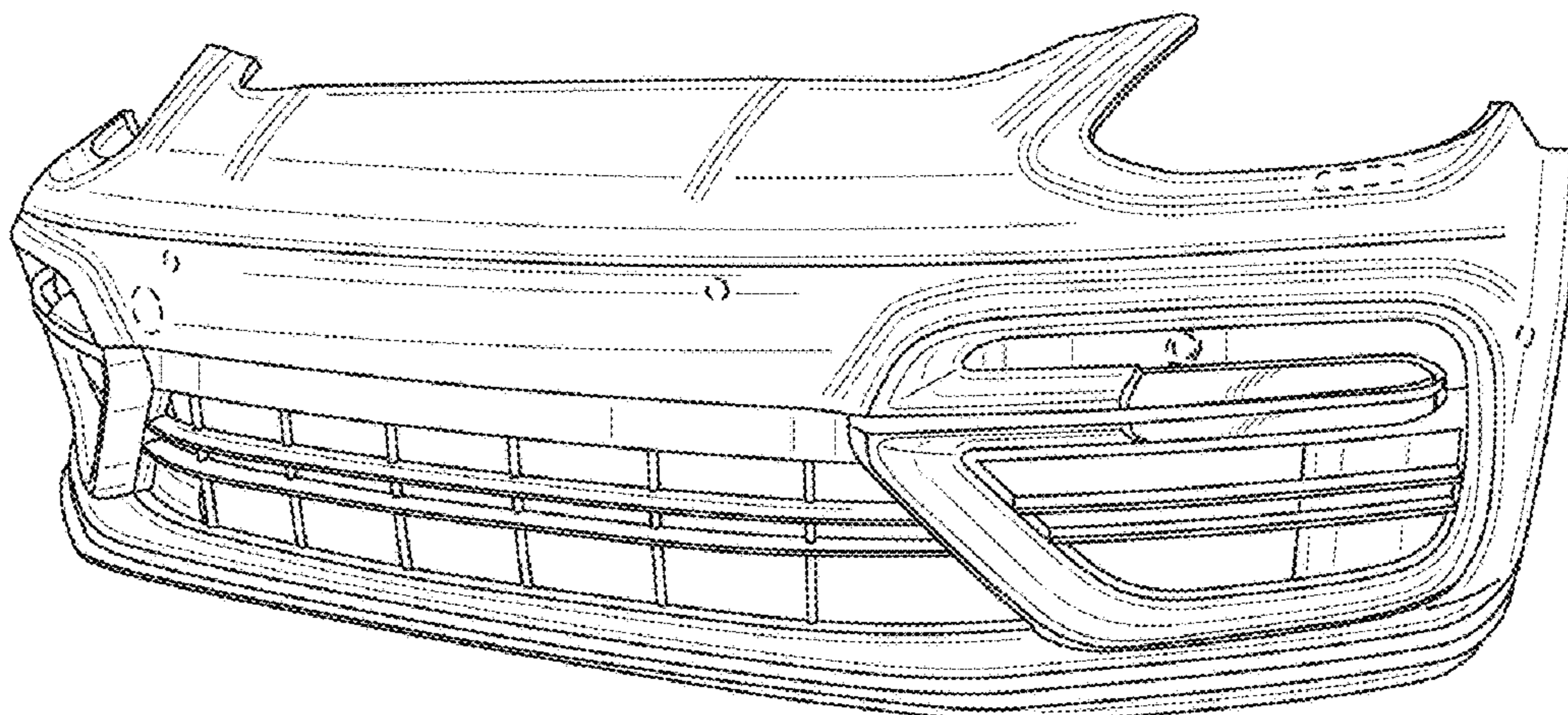
FIG. 4 is a right side elevation view thereof;

FIG. 5 is a top plan view thereof; and,

FIG. 6 is a bottom plan view thereof.

The broken lines in the drawings illustrate portions of the motor vehicle front bumper that forms no part of the claimed design.

1 Claim, 4 Drawing Sheets



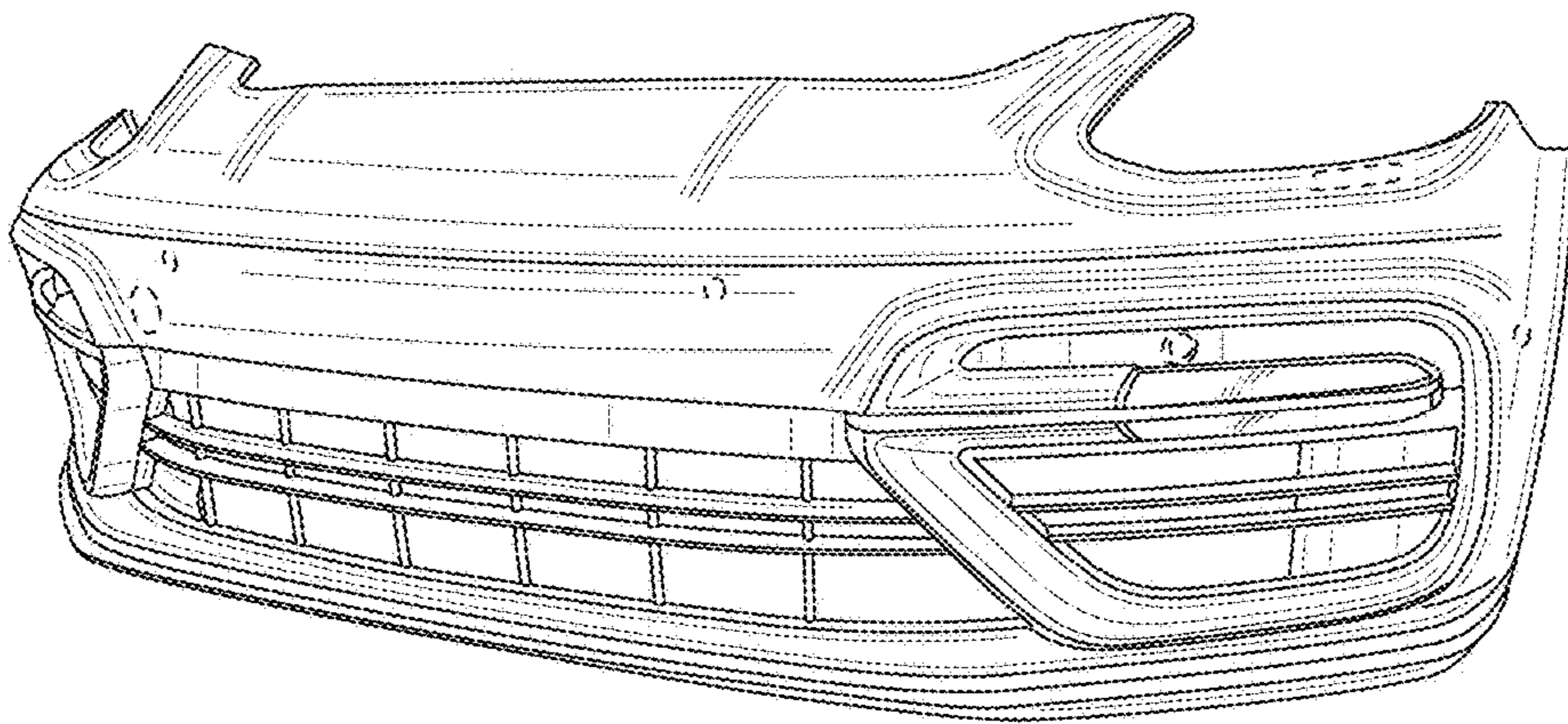


FIG. 1

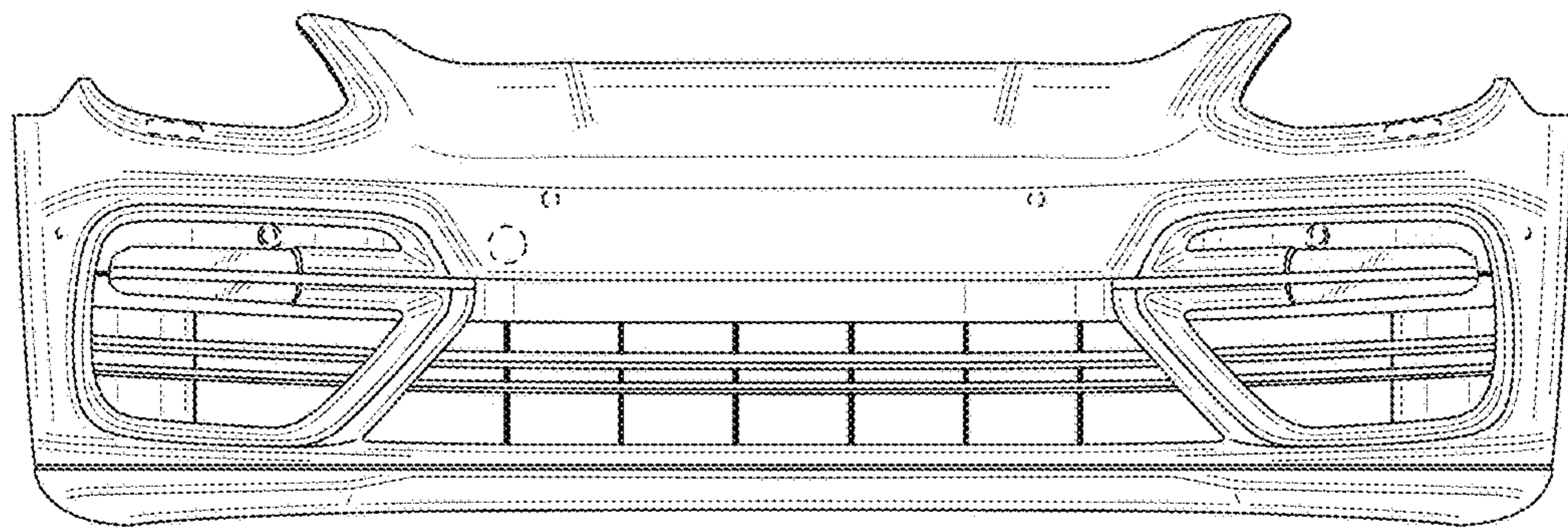


FIG. 2

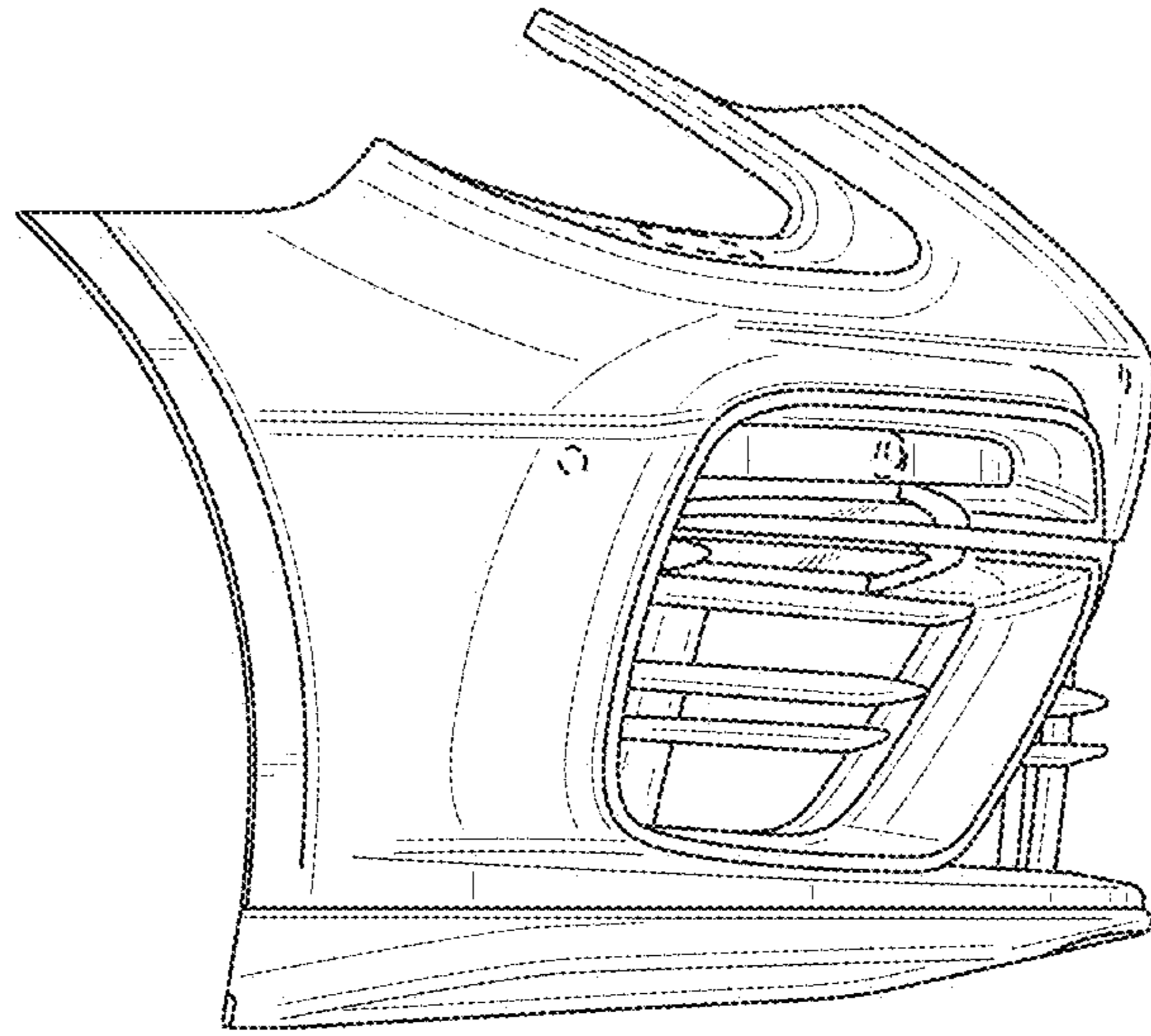


FIG. 3

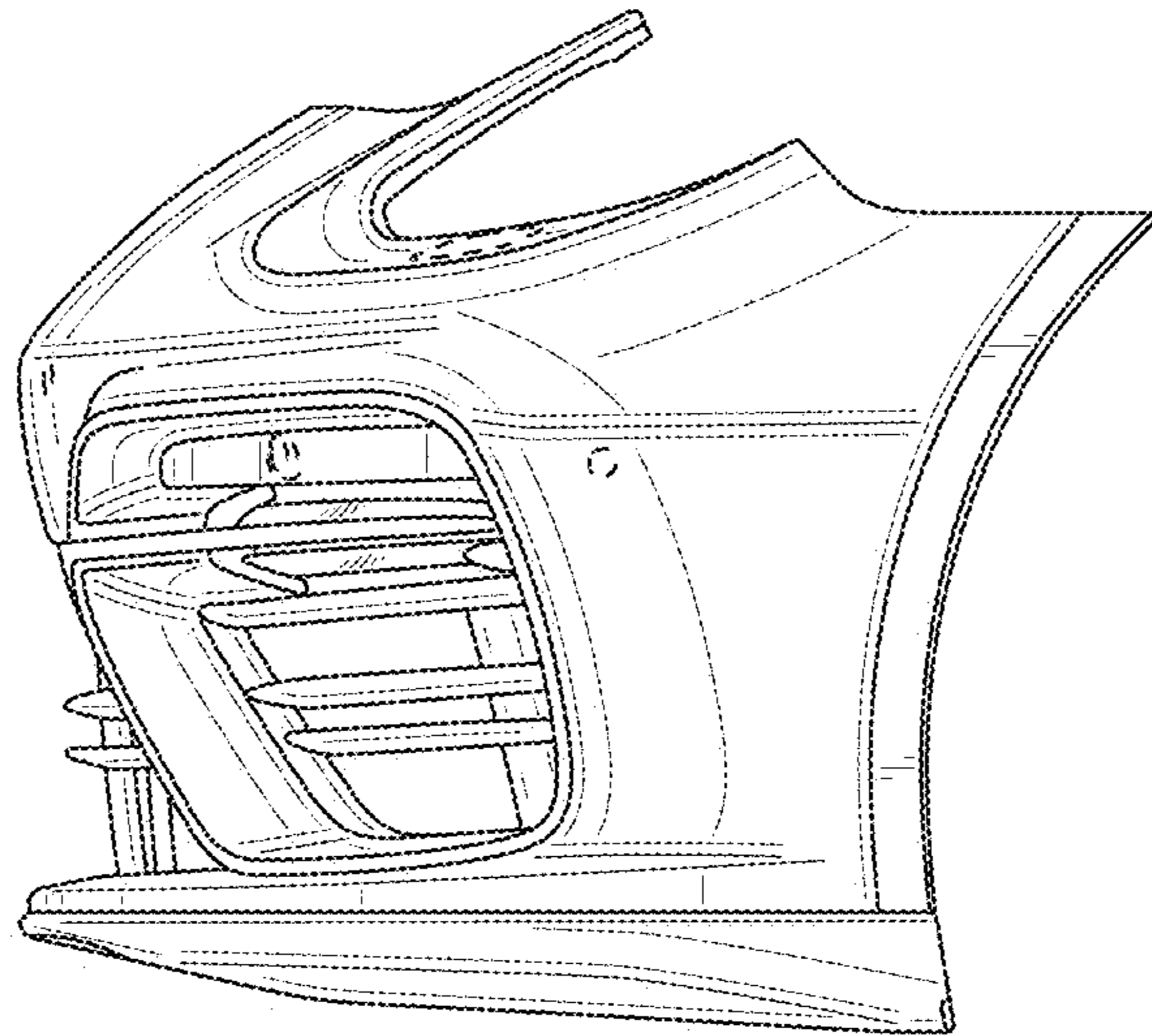


FIG. 4

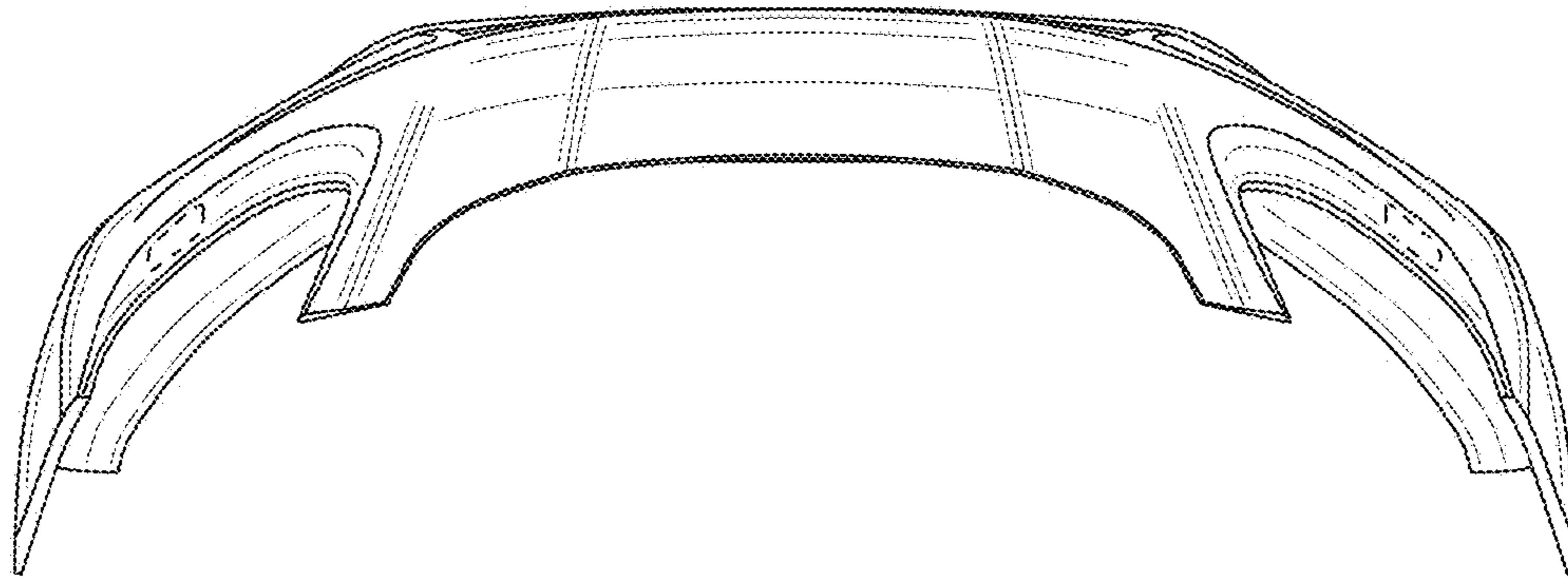


FIG. 5

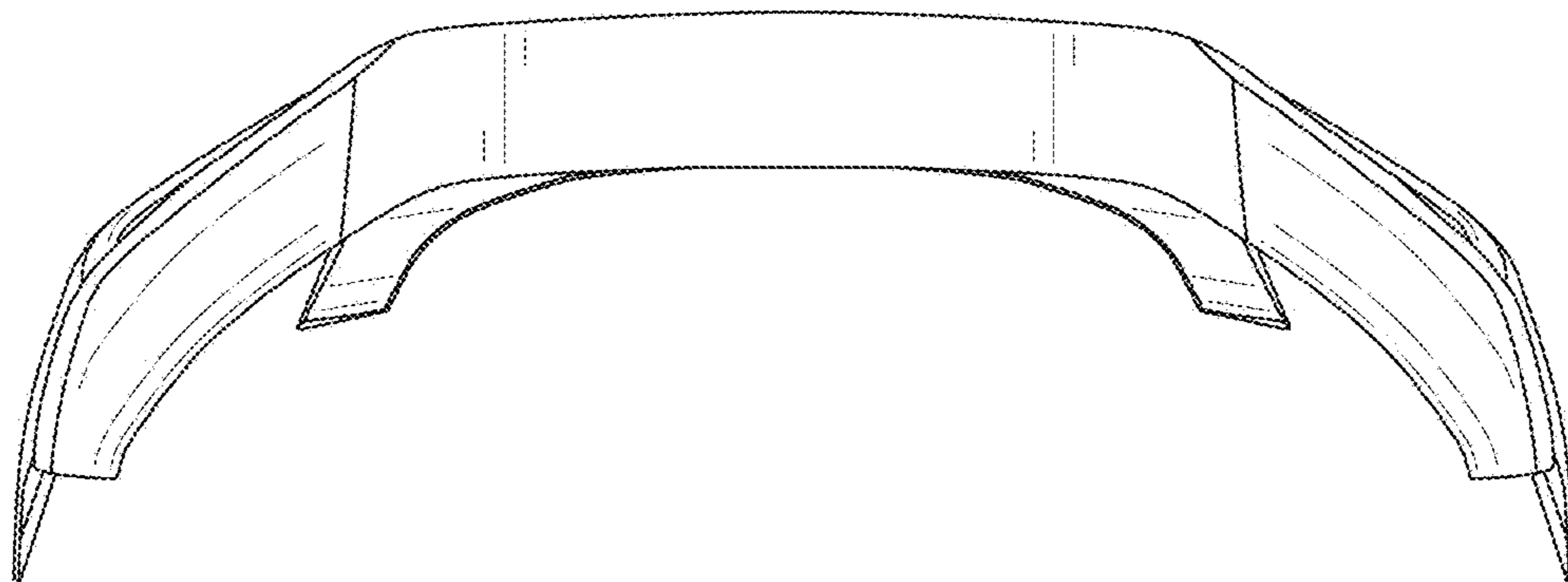


FIG. 6