



US00D775001S

(12) **United States Design Patent** (10) **Patent No.:** **US D775,001 S**
Platto et al. (45) **Date of Patent:** **** Dec. 27, 2016**

(54) **VEHICLE FRONT UPPER GRILLE**
(71) Applicant: **Ford Motor Company**, Dearborn, MI (US)
(72) Inventors: **Gordon Platto**, Troy, MI (US); **Sean Tant**, Livonia, MI (US); **William K. Moore**, West Bloomfield, MI (US)

D685,697 S * 7/2013 Platto D12/163
D703,111 S * 4/2014 Platto D12/163
D721,302 S * 1/2015 Platto D12/163
D730,252 S * 5/2015 Platto D12/163
D730,784 S * 6/2015 Platto D12/163
D754,572 S * 4/2016 McMahan D12/163
2011/0005851 A1* 1/2011 Doroghazi B60K 11/085 180/68.1

(73) Assignee: **Ford Motor Company**, Dearborn, MI (US)

(**) Term: **15 Years**

(21) Appl. No.: **29/537,774**

(22) Filed: **Aug. 28, 2015**

(51) **LOC (10) Cl.** **12-16**

(52) **U.S. Cl.**
USPC **D12/163**

(58) **Field of Classification Search**
USPC D12/86, 90, 91, 92, 163, 169, 196, 171, D12/216; D15/31; 180/68.1, 68.6; 293/103, 115, 117, 120, 193.1, 193.11
CPC . B60R 19/52; B60R 2019/525; B60K 11/085; B62D 25/084; H01Q 1/32
See application file for complete search history.

(56) **References Cited**

U.S. PATENT DOCUMENTS

D533,815 S * 12/2006 Matei D12/163
D570,258 S * 6/2008 Smith D12/163
D580,310 S * 11/2008 Tant D12/163
D580,312 S * 11/2008 Opfer D12/163
D585,796 S * 2/2009 Nagasaka D12/163
D607,787 S * 1/2010 Golden D12/163

OTHER PUBLICATIONS

“Introducing The All-New 2017 Super Duty—Preview Guide.” Ford Electronic Brochure., Sep. 24, 2015 [online], [retrieved on Jun. 20, 2016]. Retrieved from the Internet <URL: http://www.allstatetrucks.com/images/2017%20super%20duty%20preview_guide.pdf>.*

* cited by examiner

Primary Examiner — Darlington Ly

(74) *Attorney, Agent, or Firm* — Damian Porcari

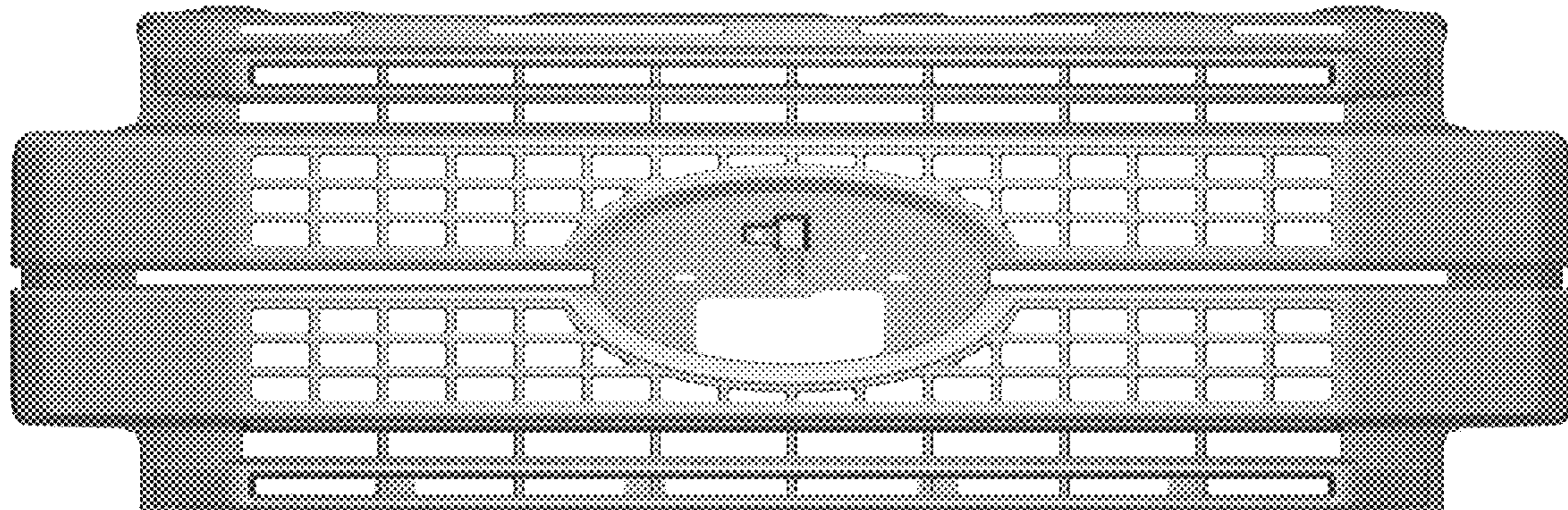
(57) **CLAIM**

The ornamental design for a vehicle front upper grille, as shown and described.

DESCRIPTION

FIG. 1 is a top left perspective view of a vehicle front upper grille;
FIG. 2 is a top right perspective view thereof;
FIG. 3 is a top rear perspective view thereof;
FIG. 4 is a front elevational view thereof;
FIG. 5 is a rear elevational view thereof;
FIG. 6 is a left side elevational view thereof;
FIG. 7 is a right side elevational view thereof;
FIG. 8 is a top plan view thereof; and,
FIG. 9 is a bottom plan view thereof.

1 Claim, 9 Drawing Sheets



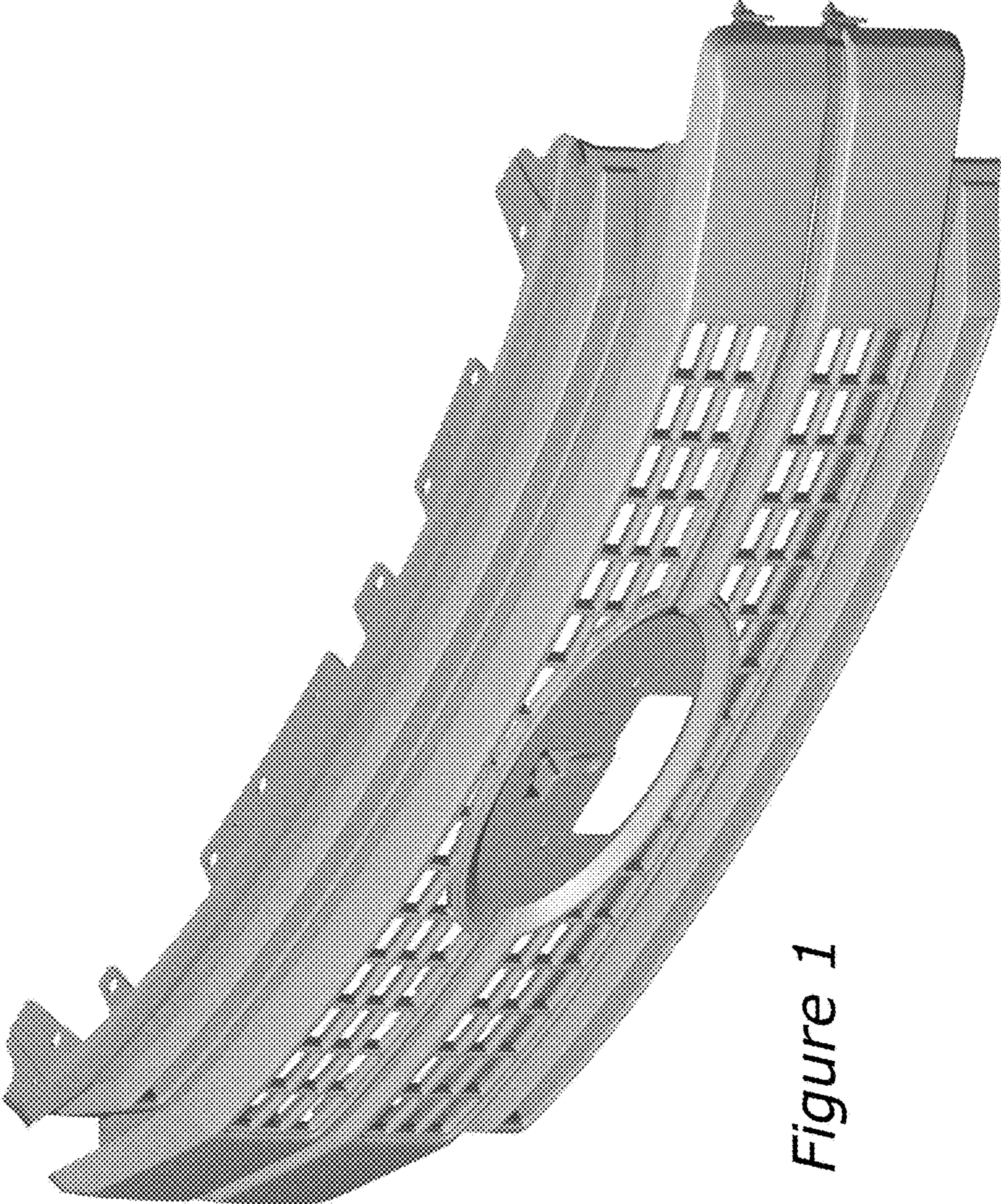


Figure 1

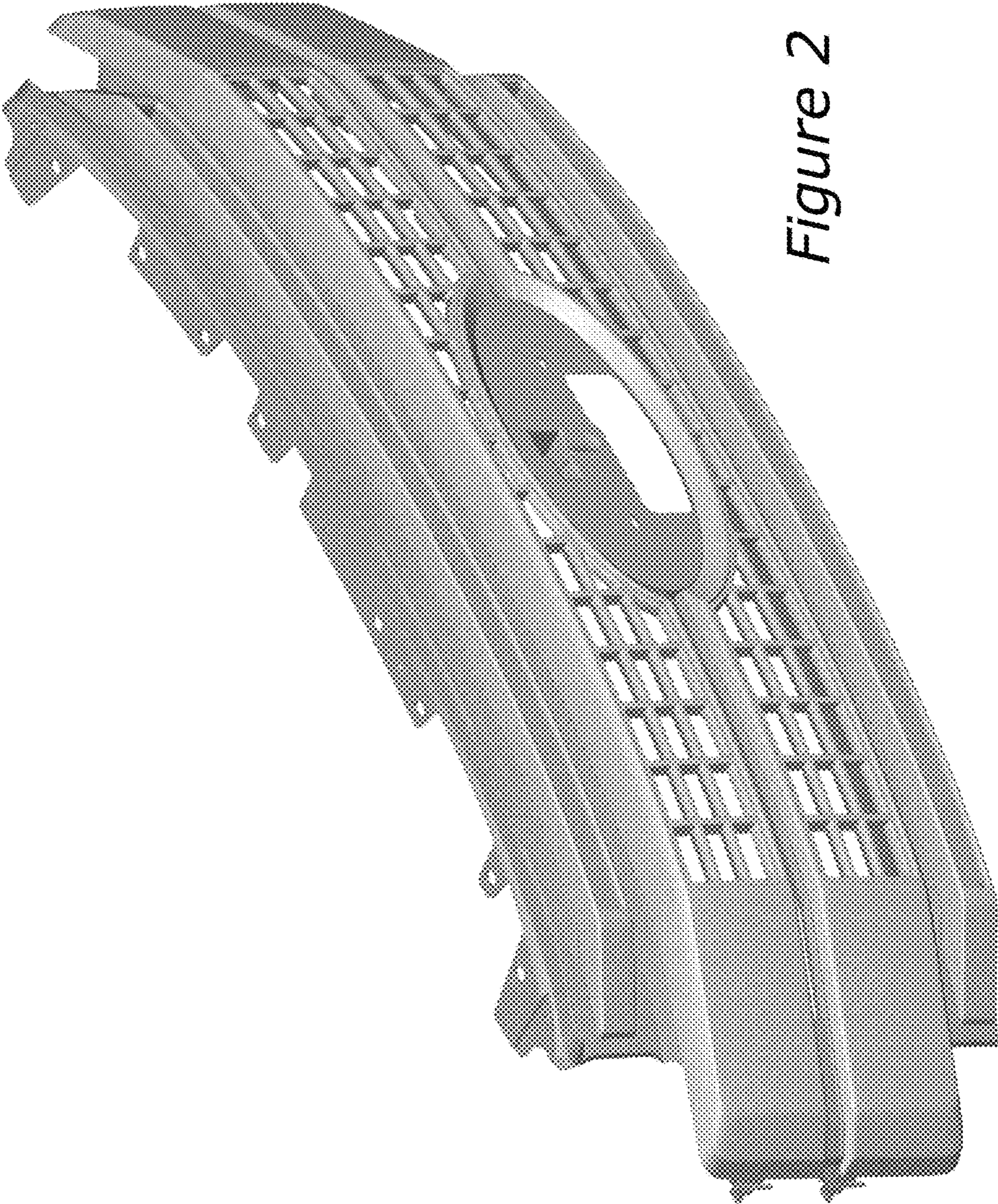


Figure 2

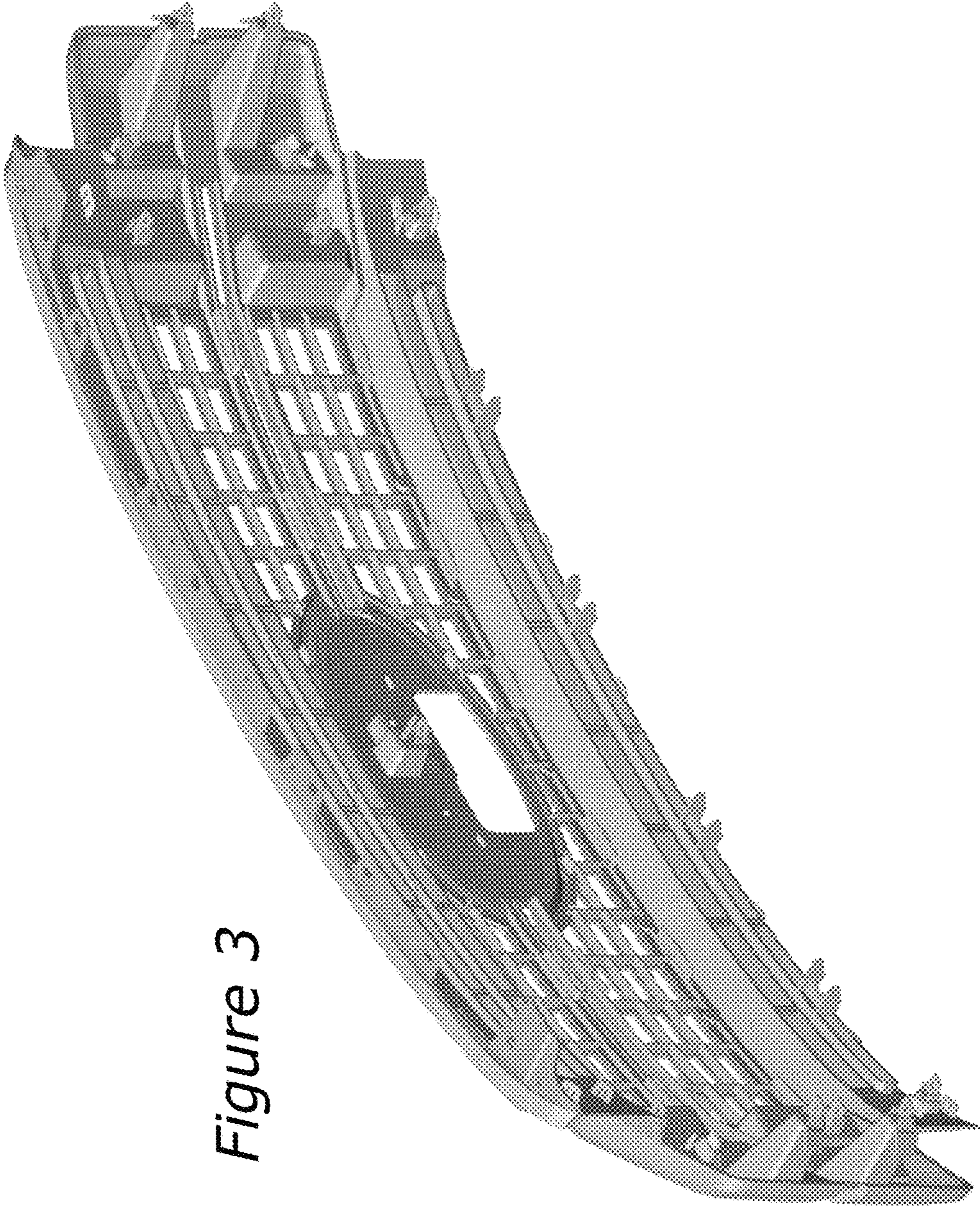


Figure 3

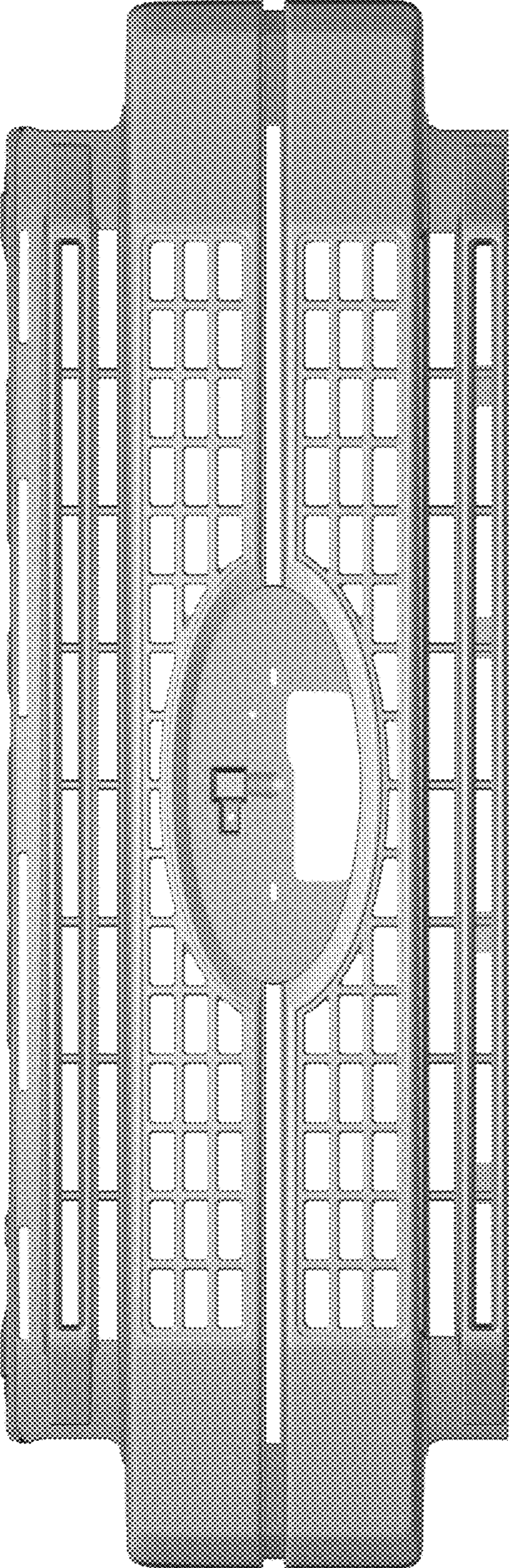


Figure 4

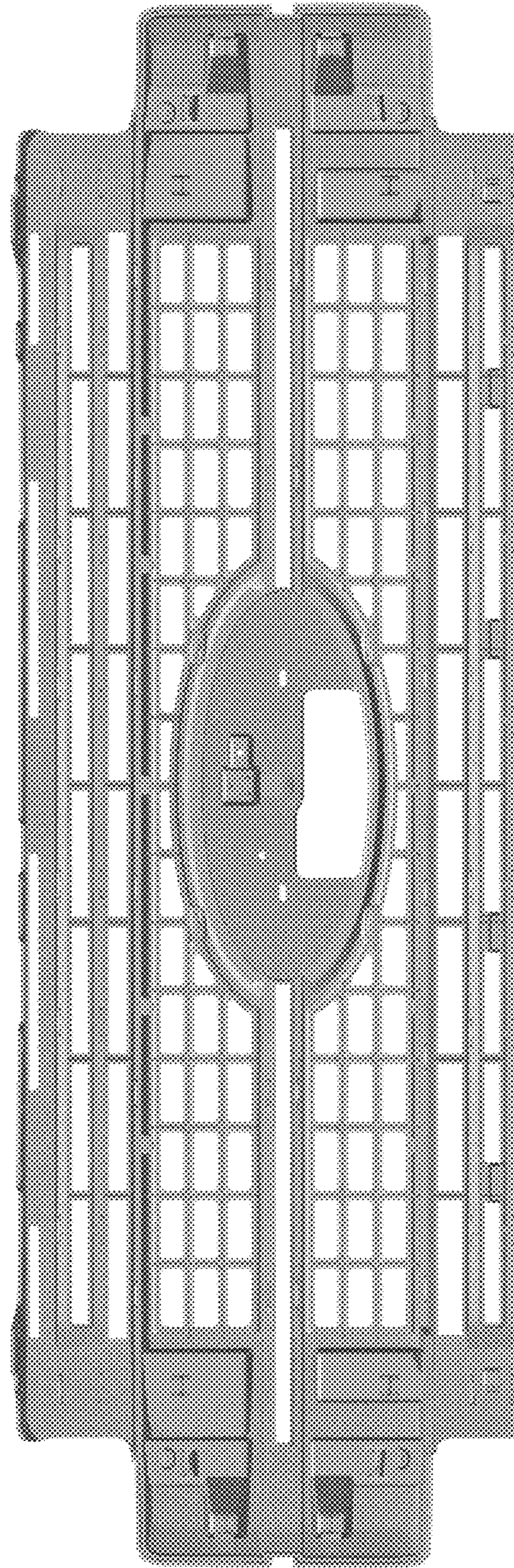


Figure 5

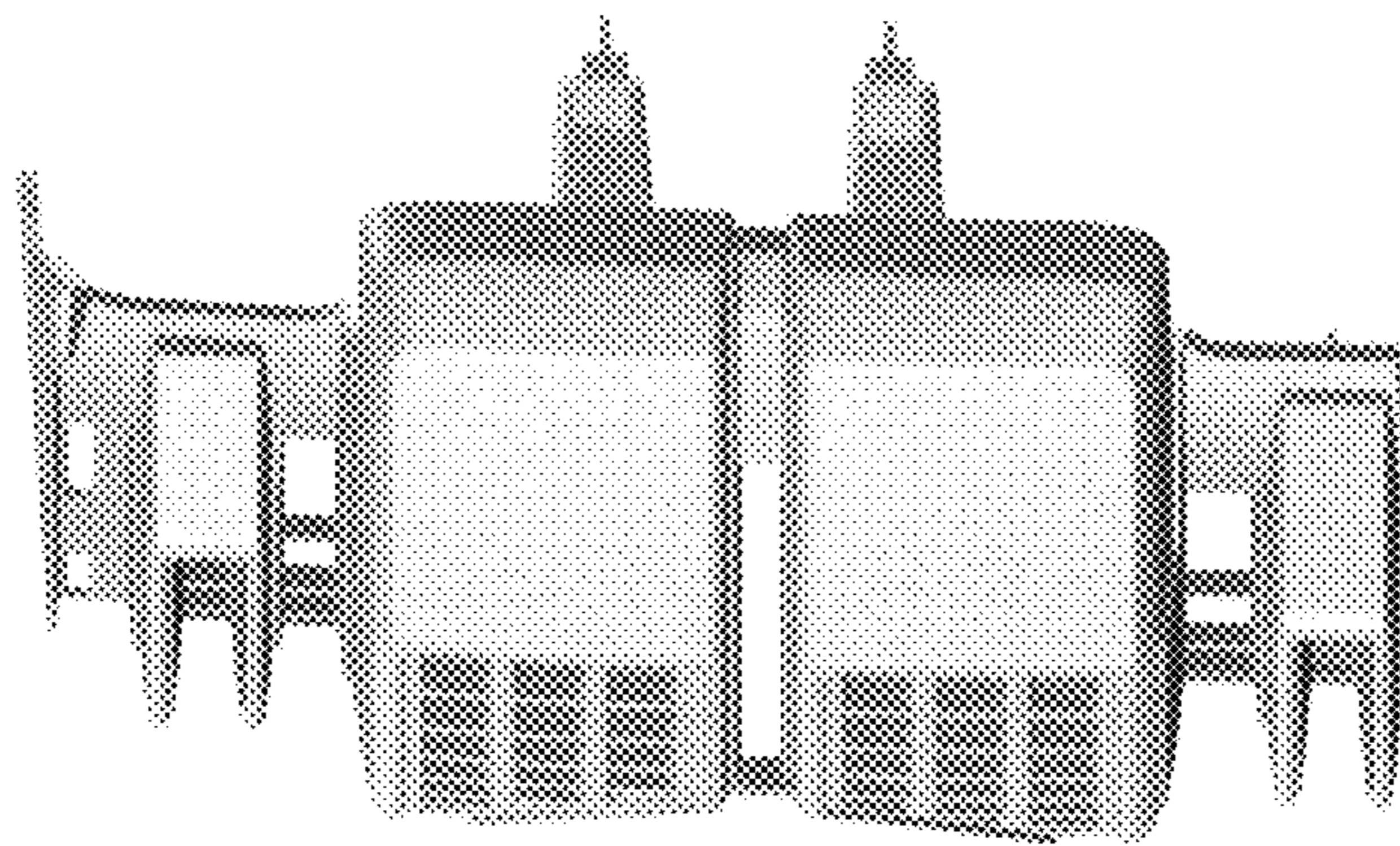


Figure 6

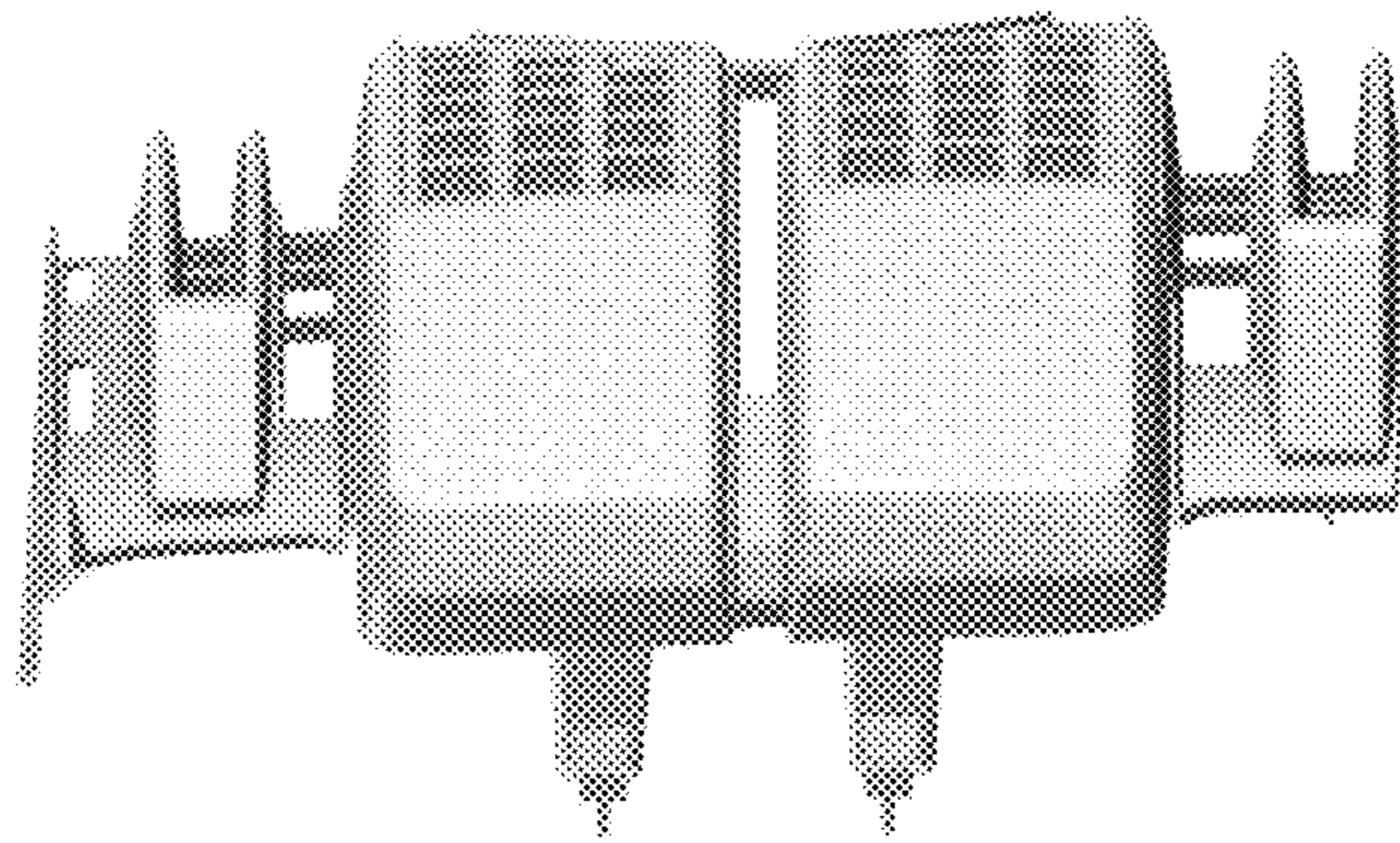


Figure 7

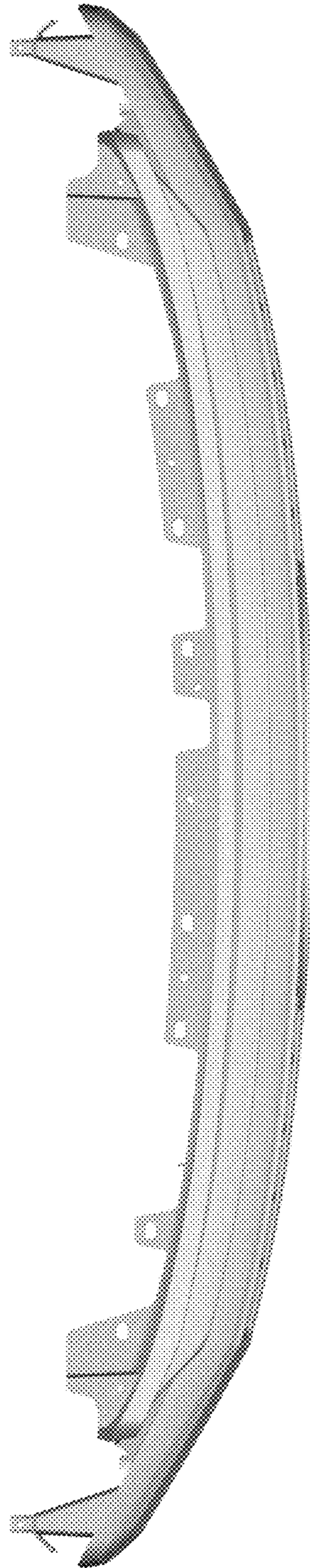


Figure 8

Figure 9

