



US00D775000S

(12) **United States Design Patent** (10) **Patent No.:** **US D775,000 S**  
**Platto et al.** (45) **Date of Patent:** **\*\* Dec. 27, 2016**

(54) **VEHICLE FRONT UPPER GRILLE**

(71) Applicant: **Ford Motor Company**, Dearborn, MI (US)

(72) Inventors: **Gordon Platto**, Troy, MI (US); **Sean Tant**, Livonia, MI (US); **Richard Howard**, Brighton, MI (US)

(73) Assignee: **Ford Motor Company**, Dearborn, MI (US)

(\*\*) Term: **15 Years**

(21) Appl. No.: **29/537,763**

(22) Filed: **Aug. 28, 2015**

(51) **LOC (10) Cl.** ..... **12-16**

(52) **U.S. Cl.**  
USPC ..... **D12/163**

(58) **Field of Classification Search**  
USPC ..... D12/86, 90, 91, 92, 163, 169, 196, 171, D12/216; D15/31; 180/68.1, 68.6; 293/103, 115, 117, 120, 193.1, 193.11  
CPC . B60R 19/52; B60R 2019/525; B60K 11/085; B62D 25/084; H01Q 1/32  
See application file for complete search history.

(56) **References Cited**

U.S. PATENT DOCUMENTS

D533,815 S	*	12/2006	Matei	.....	D12/163
D570,258 S	*	6/2008	Smith	.....	D12/163
D580,310 S	*	11/2008	Tant	.....	D12/163
D580,312 S	*	11/2008	Opfer	.....	D12/163
D585,796 S	*	2/2009	Nagasaka	.....	D12/163
D607,787 S	*	1/2010	Golden	.....	D12/163
D685,697 S	*	7/2013	Platto	.....	D12/163
D703,111 S	*	4/2014	Platto	.....	D12/163

D721,302 S	*	1/2015	Platto	.....	D12/163
D730,252 S	*	5/2015	Platto	.....	D12/163
D730,784 S	*	6/2015	Platto	.....	D12/163
D754,572 S	*	4/2016	McMahan	.....	D12/163
2011/0005851 A1	*	1/2011	Doroghazi	.....	B60K 11/085 180/68.1

OTHER PUBLICATIONS

“Introducing The All-New 2017 Super Duty—Preview Guide.” Ford Electronic Brochure., Sep. 24, 2015 [online], [retrieved on Jun. 20, 2016]. Retrieved from the Internet <URL: [http://www.allstatetrucks.com/images/2017%20super%20duty%20preview\\_guide.pdf](http://www.allstatetrucks.com/images/2017%20super%20duty%20preview_guide.pdf)>.\*

\* cited by examiner

*Primary Examiner* — Darlington Ly

(74) *Attorney, Agent, or Firm* — Damian Porcari

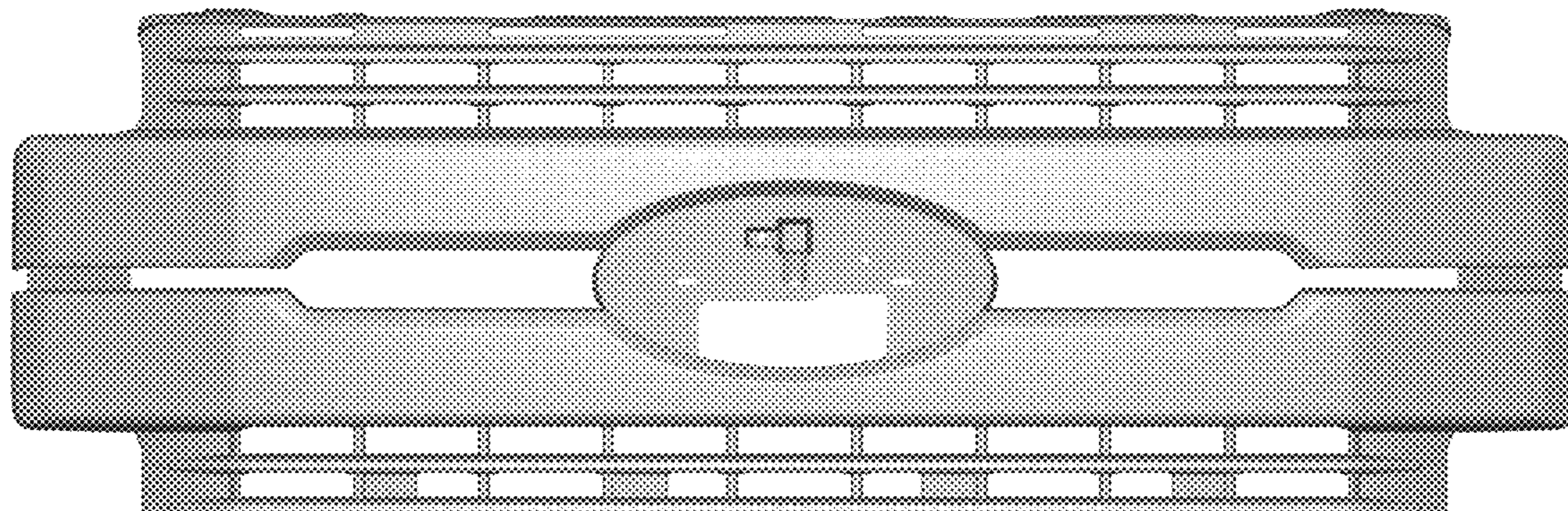
(57) **CLAIM**

The ornamental design for a vehicle front upper grille, as shown and described.

**DESCRIPTION**

FIG. 1 is a top left perspective view of a vehicle front upper grille;  
FIG. 2 is a top right perspective view thereof;  
FIG. 3 is a top rear perspective view thereof;  
FIG. 4 is a front elevational view thereof;  
FIG. 5 is a rear elevational view thereof;  
FIG. 6 is a left side elevational view thereof;  
FIG. 7 is a right side elevational view thereof;  
FIG. 8 is a top plan view thereof; and,  
FIG. 9 is a bottom plan view thereof.

**1 Claim, 9 Drawing Sheets**



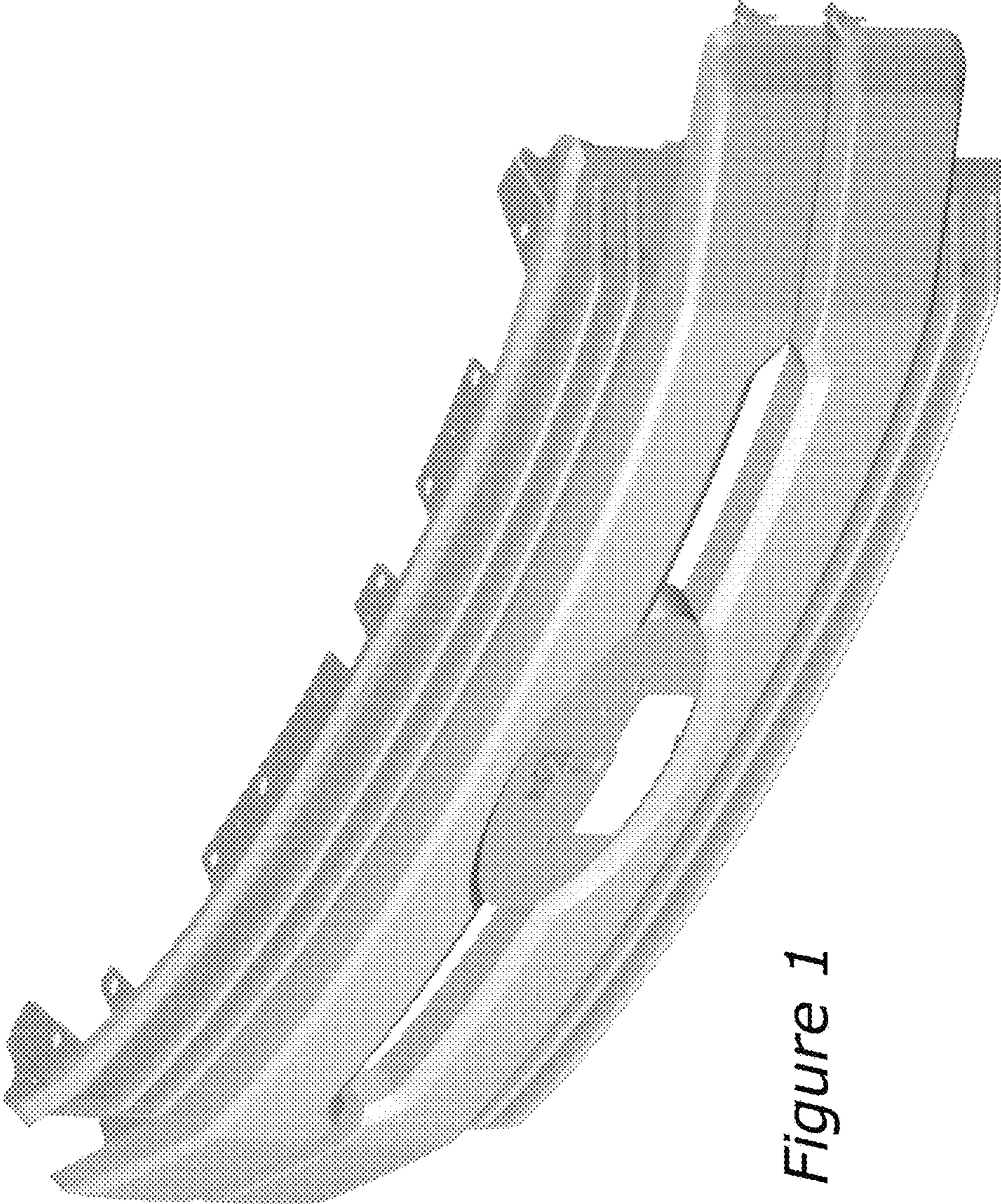


Figure 1



Figure 2

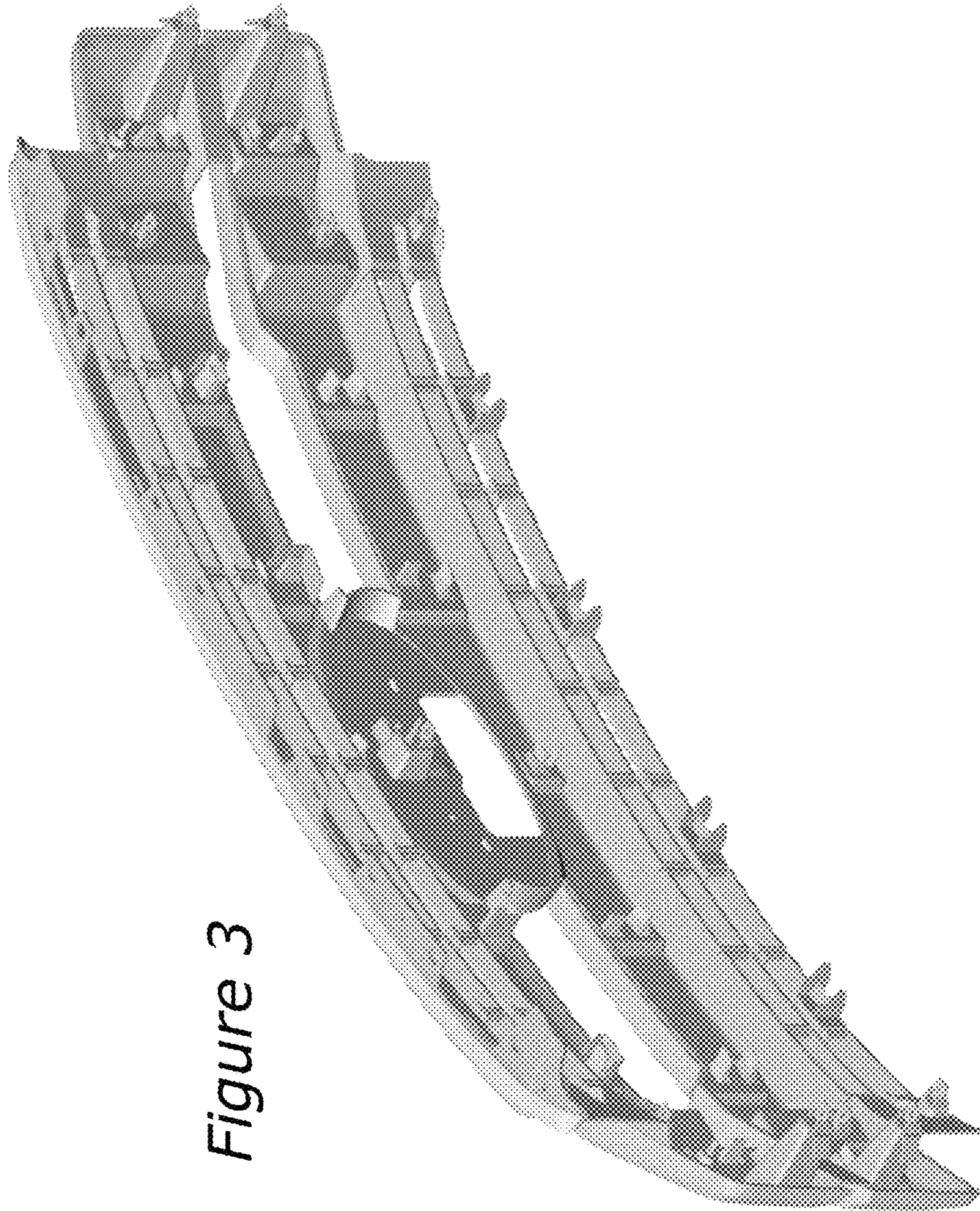


Figure 3

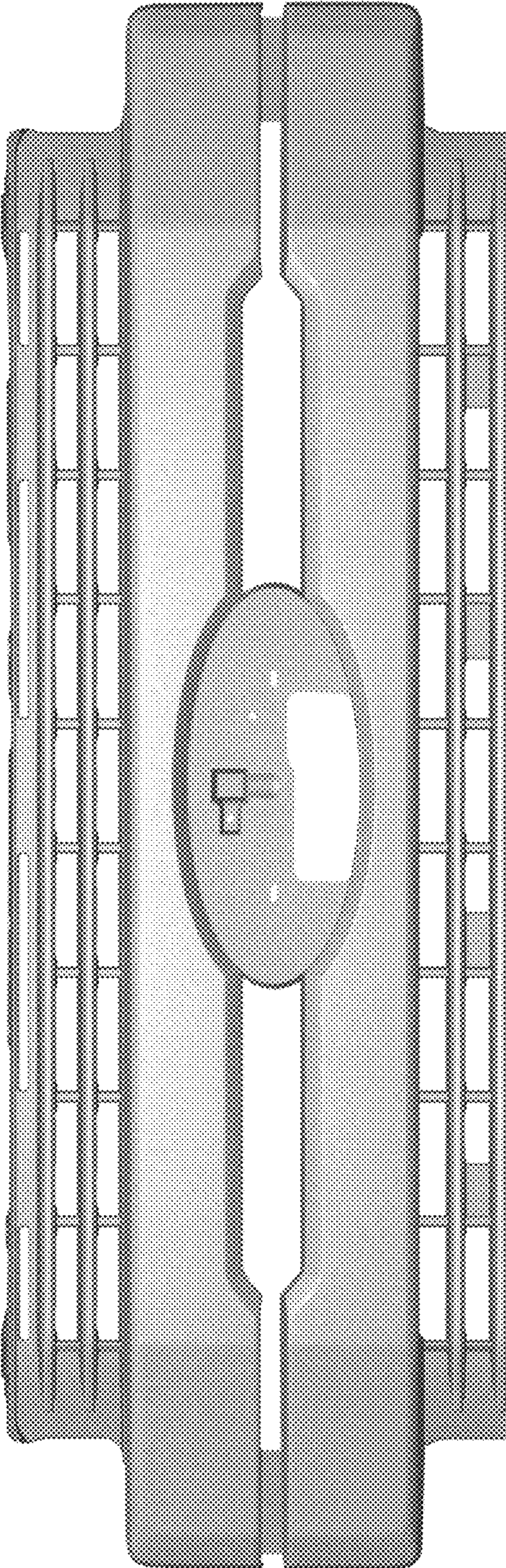


Figure 4

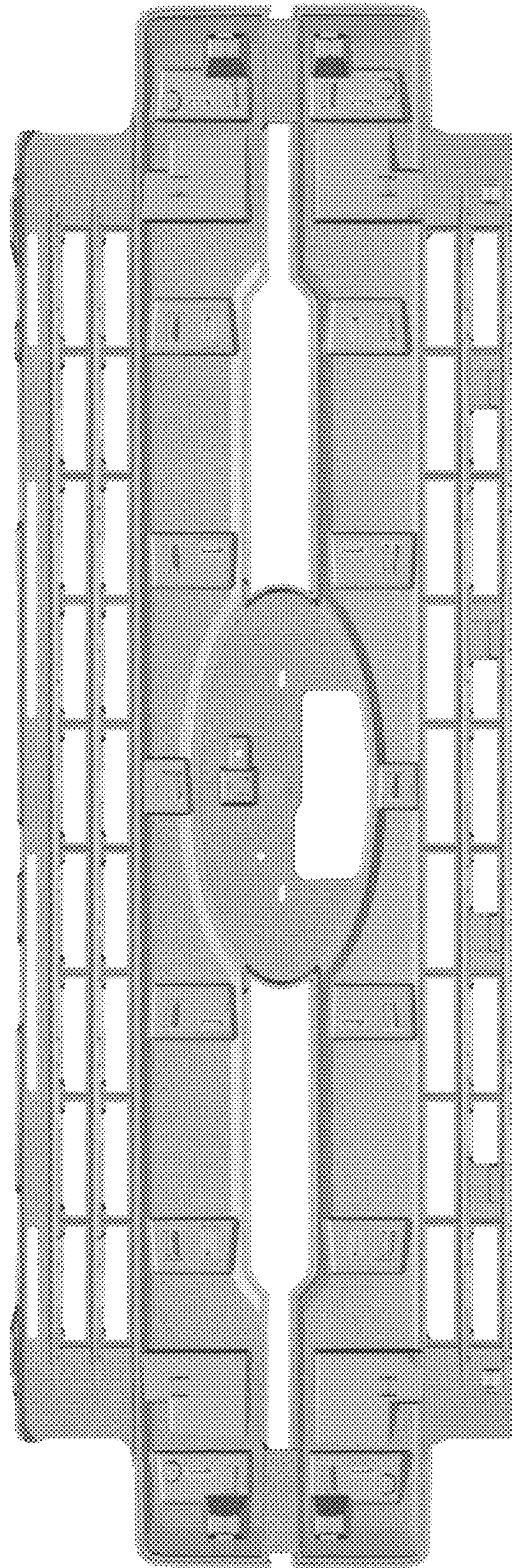


Figure 5

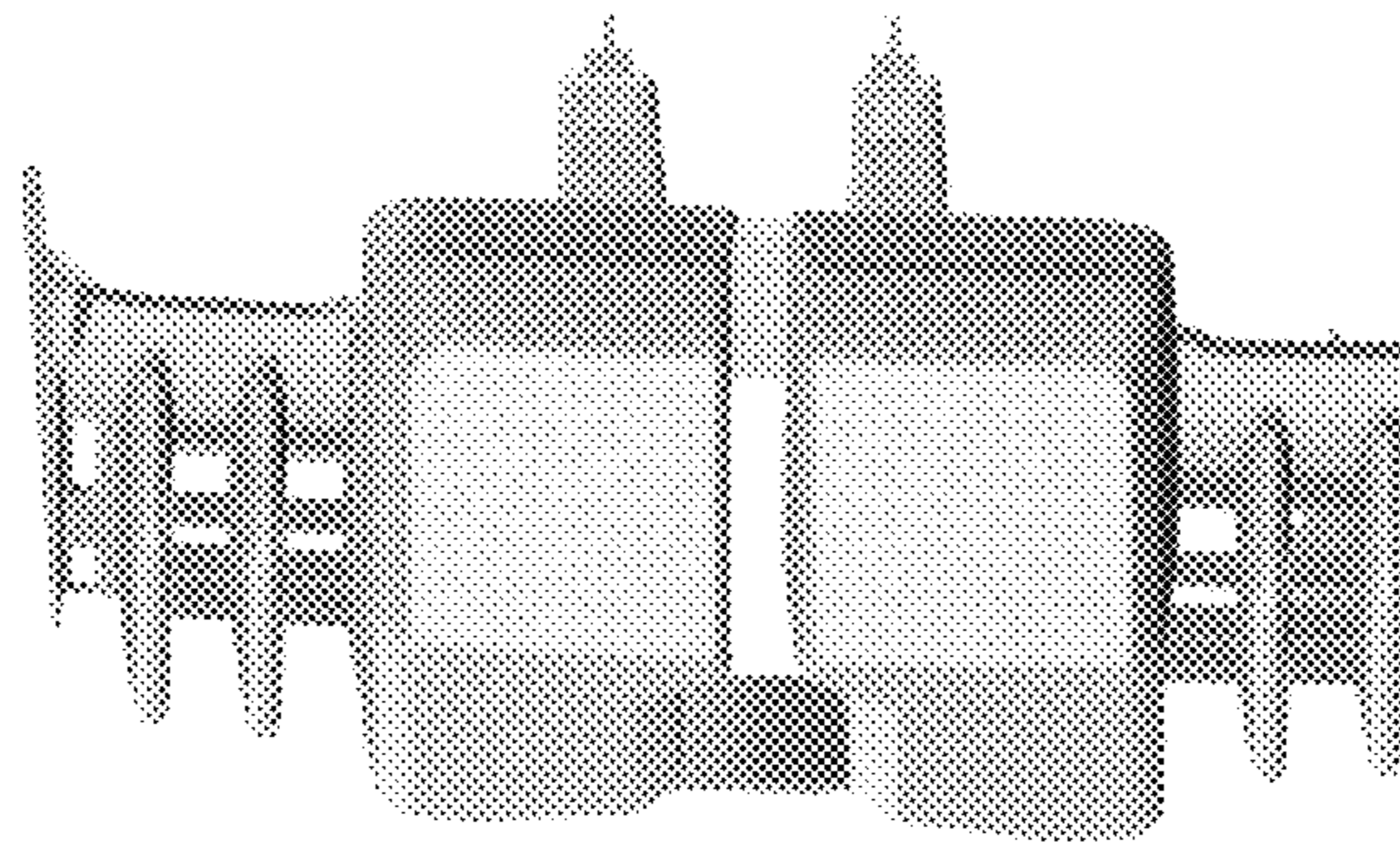


Figure 6

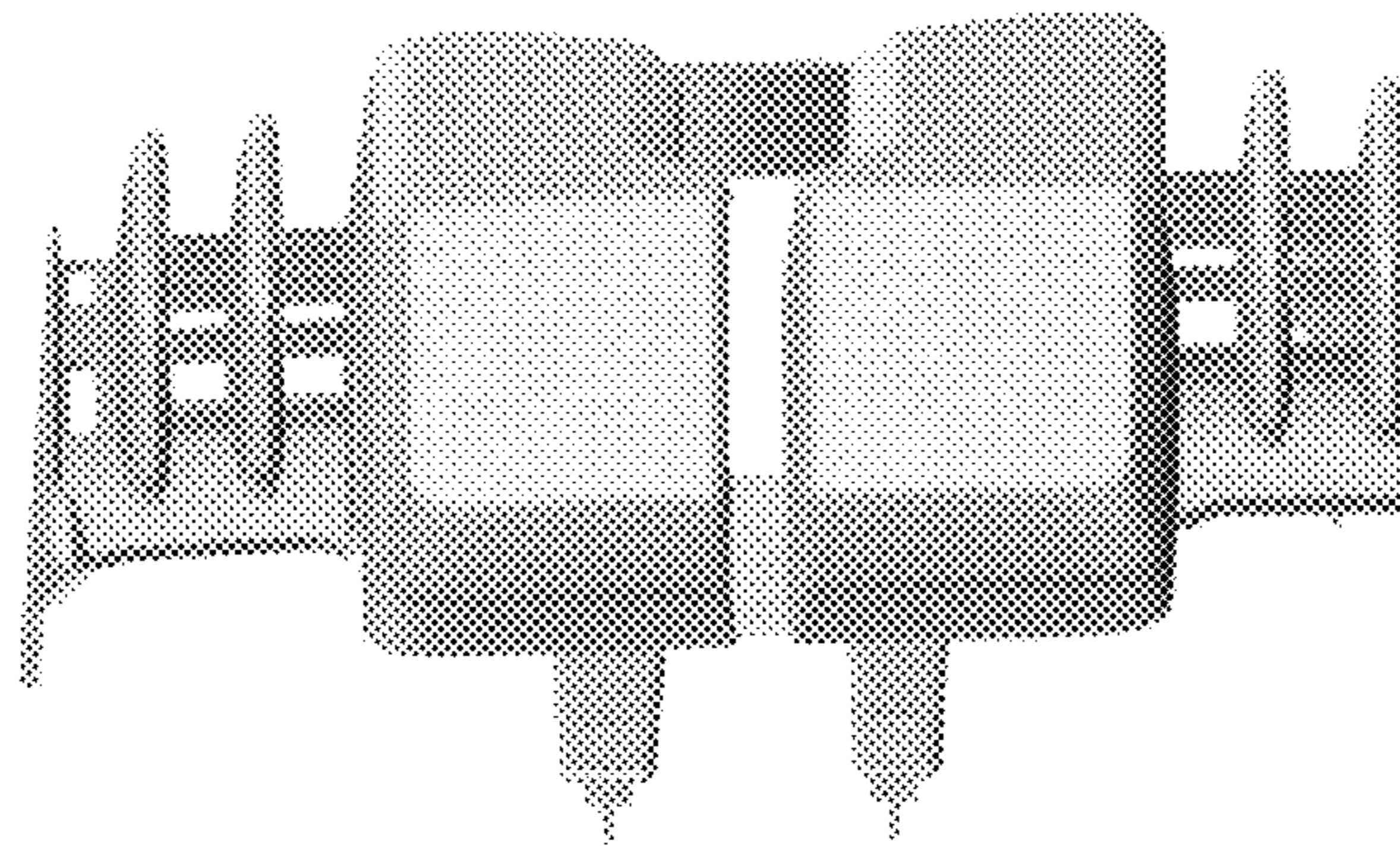


Figure 7



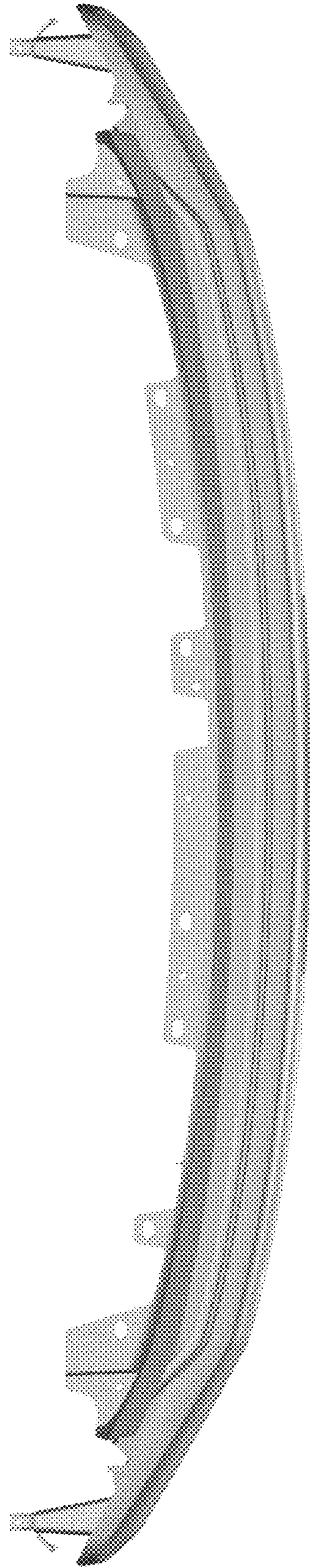


Figure 8

Figure 9

