



US00D774999S

(12) **United States Design Patent** (10) **Patent No.:** **US D774,999 S**
Liu (45) **Date of Patent:** **** Dec. 27, 2016**

(54) **RADIATOR GRILL FOR AN AUTOMOBILE**

(71) Applicant: **Nissan Motor Co., Ltd.**, Yokohama,
Kanagawa (JP)

(72) Inventor: **En Hung Liu**, Beijing (CN)

(73) Assignee: **Nissan Motor Co., Ltd.**, Yokohama
(JP)

(**) Term: **15 Years**

(21) Appl. No.: **29/535,406**

(22) Filed: **Aug. 6, 2015**

(30) **Foreign Application Priority Data**

Feb. 10, 2015 (JP) 2015-002642

(51) **LOC (10) Cl.** **12-16**

(52) **U.S. Cl.**
USPC **D12/163**

(58) **Field of Classification Search**
USPC D12/86, 90, 91, 92, 163, 169, 196, 171,
D12/216; D15/31; 180/68.1, 68.6;
293/103, 115, 117, 120, 193.1,
293/193.11
CPC . B60R 19/52; B60R 2019/525; B60K 11/085;
B62D 25/084; H01Q 1/32
See application file for complete search history.

(56) **References Cited**

U.S. PATENT DOCUMENTS

D497,849 S * 11/2004 Yanase D12/163
D523,381 S * 6/2006 Taguchi D12/163
D557,177 S * 12/2007 Endo D12/91
D592,111 S * 5/2009 Janik D12/163
D614,542 S * 4/2010 Kasai D12/163
D623,565 S * 9/2010 Cogswell D12/163
D634,676 S * 3/2011 Iida D12/163

D635,065 S * 3/2011 Seo D12/163
D670,214 S * 11/2012 Watanabe D12/163
D682,753 S * 5/2013 Yoshida et al.
D686,117 S * 7/2013 Tase D12/163

(Continued)

FOREIGN PATENT DOCUMENTS

JP 1144706 S 6/2002
JP 1293456 S 2/2007

(Continued)

Primary Examiner — Darlington Ly

(74) *Attorney, Agent, or Firm* — Global IP Counselors,
LLP

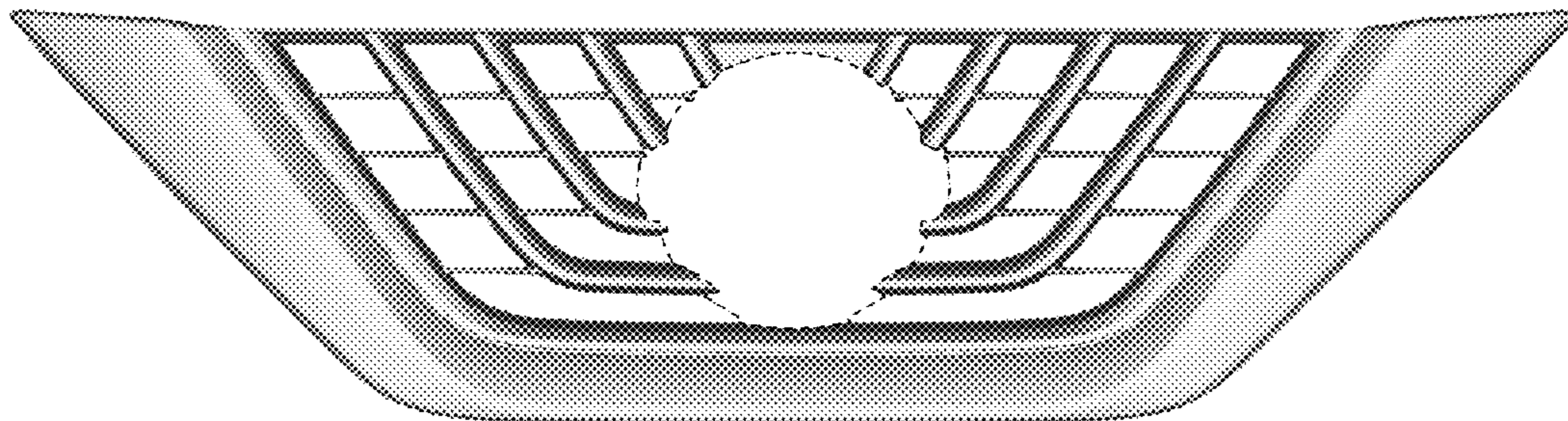
(57) **CLAIM**

The ornamental design for a radiator grill for an automobile,
as shown and described.

DESCRIPTION

FIG. 1 is a front elevational view of a radiator grill for an automobile in accordance with our new design;
FIG. 2 is a top plan view of the radiator grill in accordance with our new design of FIG. 1;
FIG. 3 is a bottom plan view of the radiator grill in accordance with our new design of FIGS. 1 and 2;
FIG. 4 is a left side elevational view of the radiator grill in accordance with our new design of FIGS. 1 to 3;
FIG. 5 is a right side elevational view of the radiator grill in accordance with our new design of FIGS. 1 to 4;
FIG. 6 is a front-right-top side perspective view of the radiator grill in accordance with our new design of FIGS. 1 to 5; and,
FIG. 7 is a front-left-bottom side perspective view of the radiator grill in accordance with our new design of FIGS. 1 to 6.
The broken lines in the drawings illustrate portions of the radiator grill for automobile that forms no part of the claimed design.

1 Claim, 7 Drawing Sheets



(56)

References Cited

U.S. PATENT DOCUMENTS

D705,137 S * 5/2014 Kawasaki D12/163
D734,693 S * 7/2015 Koizumi D12/163
D755,090 S * 5/2016 Ino D12/163

FOREIGN PATENT DOCUMENTS

JP 1312223 S 10/2007
JP 1320022 S 1/2008
JP 1379558 S 2/2010
JP 1461050 S 2/2013
JP 1461646 S 2/2013
JP 1461647 S 2/2013
JP 1499095 S 6/2014

* cited by examiner

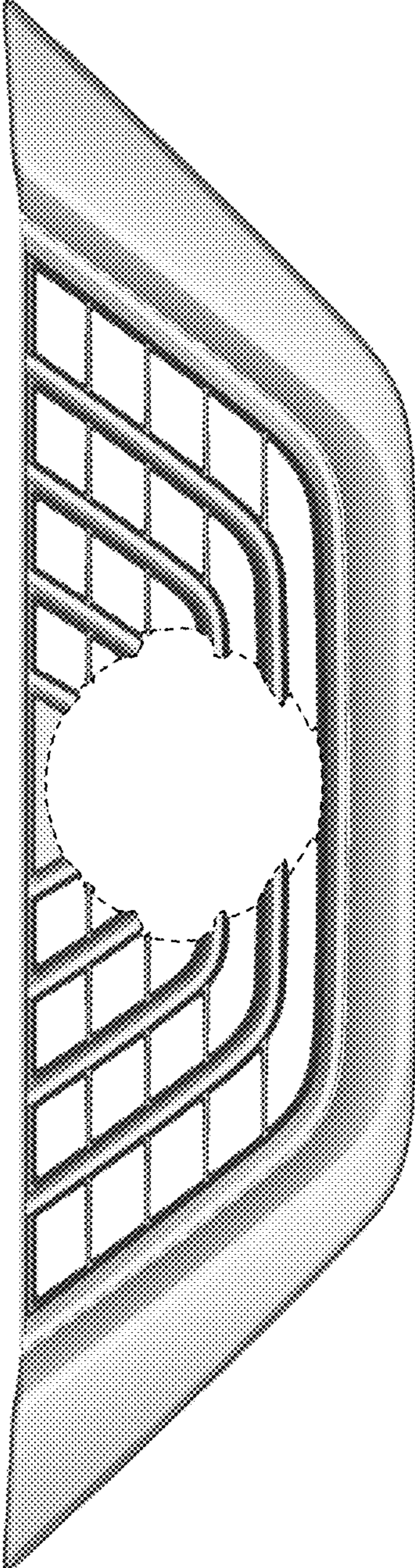


FIG. 1

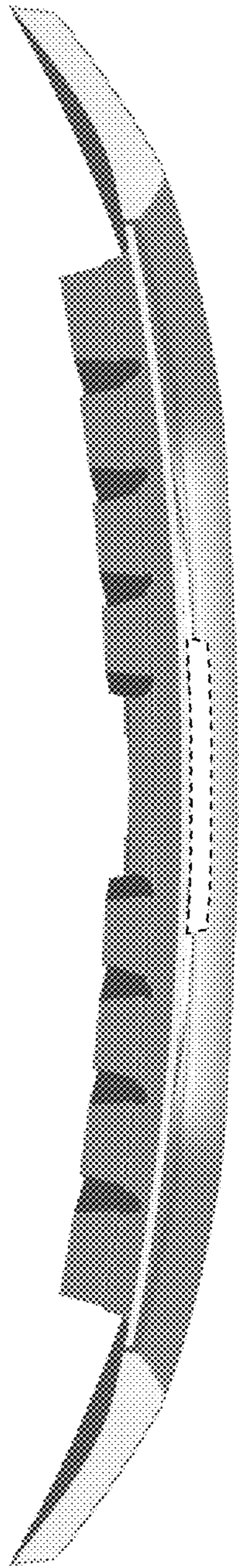


FIG. 2

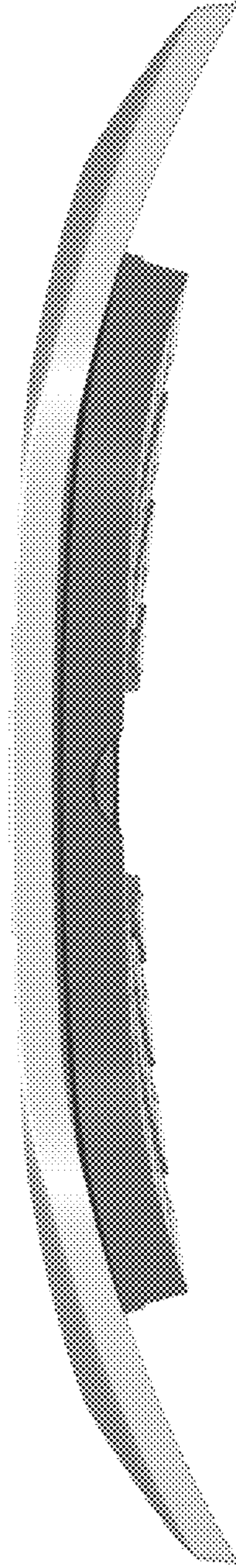


FIG. 3

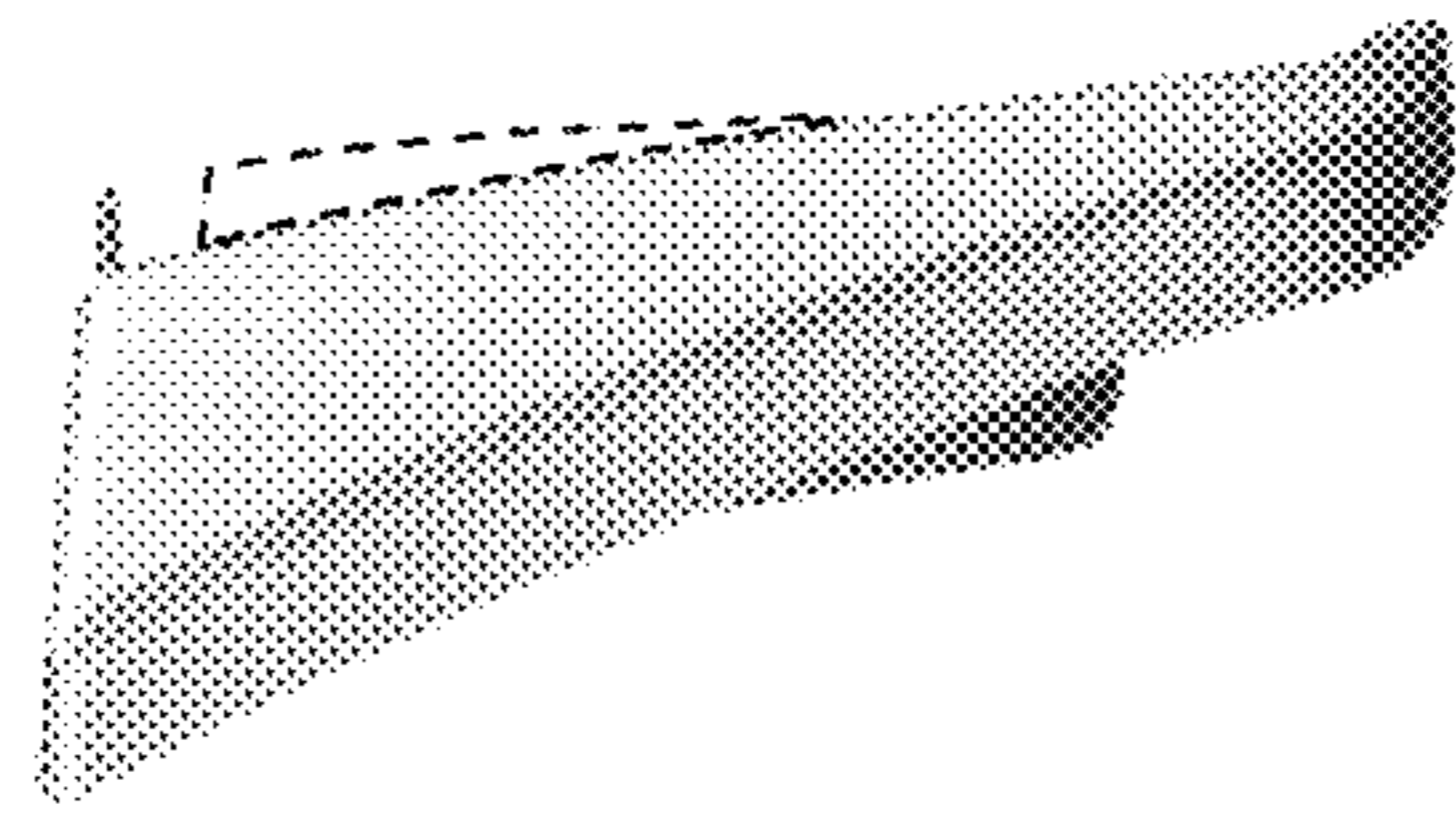


FIG. 4

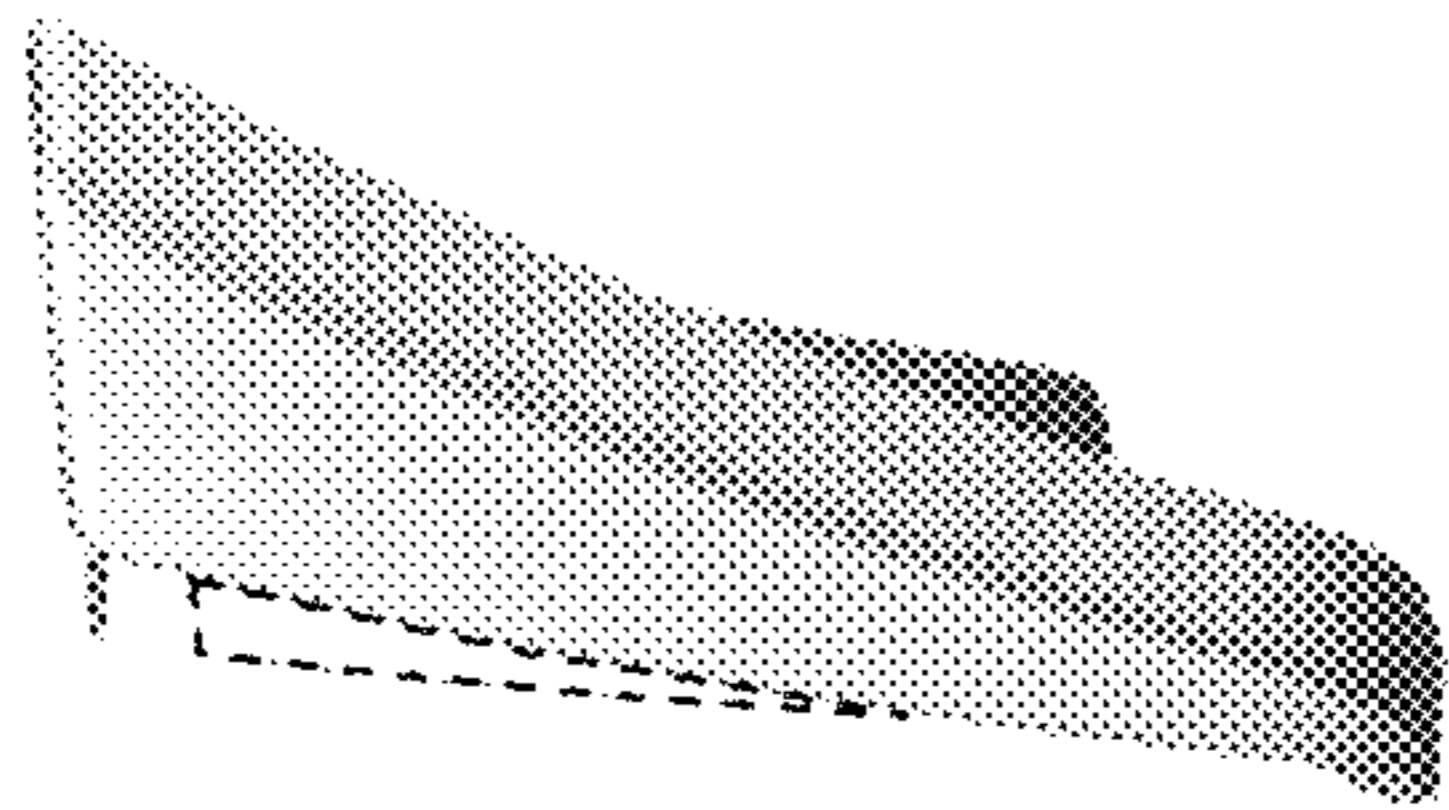


FIG. 5

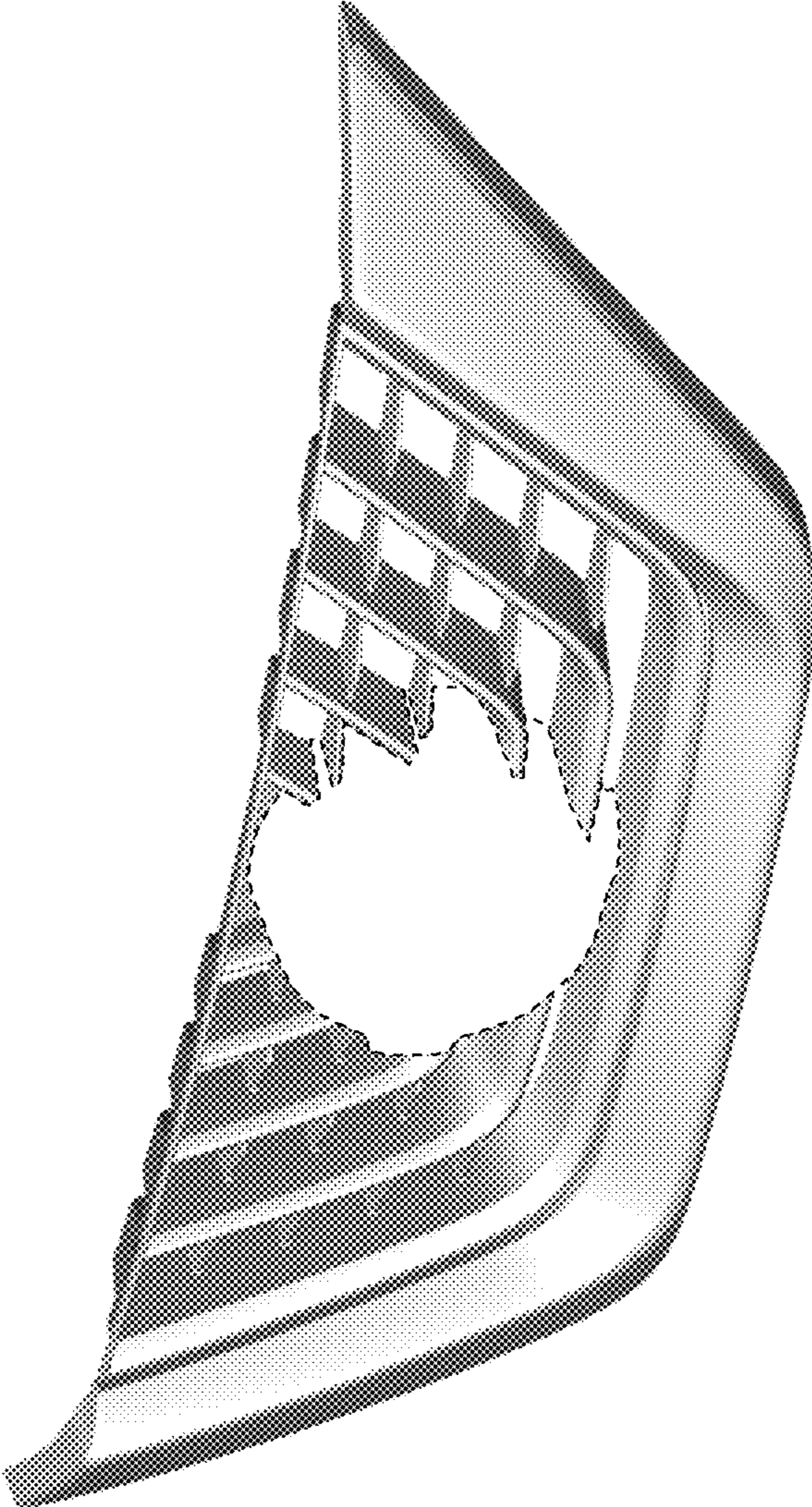


FIG. 6

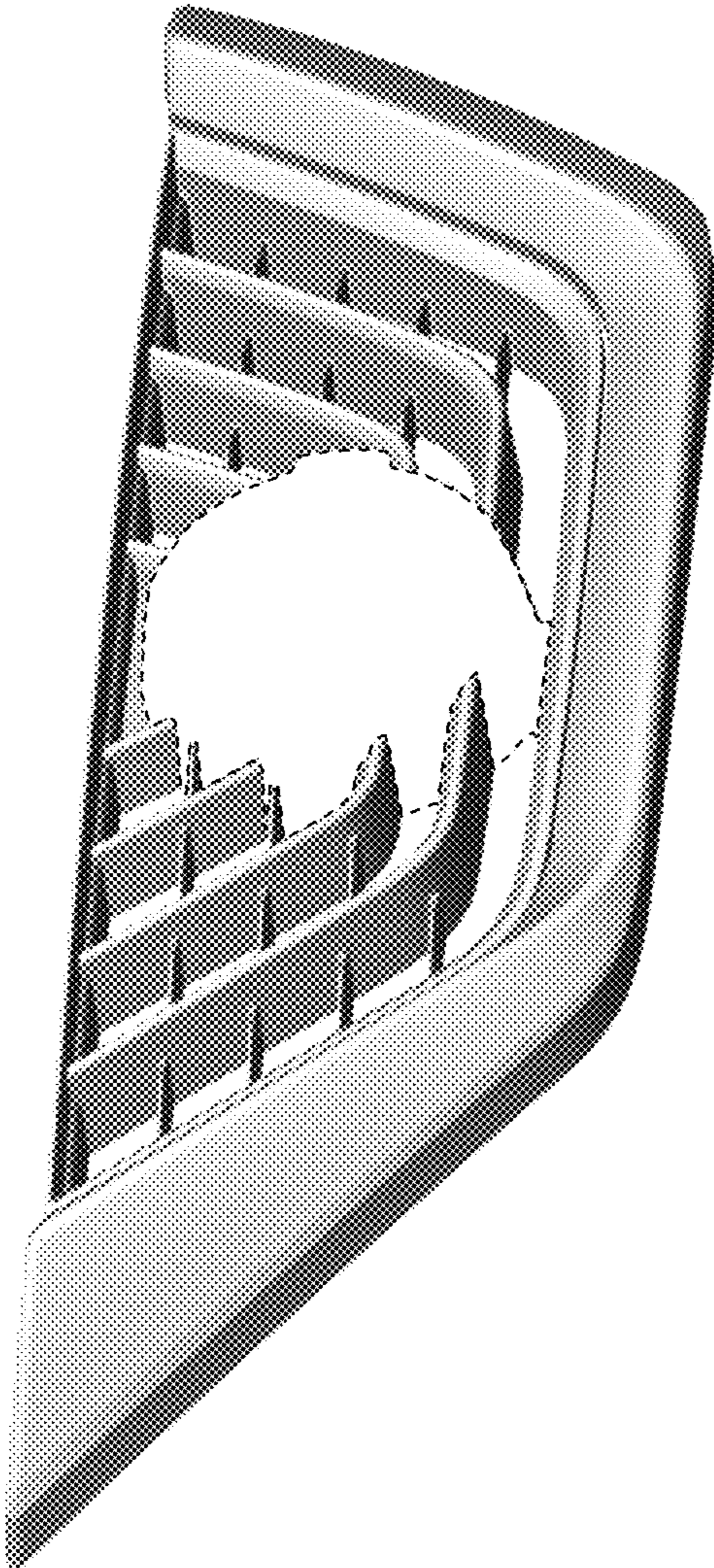


FIG. 7