



US00D774998S

(12) **United States Design Patent**  
**Munakata et al.**

(10) **Patent No.:** **US D774,998 S**  
(45) **Date of Patent:** **\*\* Dec. 27, 2016**

(54) **RADIATOR GRILL FOR AUTOMOBILE**

FOREIGN PATENT DOCUMENTS

(71) Applicant: **Nissan Motor Co., Ltd.**, Yokohama,  
Kanagawa (JP)

JP D1332832 S 6/2008  
JP D1473474 S 6/2013

(Continued)

(72) Inventors: **Kenichi Munakata**, Tokyo (JP); **Akio Shimizu**, Kanagawa (JP)

*Primary Examiner* — Darlington Ly

(74) *Attorney, Agent, or Firm* — Global IP Counselors,  
LLP

(73) Assignee: **Nissan Motor Co., Ltd.**, Yokohama  
(JP)

(57) **CLAIM**

The ornamental design for a radiator grill for an automobile,  
as shown and described.

(\*\*) Term: **15 Years**

(21) Appl. No.: **29/534,346**

**DESCRIPTION**

(22) Filed: **Jul. 28, 2015**

(30) **Foreign Application Priority Data**

Jan. 30, 2015 (JP) ..... 2015-001747

(51) **LOC (10) Cl.** ..... **12-16**

(52) **U.S. Cl.**  
USPC ..... **D12/163**

(58) **Field of Classification Search**  
USPC ..... D12/86, 90, 91, 92, 163, 169, 196,  
171, D12/216; D15/31; 180/68.1, 68.6;  
293/103, 115, 293/117, 120, 193.1,  
193.11

CPC . B60R 19/52; B60R 2019/525; B60K 11/085;  
B62D 25/084; H01Q 1/32

See application file for complete search history.

(56) **References Cited**

U.S. PATENT DOCUMENTS

D533,484 S \* 12/2006 Behmer ..... D12/163  
D626,464 S \* 11/2010 Yanase ..... D12/163  
D628,939 S \* 12/2010 Komuro ..... D12/92  
D629,339 S \* 12/2010 Choi ..... D12/163  
D631,405 S \* 1/2011 Kuze ..... D12/163

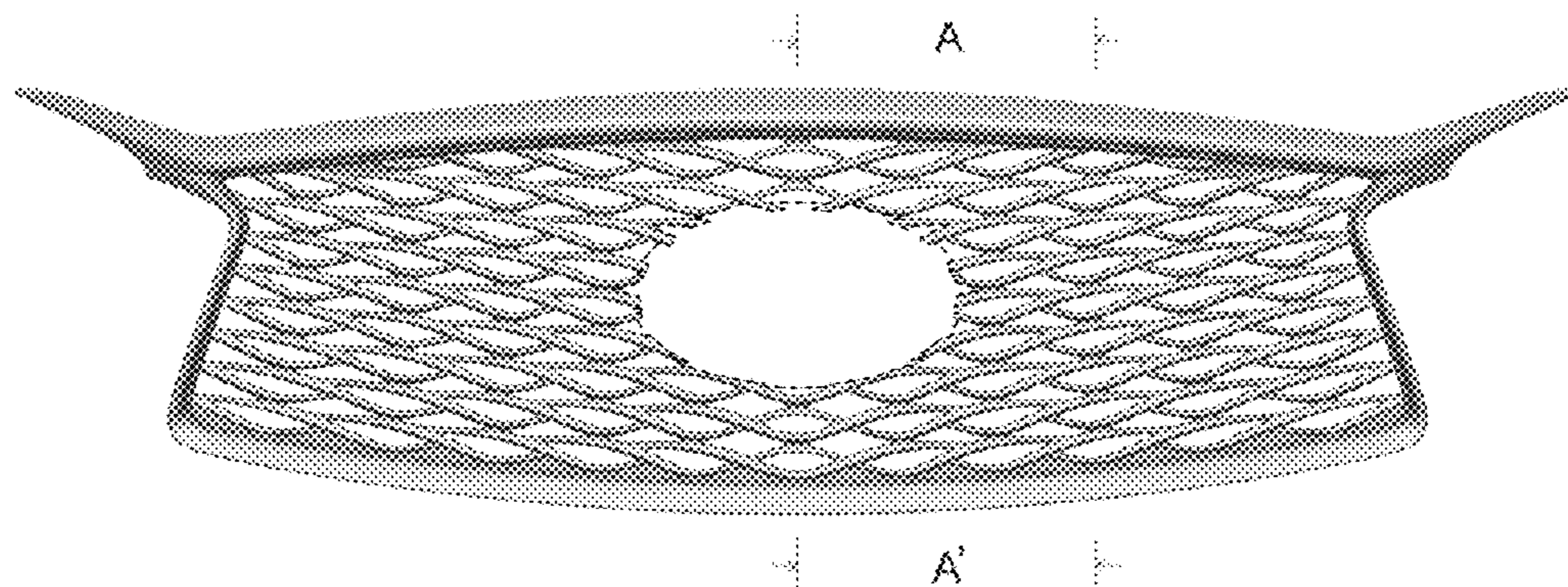
(Continued)

FIG. 1 is a front elevational view of a radiator grill for an automobile in accordance with our new design;  
FIG. 2 is a top plan view of the radiator grill in accordance with our new design of FIG. 1;  
FIG. 3 is a bottom plan view of the radiator grill in accordance with our new design of FIGS. 1 and 2;  
FIG. 4 is a left side elevational view of the radiator grill in accordance with our new design of FIGS. 1 to 3;  
FIG. 5 is a right side elevational view of the radiator grill in accordance with our new design of FIGS. 1 to 4;  
FIG. 6 is a front-right-top side perspective view of the radiator grill in accordance with our new design of FIGS. 1 to 5;  
FIG. 7 is a front-left-bottom side perspective view of the radiator grill in accordance with our new design of FIGS. 1 to 6; and,  
FIG. 8 is a cross-sectional view of the radiator grill in accordance with our new design of FIGS. 1 to 7, noted between A and A' in FIG. 1.

The broken lines in the drawings illustrate portions of the radiator grill for automobile that forms no part of the claimed design.

The rear view of the radiator grill forms no part of the claimed design.

**1 Claim, 8 Drawing Sheets**



(56)

**References Cited**

U.S. PATENT DOCUMENTS

D665,314 S \* 8/2012 Fukui ..... D12/163  
D667,762 S \* 9/2012 Yanase ..... D12/163  
D675,134 S \* 1/2013 Yamamoto ..... D12/163  
D682,164 S \* 5/2013 Fuchigami ..... D12/163  
D682,753 S 5/2013 Yoshida et al.  
D689,414 S \* 9/2013 Endo ..... D12/163  
D698,706 S \* 2/2014 Tada ..... D12/163  
D718,196 S \* 11/2014 Whang ..... D12/171  
2013/0107046 A1\* 5/2013 Forgue ..... B60R 11/04  
348/148

FOREIGN PATENT DOCUMENTS

JP D1473475 S 6/2013  
JP D1486328 S 12/2013  
JP D1489308 S 2/2014  
JP D1491405 S 3/2014  
JP D1498794 S 6/2014  
JP D1498812 S 6/2014  
JP D1499542 S 6/2014  
JP D1513123 S 12/2014

\* cited by examiner



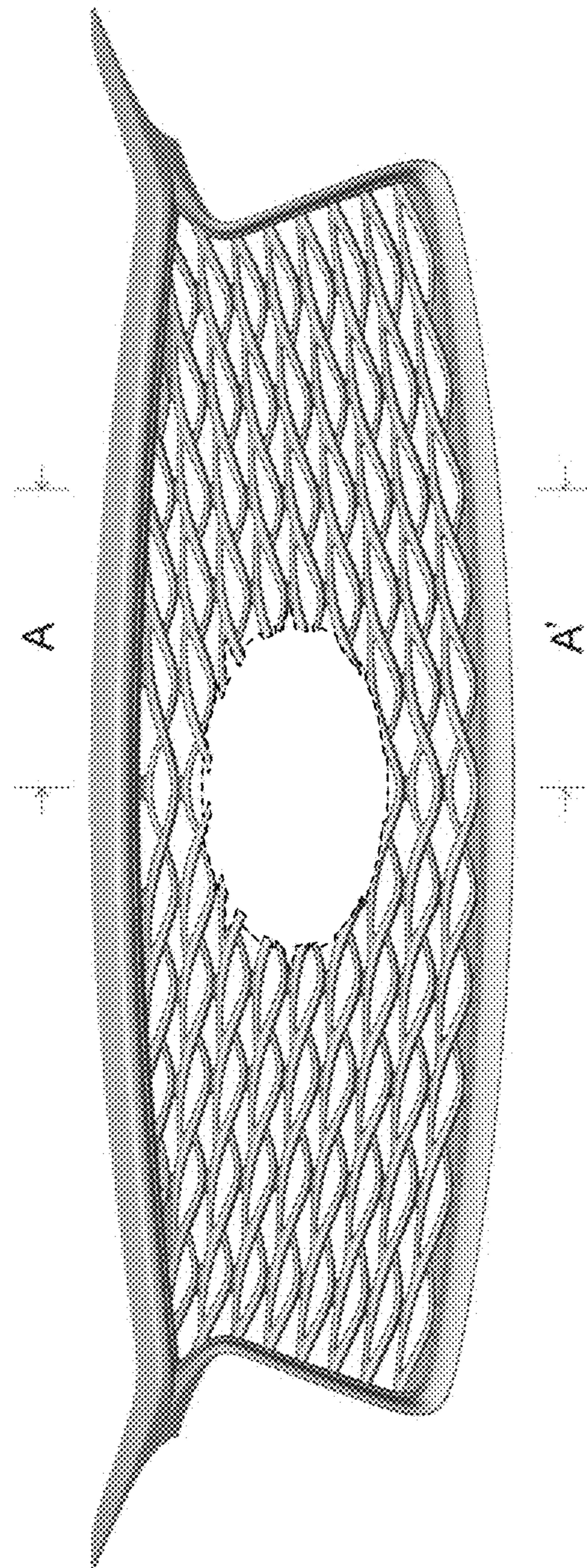


FIG. 1

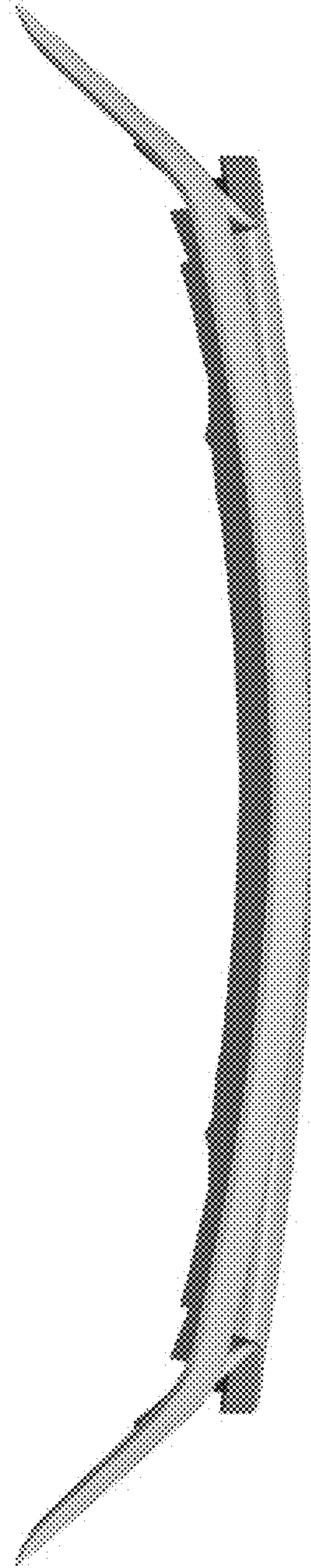


FIG. 2

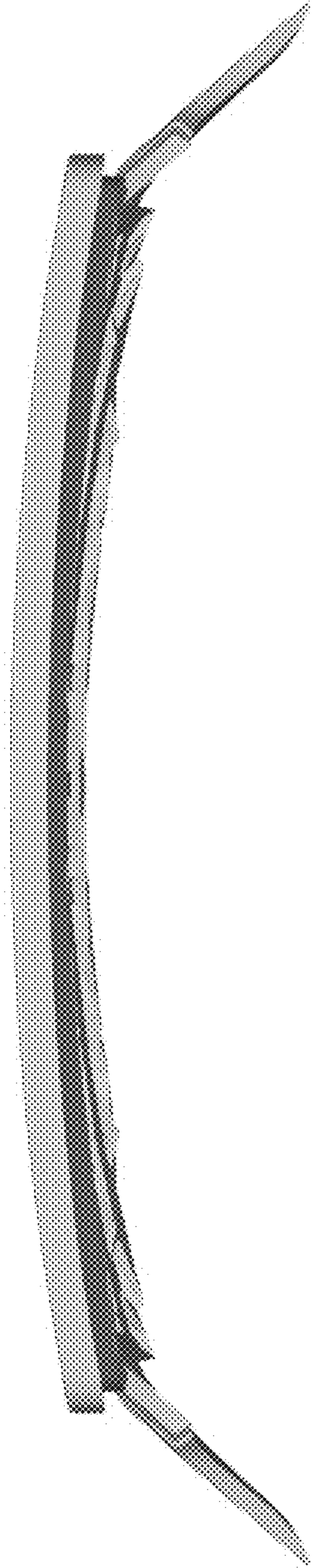


FIG. 3

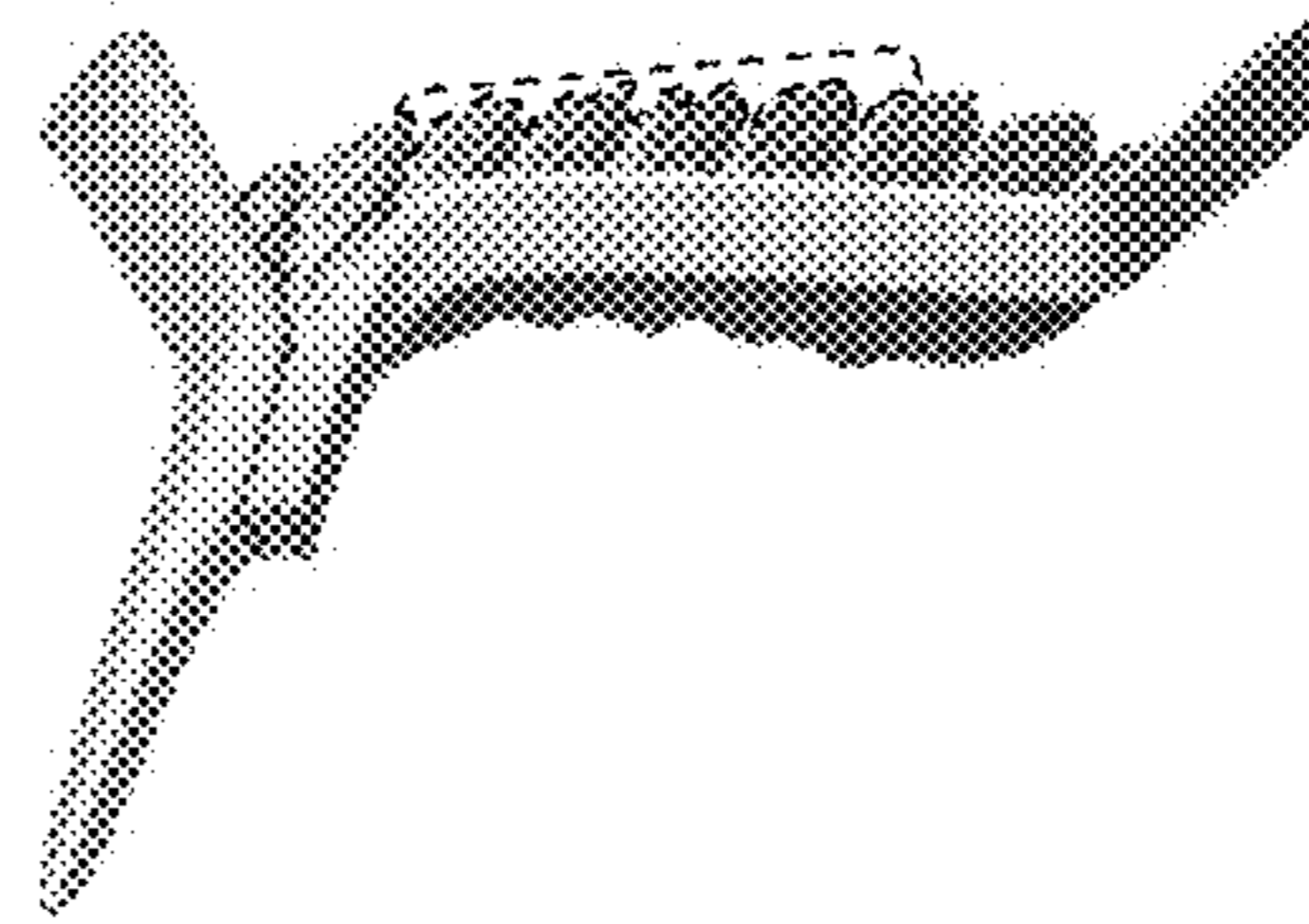


FIG. 4

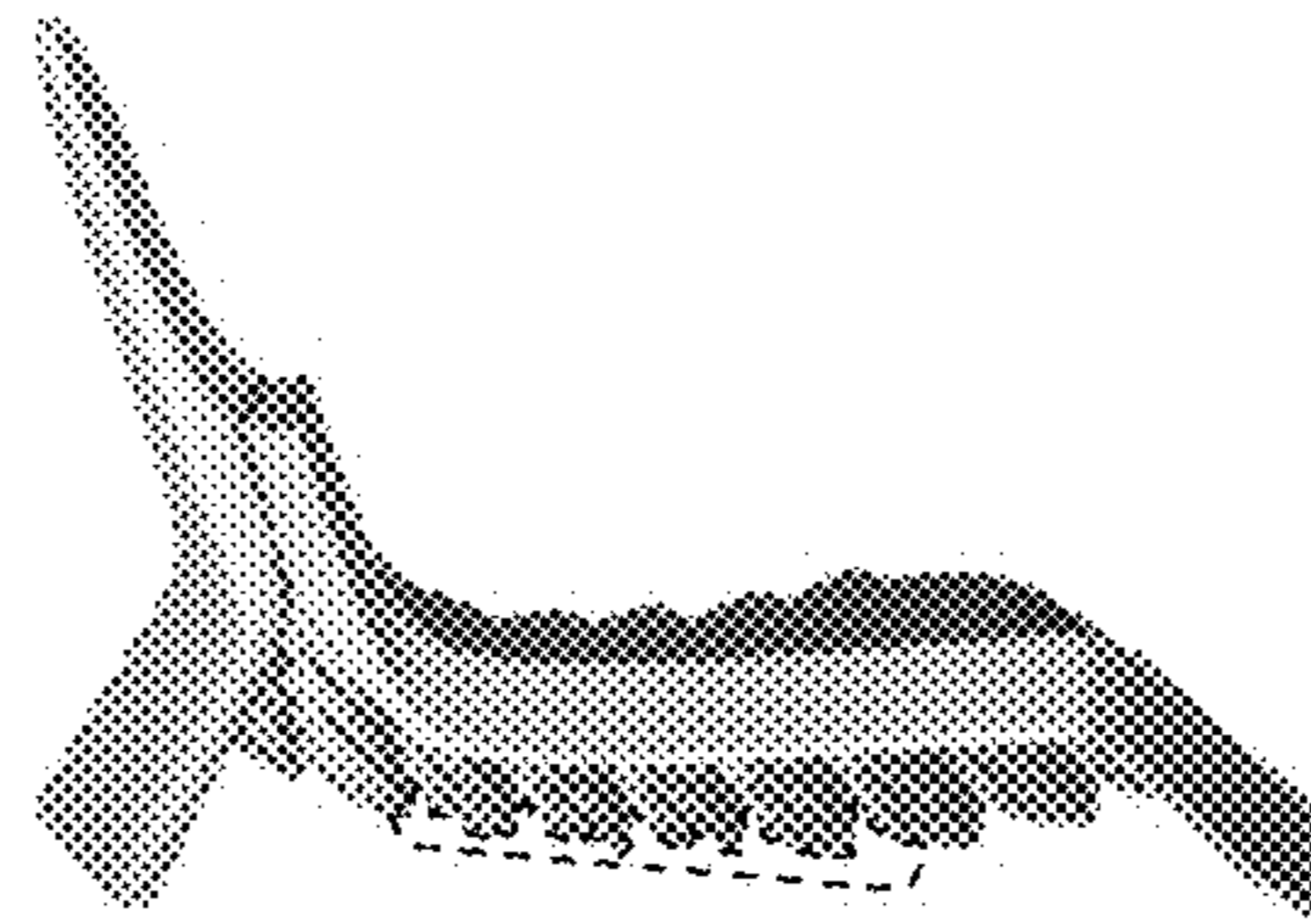


FIG. 5



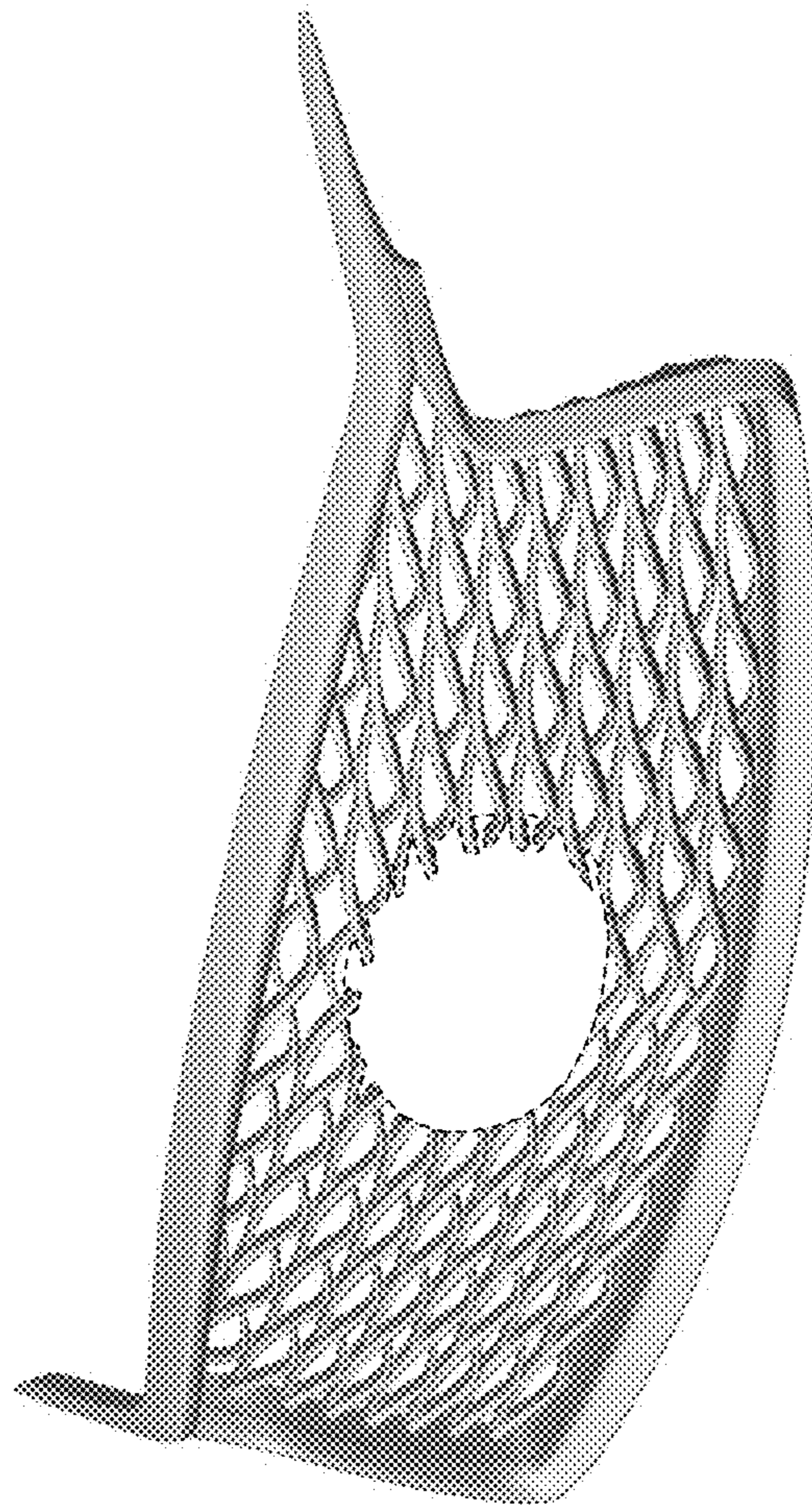


FIG. 6



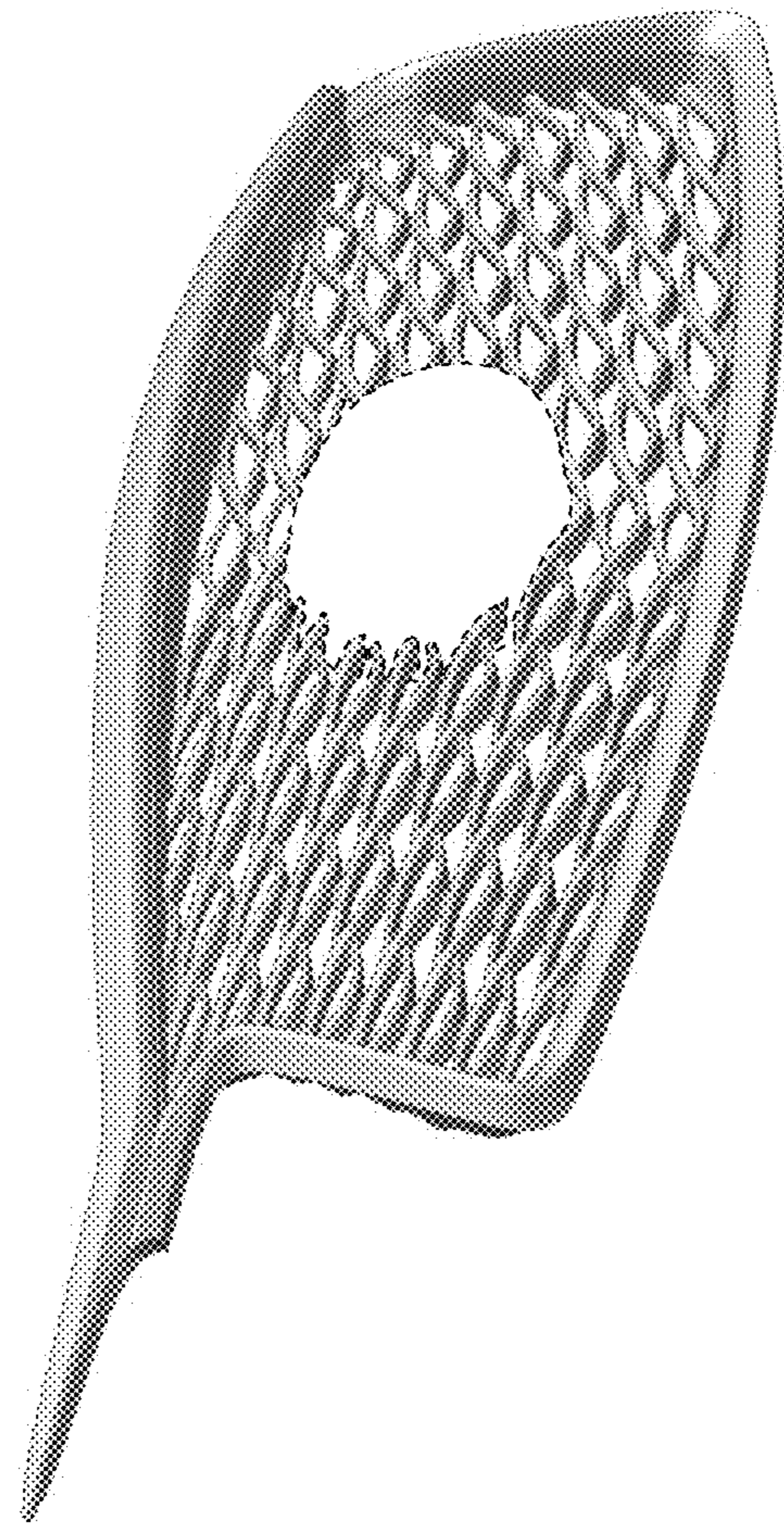


FIG. 7

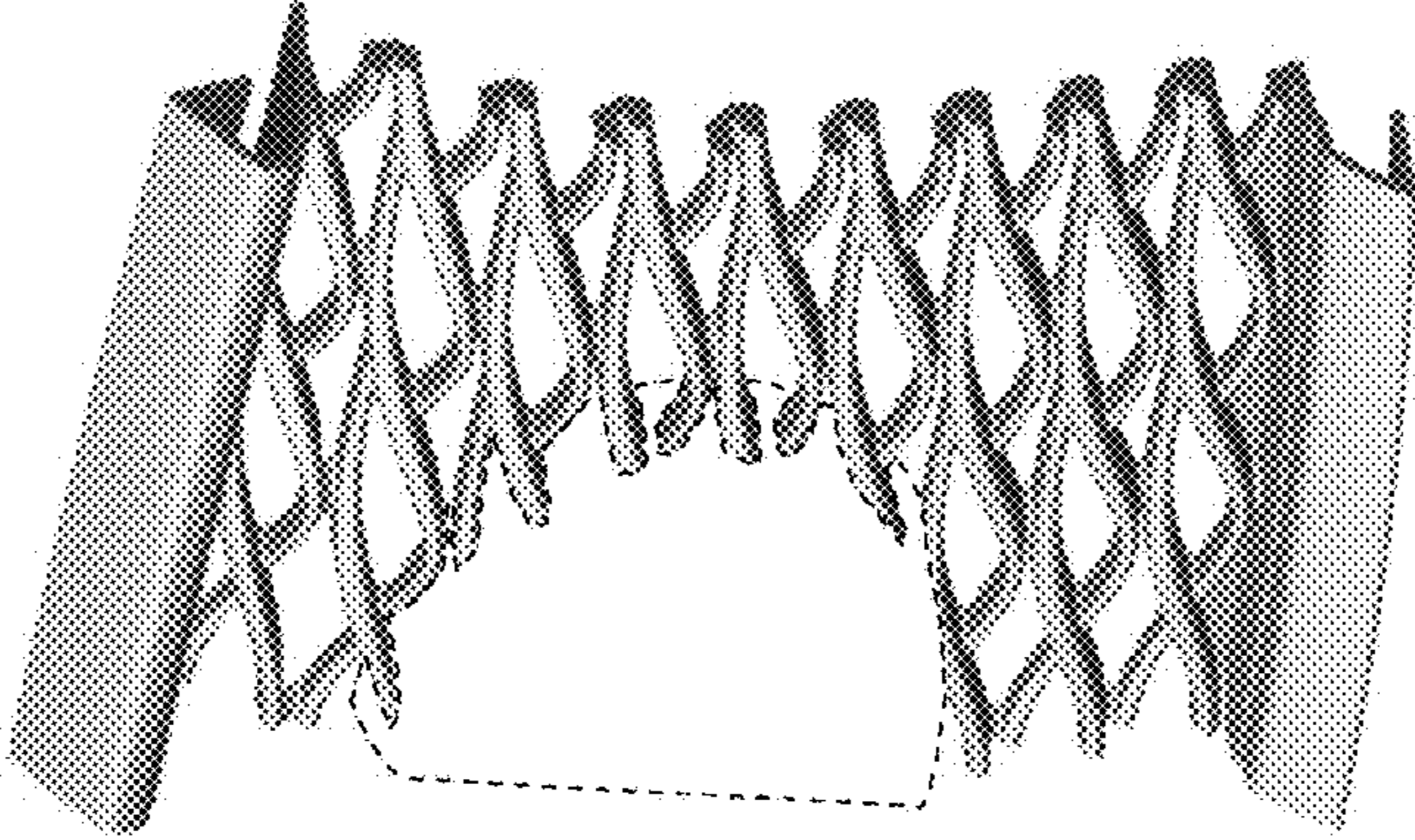


FIG. 8