



US00D774995S

(12) **United States Design Patent**
Holgate et al.

(10) **Patent No.:** **US D774,995 S**

(45) **Date of Patent:** **** Dec. 27, 2016**

(54) **AUTOMOBILE GRILLE AND/OR REPLICAS THEREOF**

5,205,597 A 4/1993 Chase
RE34,907 E 4/1995 Gross
5,403,048 A 4/1995 Ekladyous et al.
5,478,127 A 12/1995 Chase
5,482,336 A 1/1996 Rouse et al.

(Continued)

(71) Applicant: **Aston Martin Lagonda Limited**,
Warwickshire (GB)

(72) Inventors: **Sam Holgate**, Warwickshire (GB);
Miles Nurnberger, Warwickshire (GB)

(73) Assignee: **ASTON MARTIN LAGONDA LIMITED**, Gaydon (GB)

FOREIGN PATENT DOCUMENTS

DE 2727517 A1 12/1978
DE 4321969 A1 2/1994

(Continued)

(**) Term: **14 Years**

OTHER PUBLICATIONS

(21) Appl. No.: **29/521,651**

Aston Martin 2013, "Aston Martin Centenary Celebration Programme," 2013; 204 pages.

(22) Filed: **Mar. 25, 2015**

(Continued)

(30) **Foreign Application Priority Data**

Primary Examiner — Melody N Brown

Sep. 26, 2014 (EM) 002546507-0001
Sep. 26, 2014 (EM) 002546507-0002
Sep. 26, 2014 (EM) 002546507-0008
Oct. 7, 2014 (EM) 002552828-0001

(74) *Attorney, Agent, or Firm* — Dorsey & Whitney LLP

(57) **CLAIM**

The ornamental design for an automobile grille and/or replica thereof, as shown and described.

(51) **LOC (10) Cl.** **12-16**

DESCRIPTION

(52) **U.S. Cl.**
USPC **D12/163**

FIG. 1 is a front perspective view of an automobile grille and/or replica thereof showing our new design;
FIG. 2 is a rear perspective view thereof;
FIG. 3 is a left side elevation view thereof;
FIG. 4 is a right side elevation view thereof;
FIG. 5 is a front elevation view thereof;
FIG. 6 is a rear elevation view thereof;
FIG. 7 is a top plan view thereof;
FIG. 8 is a bottom plan view thereof; and,
FIG. 9 is an enlarged front elevation view thereof.

(58) **Field of Classification Search**
USPC D12/169, 163, 196, 171, 90-92, 216;
293/102, 113, 115, 117, 120; 296/180.1,
296/180.2; 180/68.1, 68.6
CPC B60R 19/52; B60R 2019/25; B62D 25/084
See application file for complete search history.

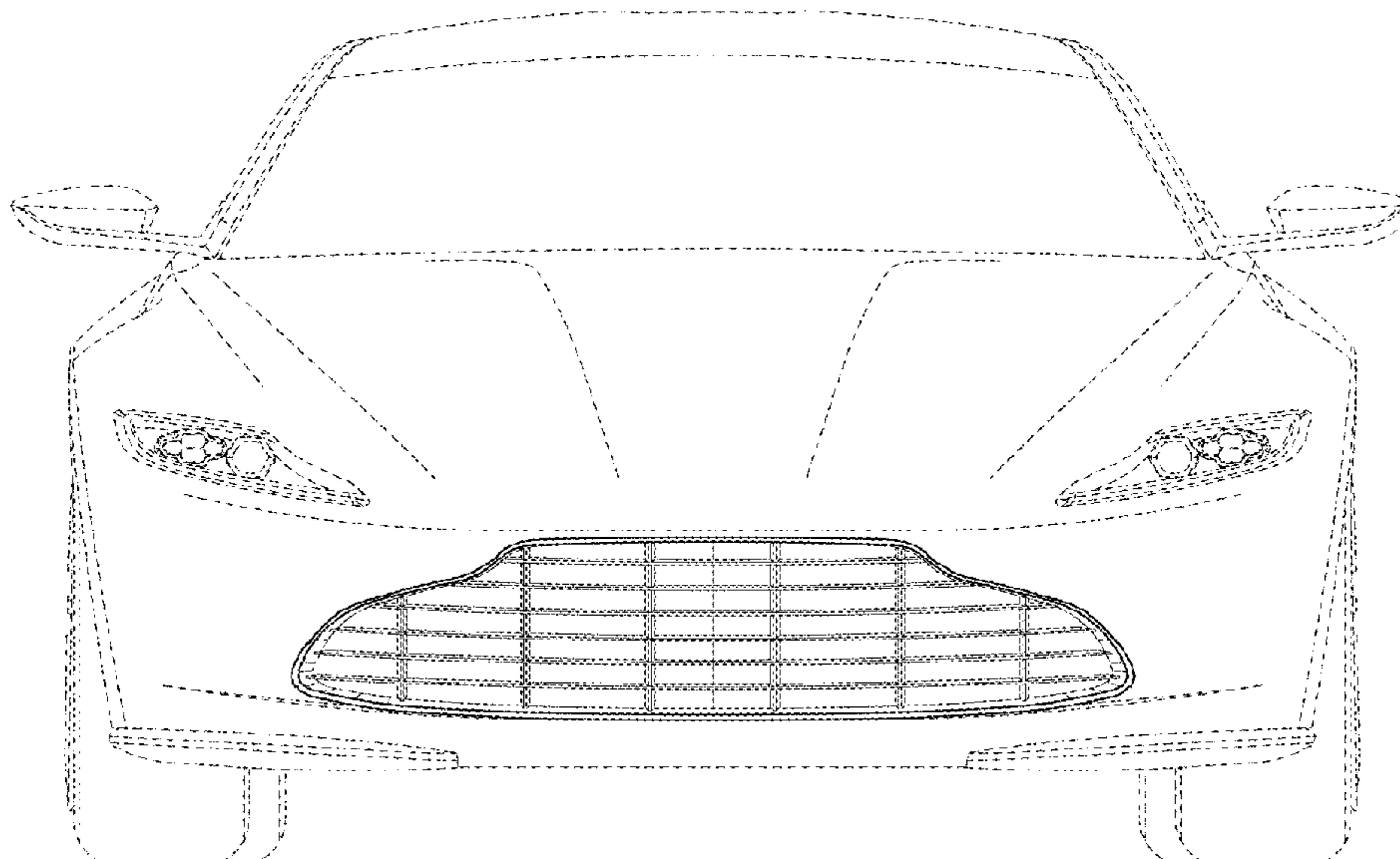
The automobile portions shown in broken lines is environmental structure shown for illustrative purpose only and form no part of the claimed design.

(56) **References Cited**

U.S. PATENT DOCUMENTS

4,917,203 A 4/1990 Sacco et al.
4,944,540 A 7/1990 Mansoor et al.
D334,977 S 4/1993 Avari

1 Claim, 8 Drawing Sheets



(56)

References Cited

U.S. PATENT DOCUMENTS

5,503,444	A	4/1996	Rouse et al.	
D395,027	S	6/1998	Wittine	
5,880,394	A	3/1999	Kim	
D415,081	S	10/1999	Wittine	
D431,505	S	10/2000	Kitamura et al.	
6,206,438	B1	3/2001	Pueyo	
D447,983	S	9/2001	Stoddard et al.	
D456,313	S	4/2002	Walling et al.	
6,405,819	B1	6/2002	Ohkura et al.	
D475,662	S	6/2003	Koizumi et al.	
6,702,343	B1	3/2004	Stull	
6,921,117	B2	7/2005	Rackham et al.	
D510,302	S	10/2005	Sugimoto	
D553,544	S	10/2007	Rothman et al.	
D557,184	S	12/2007	Janik	
D557,641	S	12/2007	Davidson	
D573,510	S	7/2008	Pininfarina	
D584,198	S	1/2009	Tamura	
D584,998	S	1/2009	Lamm et al.	
D585,340	S	1/2009	Sinkwitz	
D589,405	S	3/2009	Corradi	
D589,853	S	4/2009	Saridakis et al.	
D592,564	S	5/2009	Kusamoto et al.	
D603,755	S	11/2009	Peters	
D620,396	S	7/2010	Reichman et al.	
D626,465	S	11/2010	Thomas et al.	
D628,942	S	12/2010	Kim	
D629,718	S	12/2010	Reichman et al.	
D629,719	S	12/2010	Reichman et al.	
D629,725	S	12/2010	Reichman et al.	
D630,140	S	1/2011	Reichman et al.	
D635,065	S	3/2011	Seo	
D651,142	S	12/2011	Fushimi	
D664,475	S	7/2012	Takahashi	
D665,313	S	8/2012	Asakura	
D668,590	S	10/2012	Furst et al.	
D670,203	S	11/2012	Weil	
D670,620	S	11/2012	Frei et al.	
D671,457	S	11/2012	Goto et al.	
D687,348	S	8/2013	Nurnberger	
D691,517	S	10/2013	Kwon et al.	
D692,348	S	10/2013	Whelan	
D692,350	S	10/2013	Toriyama et al.	
D696,978	S	1/2014	Perini	
D701,147	S	3/2014	Saracoglu	
D704,101	S	5/2014	Beaven	
D704,102	S	5/2014	Nurnberger	
D704,601	S *	5/2014	Nurnberger	D12/163
D726,079	S *	4/2015	Reichman	D12/163
D727,804	S *	4/2015	Nurnberger	D12/163
D740,725	S *	10/2015	Payne	D12/163
2005/0248184	A1	11/2005	Piffaretti	

FOREIGN PATENT DOCUMENTS

EM	000212923-0001	A1	10/2004
EM	000212923-0002	A1	10/2004
EM	001067839-0001		1/2009
EM	001650052-0001		12/2009
EM	001674631-0001		2/2010
EM	001674631-0002		2/2010
EM	001674631-0003		2/2010
EM	001674631-0005		2/2010
EM	001999848-0001		2/2012
EM	001999848-0003		2/2012
EM	002033621-0001		4/2012
EM	002033621-0003		4/2012
EM	002033621-0005		4/2012
EM	002033621-0006		4/2012

EM	002047977-0002		5/2012
EM	002171488-0001		1/2013
EP	896892	A1	2/1999
EP	906863	A2	4/1999
EP	2476603	A2	7/2012
GB	2327912	A	2/1999
GB	3013456		7/2003
GB	2396881	A	7/2004
GB	3024223		4/2006
JP	D1400694		10/2010
JP	D1444677		5/2012
WO	02/12028		2/2002

OTHER PUBLICATIONS

Aston Martin IDBS Brochure; Website[online]: <http://www.auto-brochures.com>, Jan. 27, 2012 [retrieved on Oct 22, 2013]. Retrieved from the internet: <URL: http://www.auto-brochures.com/makes/Aston_Martin/dbs/Astoff%20Martin_int%20DBS_1.pdf>; 62 pages.

Aston Martin DB9 Brochure; Website[online]: <http://www.auto-brochures.com>, Jan. 27, 2012 [retrieved on Oct. 22, 2013]. Retrieved from the internet: <URL: http://www.auto-brochures.com/makes/Aston_Martin/db9/Astoff%20Martin_int%20DB9_1.pdf>; 41 pages.

2008 Aston Martin DB9 Grill & Front View Photo. Website[online]: <http://www.motortrend.com>, Jun 12, 2008 [retrieved on Oct. 22, 2013]. Retrieved from the internet: <URL: http://www.motortrend.com/cars/2008/aston_martin/db9/photos/exterior/grill_front_view.html>; 1 page.

European Patent Office; PCT International Search Report mailed Nov. 21, 2001; PCT/GB01/03563; 3 pages.

European Patent Office; PCT International Preliminary Examination Report mailed Dec. 5, 2002; PCT/GB01/03563; 11 pages.

European Patent Office; PCT Written Opinion mailed Mar. 6, 2002; PCT/GB01/03563; 5 pages.

European Patent Office; PCT Written Opinion mailed Aug. 21, 2002; PCT/GB01/03563; 5 pages.

2003 Aston Martin DB7 Vantage, [online], [site visited Jan. 3, 2014], Available from Internet, <URL: <http://www.conceptcarz.com/view/photo/291097,6877/2003-Aston-Martin-DB7-Vantage.aspx>>, 2 pages.

2014 Aston Martin Rapide S, announced Dec. 30, 2013, [online], [site visited Jan. 3, 2014], Available from Internet, <URL: <http://www.astonmartin.com/en-us/cars/rapide-s>>, 35 pages.

2011 Aston Martin Rapide, [online article Feb. 4, 2010, [site visited Jan. 3, 2014], Available from Internet, <URL: http://www.roadandtrack.com/car-reviews/first-drives/photos-2011-aston-martin-rapide?click=main_sr#slide-1>, 6 pages.

1976 and 1987 Aston Martin Lagonda, [online], [site visited Jul. 24, 2014], Available from Internet, <URL: <http://www.astonmartin.com/heritage/past-models/lagonda>>, 2 pages.

Vijayenthiran, Viknesh. "Aston Martin Builds and Sells Two CC100 Speedsters: Report." Motor Authority., Jul. 26, 2013 [online], [retrieved on Sep. 5, 2014]. Retrieved from the Internet. <URL: http://www.motorauthority.com/news/1085797_aston_martin-builds-and-sells-two-cc100-speedsters-report>.

Carrion, Annette. "2014 Aston Martin Vanquish Volante Neiman Marcus . . ." European Car Web., Jun. 22, 2010 [online], [retrieved on Sep. 5, 2014]. Retrieved from the Internet <URL: http://www.europecarweb.com/news/1311_2014_aston_martin_vanquish_volante_neiman_marcus_edition/photo_06.html>.

"2011 Aston Martin One-77." Electronic Brochure., Jun. 22, 2010 [online], [retrieved on Sep. 5, 2014]. Retrieved from the Internet <URL: http://www.auto-brochures.com/makes/Aston_Martin/one-77/Astoff%20Martin_int%20one-77.pdf>.

* cited by examiner

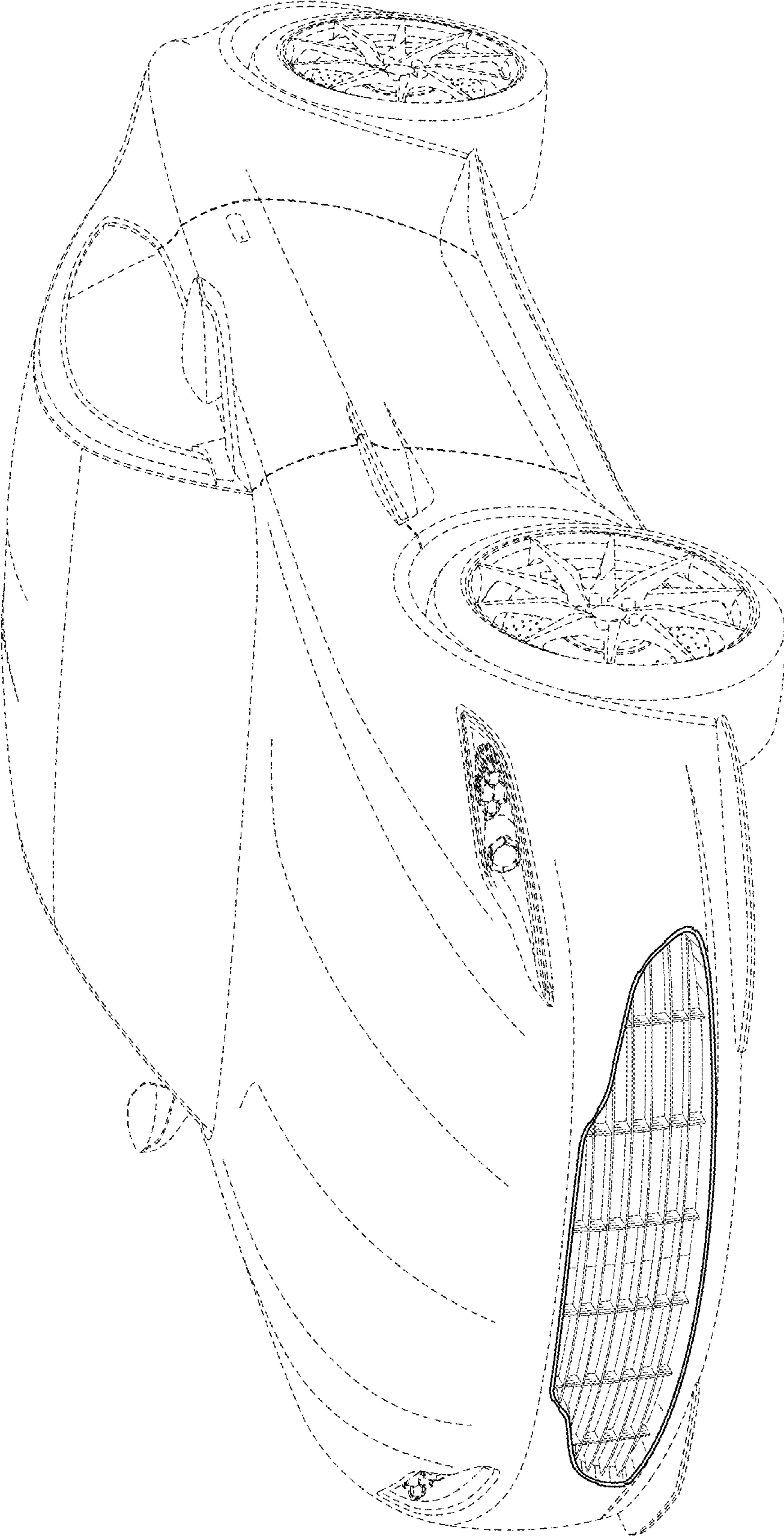


FIG. 1

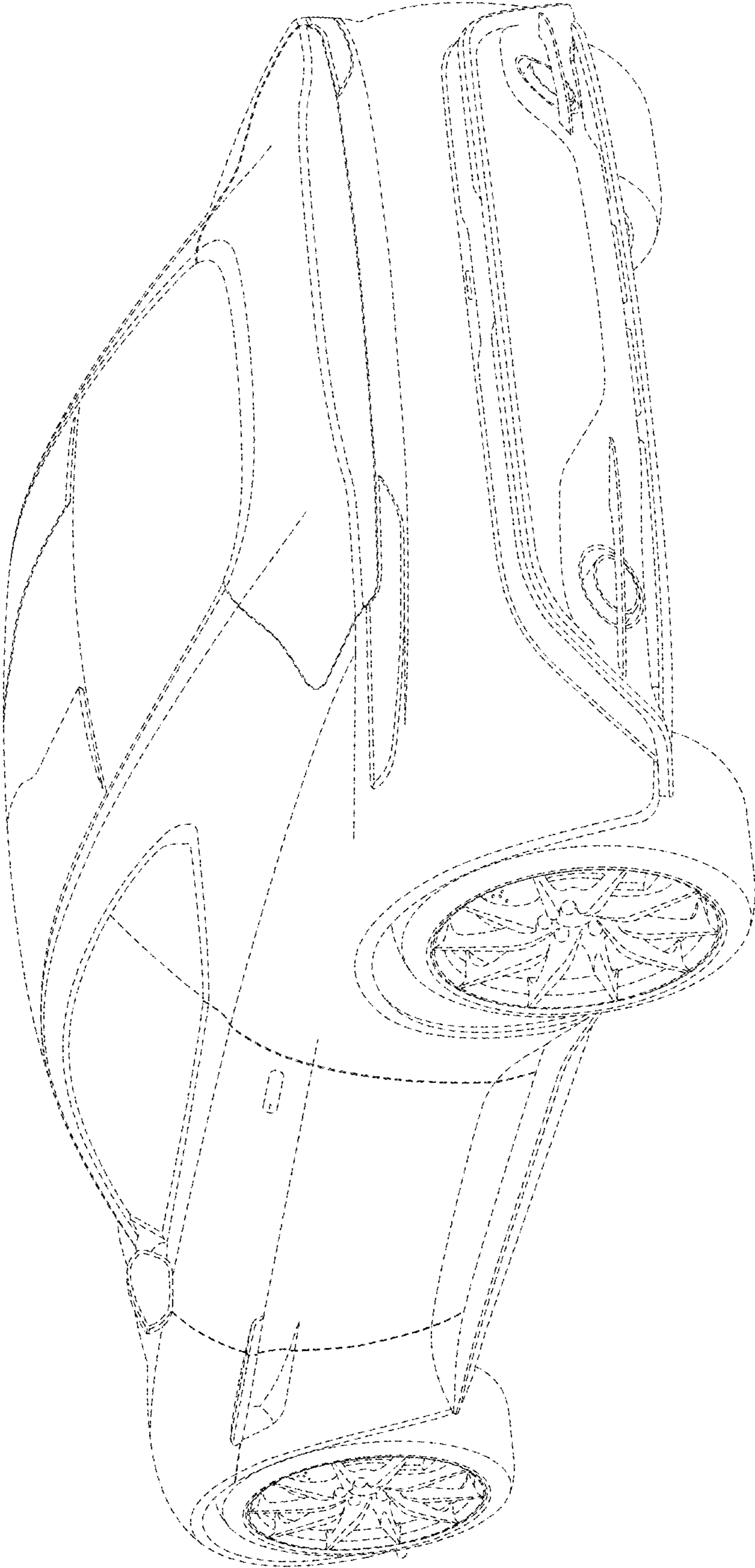


FIG. 2

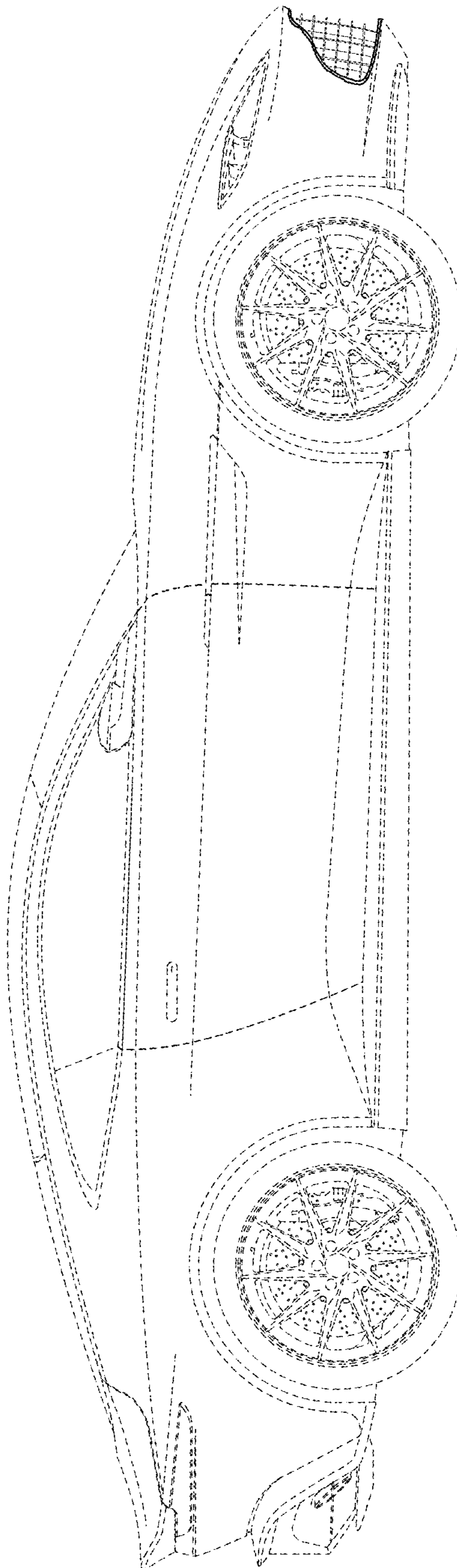


FIG. 3

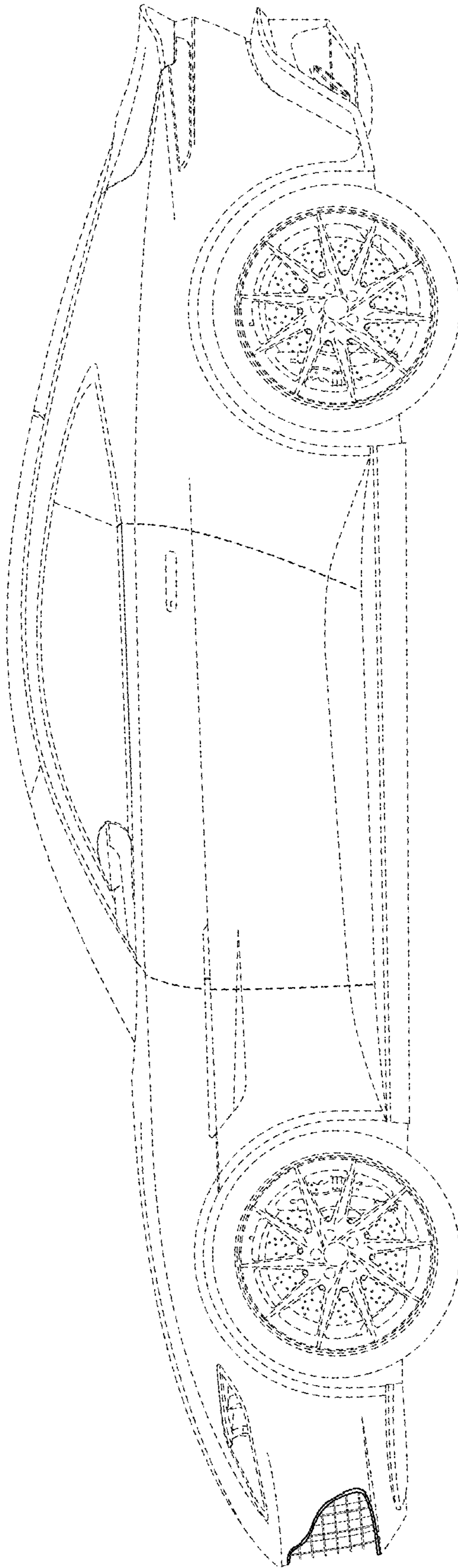


FIG. 4

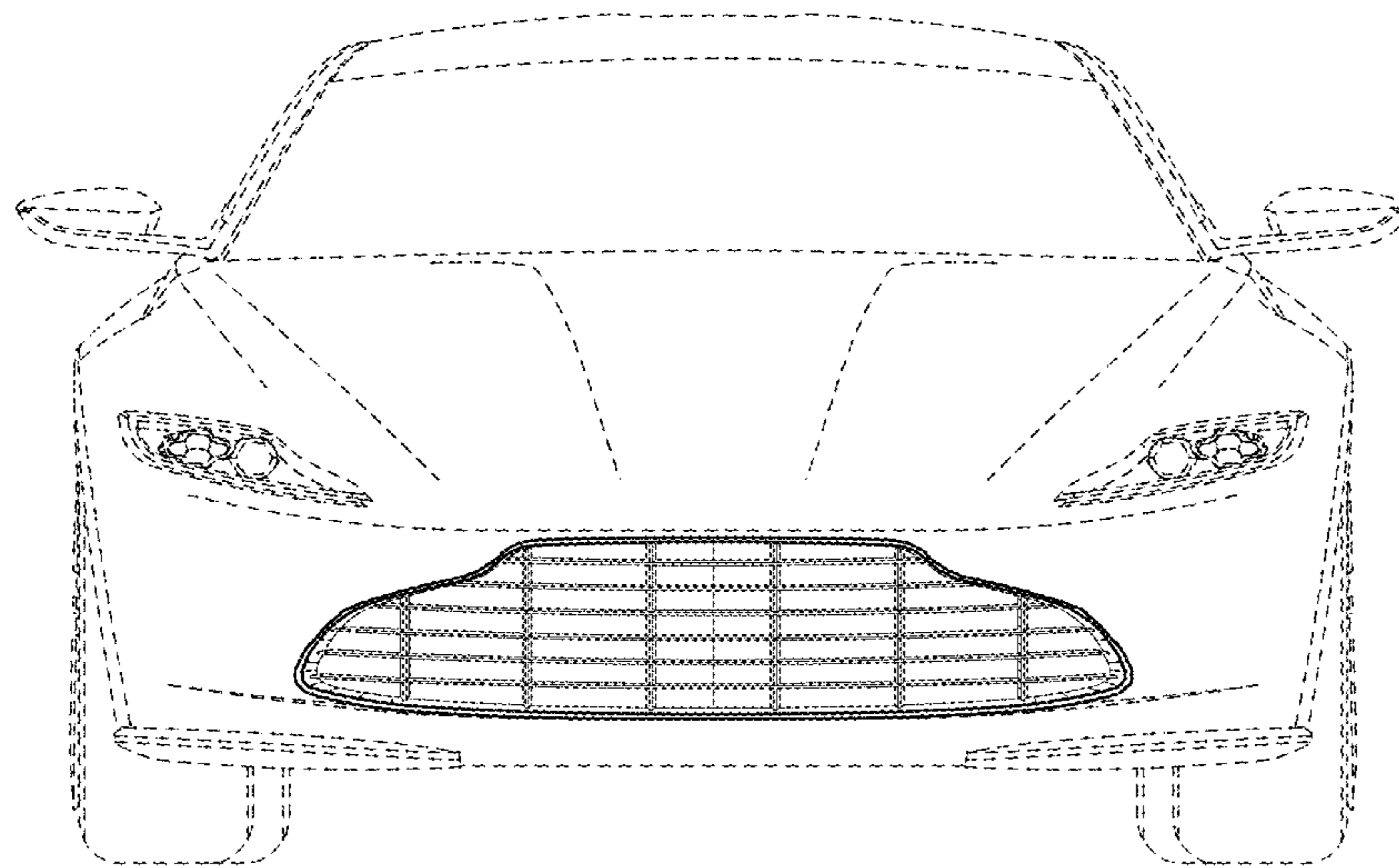


FIG. 5

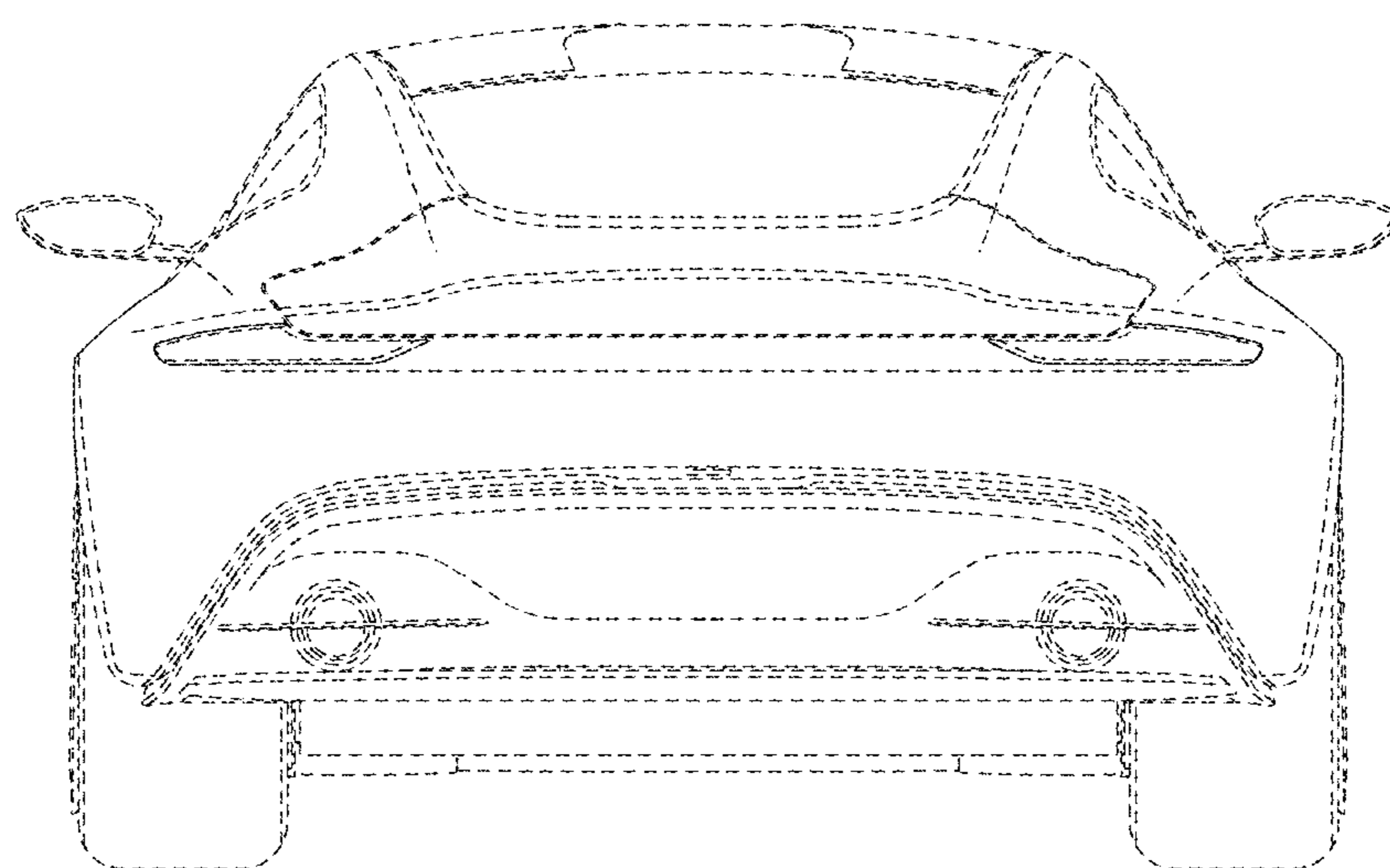


FIG. 6

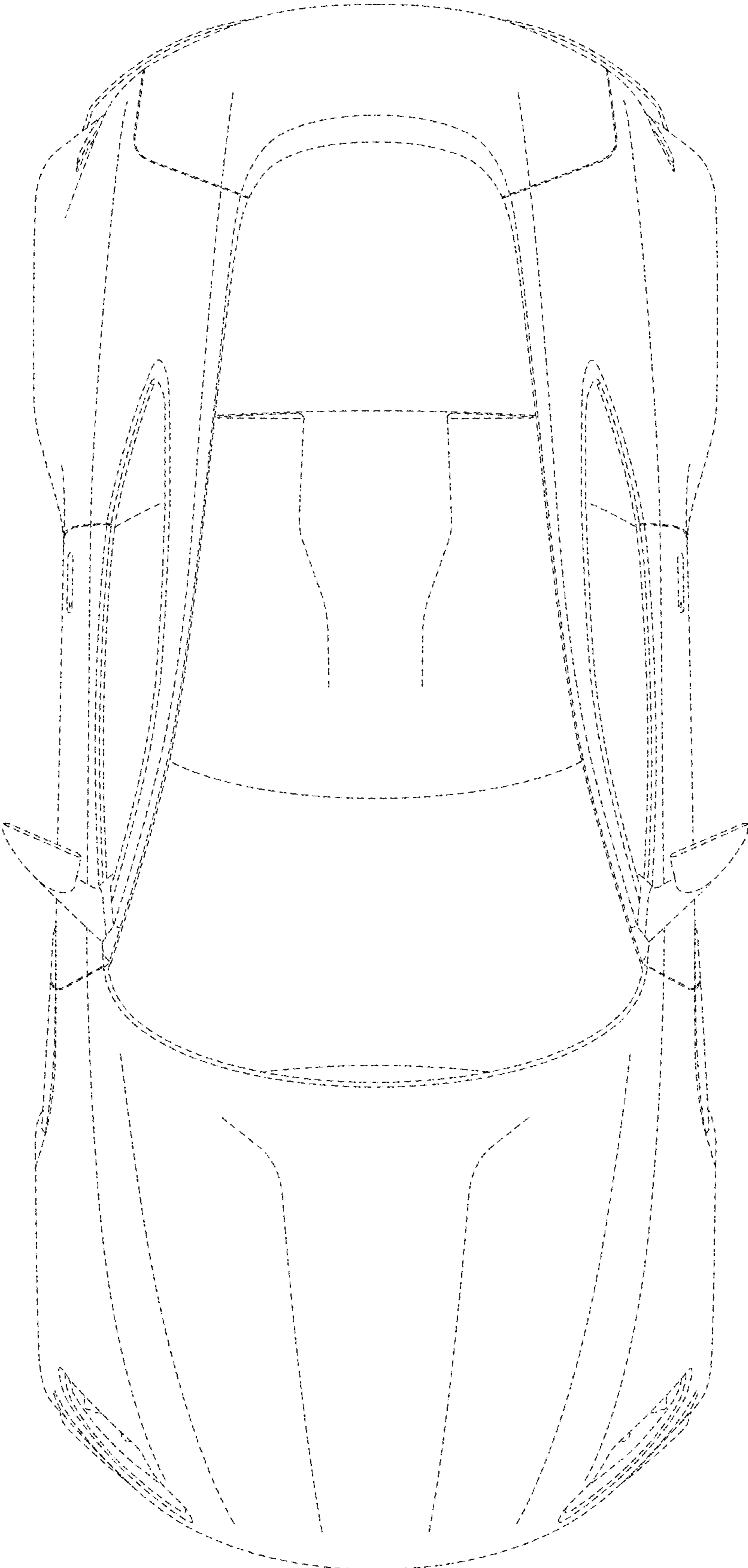


FIG. 7

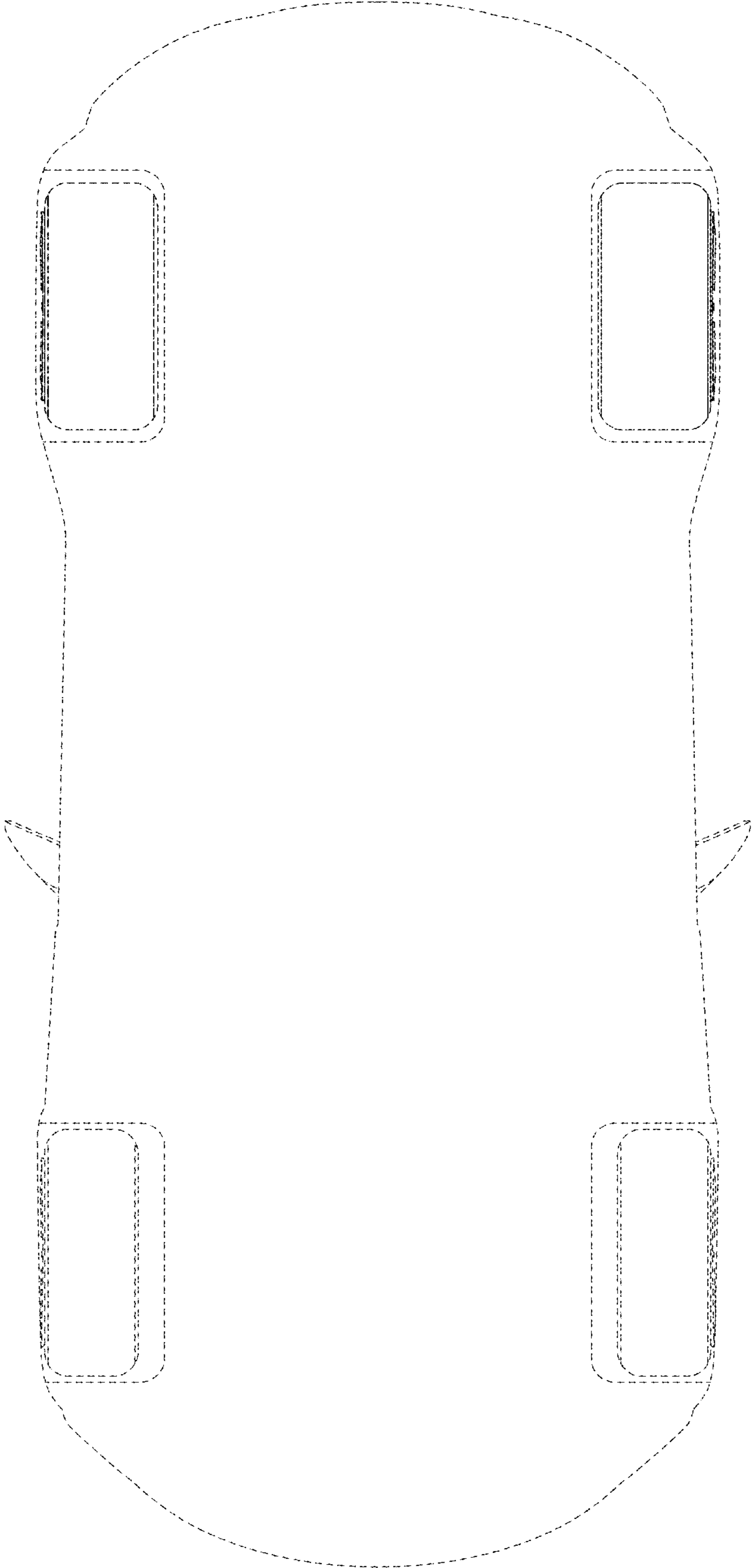


FIG. 8

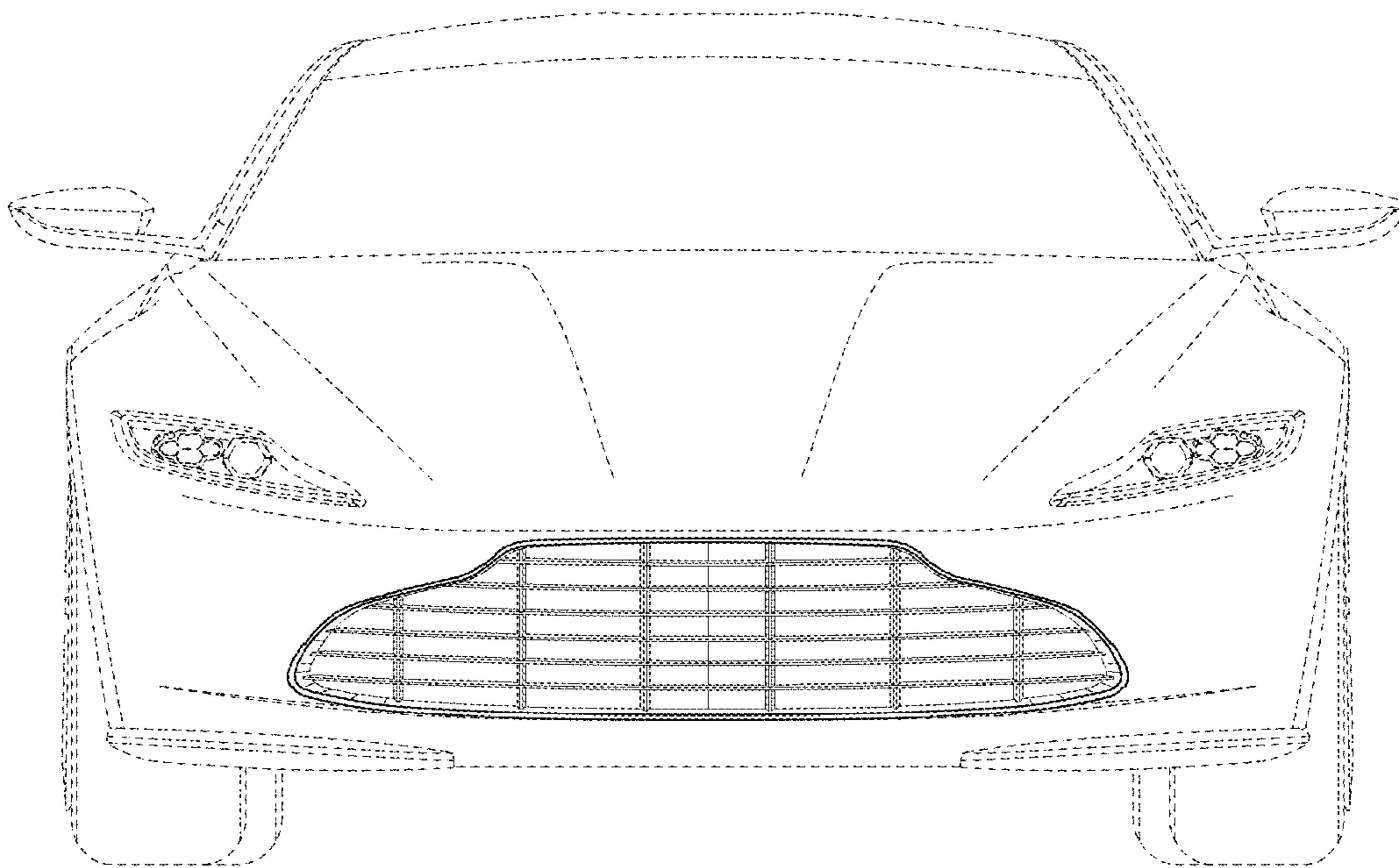


FIG. 9