



US00D774993S

(12) **United States Design Patent**
Zehfuss

(10) **Patent No.:** **US D774,993 S**

(45) **Date of Patent:** **** *Dec. 27, 2016**

(54) **BABY STROLLER FRAME**

(75) Inventor: **Mark Zehfuss**, Glen Allen, VA (US)

(73) Assignee: **BABY JOGGER, LLC**, Richmond, VA (US)

(*) Notice: This patent is subject to a terminal disclaimer.

(**) Term: **14 Years**

(21) Appl. No.: **29/390,127**

(22) Filed: **Apr. 20, 2011**

(51) **LOC (10) Cl.** **12-12**

(52) **U.S. Cl.**
USPC **D12/129**

(58) **Field of Classification Search**
USPC D12/128-133; 297/DIG. 4; 296/65.03, 296/64.04; 224/409; 280/62, 647-650, 29, 280/200, 47.38, 250.1, 259, 642, 658
CPC B26B 7/00-7/04; B26B 9/00-9/28
See application file for complete search history.

(56) **References Cited**

U.S. PATENT DOCUMENTS

D519,421 S * 4/2006 Huang D12/129
D519,422 S * 4/2006 Huang D12/129

7,267,359 B1 * 9/2007 Yang et al. 280/642
D566,013 S * 4/2008 Wang D12/129
7,364,171 B2 * 4/2008 Hu 280/47.38
D571,263 S * 6/2008 Lai D12/129
D578,045 S * 10/2008 Liao D12/129
D578,936 S * 10/2008 Chen D12/129
D579,827 S * 11/2008 Lake D12/129
D621,306 S * 8/2010 Liao D12/129

* cited by examiner

Primary Examiner — Charles Hanson

(74) *Attorney, Agent, or Firm* — Sutherland Asbill & Brennan LLP

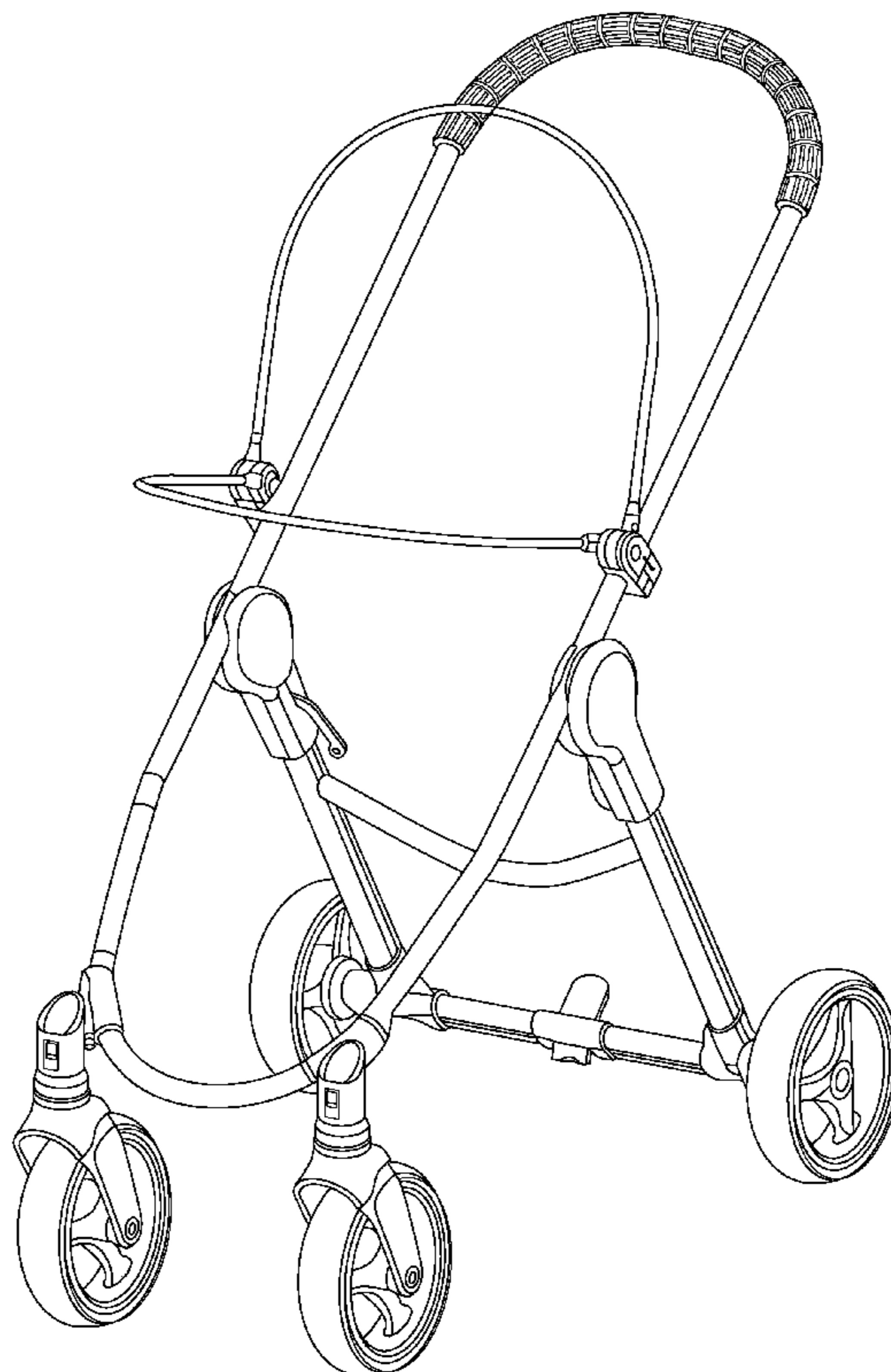
(57) **CLAIM**

The ornamental design for a baby stroller frame, as shown and described.

DESCRIPTION

FIG. 1 illustrates a perspective view of the baby stroller frame;
FIG. 2 illustrates a right side view of the baby stroller frame;
and
FIG. 3 illustrates a front view of the baby stroller frame;
FIG. 4 illustrates a back side view of the baby stroller frame;
FIG. 5 illustrates a top view of the baby stroller frame; and,
FIG. 6 illustrates a bottom view of the baby stroller frame.

1 Claim, 6 Drawing Sheets



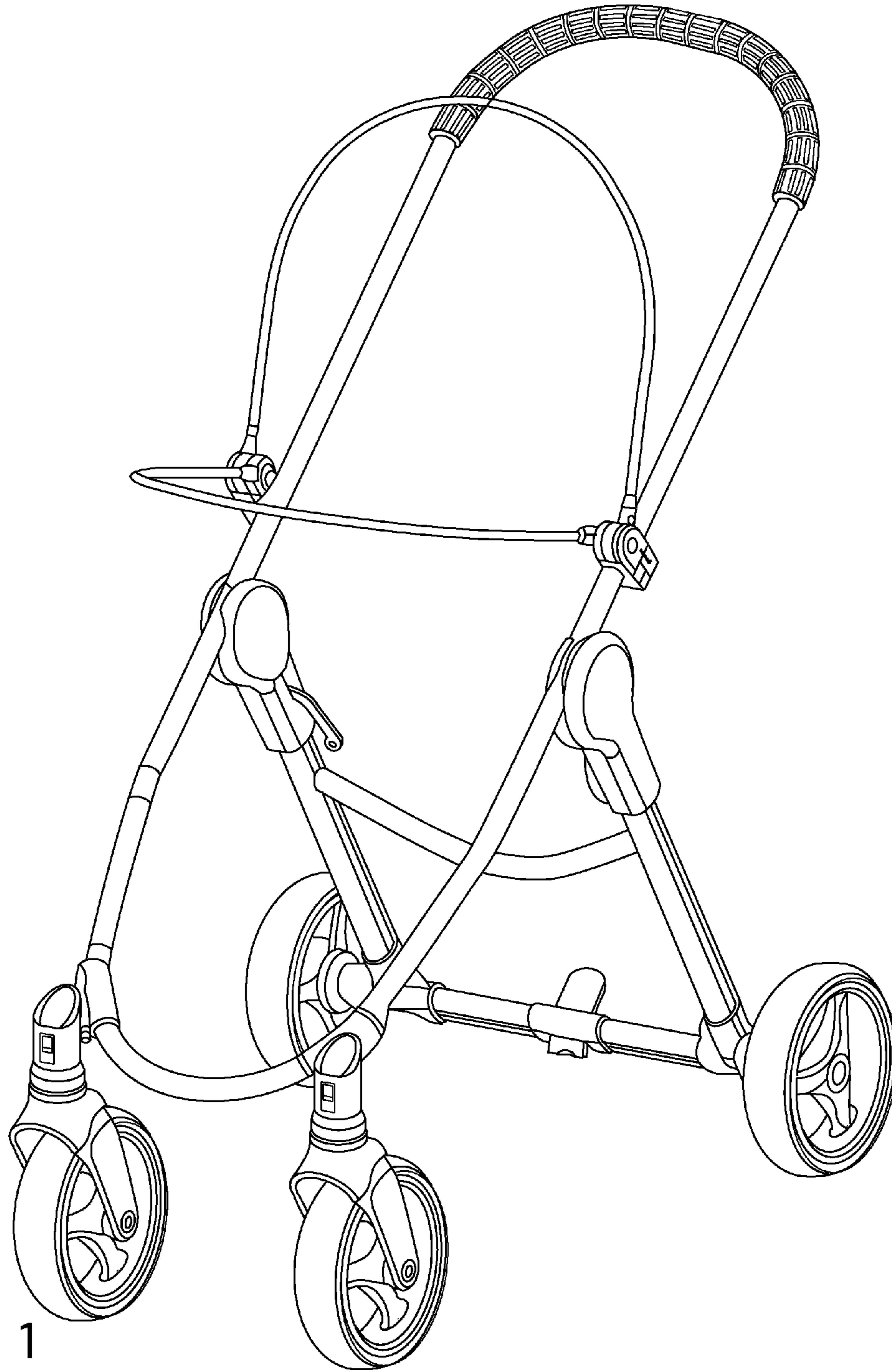


Fig. 1

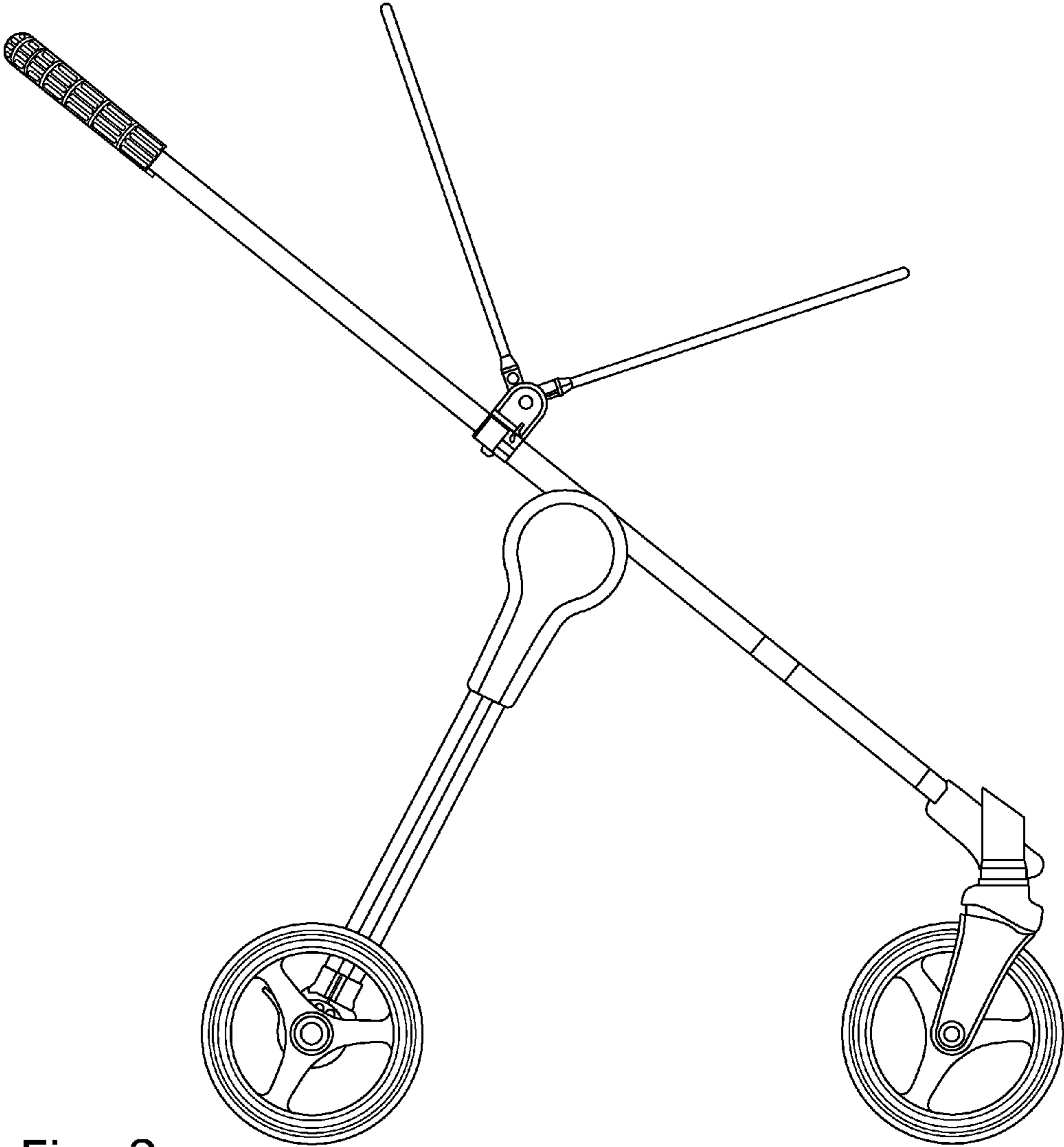


Fig. 2

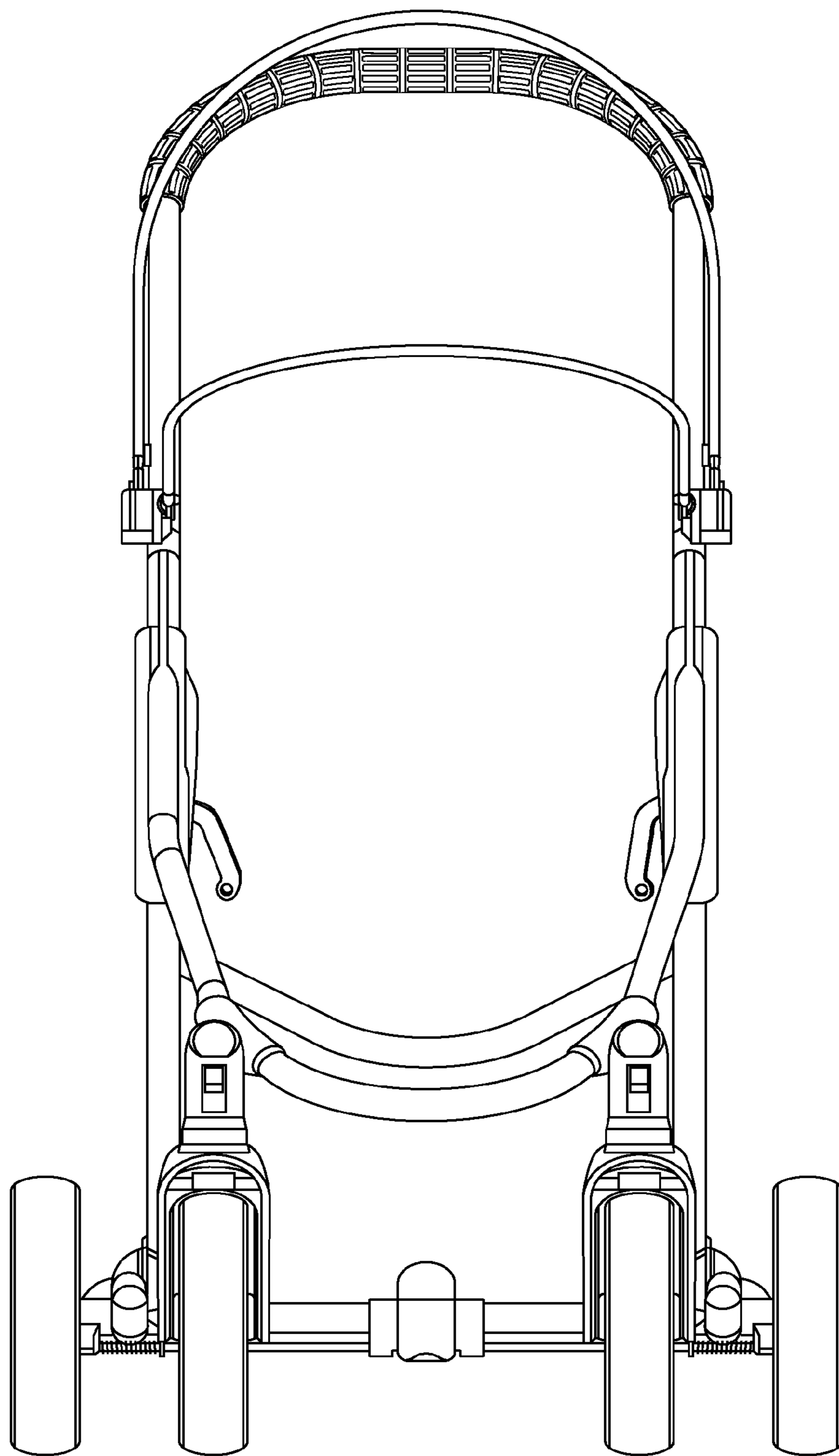


Fig. 3

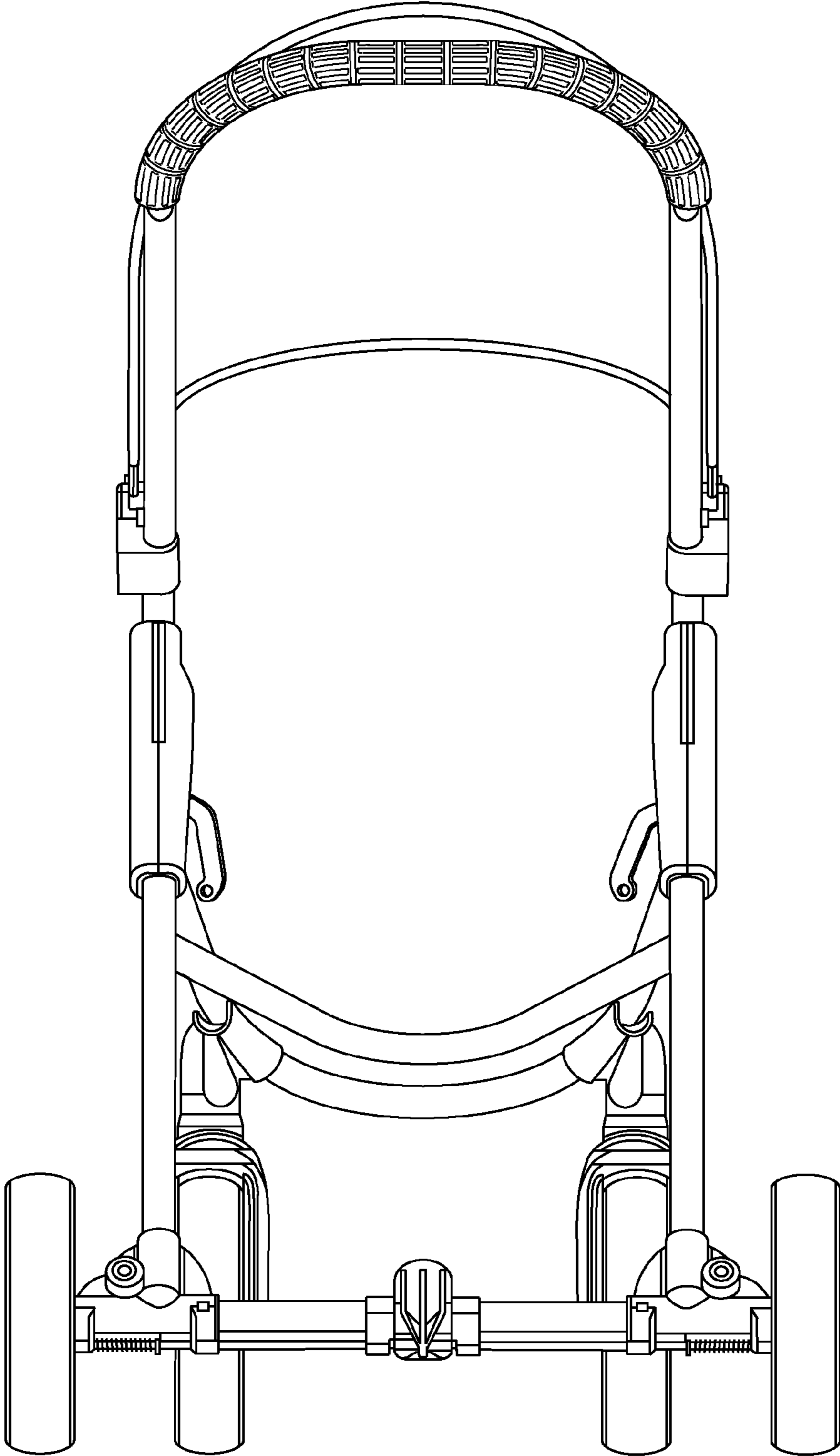


Fig. 4

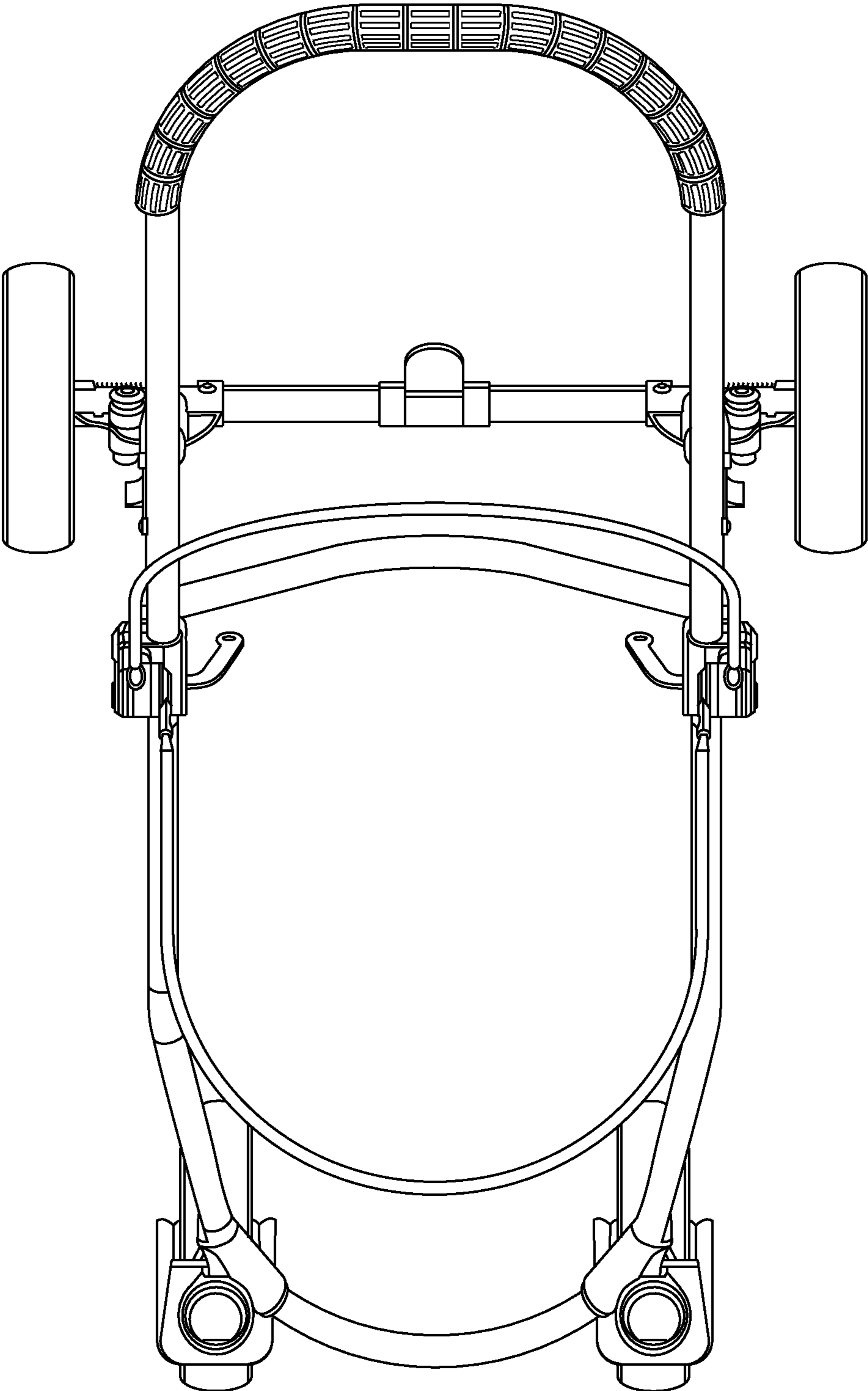


Fig. 5

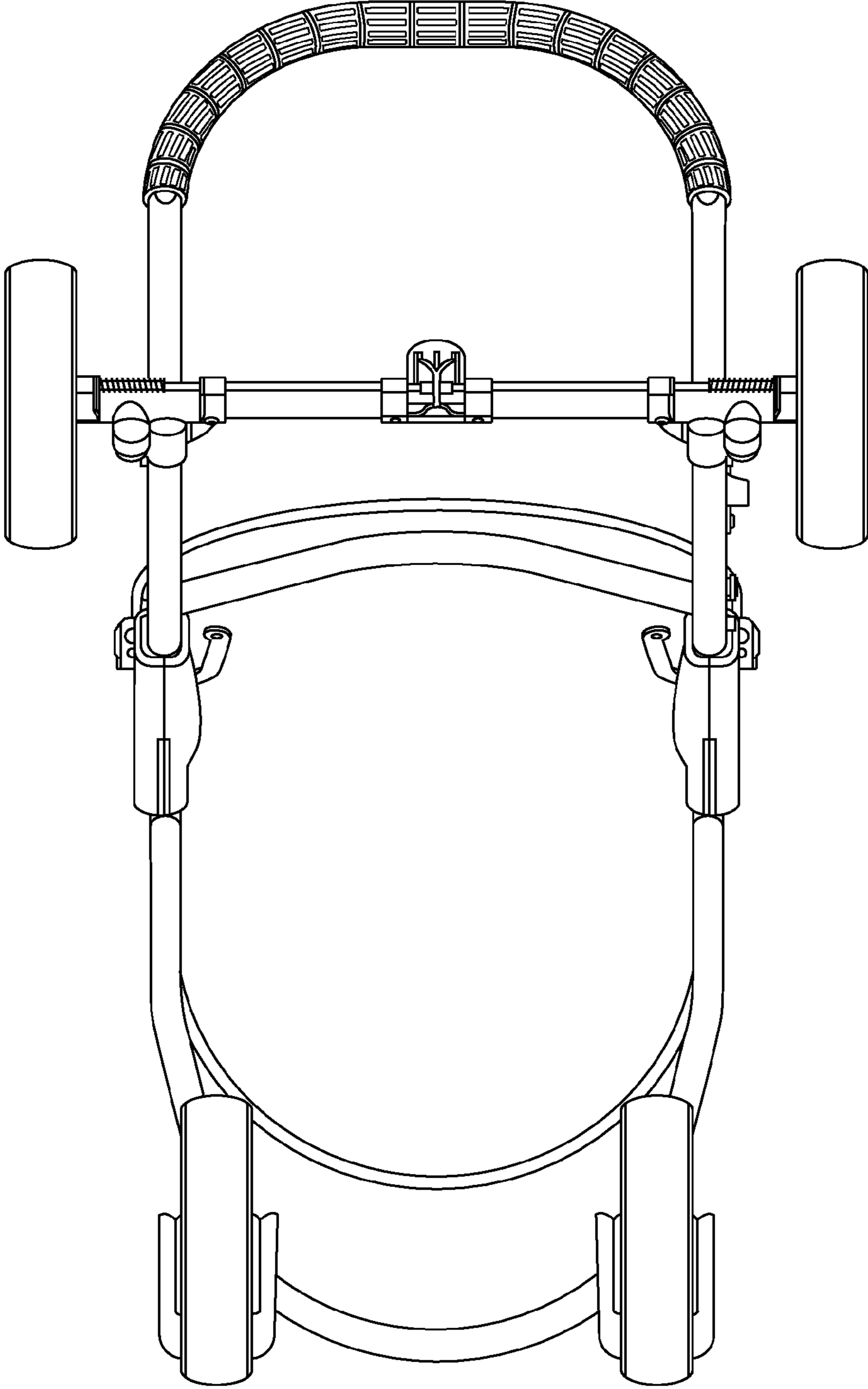


Fig. 6