



US00D774989S

(12) **United States Design Patent** (10) **Patent No.:** **US D774,989 S**  
**Hynek et al.** (45) **Date of Patent:** **\*\* Dec. 27, 2016**

(54) <b>BATTERY BOX FOR A MOTORCYCLE</b>	D499,989 S * 12/2004 Snyder ..... D12/114
	6,837,509 B2 * 1/2005 Welch ..... B62J 27/00
(71) Applicants: <b>Martin Hynek</b> , Plzen (CZ); <b>Eduard Muller</b> , Most (CZ); <b>Josef Formanek</b> , Nezvestice (CZ)	D537,388 S * 2/2007 Martell ..... D12/126
	D567,150 S * 4/2008 Woodin ..... D12/126
	D595,191 S * 6/2009 Madden ..... D12/126
	D596,537 S * 7/2009 Madden ..... D12/126
(72) Inventors: <b>Martin Hynek</b> , Plzen (CZ); <b>Eduard Muller</b> , Most (CZ); <b>Josef Formanek</b> , Nezvestice (CZ)	D596,538 S * 7/2009 May ..... D12/126
	D610,050 S * 2/2010 Madden ..... D12/126
	D624,854 S * 10/2010 Burns ..... D12/126
	D637,529 S * 5/2011 Burns ..... D12/126
(73) Assignee: <b>ZAPADOCESKA UNIVERZITA V PLZNI</b> , Plzen (CZ)	D675,964 S * 2/2013 Mirabal ..... D12/126

(Continued)

(\*\*) Term: **15 Years**

(21) Appl. No.: **29/533,897**

(22) Filed: **Jul. 23, 2015**

(51) **LOC (10) Cl.** ..... **12-11**

(52) **U.S. Cl.**  
USPC ..... **D12/126**

(58) **Field of Classification Search**  
USPC ..... D12/110, 114; D13/112, 113, 117-119, D13/122, 184; 180/68.4, 68.5, 68.6; 339/90; 429/72, 82, 96, 100, 123, 163, 429/175, 177, 180  
CPC ..... B62J 23/00; B62M 6/90; H01M 10/613  
See application file for complete search history.

(56) **References Cited**

U.S. PATENT DOCUMENTS

D245,412 S *	8/1977	Ray	.....	D12/126
D272,729 S *	2/1984	Stahel	.....	D12/126
D274,053 S *	5/1984	Stahel	.....	D12/126
D274,803 S *	7/1984	Hughes	.....	D12/126
D293,567 S *	1/1988	Nagy	.....	D13/119
D400,126 S *	10/1998	Hutchins	.....	D12/114
D408,828 S *	4/1999	Golden	.....	D12/126
6,017,652 A *	1/2000	Schreib	.....	B62J 23/00
				180/68.5
D486,761 S *	2/2004	Meyers	.....	D12/126
D490,347 S *	5/2004	Meyers	.....	D12/126
D490,752 S *	6/2004	Meyers	.....	D12/126

OTHER PUBLICATIONS

“2004 Triumph Thruxton—The Speed Merchant.” Pipe Burn Moto Goodness., May 19, 2012 [online], [retrieved on Aug. 11, 2016]. Retrieved from the Internet <URL: <http://www.pipeburn.com/home/2012/05/19/2004-triumph-thruxton-the-speed-merchant.html>>.\*

(Continued)

Primary Examiner — Darlington Ly

(57) **CLAIM**

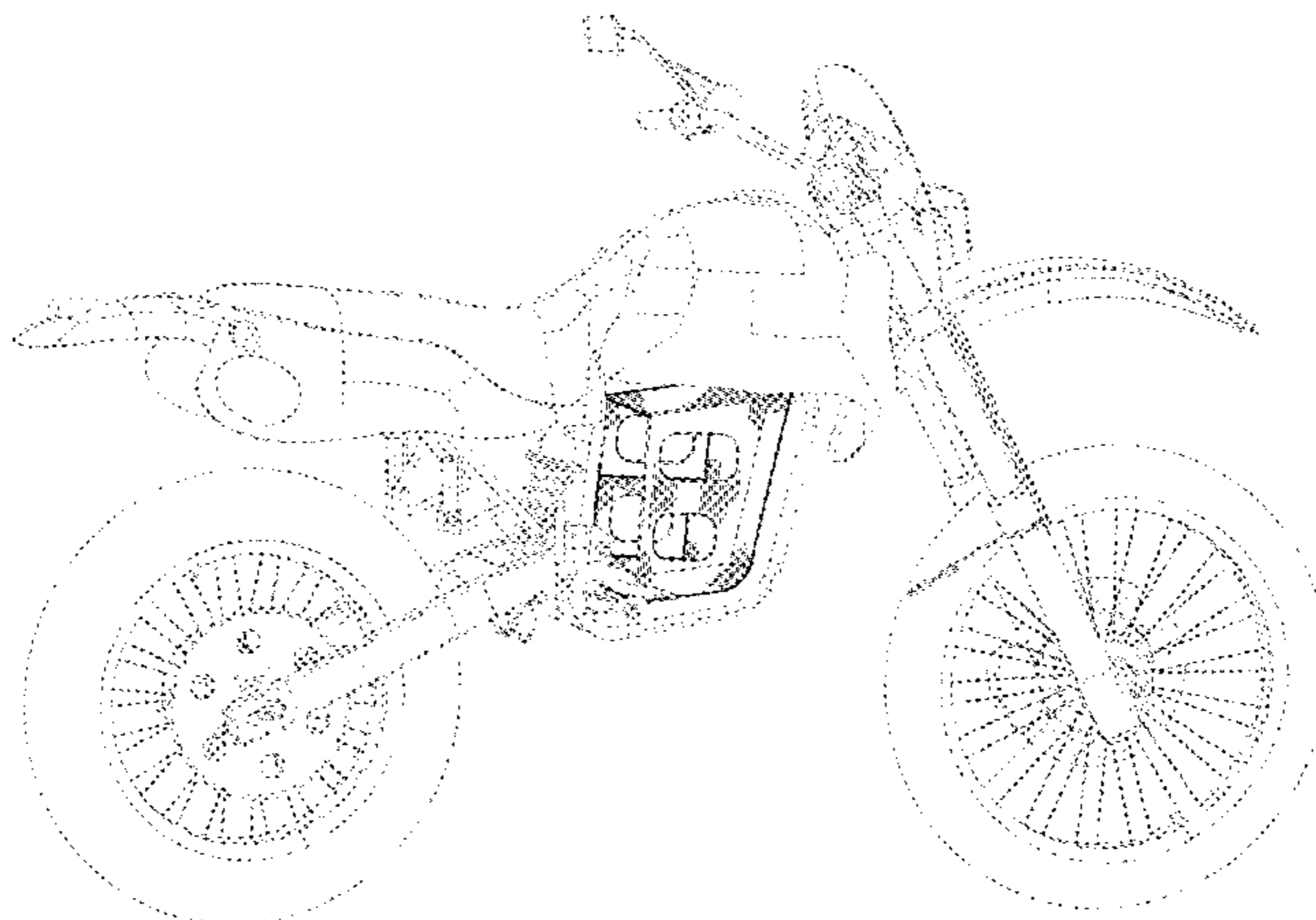
The ornamental design for a battery box for a motorcycle, as shown and described.

**DESCRIPTION**

FIG. 1 is a perspective side view of a battery box for a motorcycle assembly showing my new design; FIG. 2 is a perspective back view thereof; FIG. 3 is a perspective front view thereof; FIG. 4 is a front elevational view thereof; FIG. 5 is a top plan view thereof; and, FIG. 6 is a side elevational view taken from the right of FIG. 4.

The broken lines showing the motorcycle is provided for the purposes of illustrating environmental structure and forms no part of the claimed design.

**1 Claim, 3 Drawing Sheets**



(56)

**References Cited**

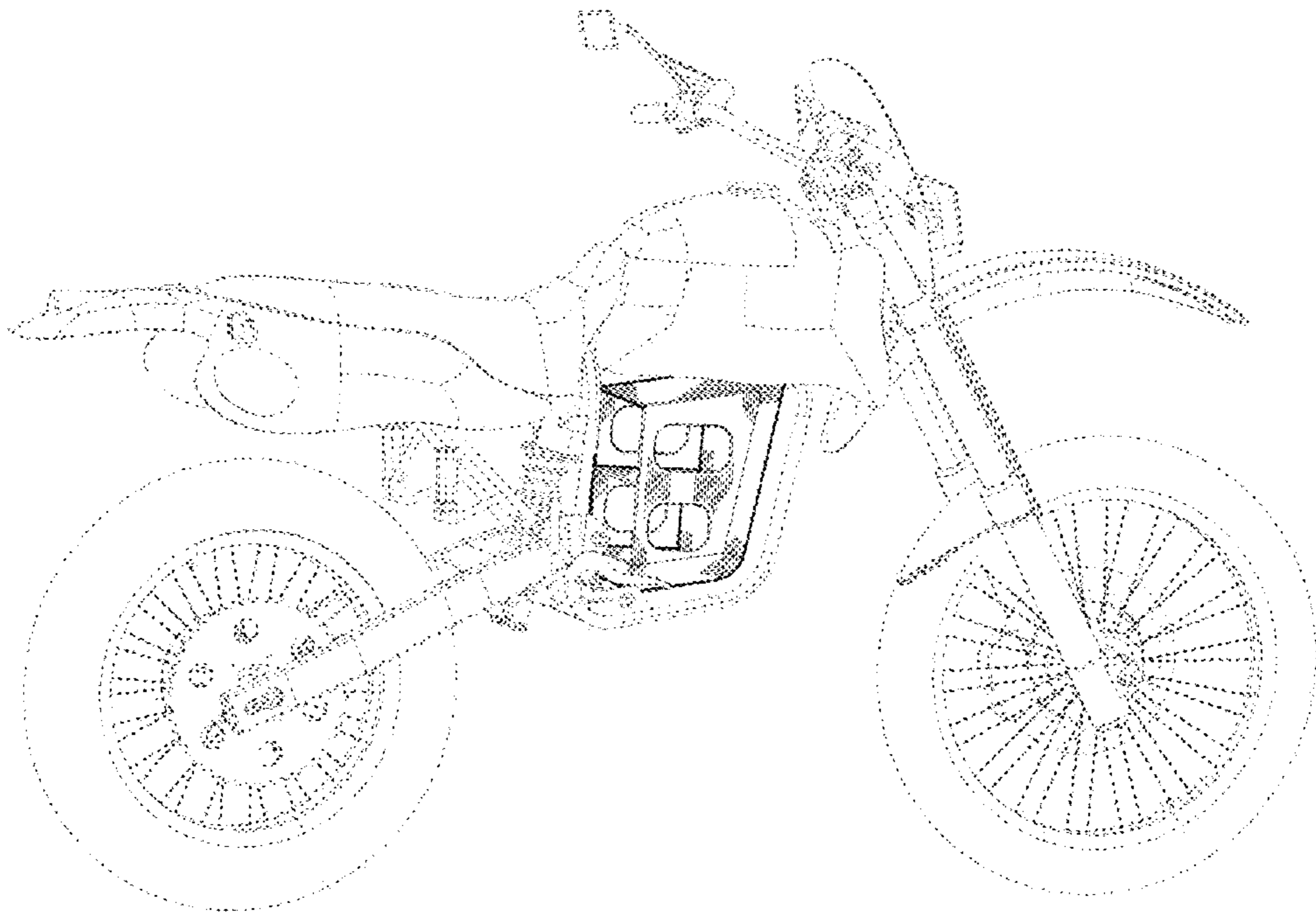
U.S. PATENT DOCUMENTS

D716,704 S \* 11/2014 Schanz ..... D12/126  
D720,696 S \* 1/2015 Huang ..... D13/119  
2014/0020969 A1\* 1/2014 Okada ..... H01M 2/1072  
180/68.5  
2016/0068224 A1\* 3/2016 Rasmussen ..... H01M 10/486  
180/220

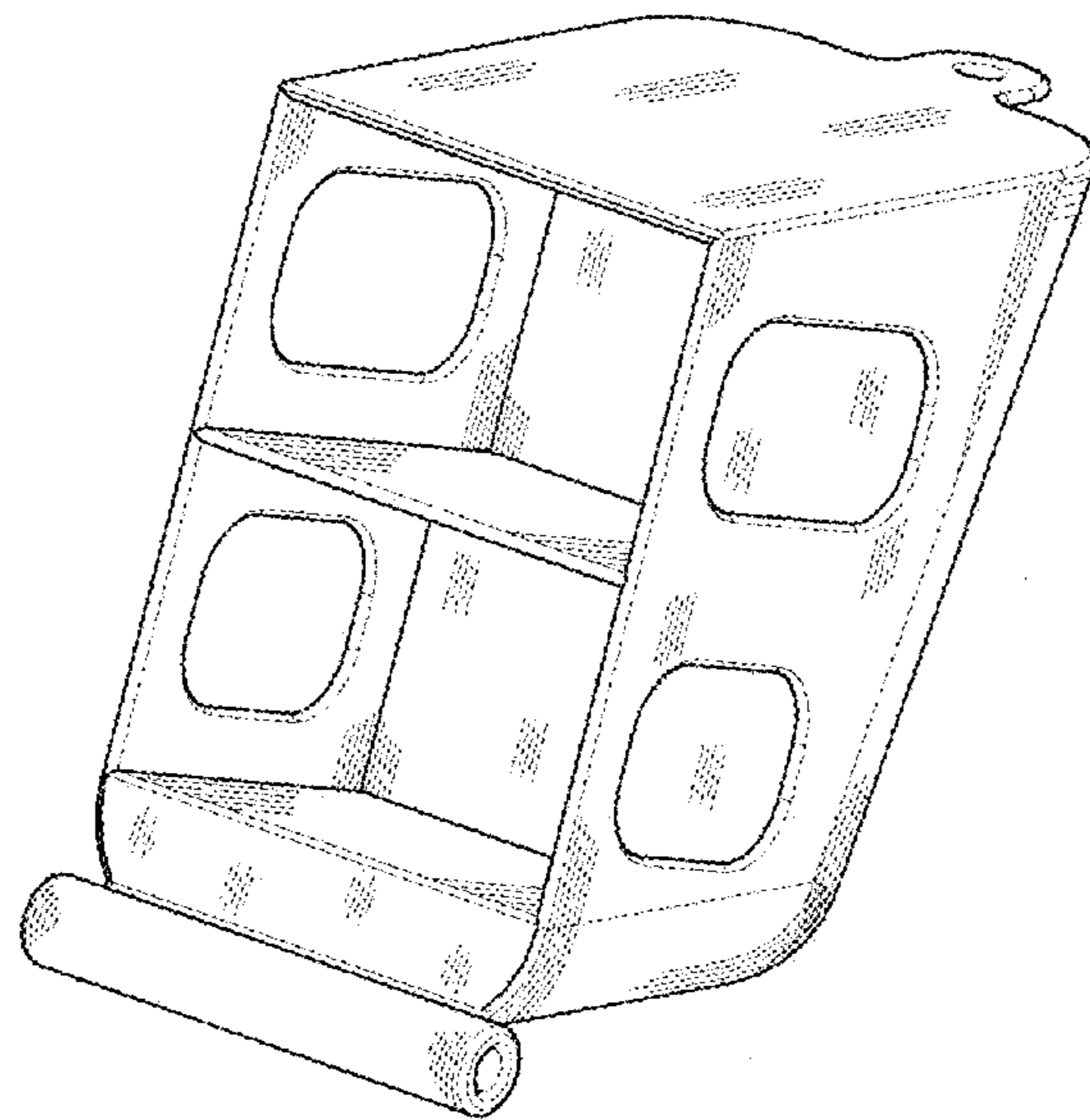
OTHER PUBLICATIONS

“Aluminum Battery Box.” Cyril Huze Post., May 6, 2010 [online],  
[retrieved on Aug. 11, 2016]. Retrieved from the Internet <URL:  
<http://cyrilhuzeblog.com/2010/05/06/aluminum-battery-box/>>.\*

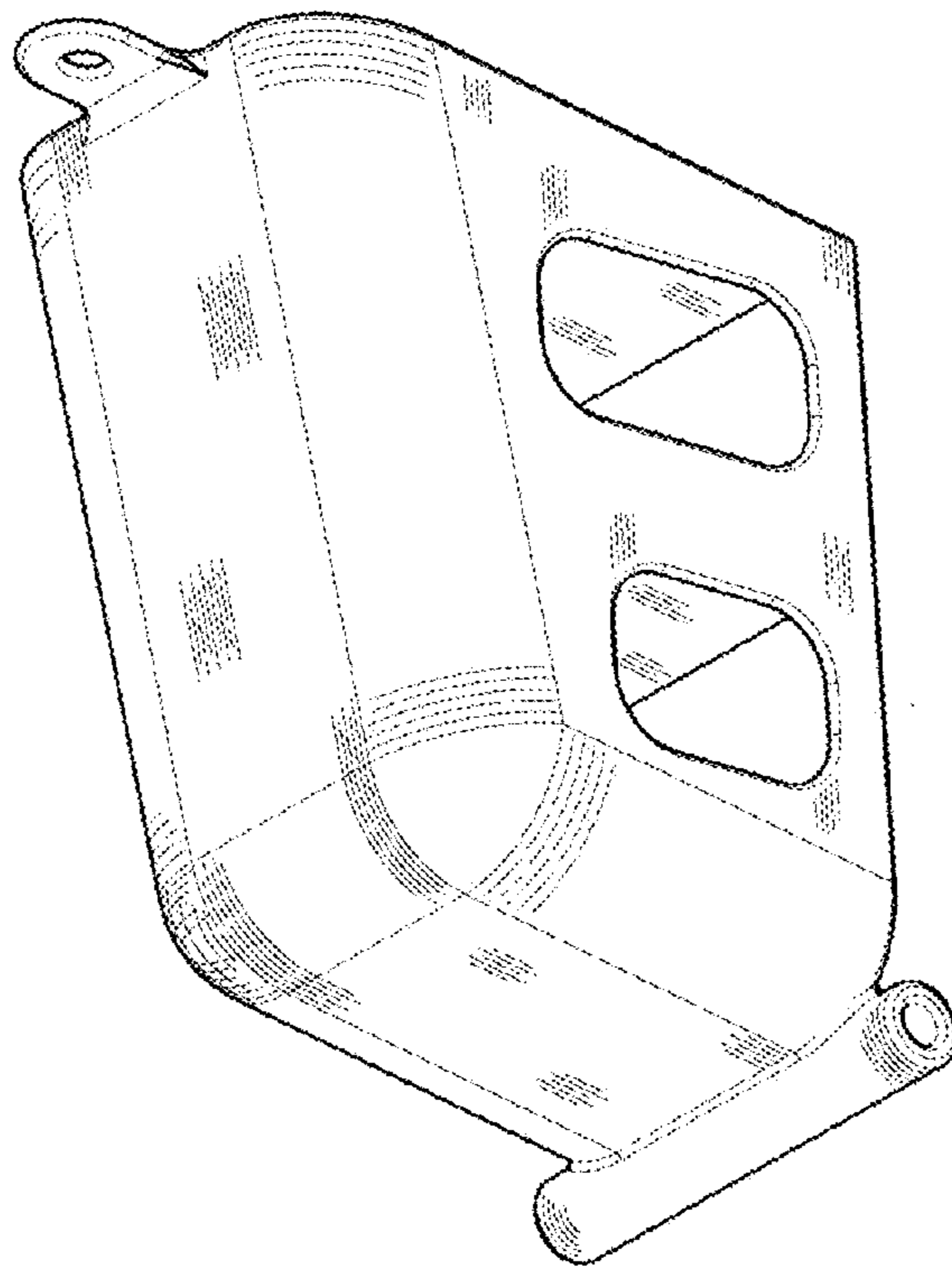
\* cited by examiner



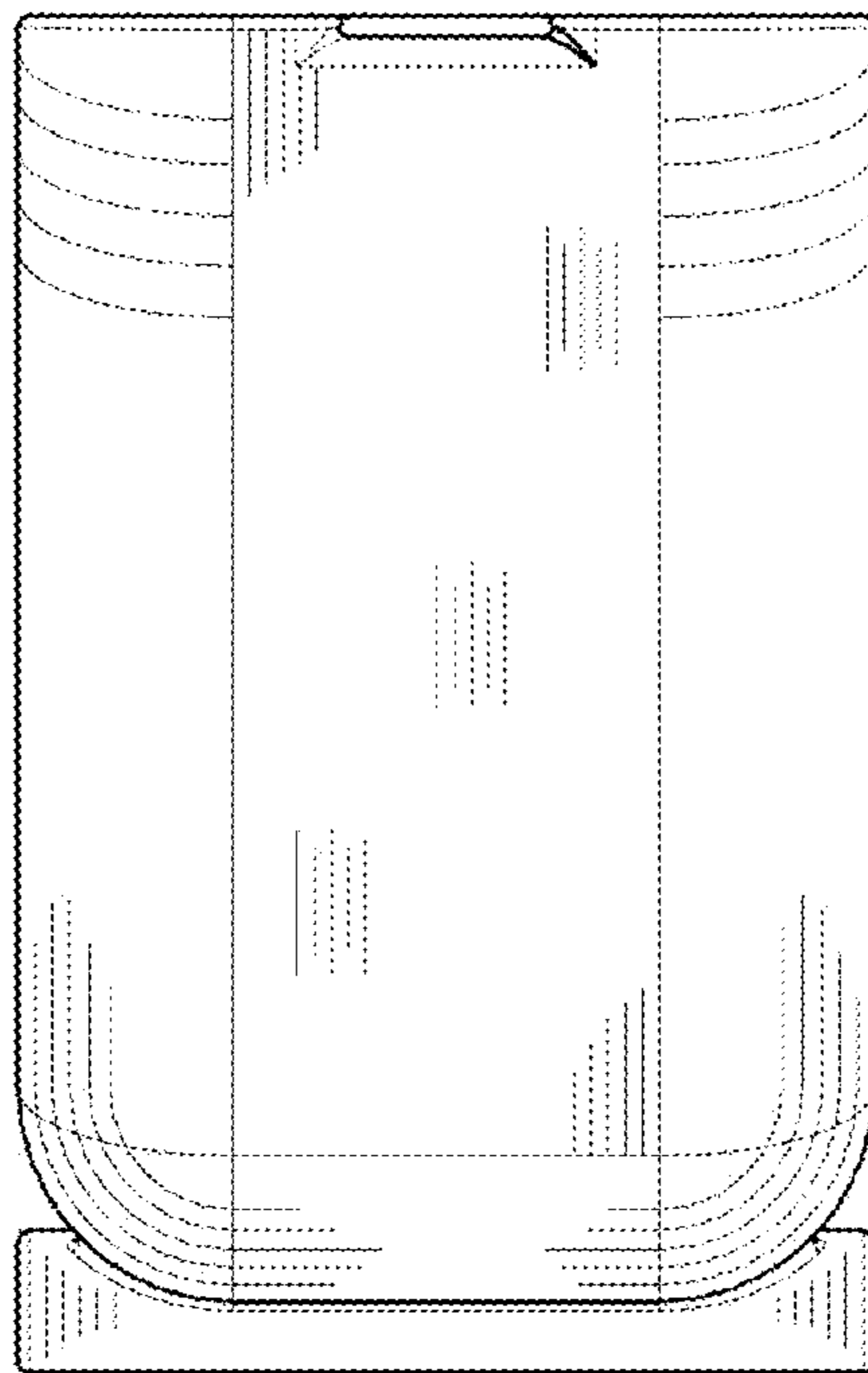
**FIGURE 1**



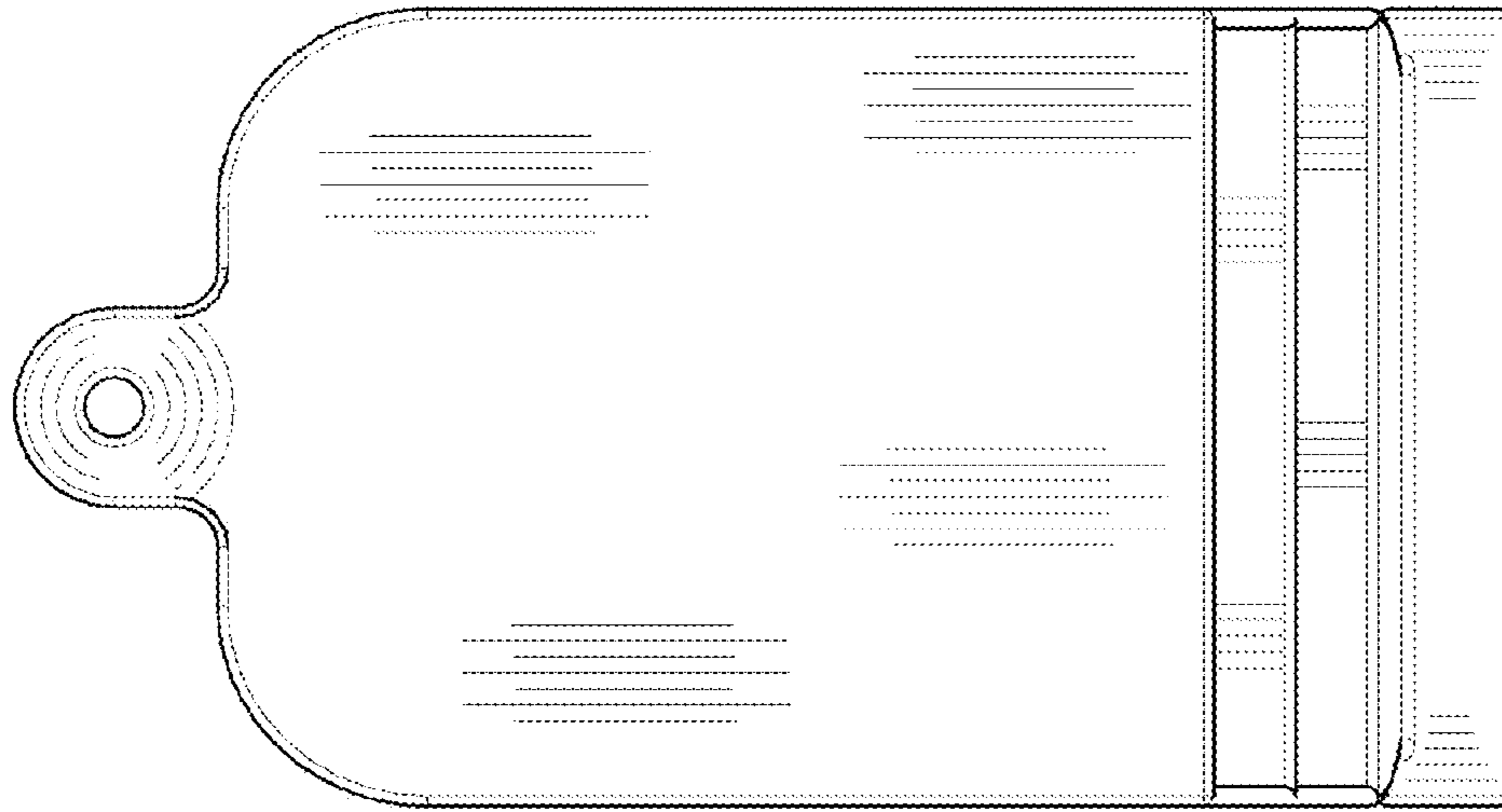
**FIGURE 2**



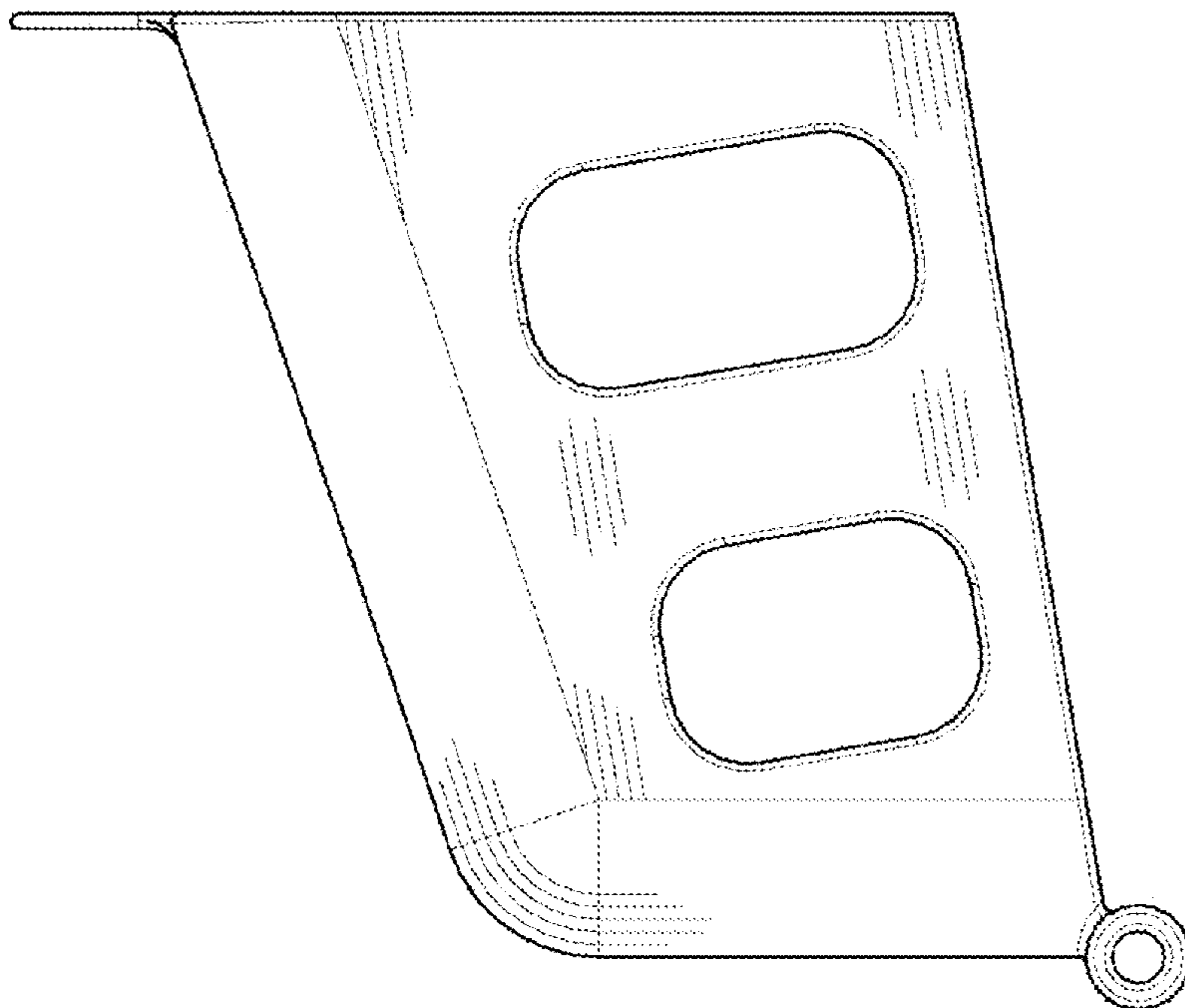
**FIGURE 3**



**FIGURE 4**



**FIGURE 5**



**FIGURE 6**