



US00D774985S

(12) **United States Design Patent** (10) **Patent No.:** **US D774,985 S**  
**Luke et al.** (45) **Date of Patent:** **\*\* Dec. 27, 2016**

(54) **FRONT FORK UNIT FOR VEHICLE**  
(71) Applicant: **Gogoro Inc.**, Hong Kong (CN)  
(72) Inventors: **Hok-Sum Horace Luke**, Mercer Island, WA (US); **Chien-Chih Weng**, New Taipei (TW); **Hsin-Wen Su**, Taipei (TW); **Song-Fu Wang**, Taipei (TW)

5,833,259 A \* 11/1998 Stewart ..... B62K 25/08  
280/276  
5,924,715 A \* 7/1999 Norem ..... B62K 25/08  
280/152.1  
D413,839 S \* 9/1999 Hanlon ..... D12/118  
D417,416 S \* 12/1999 Storz ..... D12/118  
(Continued)

**FOREIGN PATENT DOCUMENTS**

(73) Assignee: **GOGORO INC.**, Hong Kong (CN)

TW D114554 12/2006  
TW D141327 7/2011

(\*\*) Term: **14 Years**

**OTHER PUBLICATIONS**

(21) Appl. No.: **29/507,637**

Taiwanese Office Action with English translation, dated Aug. 7, 2015, for corresponding TW Application No. 103306734, 7 pages.  
(Continued)

(22) Filed: **Oct. 29, 2014**

(51) **LOC (10) Cl.** ..... **12-11**

(52) **U.S. Cl.**  
USPC ..... **D12/118**

*Primary Examiner* — Darlington Ly  
(74) *Attorney, Agent, or Firm* — Seed IP Law Group LLP

(58) **Field of Classification Search**  
USPC ..... D12/110, 111, 117, 118; D21/432, 458, D21/538; 180/219; 280/274-279, 281.1, 280/288.1-288.3  
CPC ..... B62K 21/02; B62K 25/08; B62K 25/16  
See application file for complete search history.

(57) **CLAIM**

The ornamental design for a front fork unit for vehicle, as shown and described.

**DESCRIPTION**

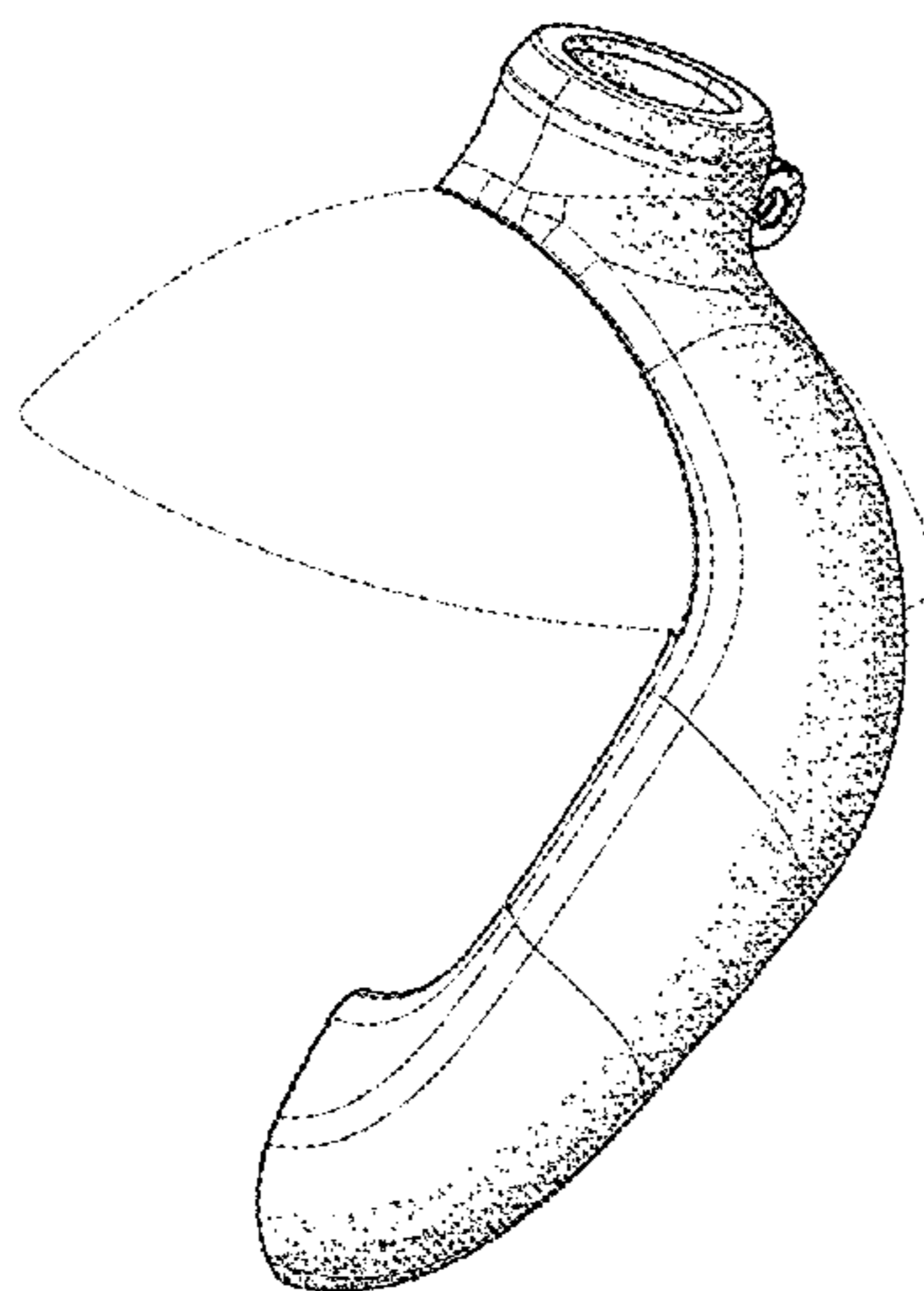
(56) **References Cited**

**U.S. PATENT DOCUMENTS**

D219,568 S \* 12/1970 Stiller et al. .... D12/118  
4,327,928 A \* 5/1982 Chalmers ..... B62K 25/08  
280/277  
4,536,005 A 8/1985 Tanaka et al.  
4,561,669 A \* 12/1985 Simons ..... B62K 25/08  
180/219  
4,620,713 A \* 11/1986 Sakaguchi ..... B62J 15/00  
280/152.3  
4,715,465 A 12/1987 Takahashi et al.  
4,719,983 A 1/1988 Bruzzone  
4,800,980 A 1/1989 Hideo et al.  
D314,166 S 1/1991 Shively et al.  
D361,741 S 8/1995 Sofue et al.  
D399,174 S 10/1998 Takeshita et al.

FIG. 1 is a front perspective view of a front fork unit for vehicle showing our new design;  
FIG. 2 is a rear perspective view thereof;  
FIG. 3 is a front elevation view thereof;  
FIG. 4 is a rear elevation view thereof;  
FIG. 5 is a right side elevation view thereof;  
FIG. 6 is a top plan view thereof;  
FIG. 7 is a bottom plan view thereof; and,  
FIG. 8 is a front perspective view thereof showing environmental structure of a vehicle.  
The broken lines showing the vehicle are intended to illustrate environmental structure for the claimed design and form no part of the claimed design.

**1 Claim, 8 Drawing Sheets**



(56)

**References Cited**

U.S. PATENT DOCUMENTS

6,412,803 B1 \* 7/2002 Lalikyan ..... B62K 25/02  
280/276  
D480,661 S 10/2003 Kawawa et al.  
D483,302 S \* 12/2003 James ..... D12/118  
D490,750 S 6/2004 Hoshino  
D503,908 S 4/2005 Tomomatsu et al.  
D514,987 S 2/2006 Hsiao  
D524,700 S \* 7/2006 Savage ..... D12/118  
D529,415 S 10/2006 Shimada et al.  
D537,386 S 2/2007 Mizuta et al.  
D537,756 S 3/2007 Kitayama et al.  
D545,726 S \* 7/2007 Francis ..... D12/118  
D574,300 S 8/2008 Kitayama et al.  
D602,402 S 10/2009 Takahashi et al.  
D610,490 S 2/2010 Wong  
D629,721 S 12/2010 Takeno et al.  
D644,961 S 9/2011 Watanabe et al.  
D654,402 S 2/2012 Lambri et al.  
D657,722 S 4/2012 Lambri et al.  
D662,860 S 7/2012 Devernay et al.  
D670,205 S 11/2012 Takakuwa et al.  
D678,128 S 3/2013 Lambri et al.  
D678,129 S 3/2013 Kubota et al.  
D726,076 S 4/2015 Arai et al.  
2005/0023795 A1 \* 2/2005 Czysz ..... B62K 25/08  
280/276

OTHER PUBLICATIONS

Taiwanese Office Action with English Translation dated Jun. 11, 2015, for corresponding TW Application No. 103306726, 6 pages.

\* cited by examiner

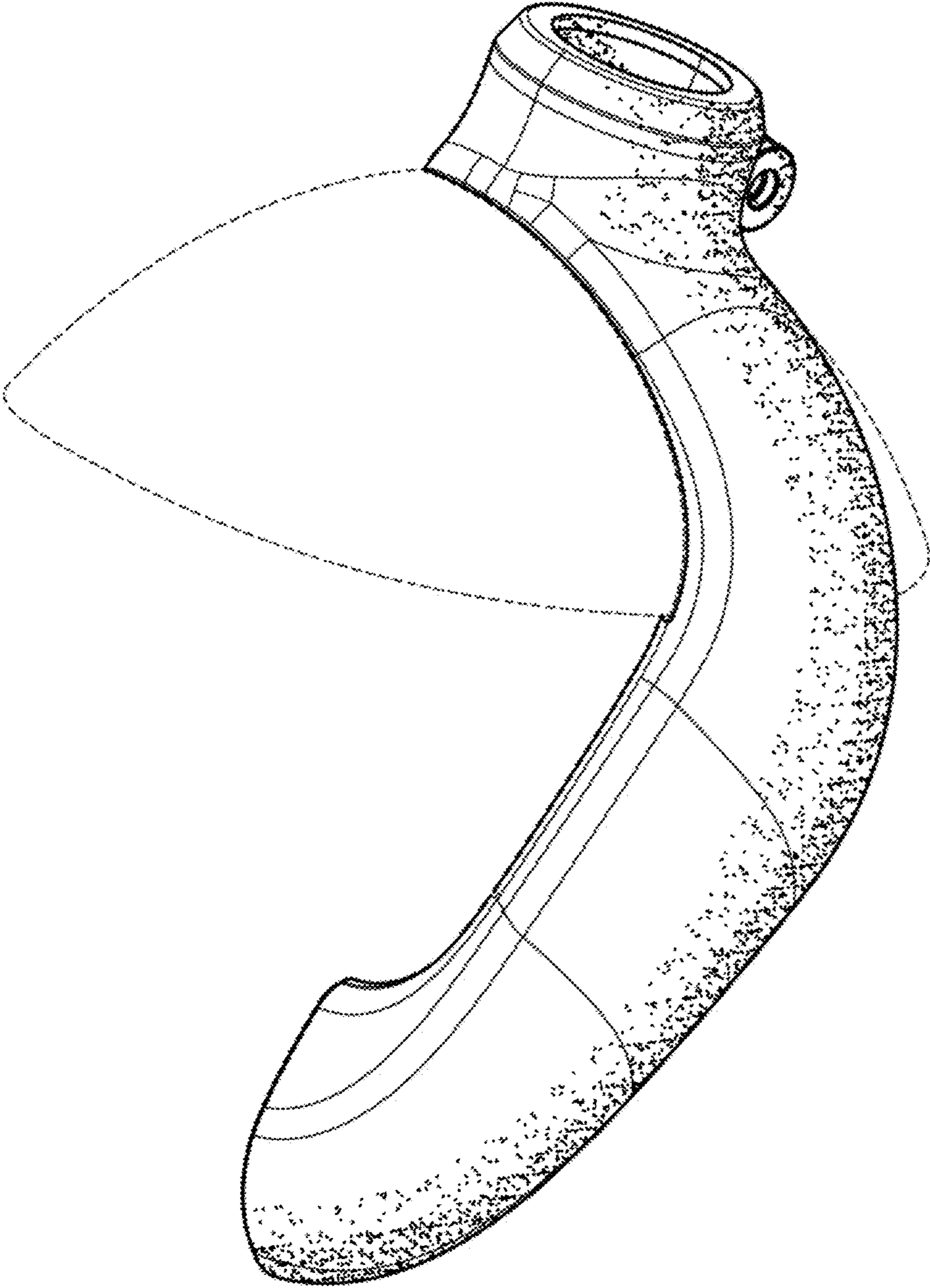


FIG. 1

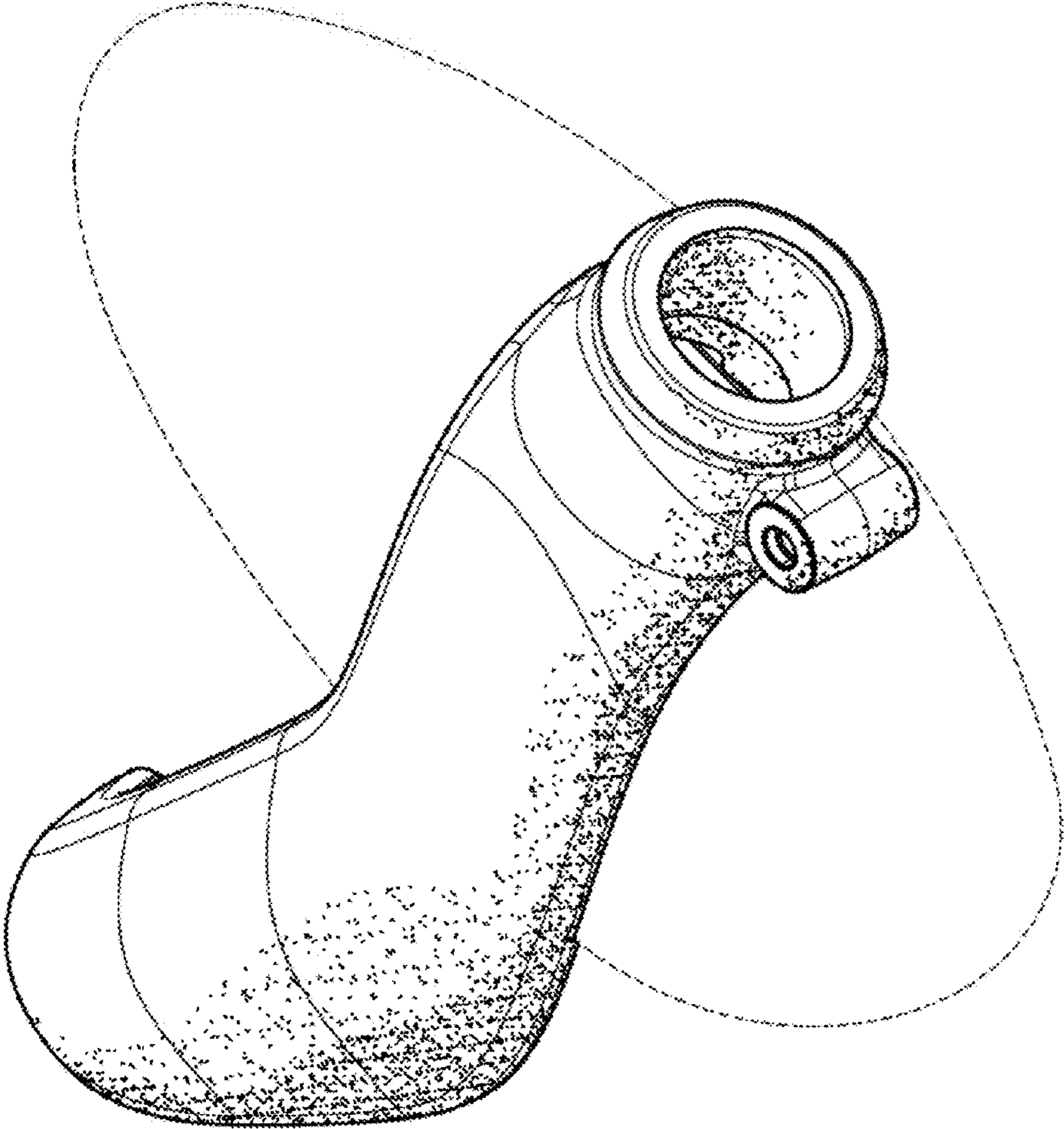


FIG.2



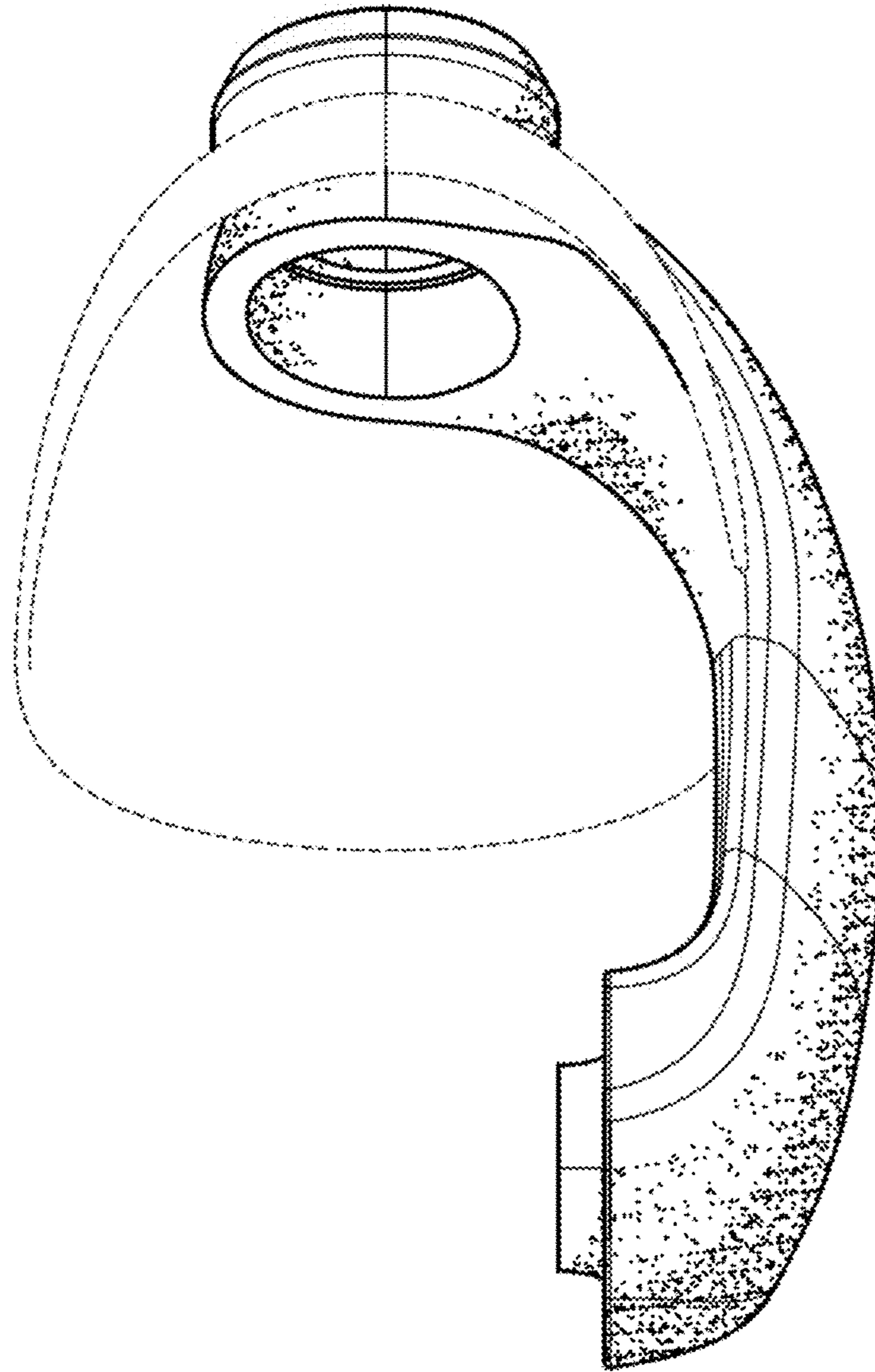


FIG.3

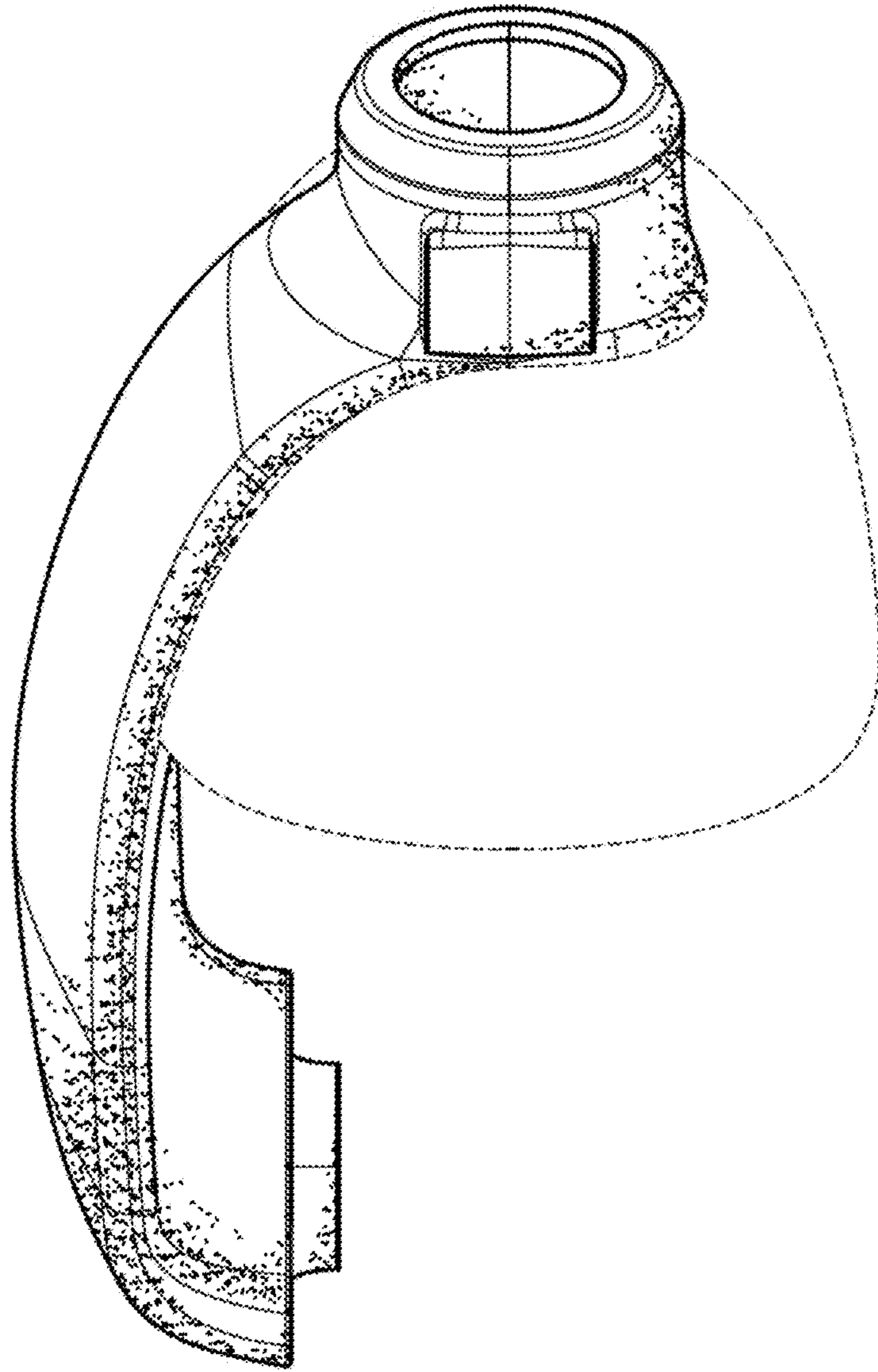


FIG.4

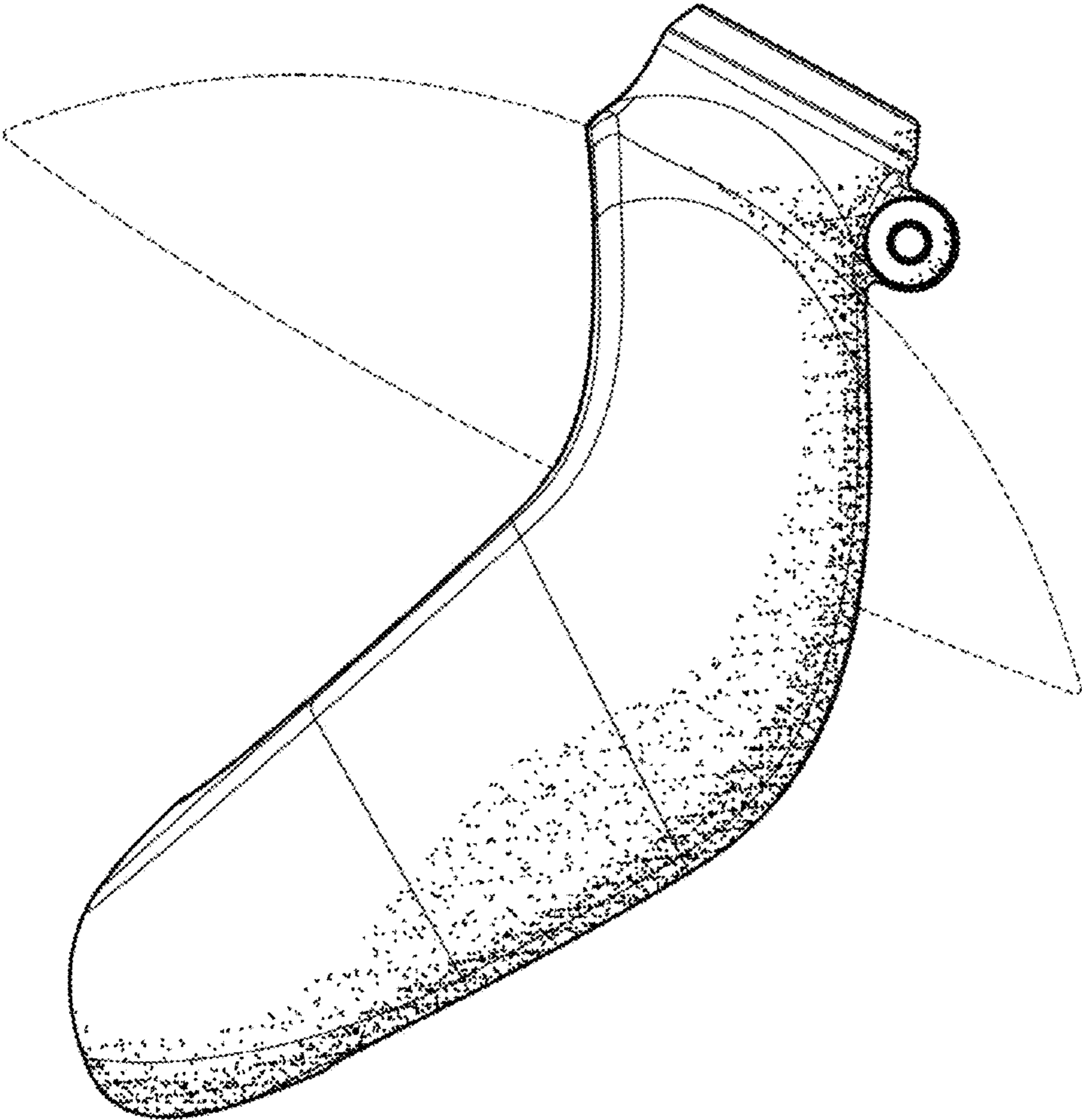


FIG.5

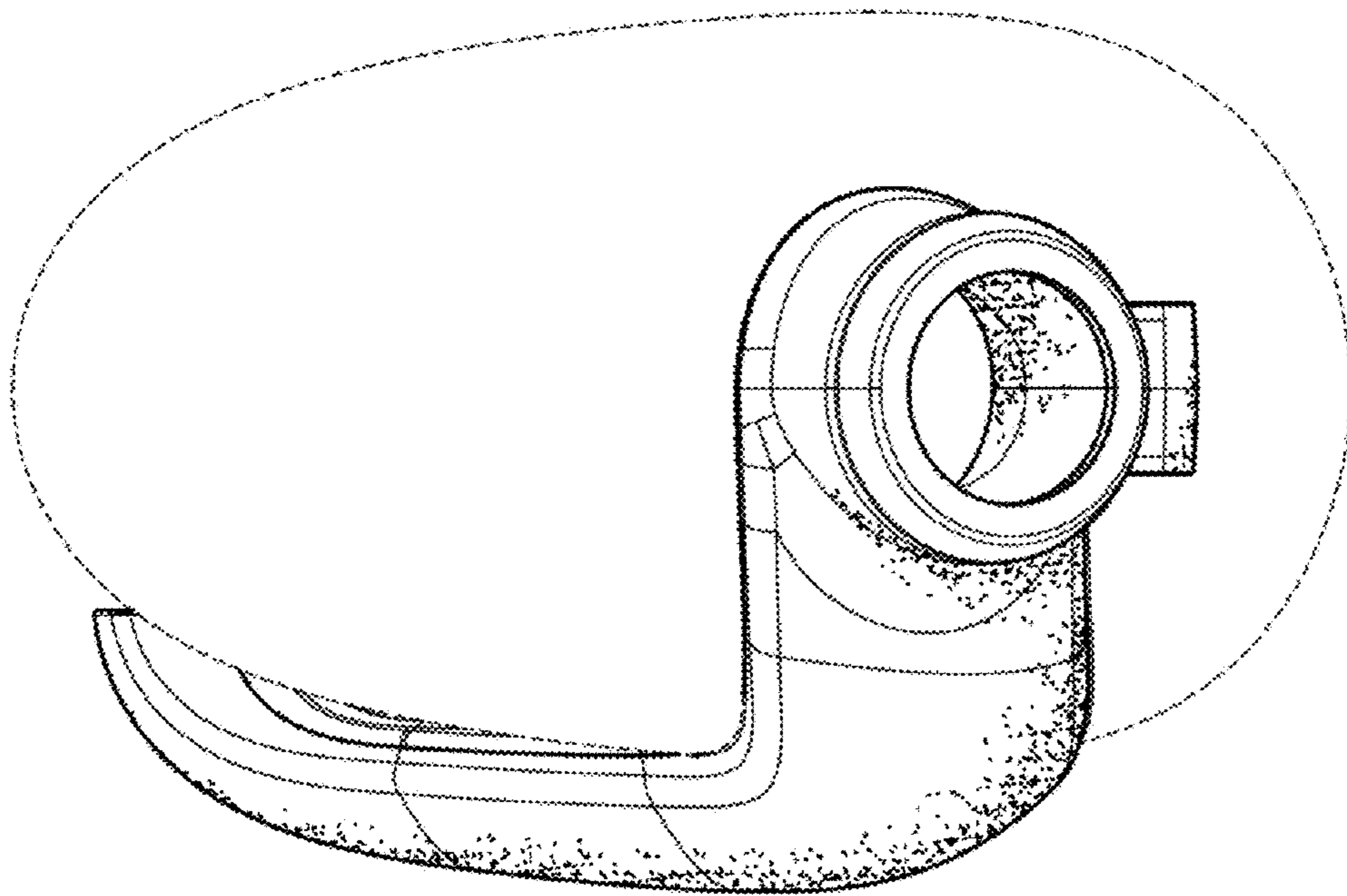


FIG.6



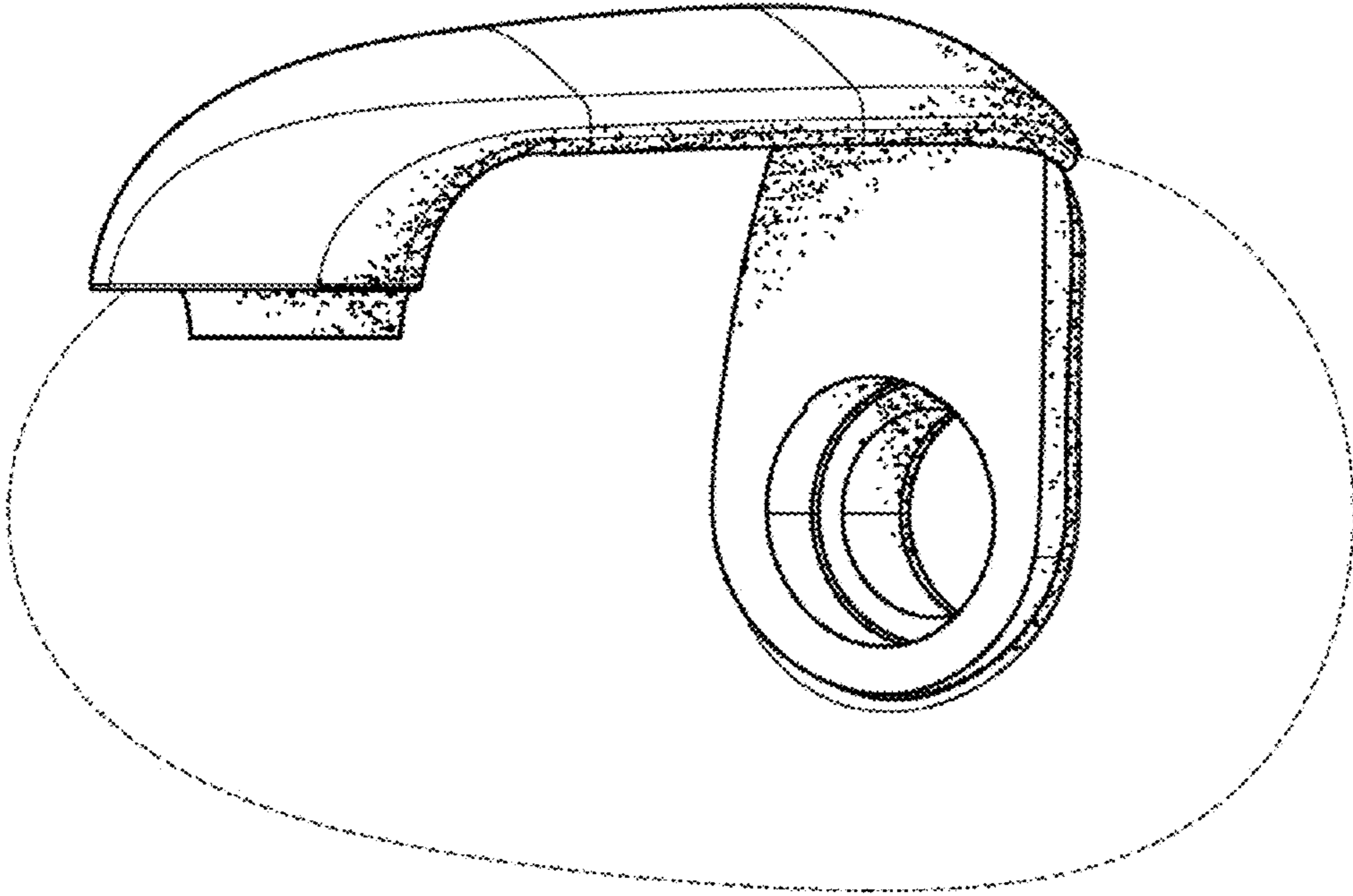


FIG.7

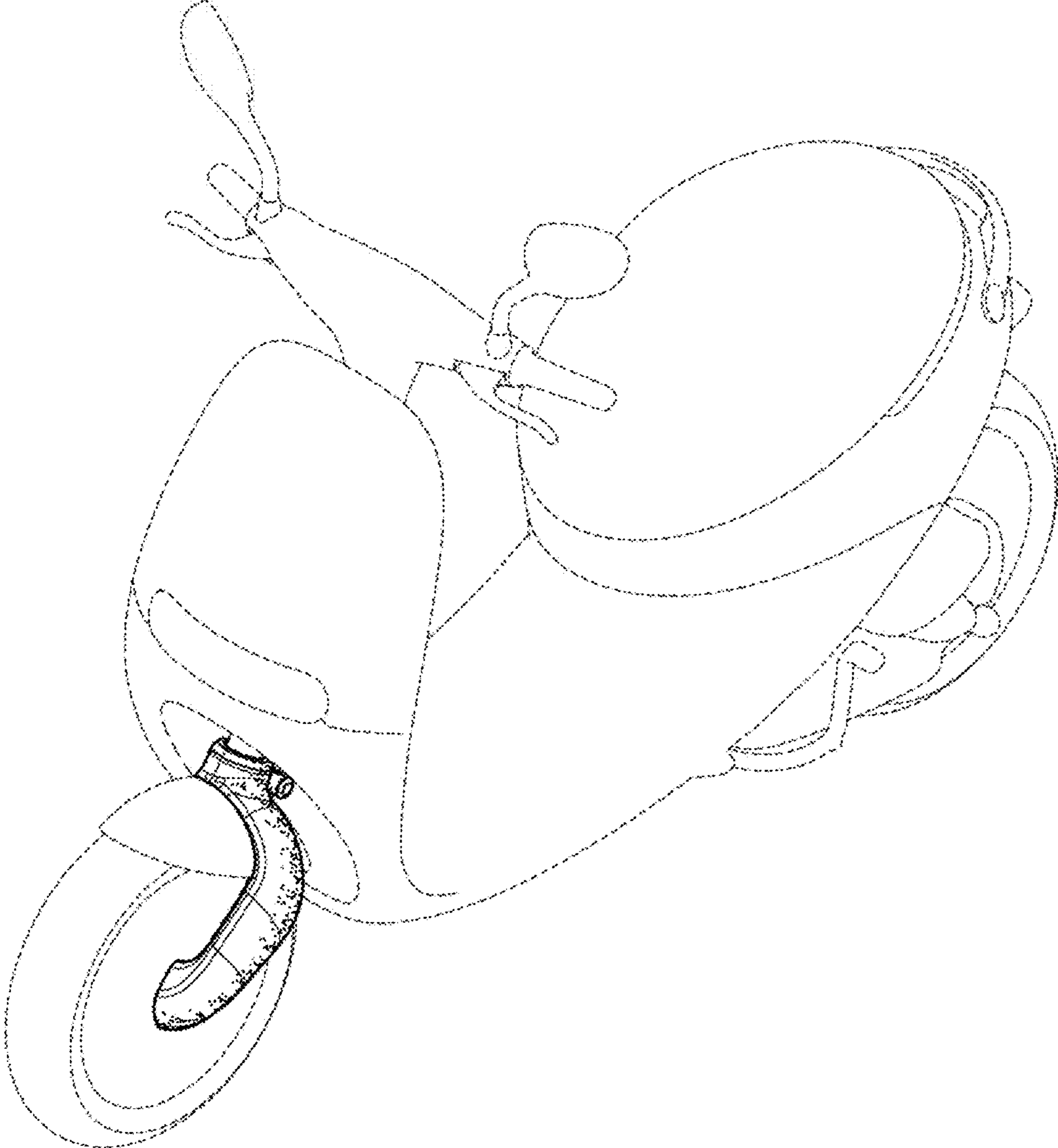


FIG.8