



US00D774981S

(12) **United States Design Patent** (10) **Patent No.:** **US D774,981 S**
Chen (45) **Date of Patent:** **** Dec. 27, 2016**

(54) **DRIFTING KART**

(71) Applicant: **RAZOR USA LLC**, Cerritos, CA (US)

(72) Inventor: **Robert (Wei-Pin) Chen**, San Marino, CA (US)

(73) Assignee: **Razor USA LLC**, Cerritos, CA (US)

(**) Term: **14 Years**

(21) Appl. No.: **29/521,091**

(22) Filed: **Mar. 19, 2015**

(51) **LOC (10) Cl.** **12-11**

(52) **U.S. Cl.**
USPC **D12/112; D21/426**

(58) **Field of Classification Search**
USPC D21/412, 414, 431-435; D12/1, 87, 107, D12/110-114, 129, 130, 133; 280/87.01, 280/87.021, 87.05, 87.051, 47.17, 47.25, 280/47.34, 47.38, 47.4, 827, 828, 29, 200, 280/263, 266, 267, 270, 282, 288.4, 291, 280/293; 297/5; 482/68
CPC A63G 25/00; B62D 21/183; B62D 39/00; B60K 7/0007
See application file for complete search history.

(56) **References Cited**

U.S. PATENT DOCUMENTS

3,533,484 A * 10/1970 Wood, Jr. B60K 1/00 15/250.17
D246,198 S * 10/1977 Rose D21/426
D249,496 S * 9/1978 Morgan D12/112
D252,714 S * 8/1979 Tidwell D21/426
4,403,673 A 9/1983 Ball
D276,058 S * 10/1984 Rogers D21/426
D280,916 S * 10/1985 Castle D21/426
D320,420 S * 10/1991 Dupont D12/88

(Continued)

FOREIGN PATENT DOCUMENTS

CN 2936826 8/2007
CN 200977859 11/2007

OTHER PUBLICATIONS

“Razor Builds the Ultimate Drifting Go-Kart: Why Must I . . . ”
Time., Jul. 11, 2013 [online], [retrieved on Aug. 6, 2016]. Retrieved
from the Internet <URL: <http://techland.time.com/2013/07/11/razor-builds-the-ultimate-drifting-go-kart-why-must-i-always-be-over-the-weight-limit-for-everything-good-in-this-world/>>.*

(Continued)

Primary Examiner — Darlington Ly

(74) *Attorney, Agent, or Firm* — Knobbe, Martens, Olson & Bear, LLP

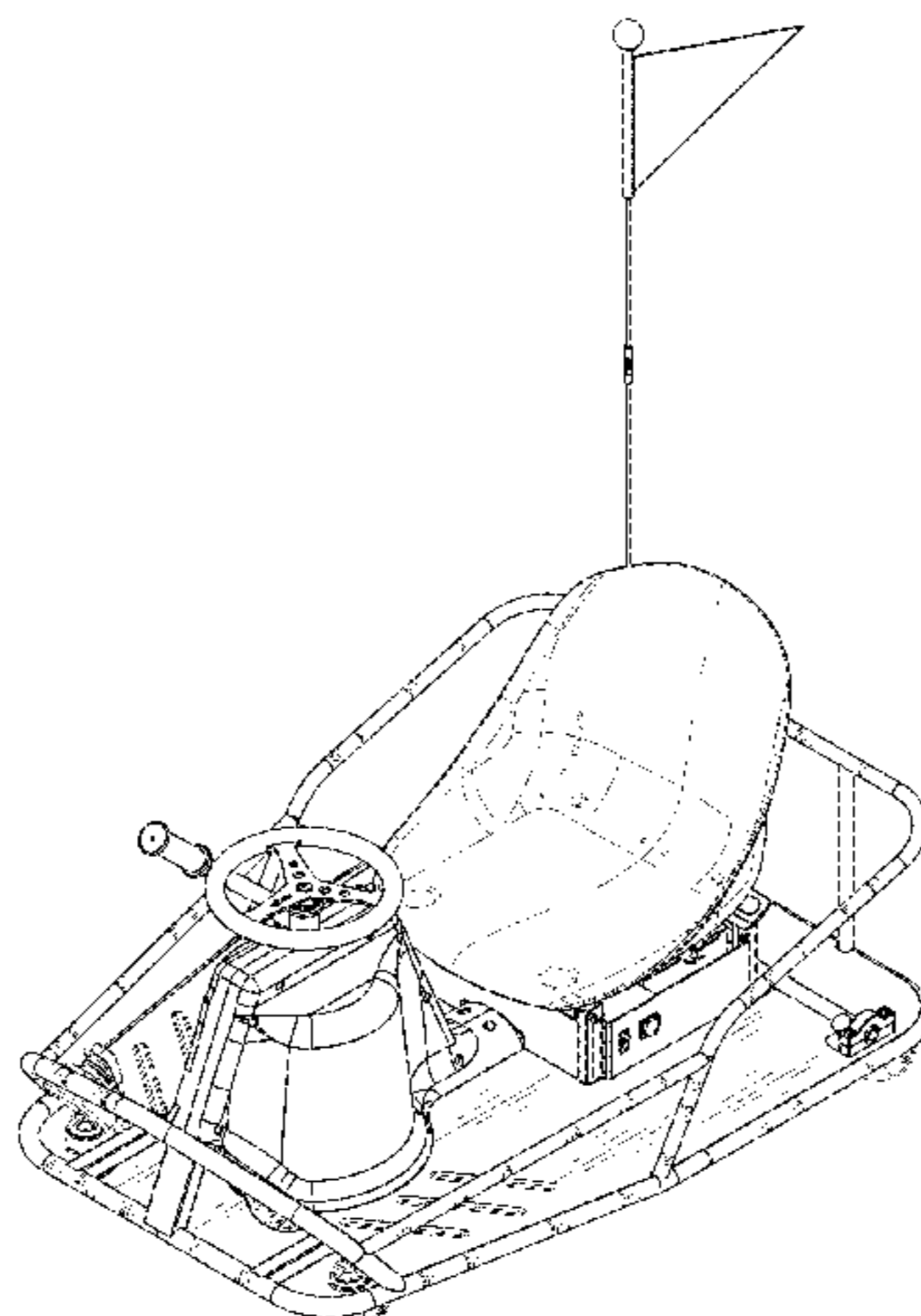
(57) **CLAIM**

The ornamental designs for a drifting kart, as shown and described.

DESCRIPTION

FIG. 1 is a top, rear, and right side perspective view of a drifting kart which embodies my design;
FIG. 2 is a top, front, and left side perspective view thereof;
FIG. 3 is a front view thereof;
FIG. 4 is a rear view thereof;
FIG. 5 is a right side view thereof;
FIG. 6 is a left side view thereof;
FIG. 7 is a top view thereof.
FIG. 8 is a top, rear, and right side perspective view of a second embodiment of a drifting kart which embodies my design;
FIG. 9 is a top, front, and left side perspective view thereof;
FIG. 10 is a front view thereof;
FIG. 11 is a rear view thereof;
FIG. 12 is a right side view thereof;
FIG. 13 is a left side view thereof; and,
FIG. 14 is a top view thereof.
Broken lines are used to illustrate features of the drifting kart which form no part of the claimed design.

1 Claim, 14 Drawing Sheets



(56)

References Cited

U.S. PATENT DOCUMENTS

D320,586	S *	10/1991	Tellinghuisen	D12/112
5,257,671	A	11/1993	Watkins		
5,628,379	A	5/1997	Watkins		
5,904,218	A	5/1999	Watkins		
D582,992	S *	12/2008	Alais	D21/426
7,712,558	B2	5/2010	Helson et al.		
7,823,675	B2	11/2010	Kermani		
8,356,686	B2	1/2013	Kermani		
8,365,850	B2	2/2013	Gal et al.		
D692,505	S *	10/2013	Jiang	D12/112
D692,506	S *	10/2013	Jiang	D12/112
D761,700	S	7/2016	Kermani		
2004/0040769	A1	3/2004	Richey et al.		
2004/0199311	A1 *	10/2004	Aguilar	G09B 9/042 701/36
2007/0045022	A1	3/2007	Greig et al.		
2008/0196951	A1	8/2008	Gal et al.		
2010/0032223	A1 *	2/2010	Kermani	A63G 25/00 180/216
2012/0133111	A1	5/2012	Schmutzer et al.		

OTHER PUBLICATIONS

“Storm Series—Competition.” OTL Electro Kart., Jun. 14, 2014 [online], [retrieved on Aug. 6, 2016]. Retrieved from the Internet <URL: <https://www.kart1.com/pdf/competition.pdf>>.*

* cited by examiner

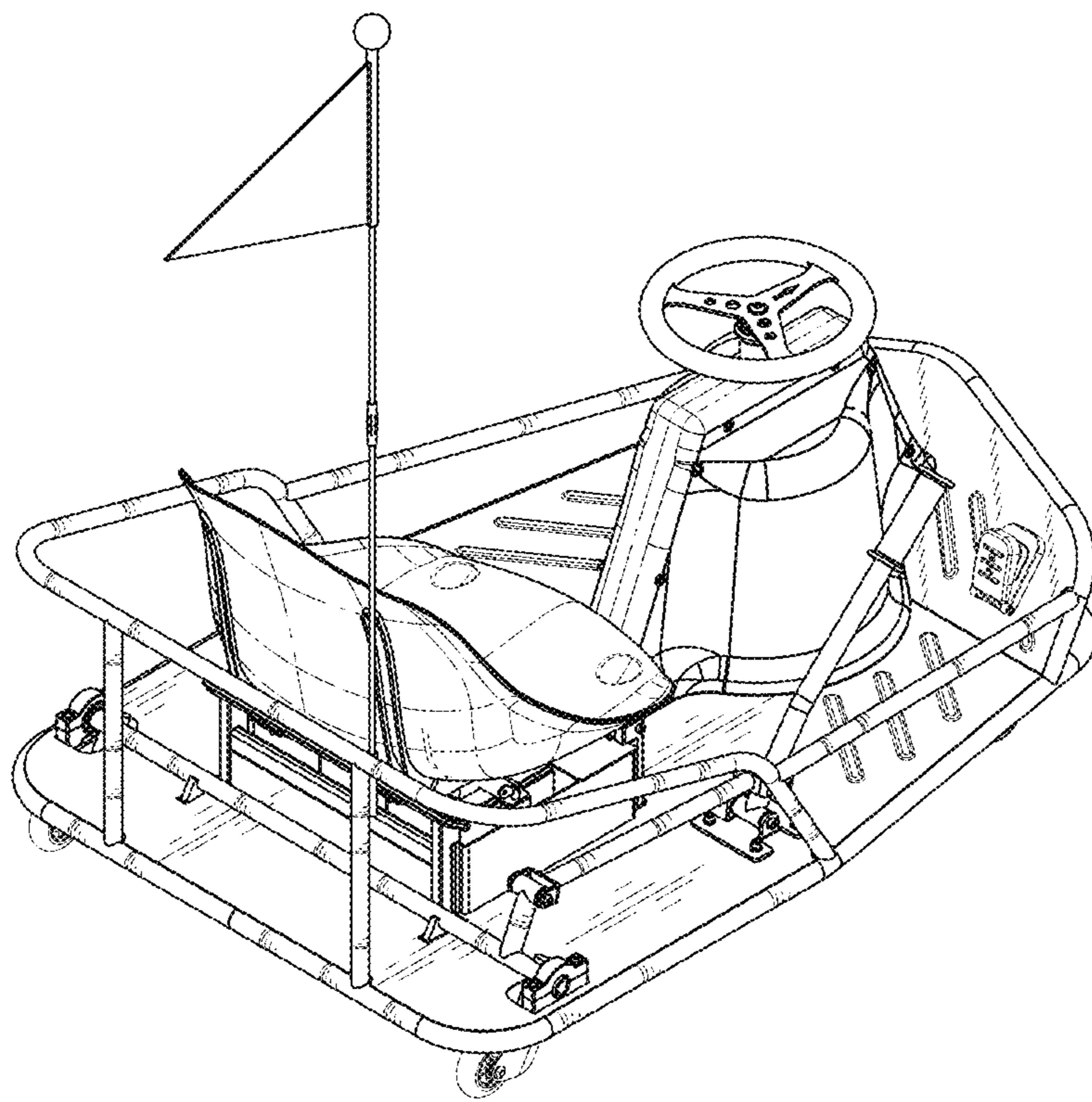


FIG. 1

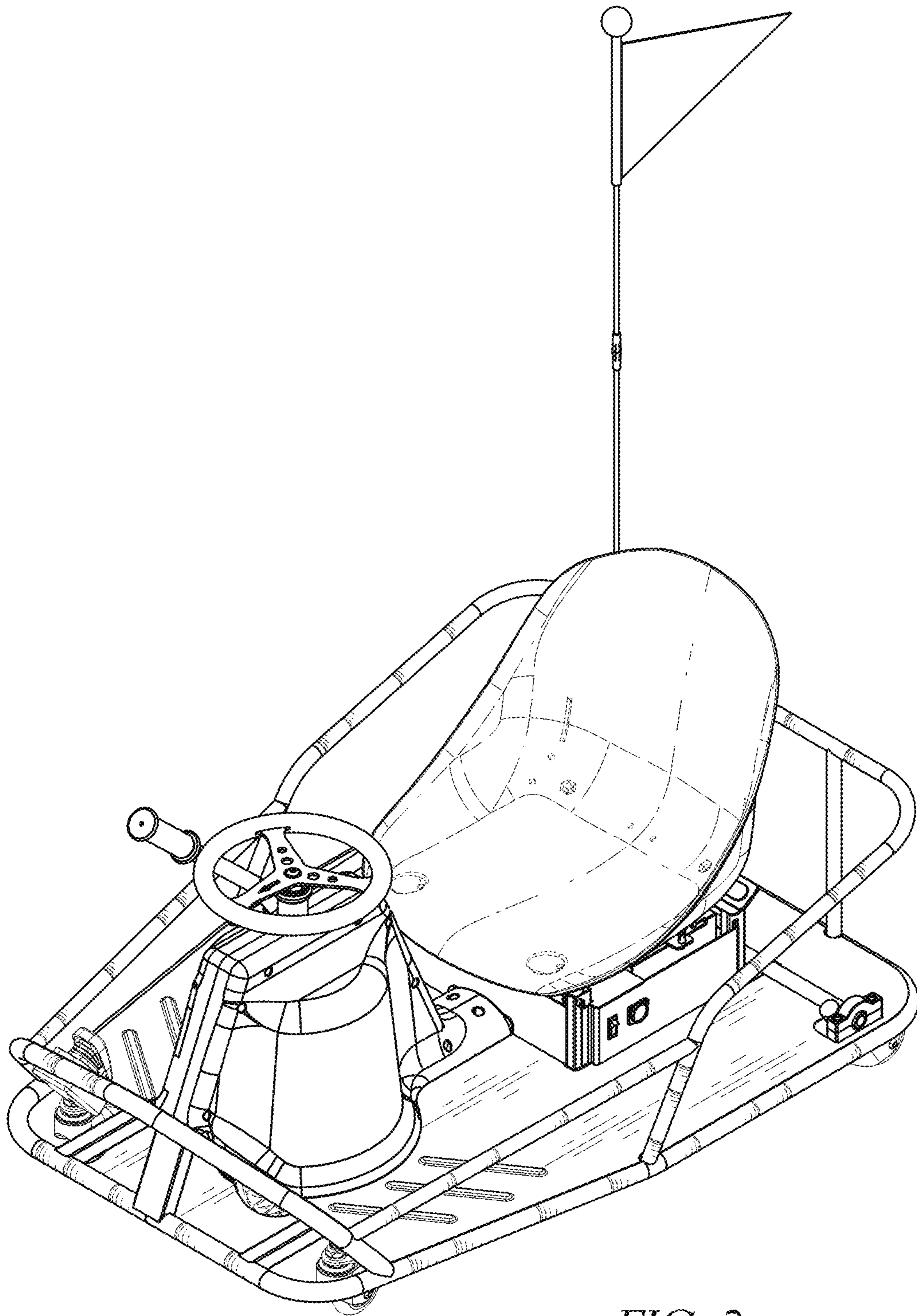


FIG. 2

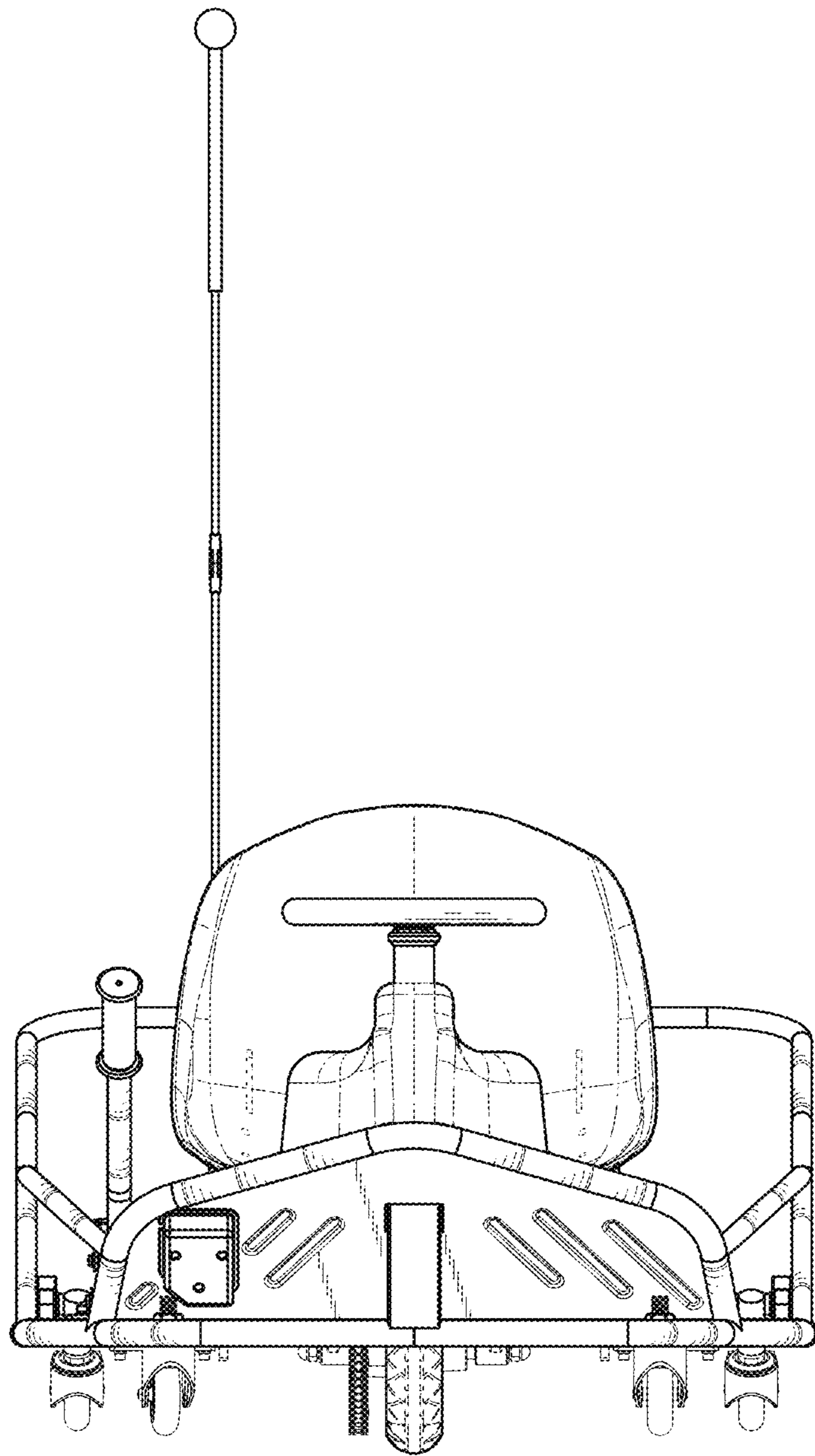


FIG. 3

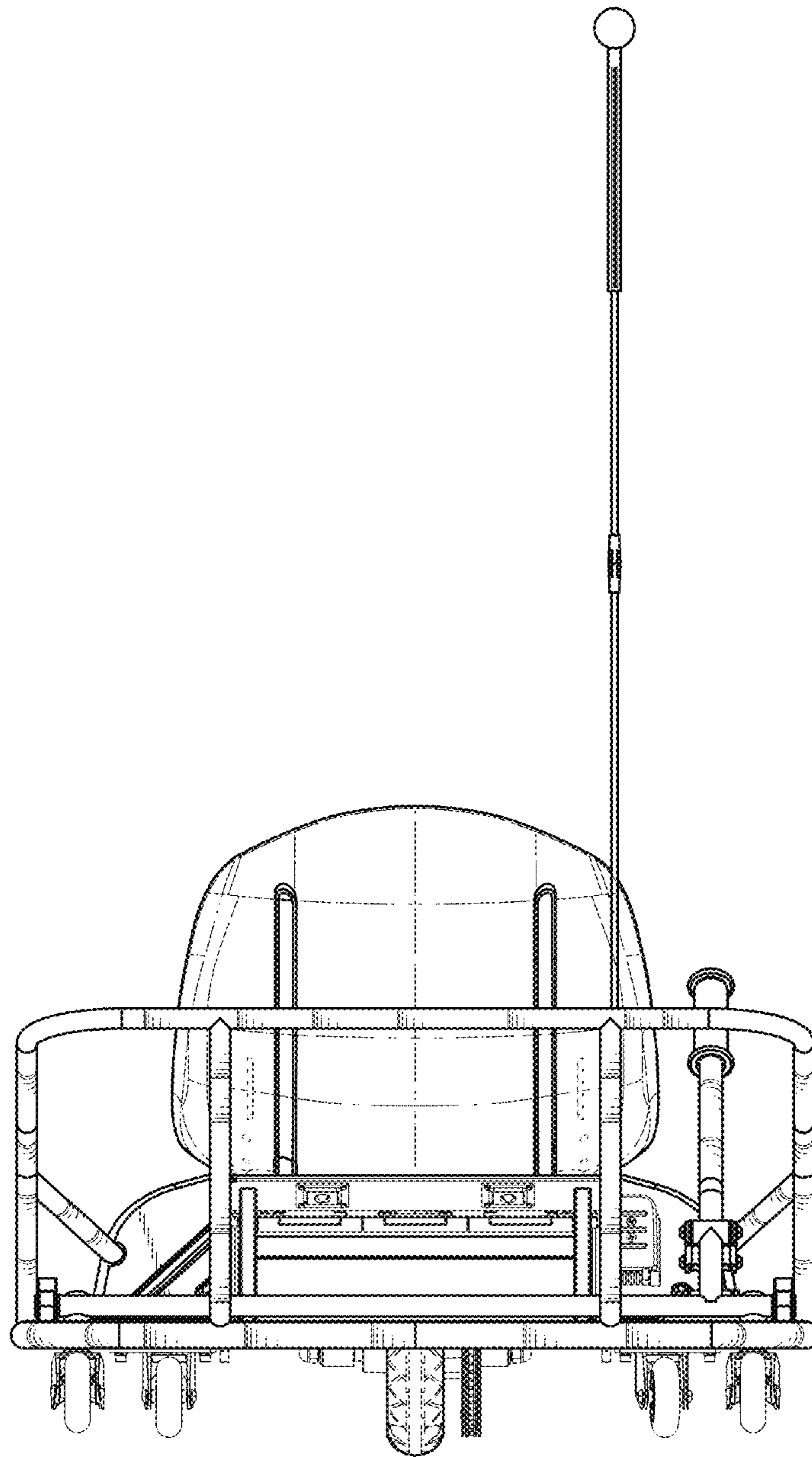


FIG. 4

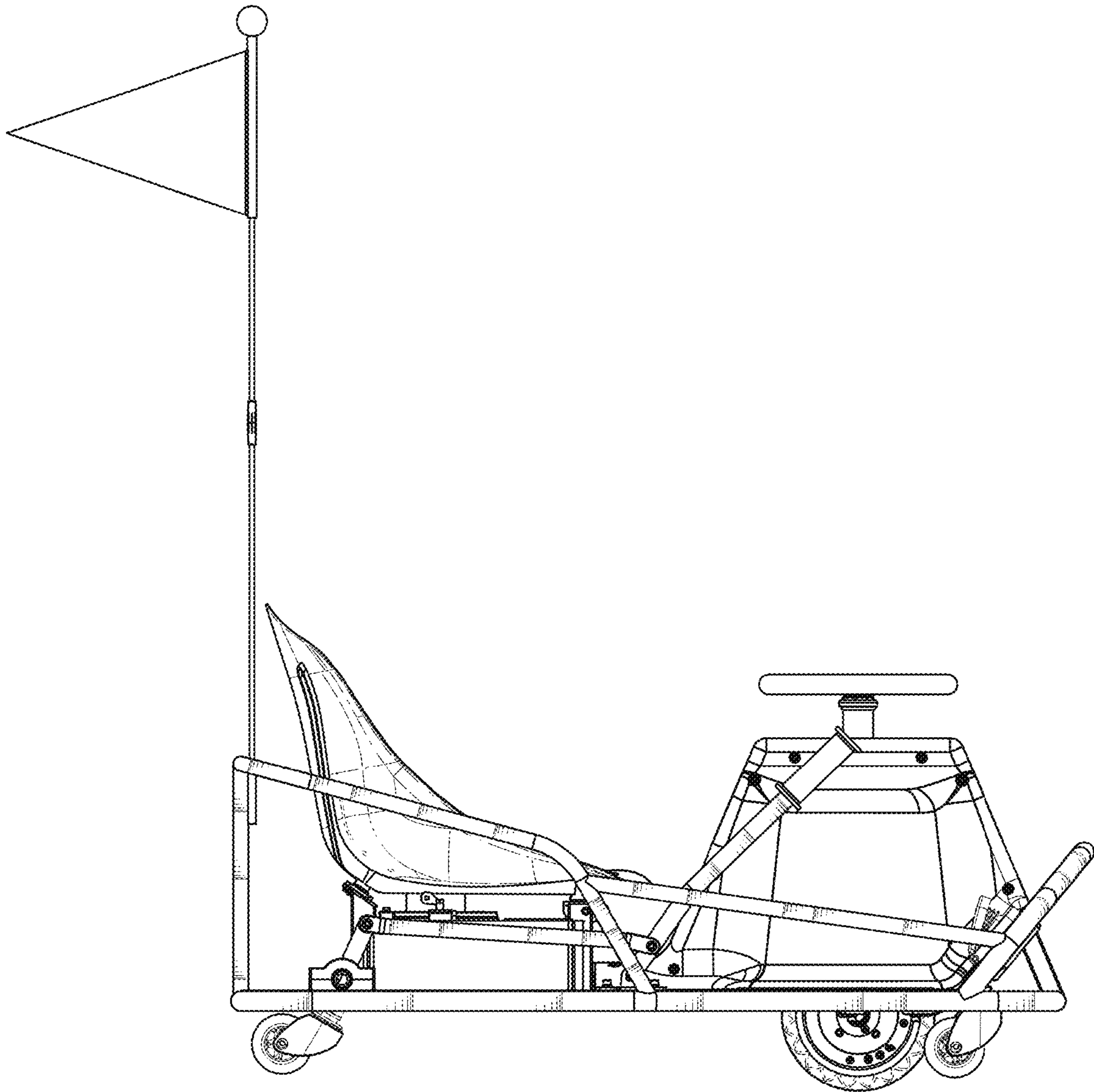


FIG. 5

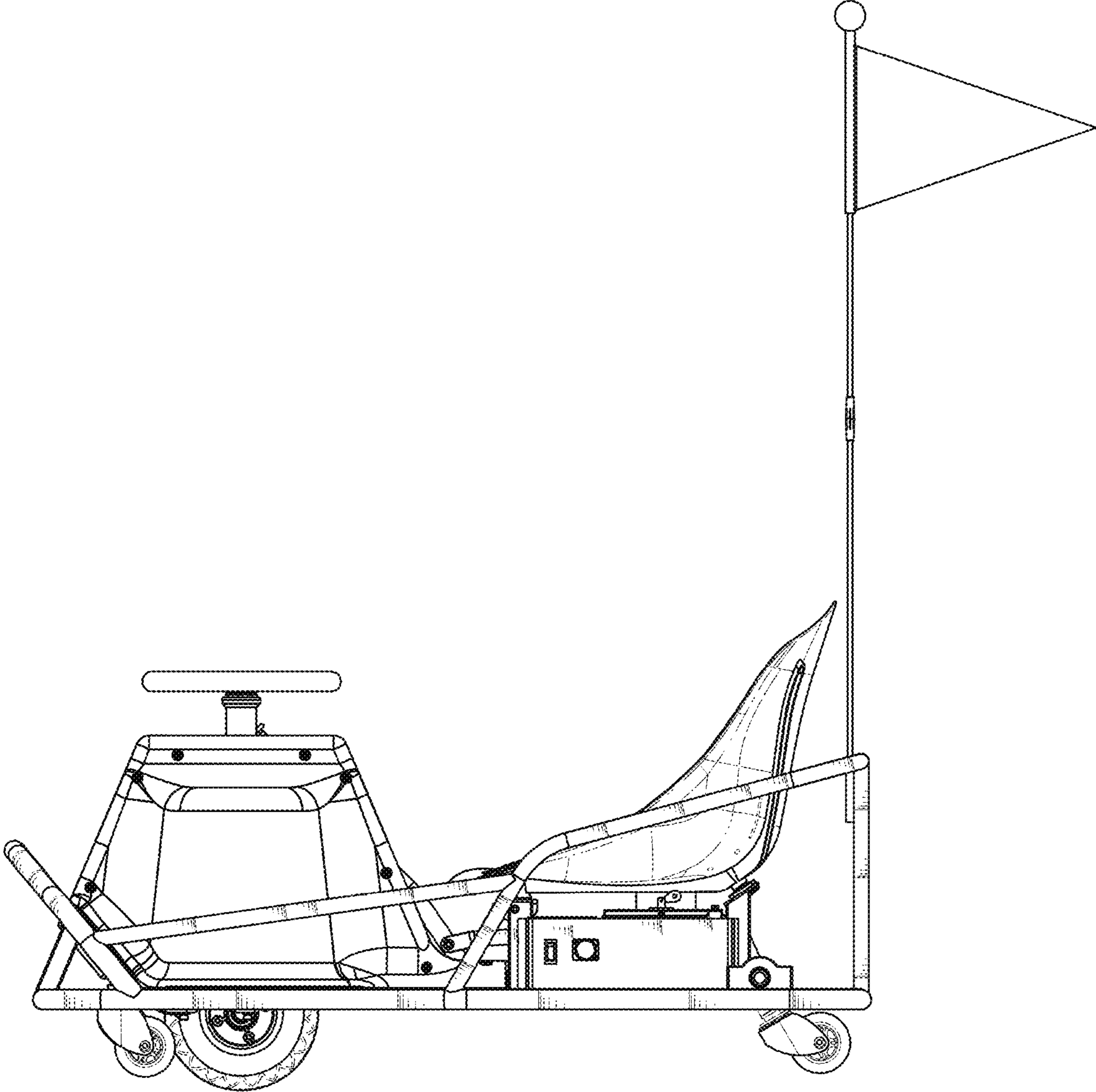


FIG. 6

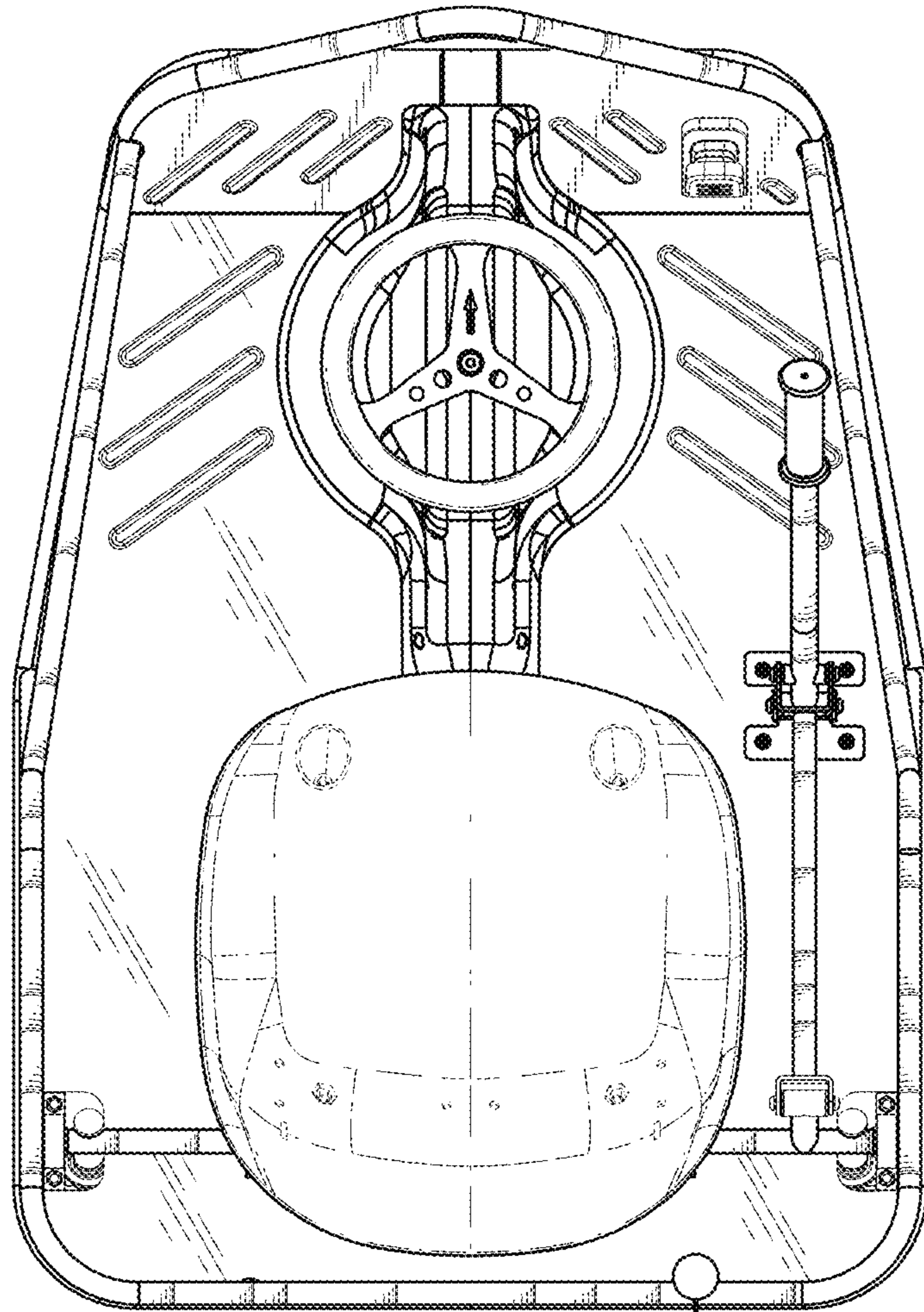


FIG. 7

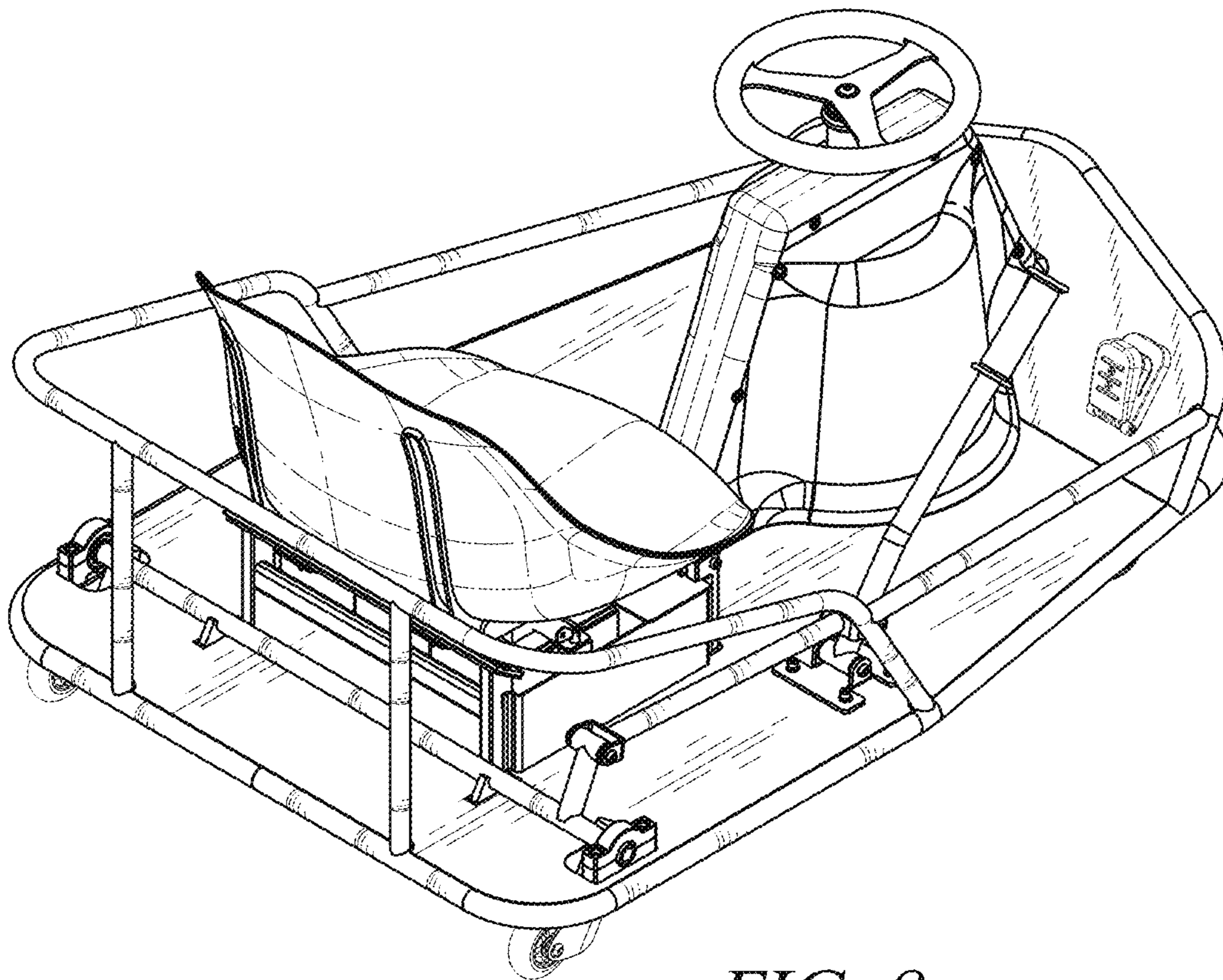


FIG. 8

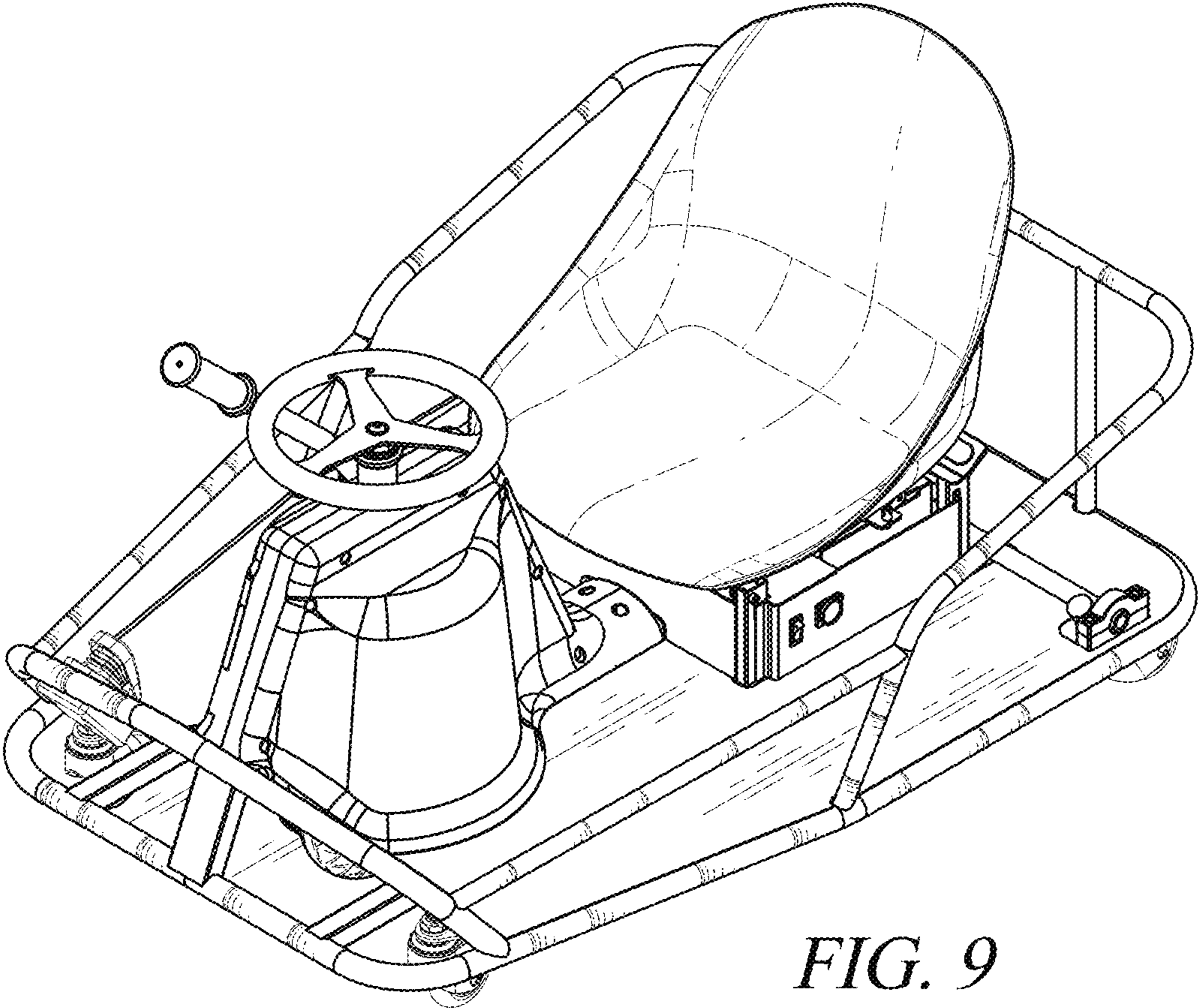


FIG. 9

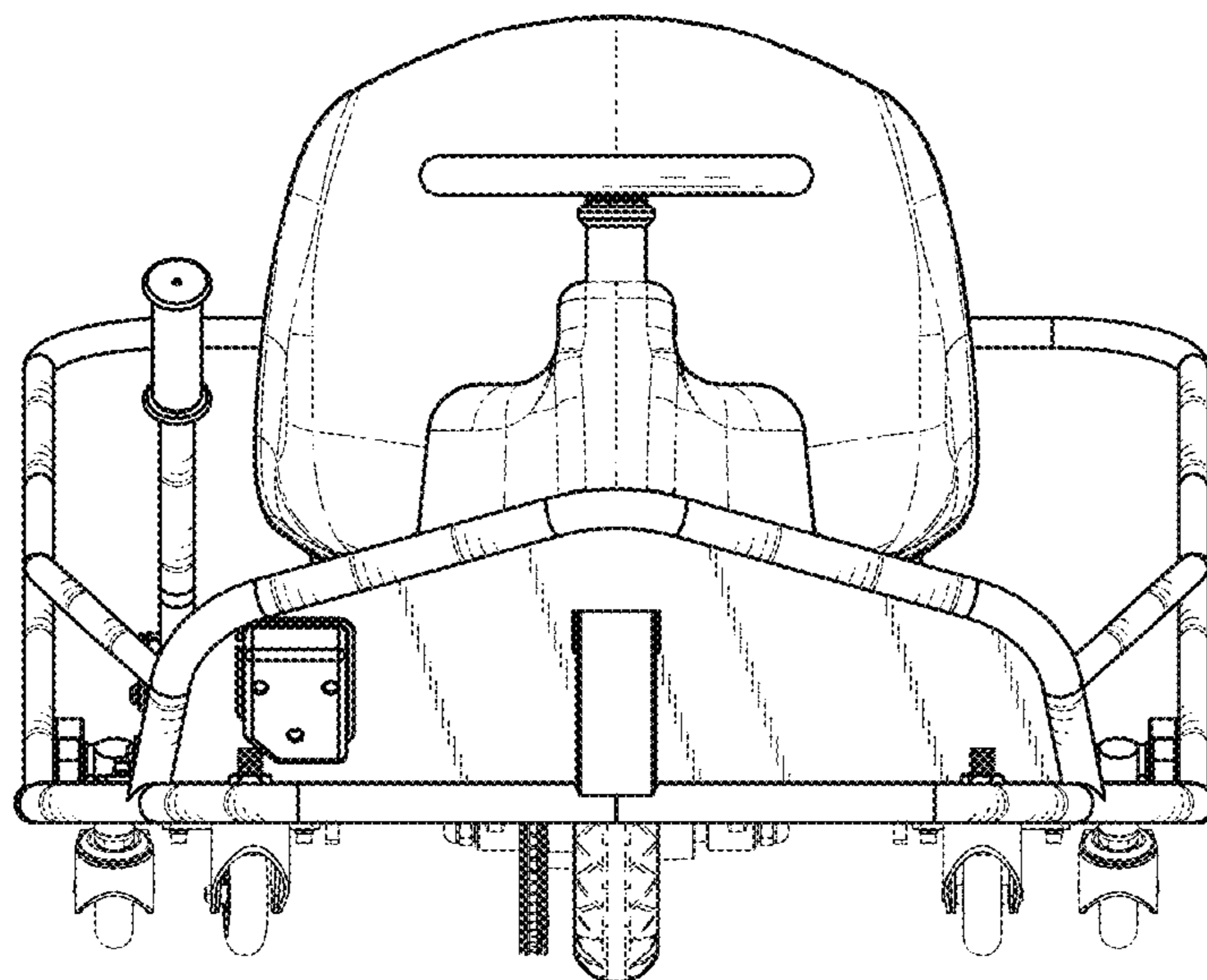


FIG. 10

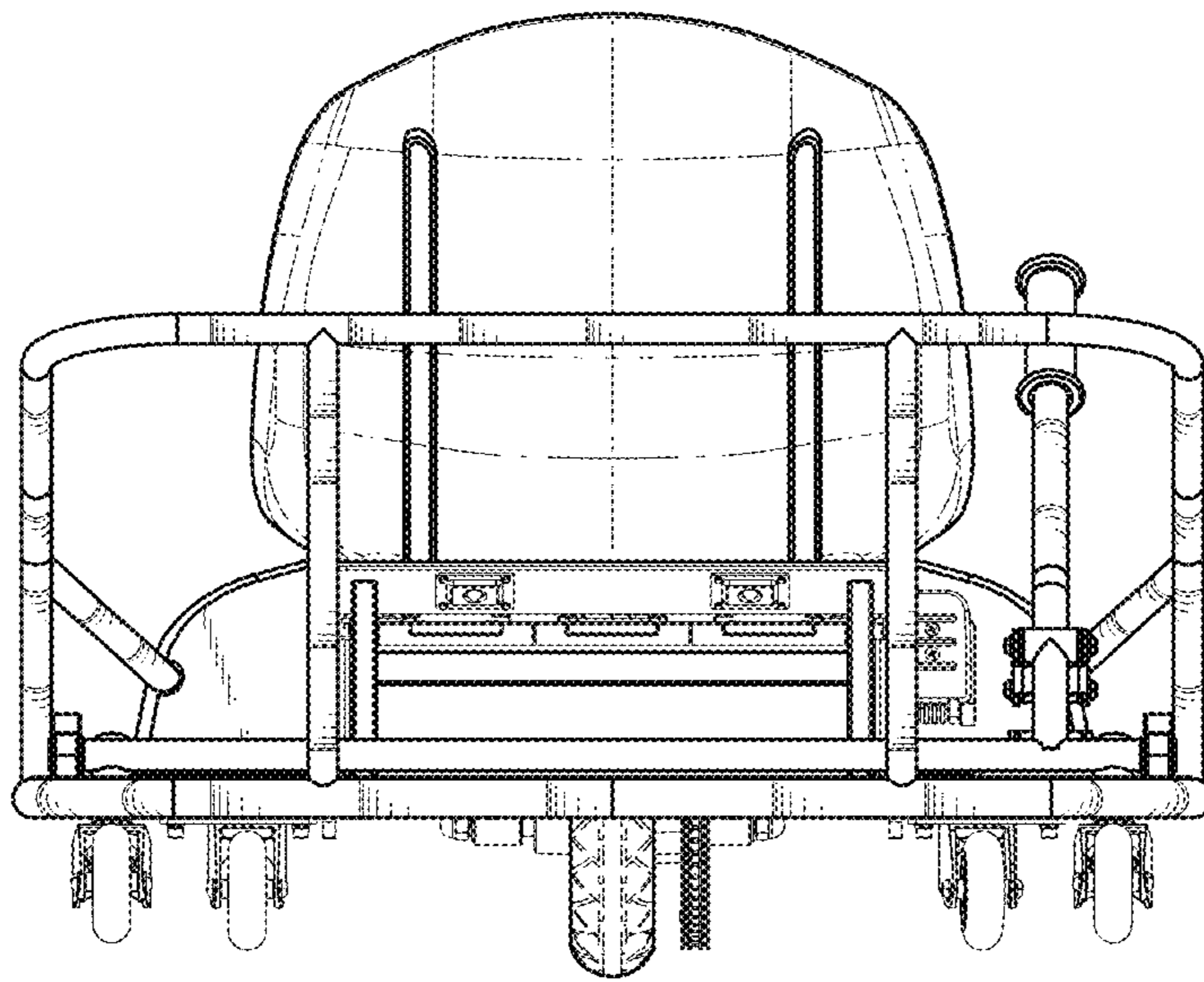


FIG. 11

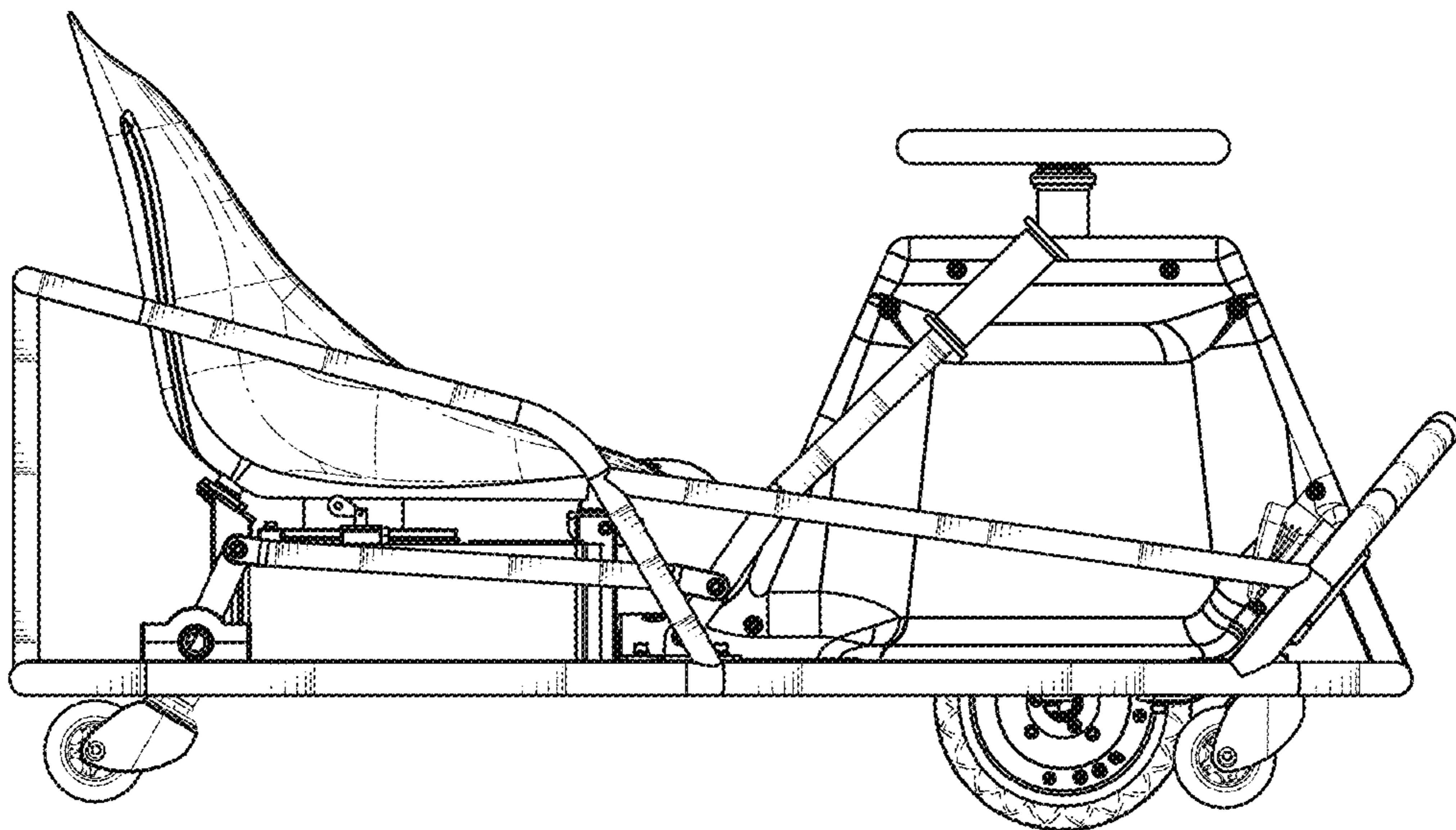


FIG. 12

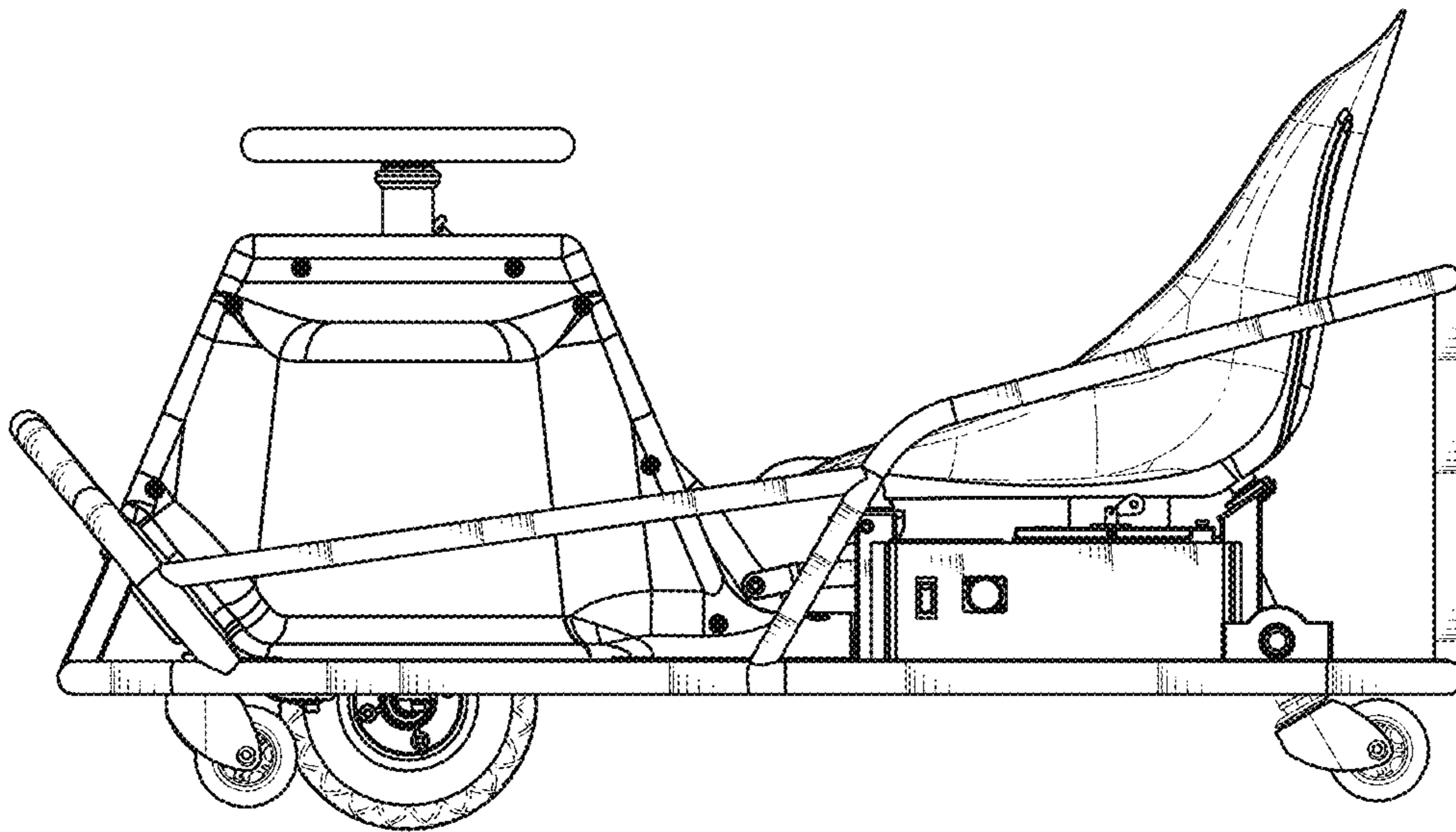


FIG. 13

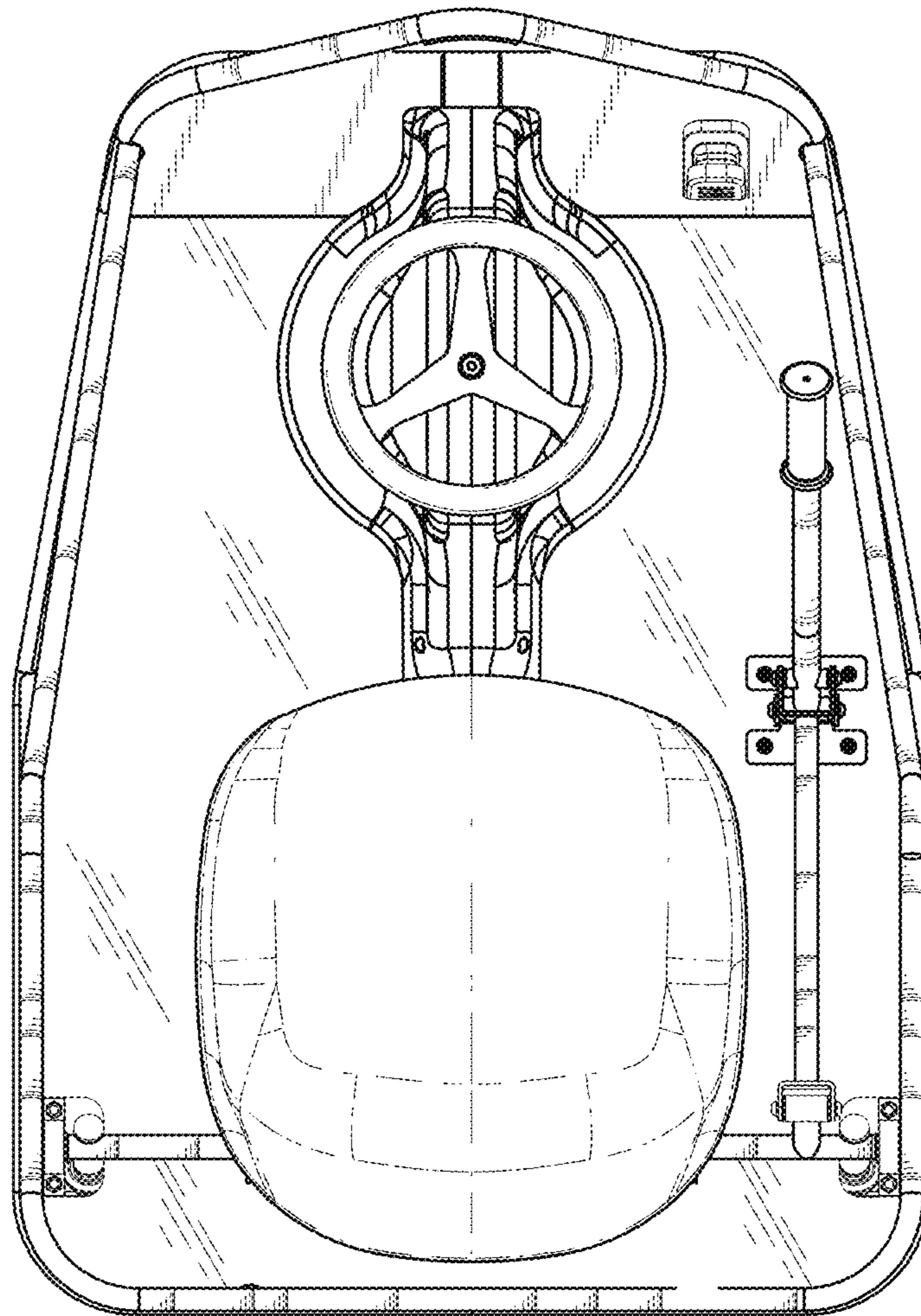


FIG. 14