



US00D774973S

(12) **United States Design Patent** (10) **Patent No.:** **US D774,973 S**
Greiner (45) **Date of Patent:** **** Dec. 27, 2016**

(54) **BICYCLE FRAME ELEMENT WITH A MOUNTED ACCUMULATOR**

(71) Applicant: **Robert Bosch GmbH**, Stuttgart (DE)

(72) Inventor: **Rinaldo Greiner**, Reutlingen (DE)

(73) Assignee: **Robert Bosch GmbH**, Stuttgart (DE)

(**) Term: **14 Years**

(21) Appl. No.: **29/526,095**

(22) Filed: **May 6, 2015**

(30) **Foreign Application Priority Data**

Nov. 7, 2014 (EM) 002573154

(51) **LOC (10) Cl.** **12-11**

(52) **U.S. Cl.**
USPC **D12/111; D12/114**

(58) **Field of Classification Search**
USPC D1/111, 117; D13/123–125, 133, 154;
280/274–280, 281.1, 283–288,
280/288.1–288.4; 361/271, 277,
361/301.1–301.4, 328–330, 763; 438/171,
438/190, 238, 239, 381, 386, 393, 396
(Continued)

(56) **References Cited**

U.S. PATENT DOCUMENTS

D556,092 S * 11/2007 Green D12/108

D587,198 S * 2/2009 Nagasawa D13/125

(Continued)

Primary Examiner — Darlington Ly

(74) *Attorney, Agent, or Firm* — Maginot, Moore & Beck LLP

(57) **CLAIM**

The ornamental design for a bicycle frame element with a mounted accumulator, as shown and described.

DESCRIPTION

Cross reference is made to copending U.S. design patent application Ser. No. 29/526,100 entitled “Accumulator” by

Greiner, which was filed on May 6, 2015; U.S. design patent application Ser. No. 29/526,101 entitled “Bicycle Frame Element Configured to Receive an Accumulator” by Greiner, which was filed on May 6, 2015; U.S. design patent application Ser. No. 29/526,103 entitled “Bicycle Frame Element Configured to Receive an Accumulator” by Greiner, which was filed on May 6, 2015 ; U.S. design patent application Ser. No. 29/526,106 entitled “Bicycle Frame Element Configured to Receive an Accumulator” by Greiner, which was filed on May 6, 2015 ; U.S. design patent application Ser. No. 29/526,112 entitled “Bicycle Frame Element Configured to Receive an Accumulator” by Greiner, which was filed on May 6, 2015 ; U.S. design patent application Ser. No. 29/526,115 entitled “Bicycle Frame Element Configured to Receive an Accumulator” by Greiner, which was filed on May 6, 2015 ; U.S. design patent application Ser. No. 29/526,119 entitled “Bicycle Frame Element Configured to Receive an Accumulator” by Greiner, which was filed on May 6, 2015 ; U.S. design patent application Ser. No. 29/526,126 entitled “Bicycle Frame Element Configured to Receive an Accumulator” by Greiner, which was filed on May 6, 2015 ; and U.S. design patent application Ser. No. 29/526,130 entitled “Bicycle Frame Element Configured to Receive an Accumulator” by Greiner, which was filed on May 6, 2015.

FIG. 1 is a perspective view of a bicycle frame element with a mounted accumulator showing my new design;

FIG. 2 is a right side elevational view showing the design for the bicycle frame element with a mounted accumulator of FIG. 1;

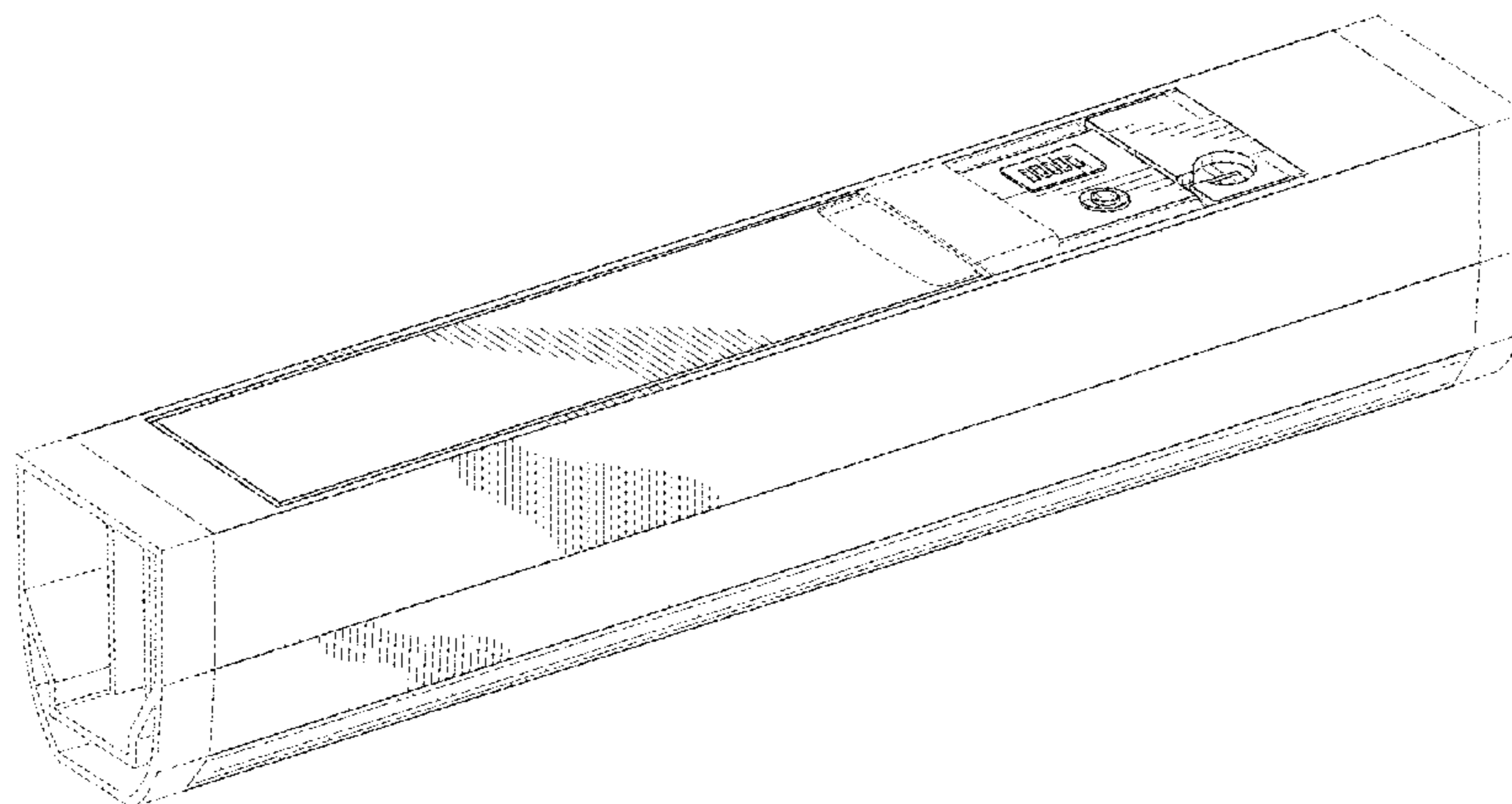
FIG. 3 is a left side elevational view showing the design for the bicycle frame element with a mounted accumulator of FIG. 1;

FIG. 4 is a front elevational view showing the design for the bicycle frame element with a mounted accumulator of FIG. 1;

FIG. 5 is a rear elevational view showing the design for the bicycle frame element with a mounted accumulator of FIG. 1;

FIG. 6 is a top plan view showing the design for the bicycle frame element with a mounted accumulator of FIG. 1; and, FIG. 7 is a bottom plan view showing the design for the bicycle frame element with a mounted accumulator of FIG. 1.

(Continued)



The broken lines shown in the drawings illustrate portions of the bicycle frame element with a mounted accumulator that form no part of the claimed design. The dash dot lines shown in FIGS. 1-3, 6, and 7 identify boundaries of the claimed design and form no part of the claimed design.

1 Claim, 7 Drawing Sheets

(58) Field of Classification Search

CPC B62K 3/00; B62K 3/005; B62K 9/00;
 B62K 19/00; B62K 19/02; B62K 19/04;
 B62K 19/06; B62K 19/16; H01G 9/038;
 H01G 9/155; H01G 11/26; H01G 11/58;
 H01G 11/62; H01M 2/0245; Y02E 60/12;
 Y02E 60/13

See application file for complete search history.

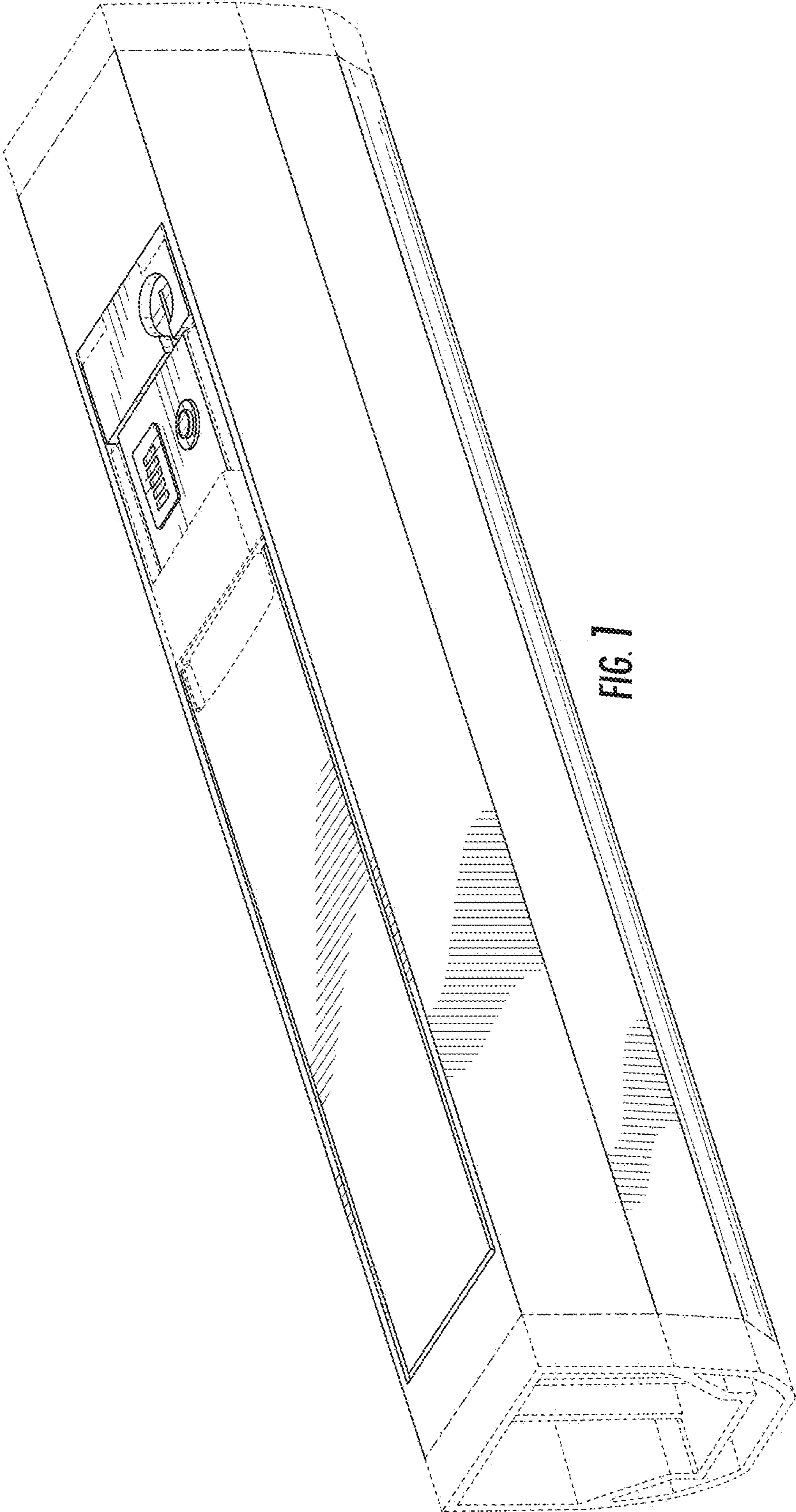
(56)

References Cited

U.S. PATENT DOCUMENTS

D590,750	S	*	4/2009	Hays	D12/111
D619,935	S	*	7/2010	Lee	D12/111
D637,526	S	*	5/2011	Choi	D12/111
D712,835	S	*	9/2014	Yasuda	D13/125
2004/0075420	A1	*	4/2004	Uno	H02J 7/1407 322/1
2011/0042156	A1	*	2/2011	Vincenz	B62H 5/001 180/206.5
2014/0035356	A1	*	2/2014	Watarai	B60L 7/12 307/9.1
2014/0210318	A1	*	7/2014	Yao	H02K 7/14 310/67 R
2014/0329134	A1	*	11/2014	Lang	B62M 6/90 429/156
2015/0191215	A1	*	7/2015	Kawakami	B62M 6/55 477/4

* cited by examiner



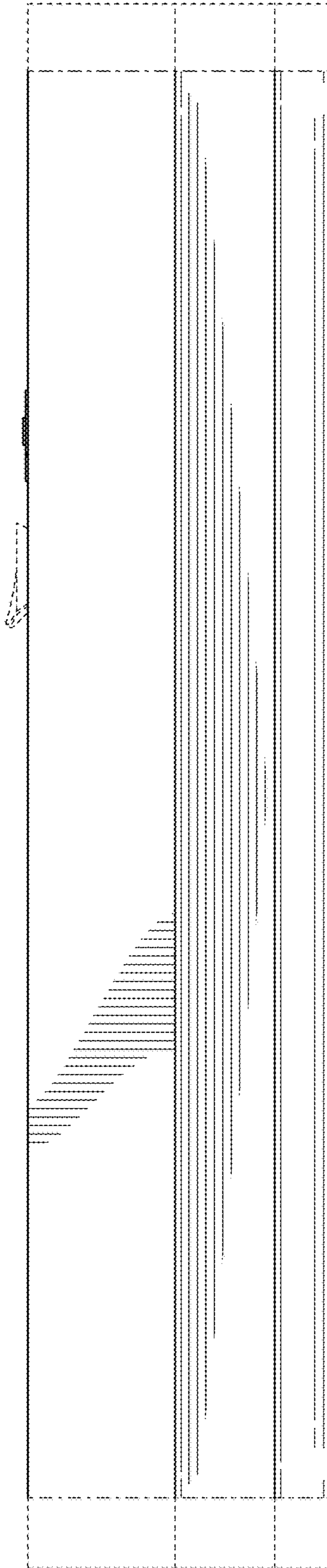


FIG. 2

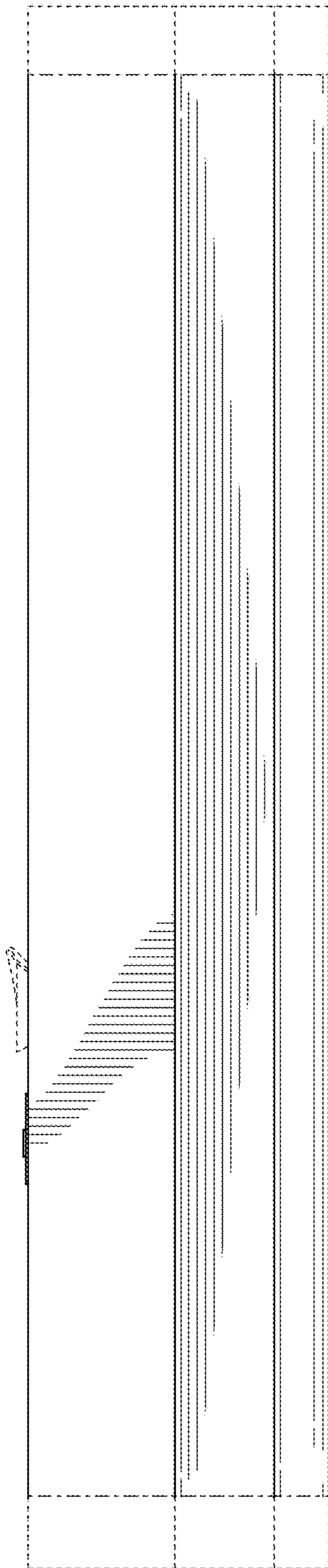


FIG. 3

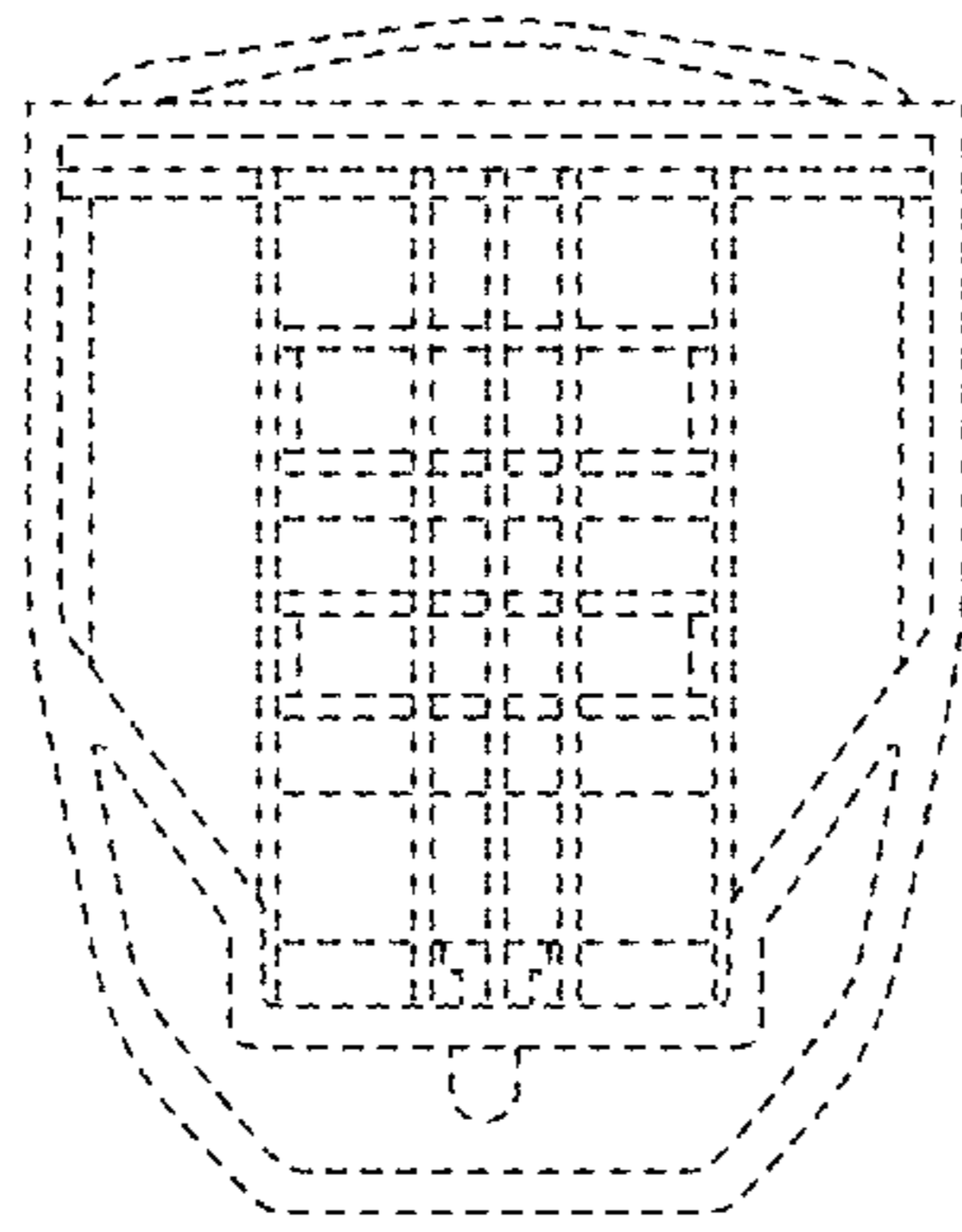


FIG. 4

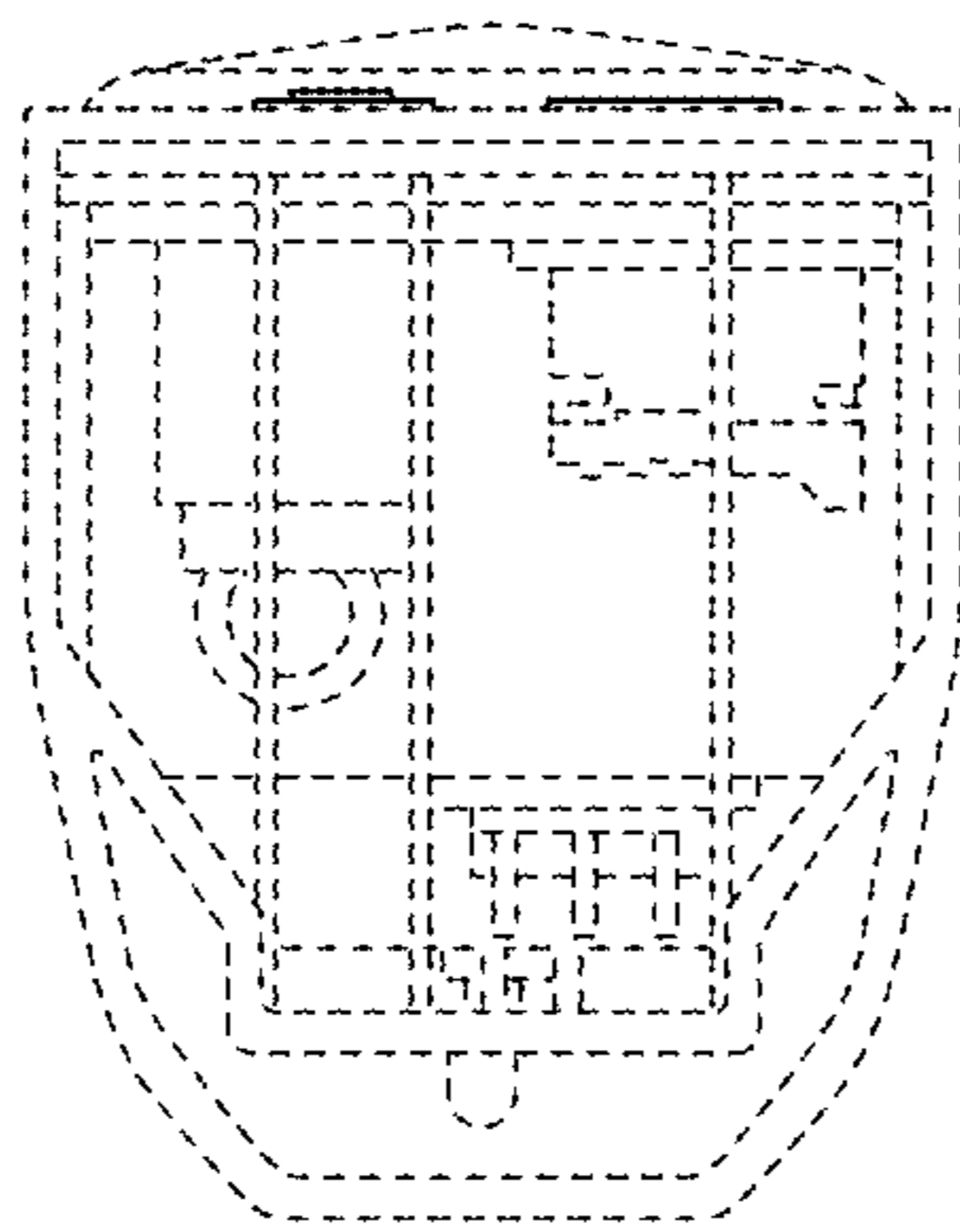


FIG. 5

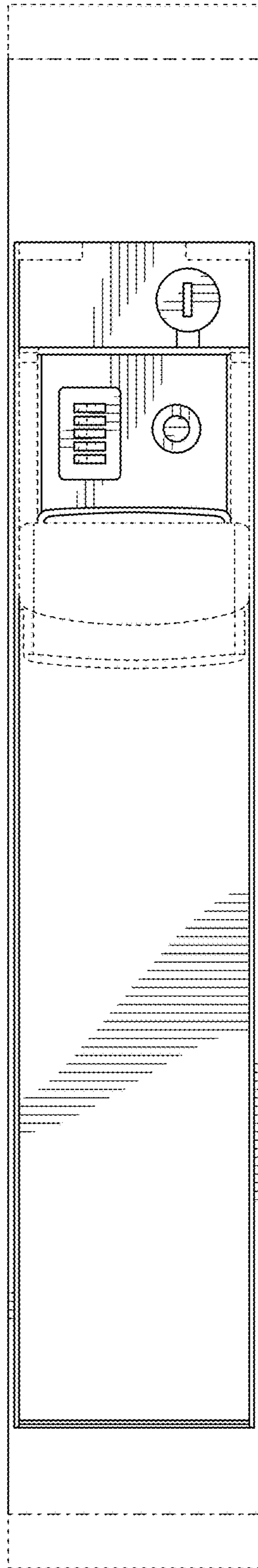


FIG. 6

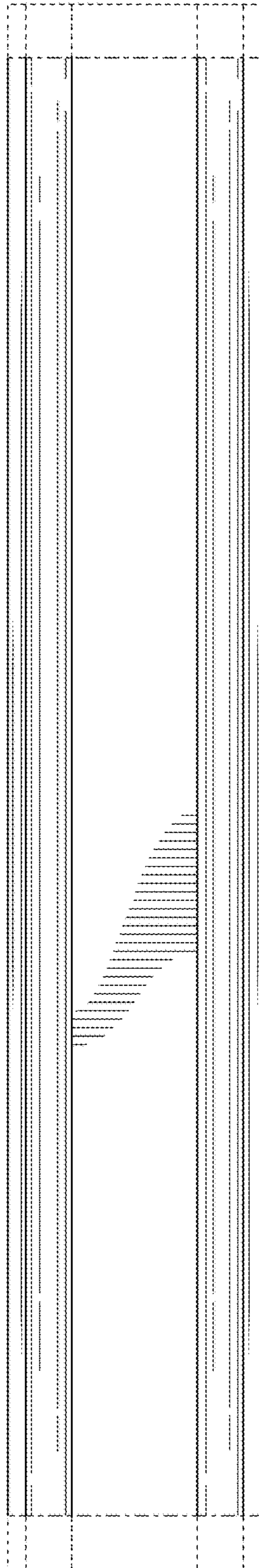


FIG. 7