



US00D774970S

(12) **United States Design Patent**
D’Aluisio et al.

(10) **Patent No.:** **US D774,970 S**
(45) **Date of Patent:** **** Dec. 27, 2016**

(54) **BICYCLE FRAME**

(71) Applicant: **Specialized Bicycle Components, Inc.**,
Morgan Hill, CA (US)

(72) Inventors: **Christopher P. D’Aluisio**, Corralitos,
CA (US); **Jean-Luc Callahan**, San
Jose, CA (US); **Christopher Yu**,
Mountain View, CA (US)

(73) Assignee: **SPECIALIZED BICYCLE
COMPONENTS, INC.**, Morgan Hill,
CA (US)

(**) Term: **14 Years**

(21) Appl. No.: **29/518,944**

(22) Filed: **Feb. 27, 2015**

(51) **LOC (10) Cl.** **12-11**

(52) **U.S. Cl.**
USPC **D12/111**

(58) **Field of Classification Search**
USPC D12/111, 117, 406, 407; 280/274–280,
280/281.1, 283–288, 288.1–288.4
CPC B62K 3/00; B62K 3/005; B62K 9/00;
B62K 19/00; B62K 19/02; B62K 19/04;
B62K 19/06; B62K 19/16
See application file for complete search history.

(56) **References Cited**

U.S. PATENT DOCUMENTS

D343,600 S * 1/1994 Moore D12/111
D405,030 S * 2/1999 Frost D12/111
6,497,427 B1 * 12/2002 D’Alusio B62K 3/04
280/288
D486,424 S 2/2004 Sagan

6,712,373 B2 3/2004 Chamberlain et al.
6,880,846 B2 * 4/2005 Schonfeld B62K 17/00
280/277
6,953,202 B2 10/2005 Chamberlain et al.
7,052,029 B2 5/2006 Chamberlain
D523,380 S * 6/2006 Auger D12/111
D533,811 S * 12/2006 Hoisington D12/111
7,216,882 B2 5/2007 Chamberlain
7,267,351 B2 9/2007 Chamberlain et al.
7,377,535 B2 5/2008 Chamberlain
7,506,528 B2 3/2009 Chamberlain
D593,457 S 6/2009 Talavasek et al.
7,891,688 B2 2/2011 Chamberlain
D635,894 S * 4/2011 Argote Vivar D12/111
D637,526 S 5/2011 Choi et al.
D637,527 S 5/2011 Choi et al.

(Continued)

Primary Examiner — Darlington Ly

(74) *Attorney, Agent, or Firm* — Michael Best &
Friedrich LLP

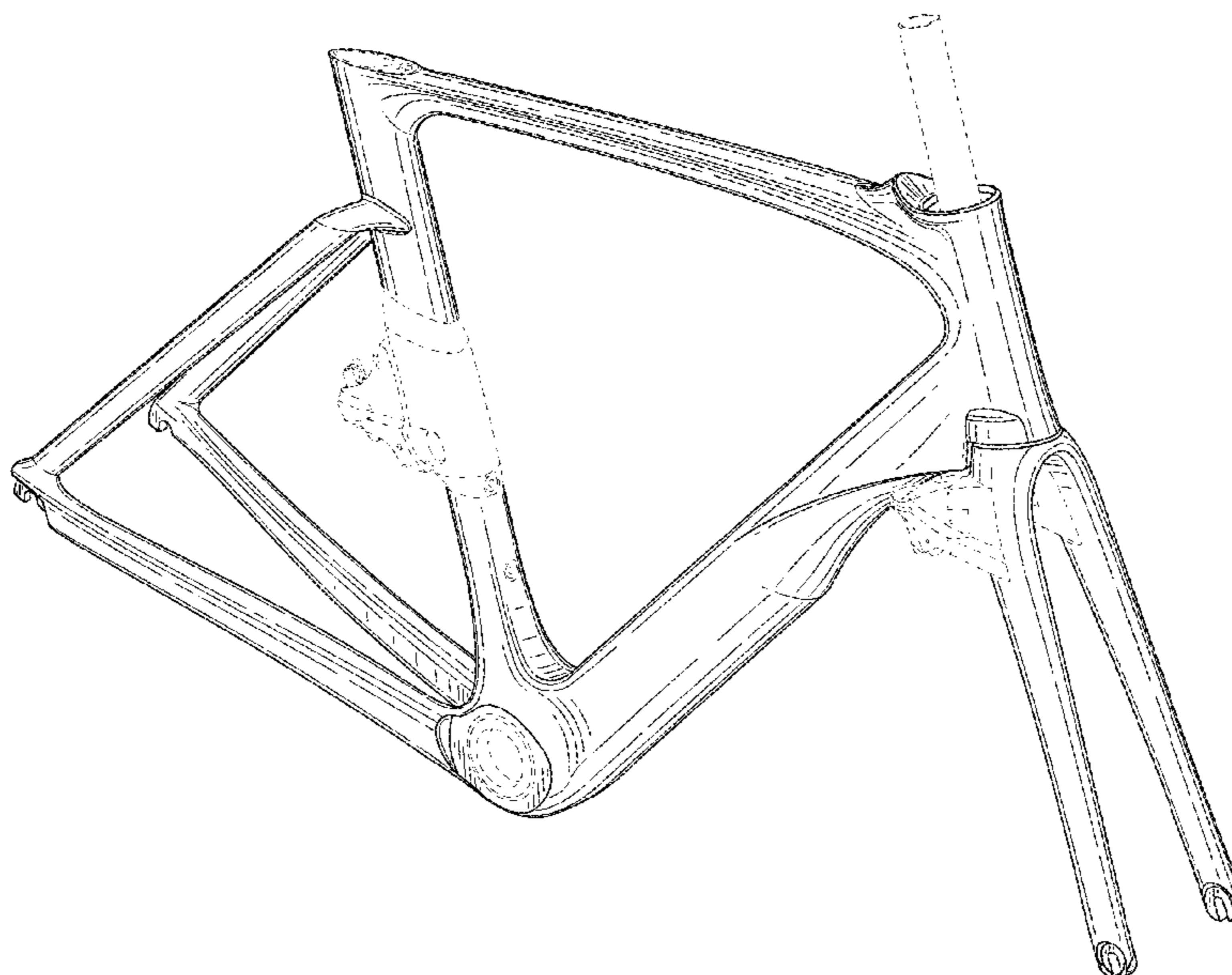
(57) **CLAIM**

We claim the ornamental design for a bicycle frame, as
shown and described.

DESCRIPTION

FIG. 1 is a perspective view of a bicycle frame embodying
the present invention.
FIG. 2 is a right side view of the bicycle frame of FIG. 1.
FIG. 3 is a left side view of the bicycle frame of FIG. 1.
FIG. 4 is a front view of the bicycle frame of FIG. 1.
FIG. 5 is a rear view of the bicycle frame of FIG. 1.
FIG. 6 is a top view of the bicycle frame of FIG. 1; and,
FIG. 7 is a bottom view of the bicycle frame of FIG. 1.
The broken lines in the drawings illustrate portions of the
bicycle frame that forms no part of the claimed design.

1 Claim, 5 Drawing Sheets



(56)

References Cited

U.S. PATENT DOCUMENTS

7,938,425 B2	5/2011	Chamberlain	8,857,841 B2	10/2014	Lund et al.
7,954,837 B2	6/2011	Talavasek	D719,488 S *	12/2014	Stafford D12/111
7,963,541 B2	6/2011	Chamberlain	D719,880 S *	12/2014	Juarez D12/111
8,002,092 B2	8/2011	McAndrews	D724,498 S *	3/2015	Eagleman D12/111
8,006,993 B1	8/2011	Chamberlain	D726,075 S *	4/2015	D'Aluisio D12/111
8,042,822 B2	10/2011	D'Aluisio	D734,692 S *	7/2015	D'Aluisio D12/111
8,075,010 B2	12/2011	Talavasek et al.	2007/0246909 A1	10/2007	Weng
8,132,824 B2	3/2012	Sloan et al.	2008/0054595 A1	3/2008	Lu
8,167,327 B2	5/2012	Chamberlain	2008/0238030 A1	10/2008	Tseng
D662,011 S	6/2012	D'Aluisio et al.	2008/0238031 A1	10/2008	Tseng
8,197,371 B2	6/2012	D'Aluisio	2009/0001685 A1	1/2009	Talavasek et al.
8,342,302 B2	1/2013	McAndrews et al.	2009/0267317 A1	10/2009	Yang
8,403,350 B2	3/2013	Talavasek et al.	2010/0096832 A1	4/2010	Pinarello
8,408,574 B2	4/2013	Callahan et al.	2010/0225089 A1	9/2010	Chamberlain
8,430,417 B1	4/2013	Galson	2010/0327556 A1	12/2010	Chamberlain
8,439,383 B2	5/2013	Talavasek	2011/0233222 A1	9/2011	Bethlenfalvy
8,454,044 B2	6/2013	Chubbuck et al.	2011/0278816 A1	11/2011	Chamberlain
8,459,680 B2	6/2013	Chamberlain	2011/0285106 A1	11/2011	Talavasek
8,459,681 B2	6/2013	Chamberlain	2012/0074666 A1	3/2012	Chamberlain
8,480,064 B2	7/2013	Talavasek	2012/0169028 A1	7/2012	Lund et al.
8,496,262 B2	7/2013	Callahan et al.	2012/0200060 A1	8/2012	D'Aluisio et al.
D689,407 S	9/2013	Kim	2012/0299268 A1	11/2012	Chamberlain
D689,408 S *	9/2013	Kim D12/111	2013/0076001 A1	3/2013	D'Aluisio
D693,740 S	11/2013	Eagleman et al.	2013/0147152 A1	6/2013	Paquin et al.
8,696,007 B2	4/2014	Jankura et al.	2013/0214507 A1	8/2013	O'Connor
8,727,368 B1	5/2014	Wroblewski	2013/0221633 A1	8/2013	Jankura et al.
D714,878 S	10/2014	Bean et al.	2013/0300085 A1	11/2013	Zecchetto
			2014/0054873 A1	2/2014	Cocalis
			2014/0103617 A1	4/2014	Chamberlain
			2014/0117643 A1	5/2014	Wroblewski

* cited by examiner

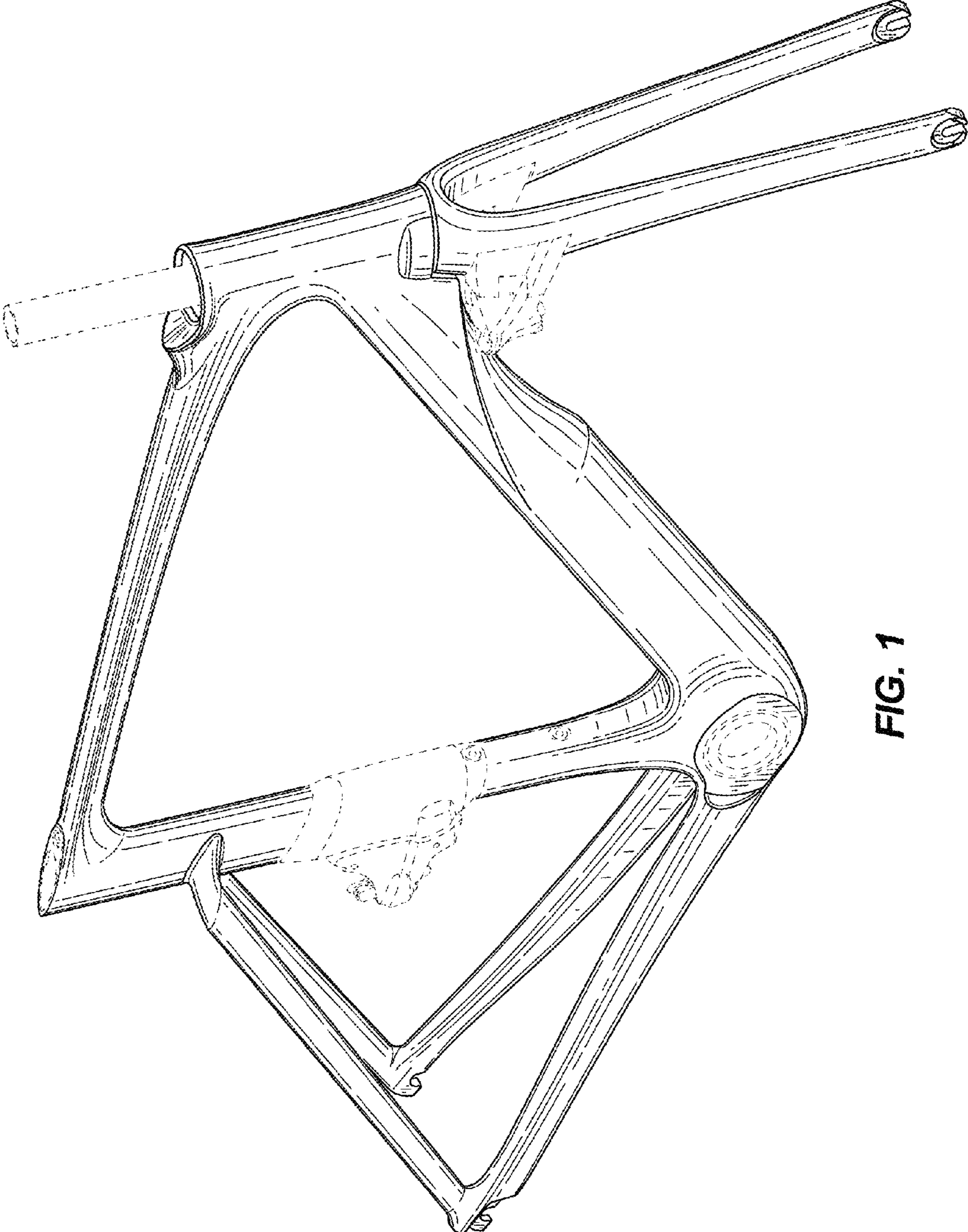
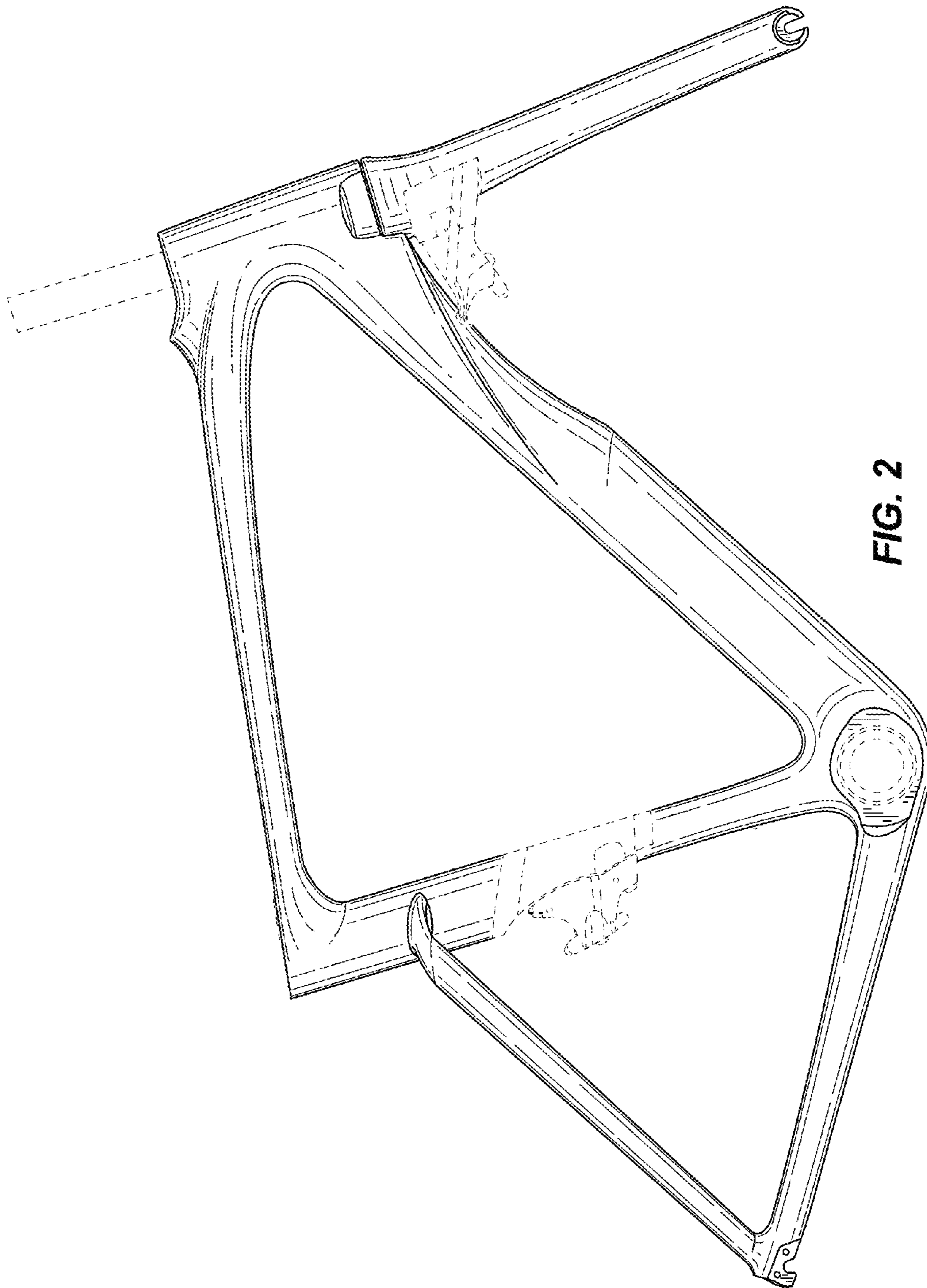


FIG. 1



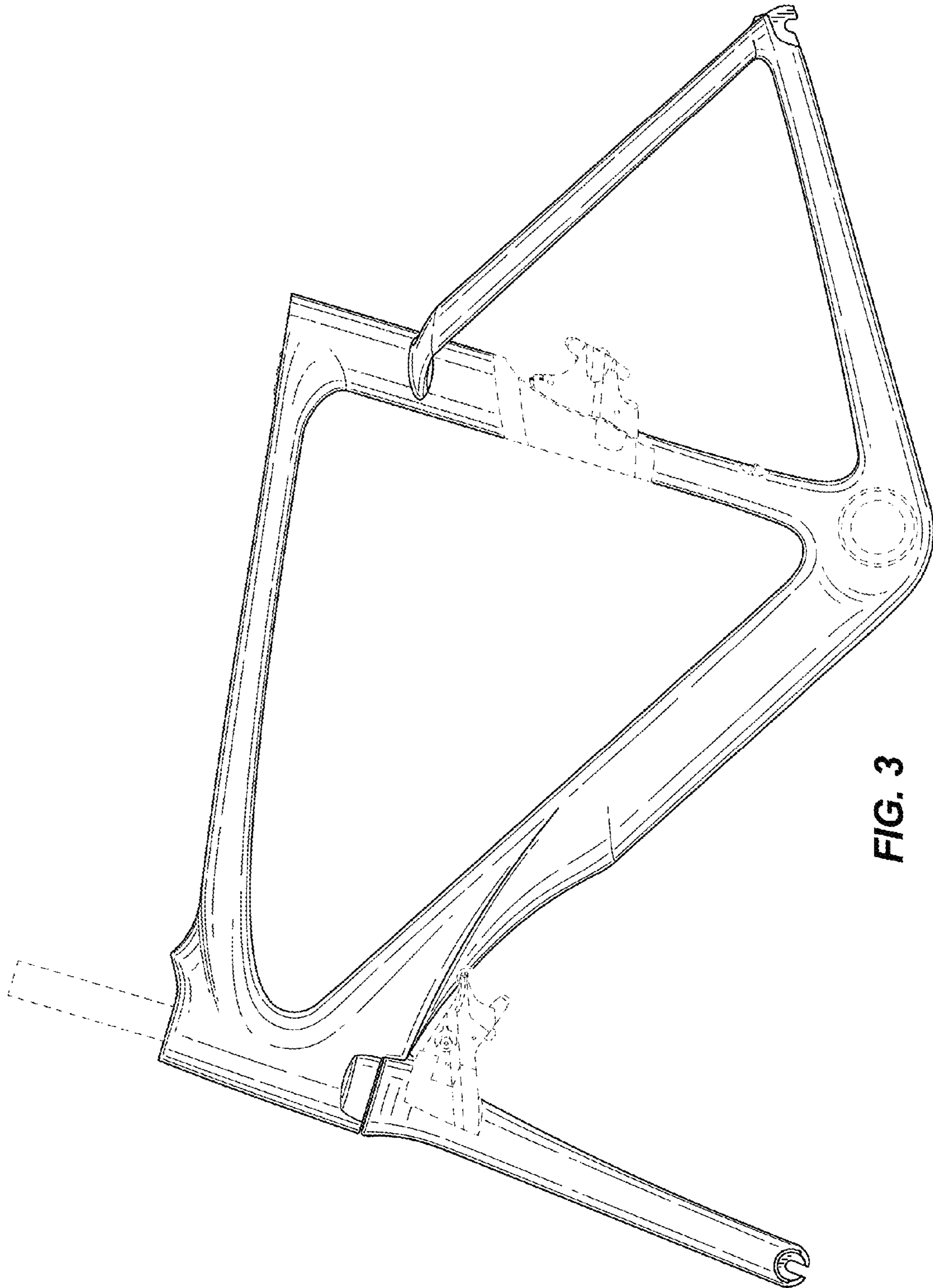


FIG. 3

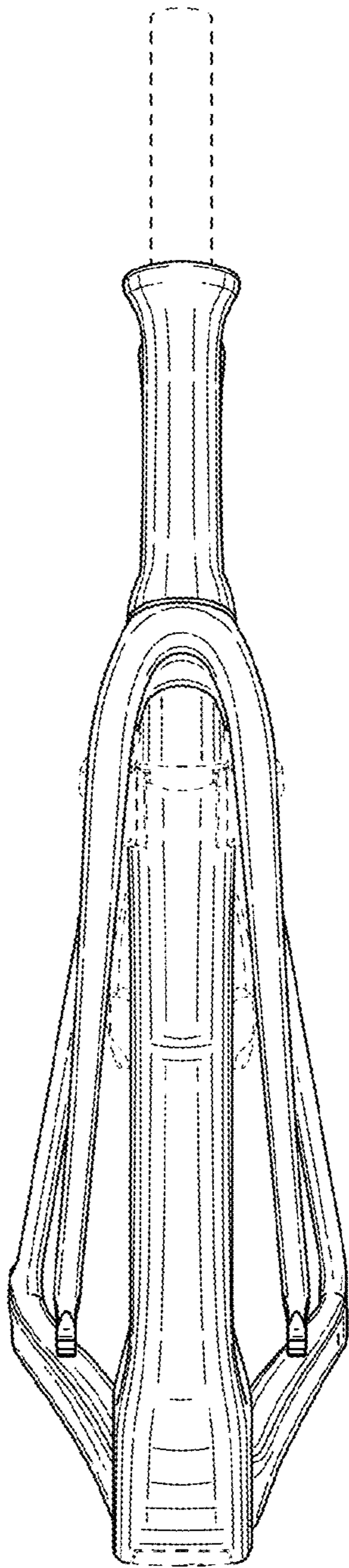


FIG. 4

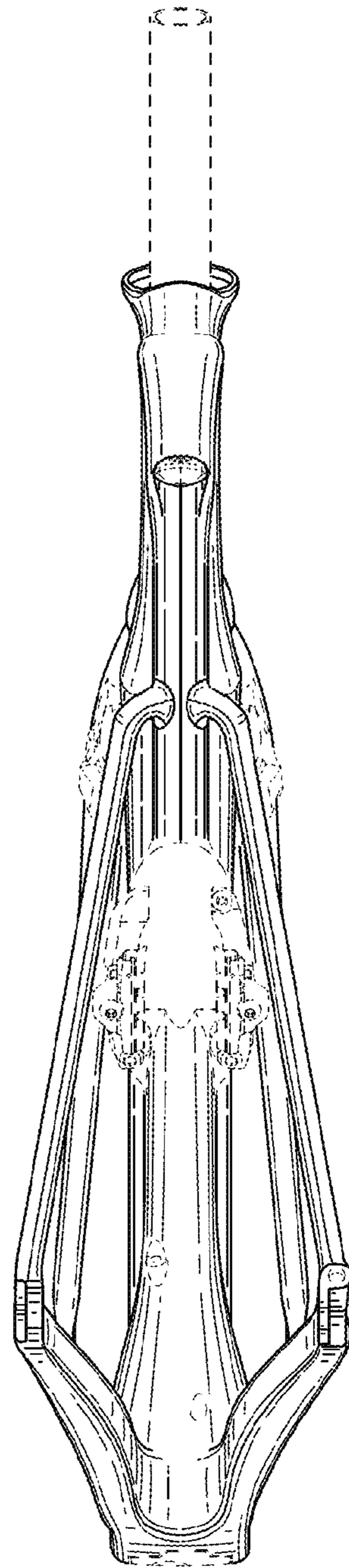


FIG. 5

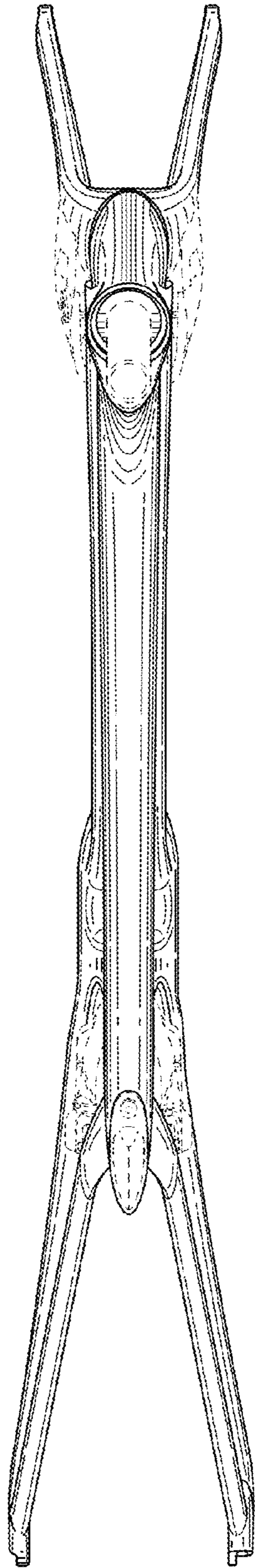


FIG. 6

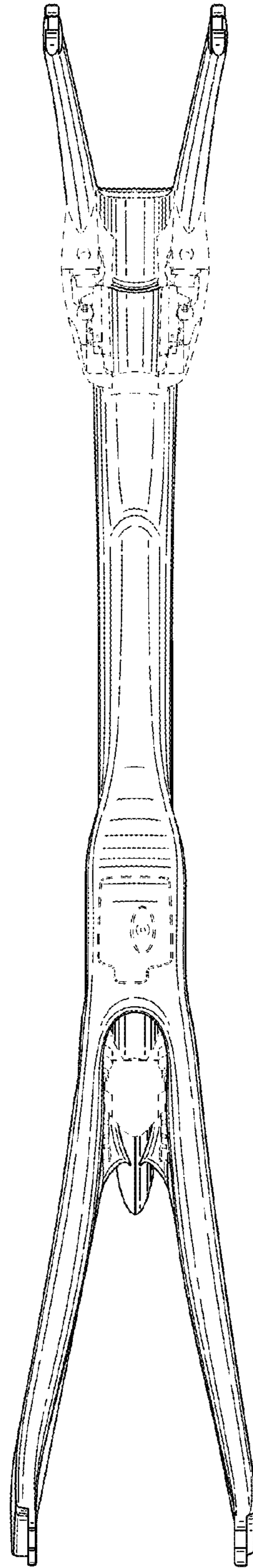


FIG. 7