

US00D774968S

(12) **United States Design Patent**
Humphries

(10) **Patent No.:** **US D774,968 S**

(45) **Date of Patent:** **** Dec. 27, 2016**

(54) **BICYCLE**

(71) Applicant: **Justin Humphries**, Riverton, WY (US)

(72) Inventor: **Justin Humphries**, Riverton, WY (US)

(**) Term: **14 Years**

(21) Appl. No.: **29/516,713**

(22) Filed: **Feb. 5, 2015**

(51) **LOC (10) Cl.** **12-11**

(52) **U.S. Cl.**
USPC **D12/111**

(58) **Field of Classification Search**

USPC D12/111, 117; 280/274–280, 281.1,
280/283–288, 288.1–288.4

CPC B62K 3/00; B62K 3/005; B62K 9/00;
B62K 19/00; B62K 19/02; B62K 19/04;
B62K 19/06; B62K 19/16

See application file for complete search history.

(56) **References Cited**

U.S. PATENT DOCUMENTS

D220,024 S *	2/1971	Fujiyoshi et al.	D12/111
4,760,840 A	8/1988	Fournier, Jr. et al.		
D317,142 S *	5/1991	Smith	D12/111
D400,826 S *	11/1998	Accerenzi	D12/111
D430,823 S *	9/2000	Nakai	D12/111
D449,020 S *	10/2001	Yang	D12/111
D450,014 S *	11/2001	Chiappetta	D12/111
D450,015 S *	11/2001	Lai	D12/111
D460,025 S *	7/2002	Yu	D12/111
6,588,788 B2 *	7/2003	Clark	B62J 27/00 280/288.4
D478,534 S *	8/2003	Clark	D12/111
6,623,023 B2 *	9/2003	Niitsu	B62K 15/008 180/220
D487,234 S *	3/2004	Chen	D12/111
D494,508 S *	8/2004	Liu	D12/111

D497,122 S *	10/2004	Uenaka	D12/111
D500,713 S *	1/2005	Gunter	D12/111
7,156,409 B2 *	1/2007	Chuang	B62K 15/006 280/278
D536,645 S *	2/2007	Cole	D12/111
D614,538 S *	4/2010	Rochon	D12/111
D617,687 S *	6/2010	Brady	D12/111
D643,785 S	8/2011	Kyu		
8,128,113 B2	3/2012	Fioravanti et al.		
D662,445 S	6/2012	Ulmonen		
D671,173 S	11/2012	Tompkin		
D689,409 S *	9/2013	Yap	D12/111
D696,983 S	1/2014	Bisges et al.		

OTHER PUBLICATIONS

McLaren, Warren. "21 Small Wheel Bicycles—The Zippy Revolution." Tree Hugger., Oct. 20, 2008 [online], [retrieved on Jul. 20, 2016]. Retrieved from the Internet <URL: <http://www.treehugger.com/bikes/21-small-wheel-bicycles-the-zippy-revolution.html>>.*

(Continued)

Primary Examiner — Darlington Ly

(57) **CLAIM**

The ornamental design for a bicycle, as shown and described.

DESCRIPTION

FIG. 1 is a left side view of a bicycle showing my new design;

FIG. 2 is a right side view of the bicycle;

FIG. 3 is a top view of the bicycle;

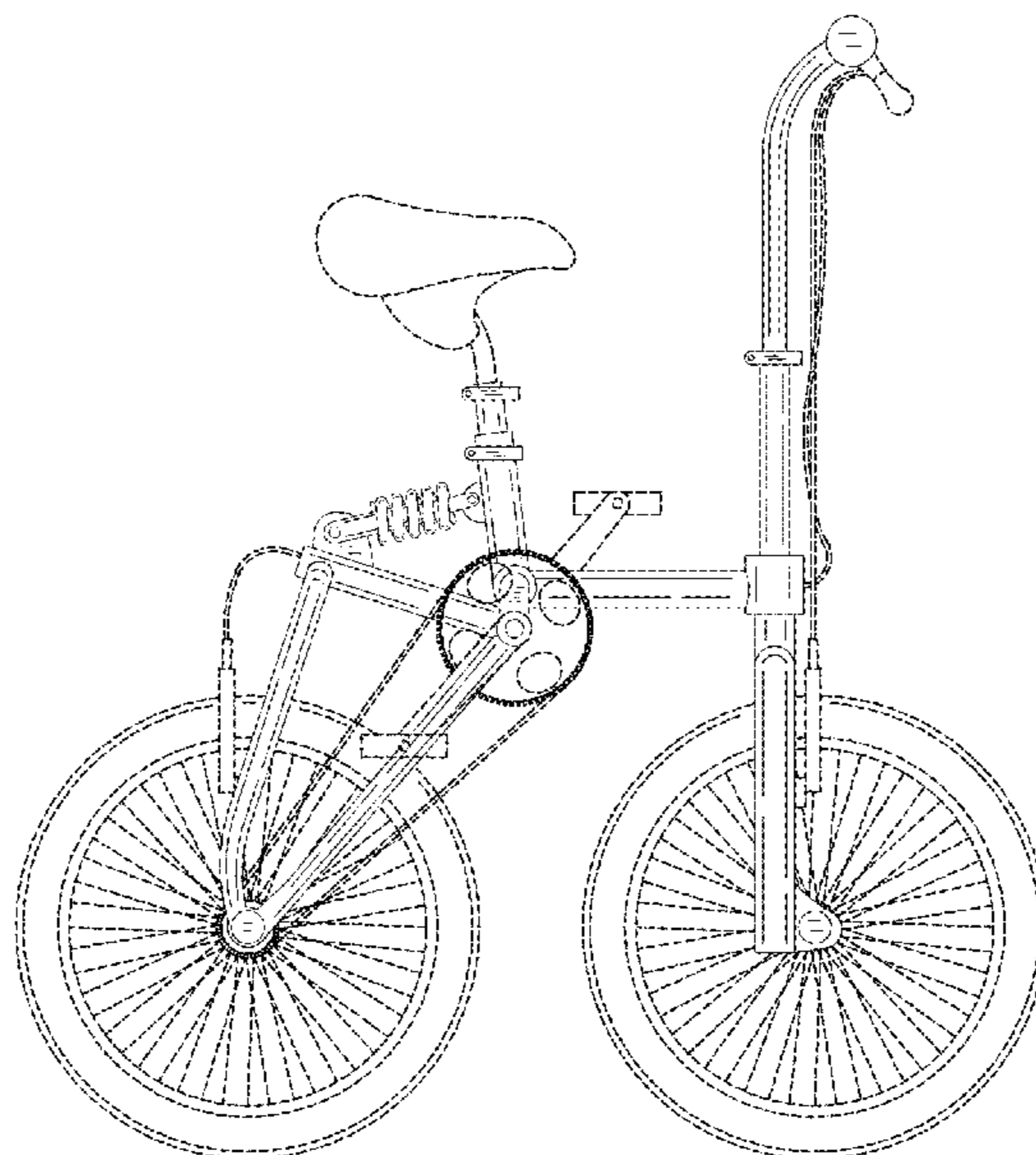
FIG. 4 is a bottom view of the bicycle;

FIG. 5 is a back view of the bicycle; and,

FIG. 6 is a front view of the bicycle.

The broken lines in the drawings illustrate portions of the bicycle that forms no part of the claimed design.

1 Claim, 4 Drawing Sheets



(56)

References Cited

OTHER PUBLICATIONS

“2012 KHS Iped Mini Compact Bike \$450.” Brox River Bicycle Works., Jul. 9, 2011 [online], [retrieved on Jul. 20, 2016]. Retrieved from the Internet <URL: <https://bronxriverbicycleworks.com/new-bicycles/bicycles/iped-10/>>.*

Boeriu, Horatiu. “Mini Folding Bike: The new foldable Mini.” BMW Blog., Mar. 10, 2013 [online], [retrieved on Jul. 20, 2016]. Retrieved from the Internet <URL: <http://www.bmwblog.com/2013/03/10/mini-folding-bike-the-new-foldable-mini/>>.*

* cited by examiner

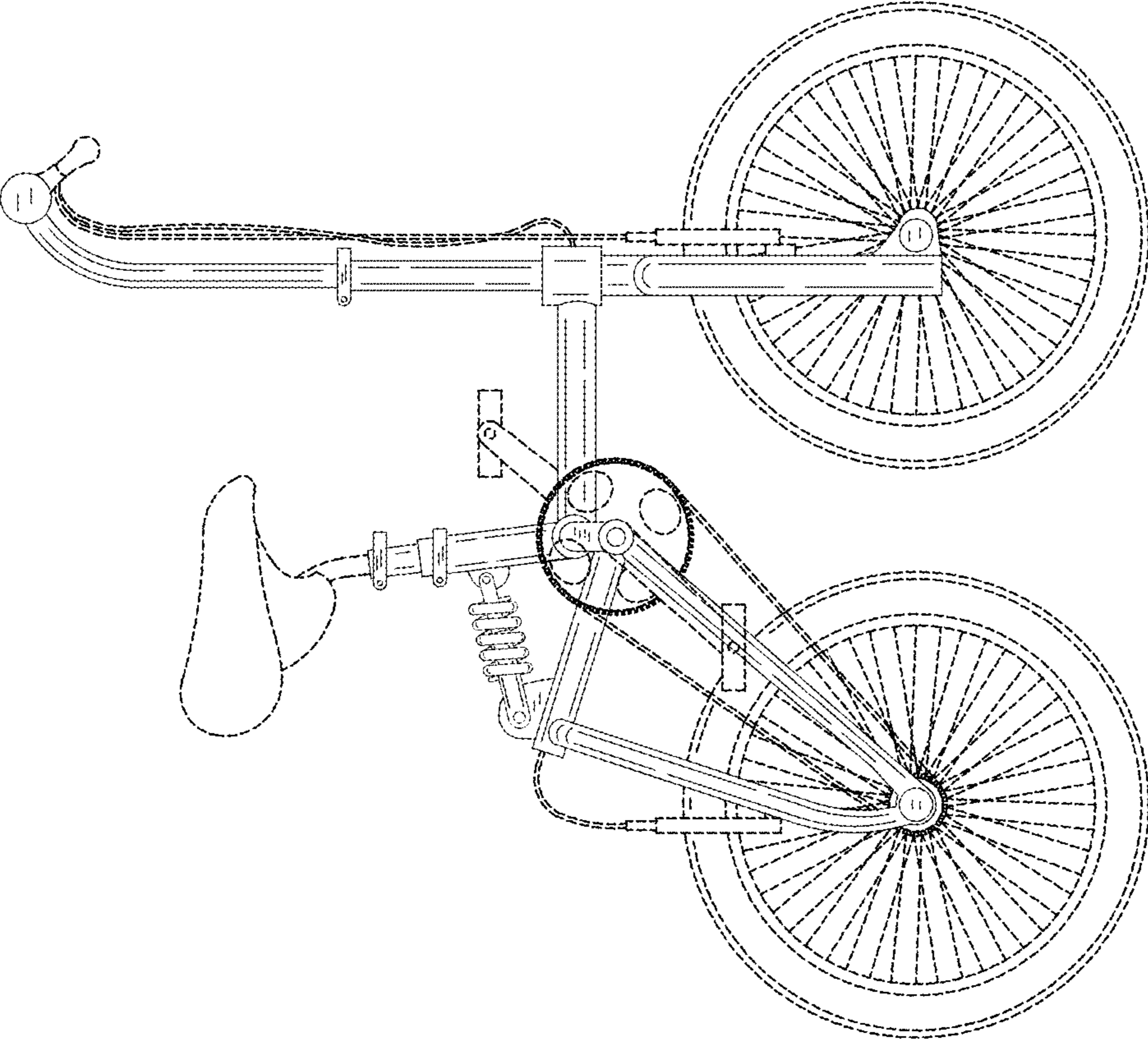


FIG. 1

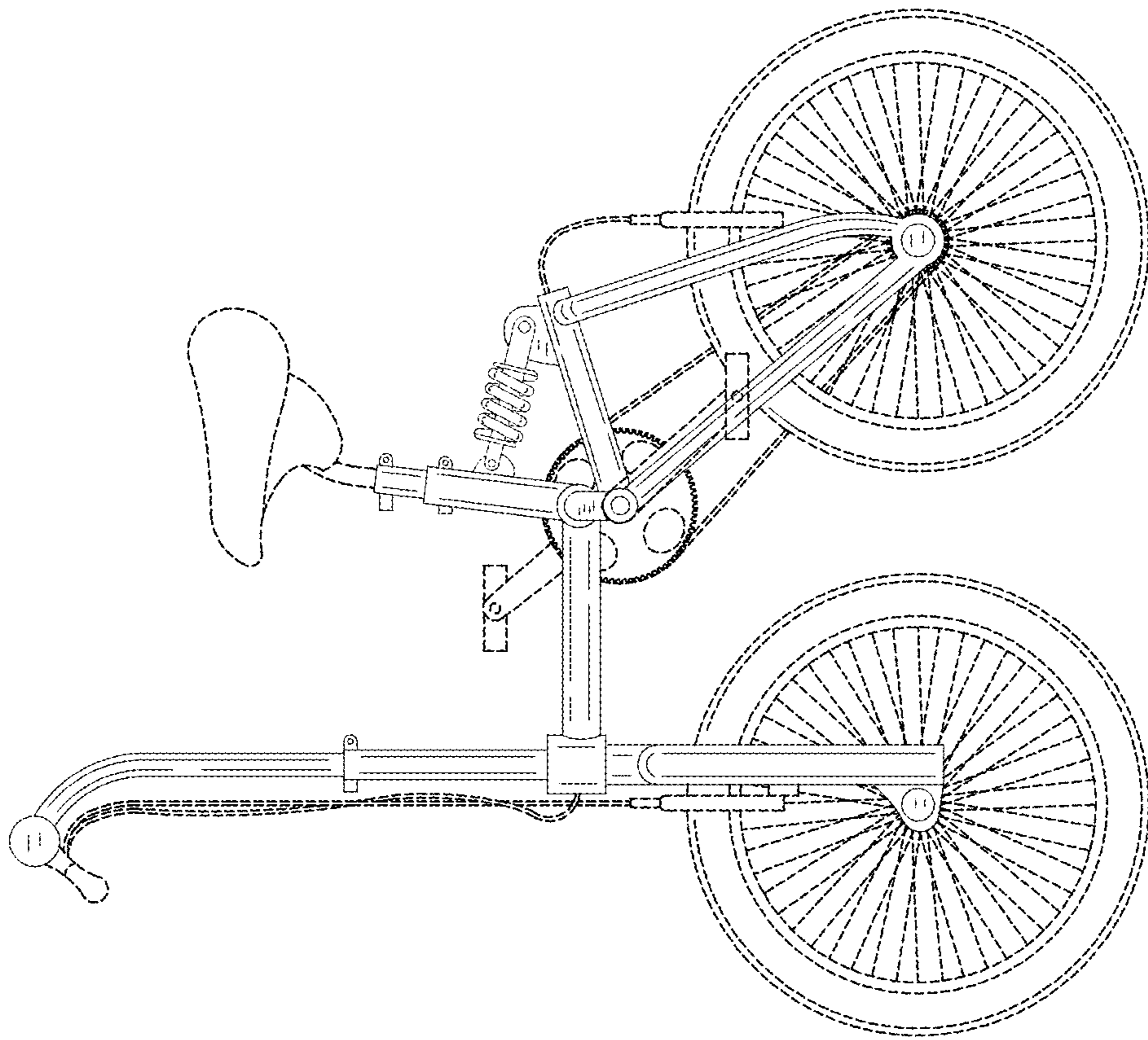


FIG. 2

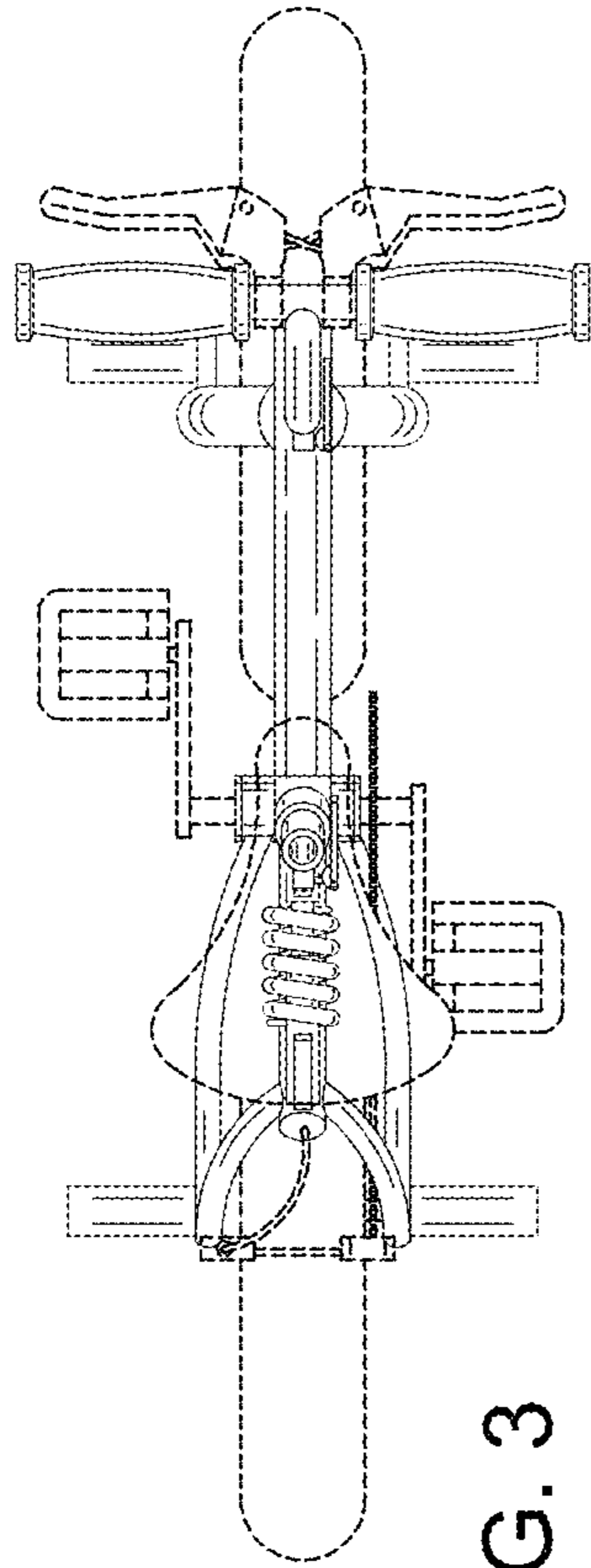


FIG. 3

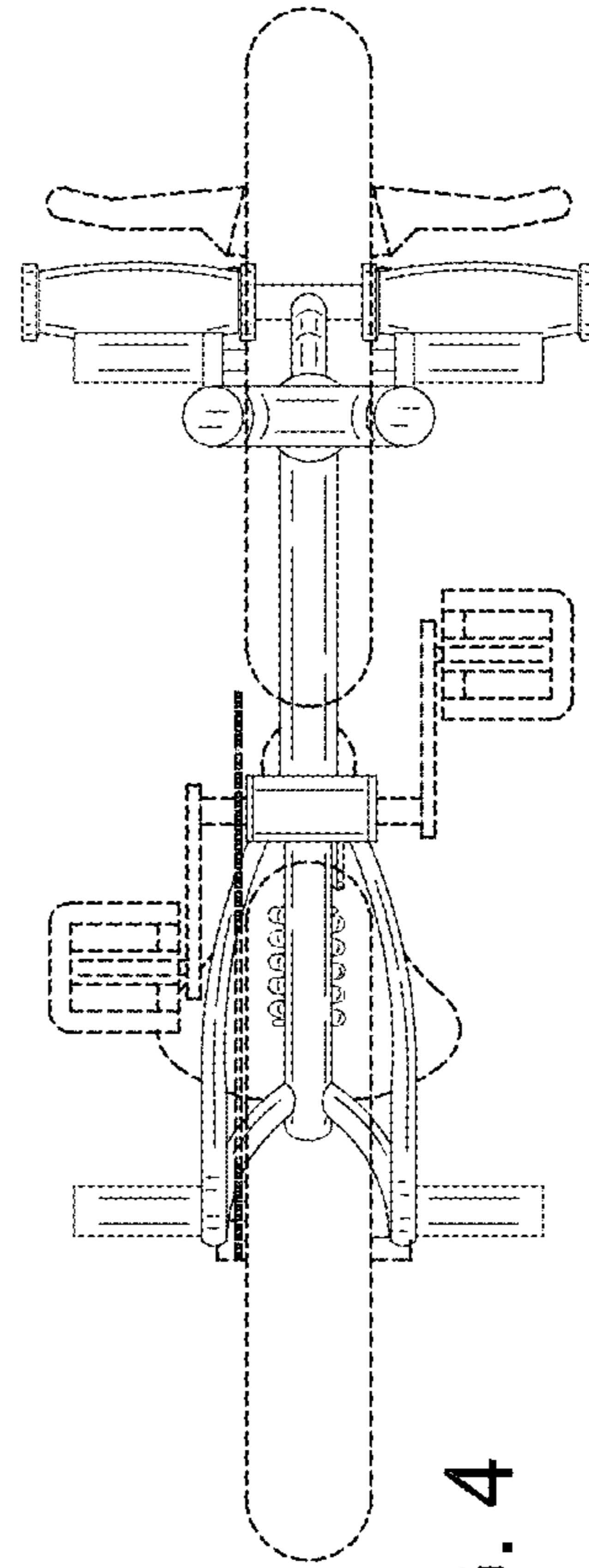


FIG. 4

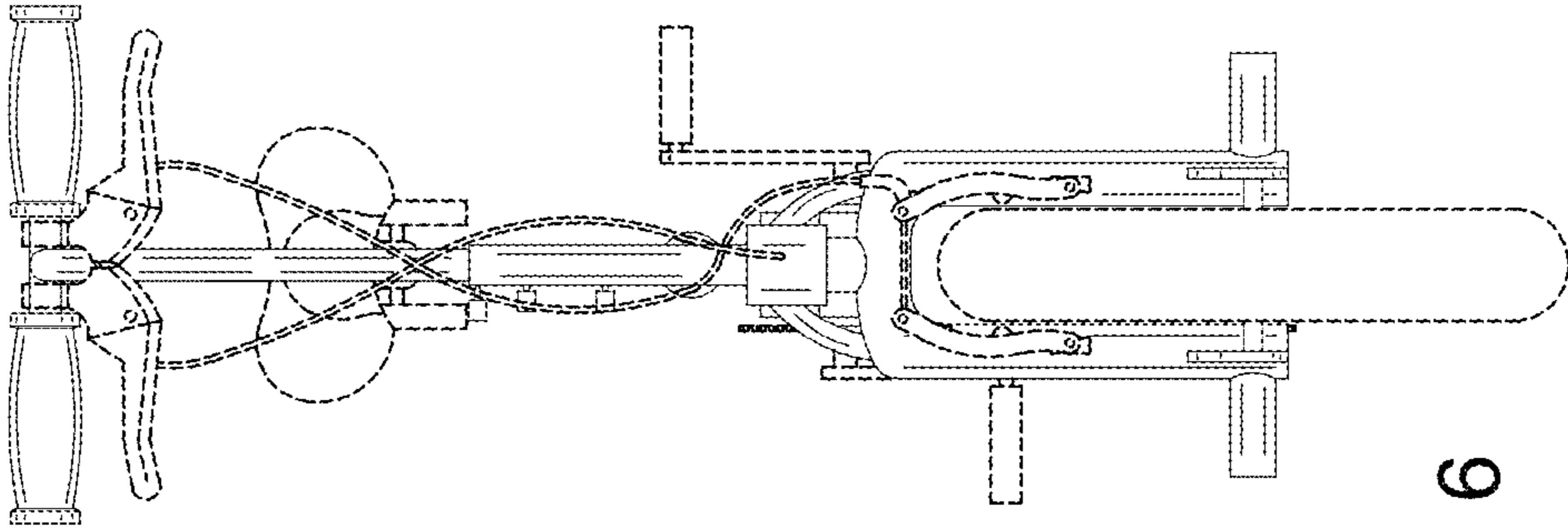


FIG. 6

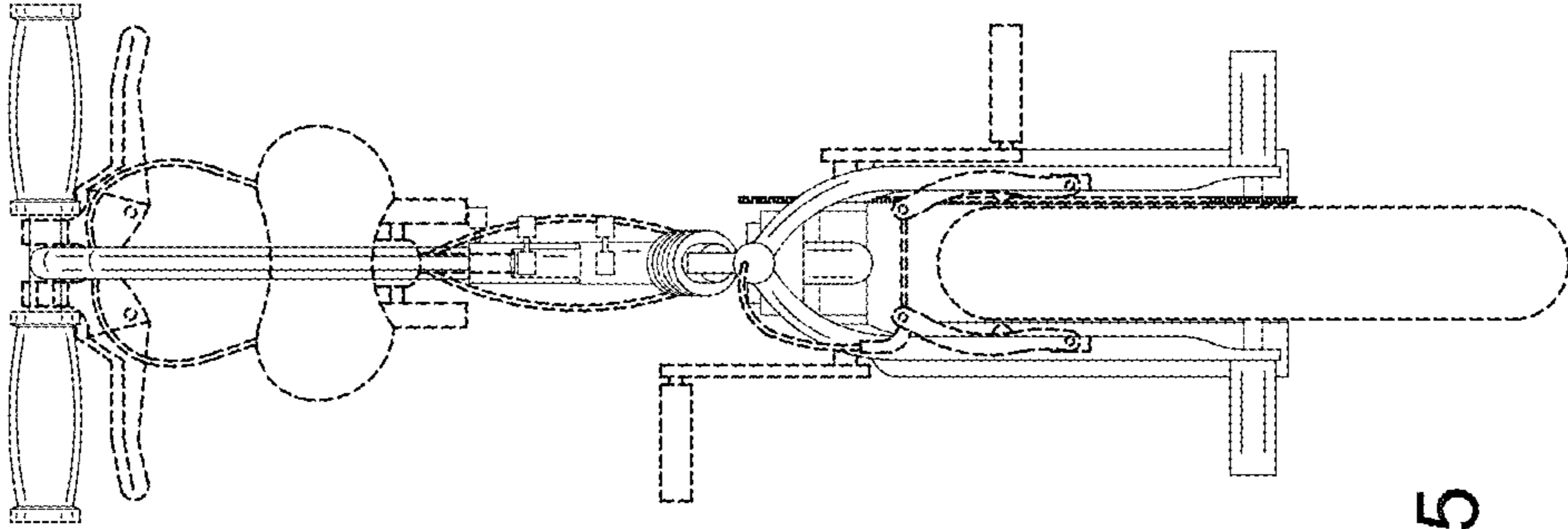


FIG. 5