



US00D774967S

(12) **United States Design Patent** (10) **Patent No.:** **US D774,967 S**  
**O' Sullivan** (45) **Date of Patent:** **\*\* Dec. 27, 2016**

(54) **BICYCLE FRAME**

(71) Applicant: **Paul O' Sullivan**, Bilinga (AU)

(72) Inventor: **Paul O' Sullivan**, Bilinga (AU)

(\*\*) Term: **14 Years**

(21) Appl. No.: **29/509,176**

(22) Filed: **Nov. 14, 2014**

(30) **Foreign Application Priority Data**

May 29, 2014 (AU) ..... 12645/2014

(51) **LOC (10) Cl.** ..... **12-11**

(52) **U.S. Cl.**  
USPC ..... **D12/111**

(58) **Field of Classification Search**  
USPC ..... D12/111, 117; 280/274-280, 281.1,  
280/283-288, 288.1-288.4  
CPC ..... B62K 3/00; B62K 3/005; B62K 9/00;  
B62K 19/00; B62K 19/02; B62K 19/04;  
B62K 19/06; B62K 19/16  
See application file for complete search history.

(56) **References Cited**

**U.S. PATENT DOCUMENTS**

D347,603 S *	6/1994	Fritschen .....	D12/111
D349,869 S *	8/1994	Burrows et al. ....	D12/111
D357,651 S *	4/1995	Isaac et al. ....	D12/111
D364,365 S *	11/1995	Lin et al. ....	D12/111
D368,678 S *	4/1996	Wilcox et al. ....	D12/111
D369,330 S *	4/1996	Hill et al. ....	D12/111
D371,093 S *	6/1996	Allsop et al. ....	D12/111
D375,282 S *	11/1996	Lee .....	D12/117
D376,123 S *	12/1996	Camfield .....	D12/114

D383,100 S *	9/1997	Lee .....	D12/111
D385,228 S *	10/1997	Thompson et al. ....	D12/111
D389,787 S *	1/1998	Zeigle et al. ....	D12/111
D396,831 S *	8/1998	Aprilante et al. ....	D12/111
D412,465 S *	8/1999	Patterson .....	D12/111
D424,478 S *	5/2000	Parkin et al. ....	D12/111
D478,299 S *	8/2003	Hartman .....	D12/111
D479,495 S *	9/2003	Thorpe .....	D12/117
D505,891 S *	6/2005	Drew et al. ....	D12/111
D514,031 S *	1/2006	Drew et al. ....	D12/111
D520,411 S *	5/2006	Schober .....	D12/111
D590,750 S *	4/2009	Hays .....	D12/111
D623,094 S *	9/2010	Carmona .....	D12/111
D626,893 S *	11/2010	Chiu .....	D12/111
7,980,579 B2 *	7/2011	Buckley .....	280/284
D672,690 S *	12/2012	Augustin .....	D12/111
8,801,023 B2 *	8/2014	Chamberlain .....	280/284

\* cited by examiner

*Primary Examiner* — Darlington Ly  
(74) *Attorney, Agent, or Firm* — Oliff PLC

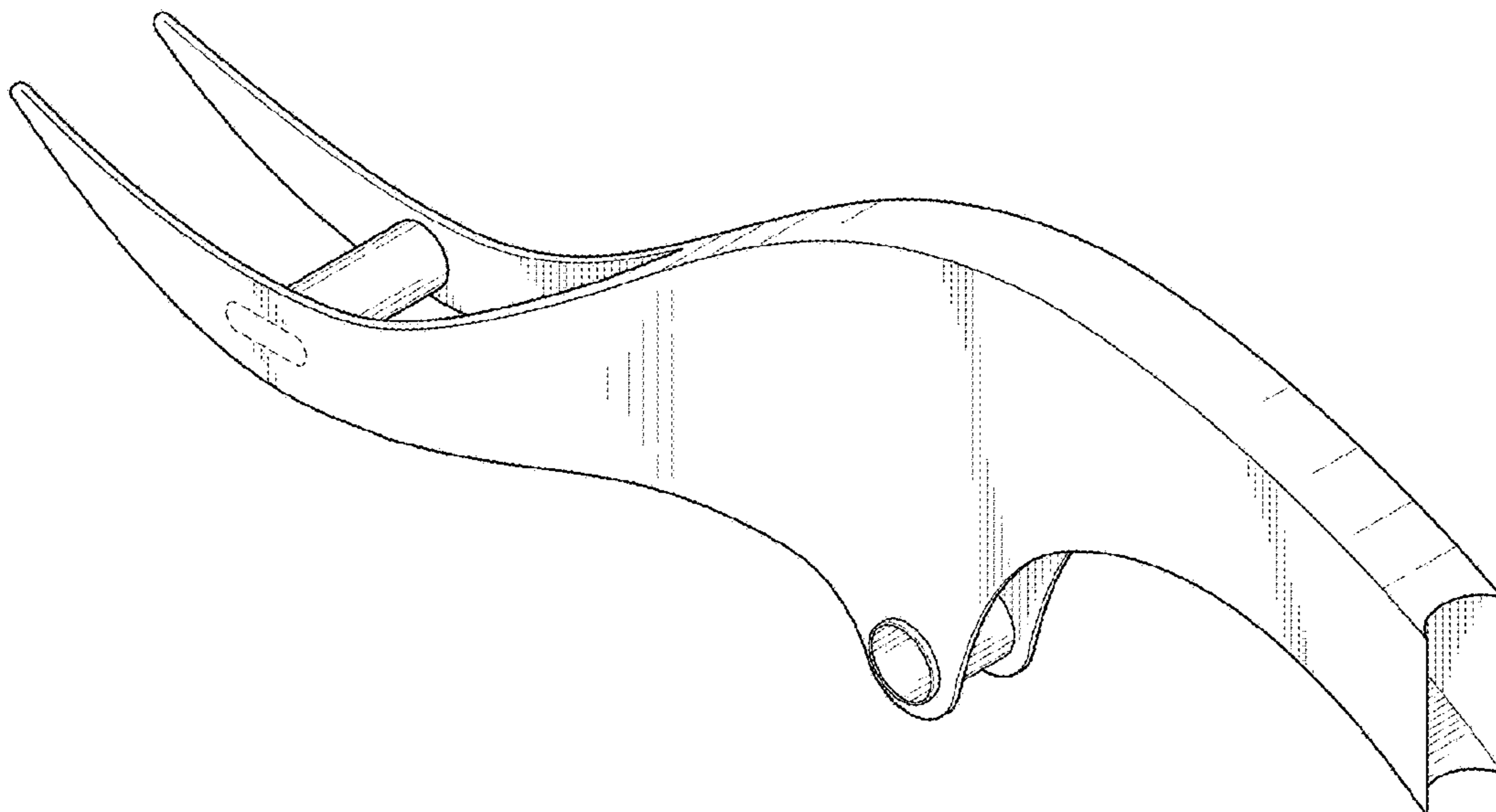
(57) **CLAIM**

The ornamental design for a bicycle frame, as shown and described.

**DESCRIPTION**

FIG. 1 is a front, left-side perspective view of the bicycle frame;  
FIG. 2 is a top plan view thereof;  
FIG. 3 is a left-side elevational view thereof, the right-side elevational view thereof (not shown) being a mirror image of the left-side elevational view;  
FIG. 4 is a front elevational view thereof; and,  
FIG. 5 is a rear elevational view thereof.  
The broken lines in the drawings illustrate portions of the bicycle frame that form no part of the claimed design.

**1 Claim, 3 Drawing Sheets**



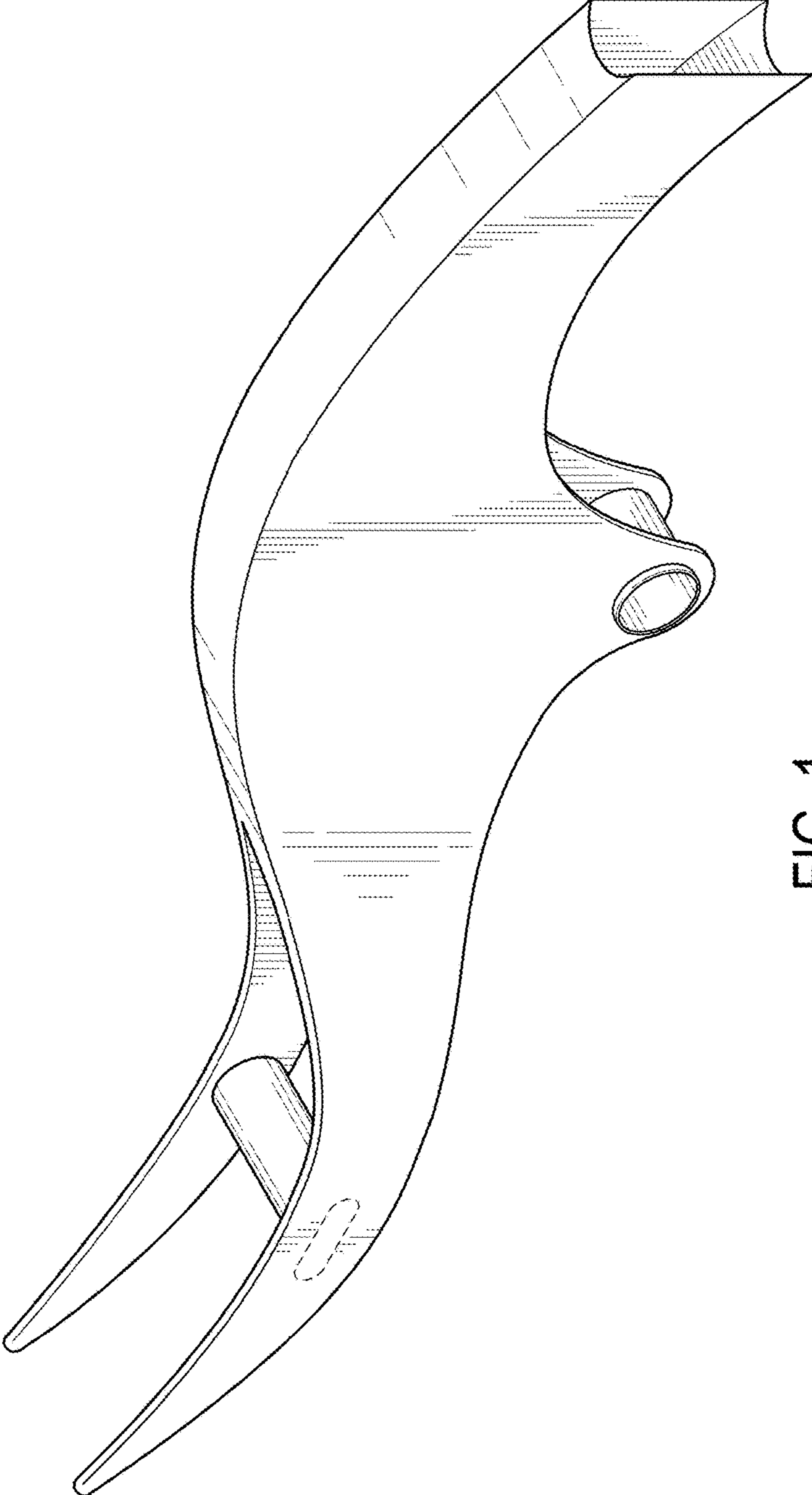


FIG. 1

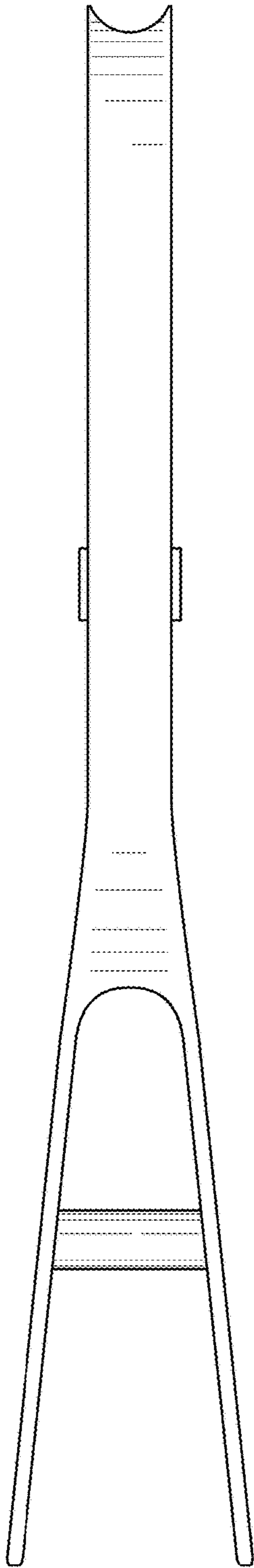


FIG. 3

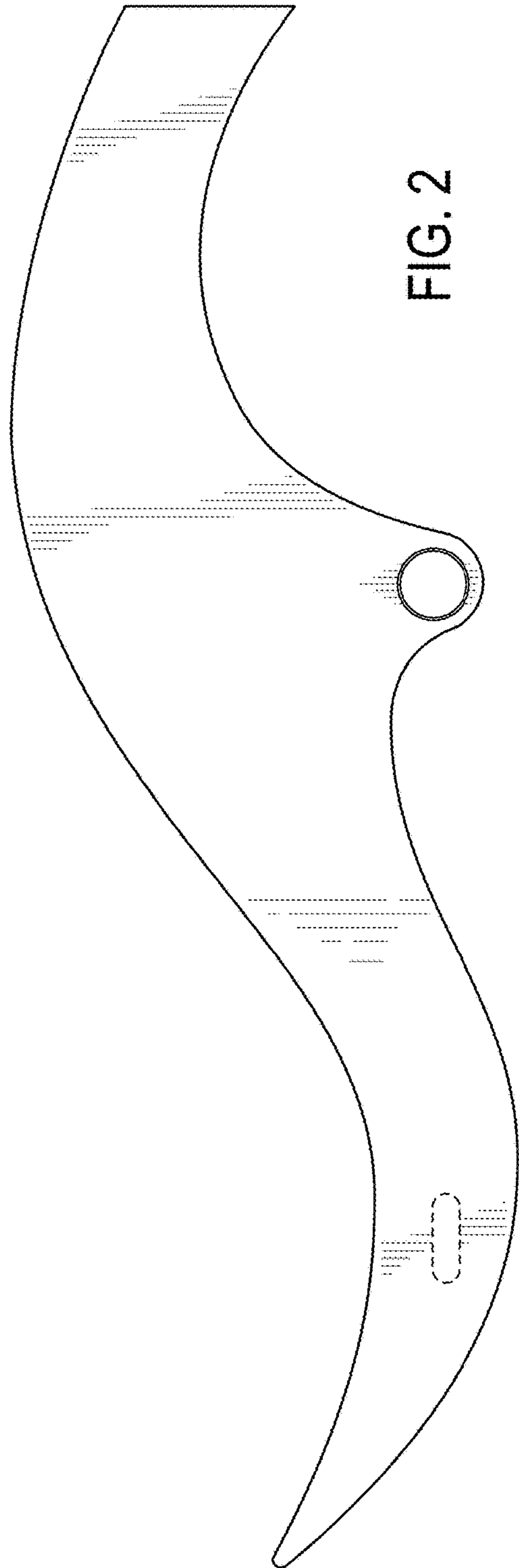


FIG. 2

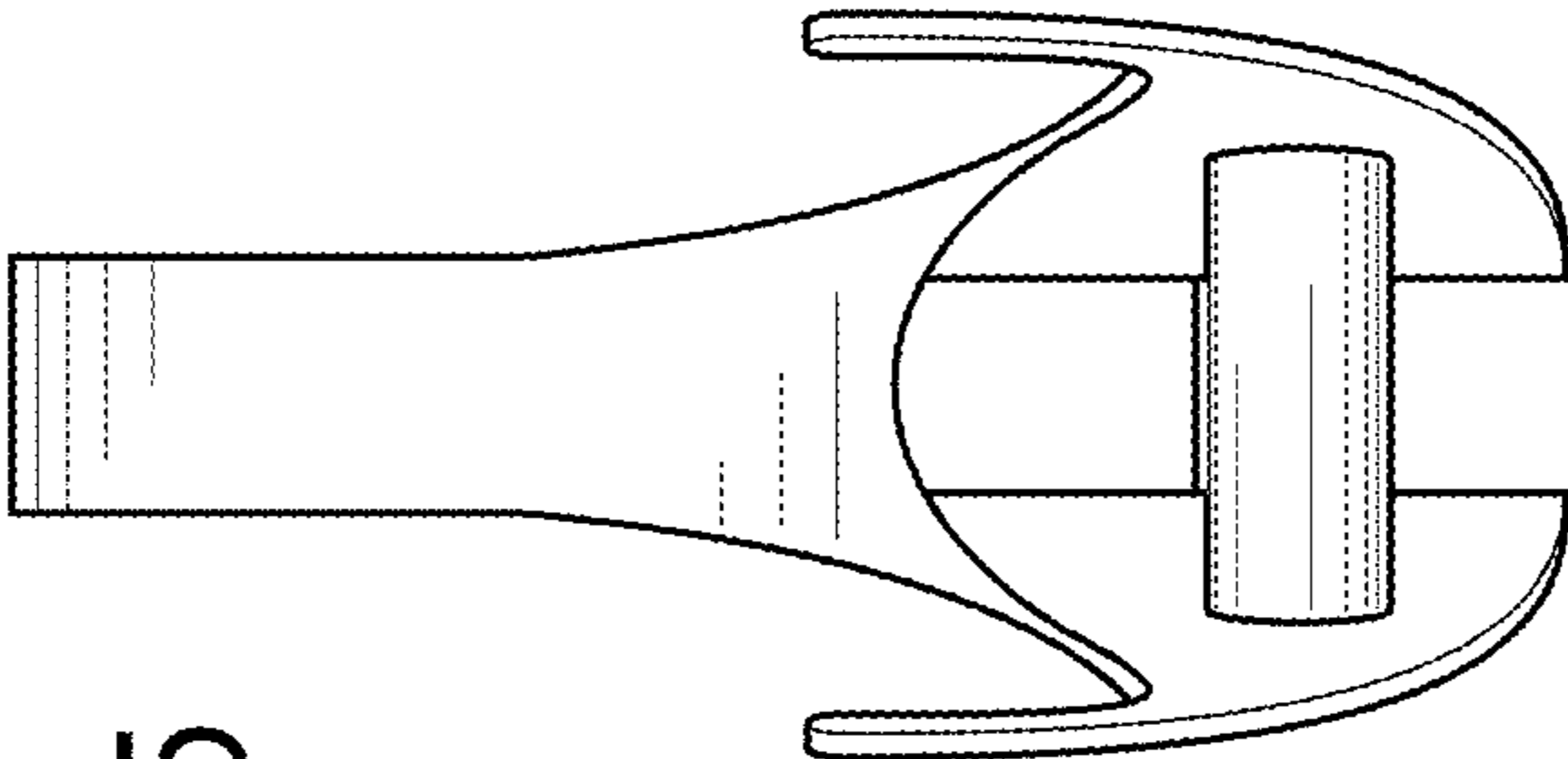


FIG. 5

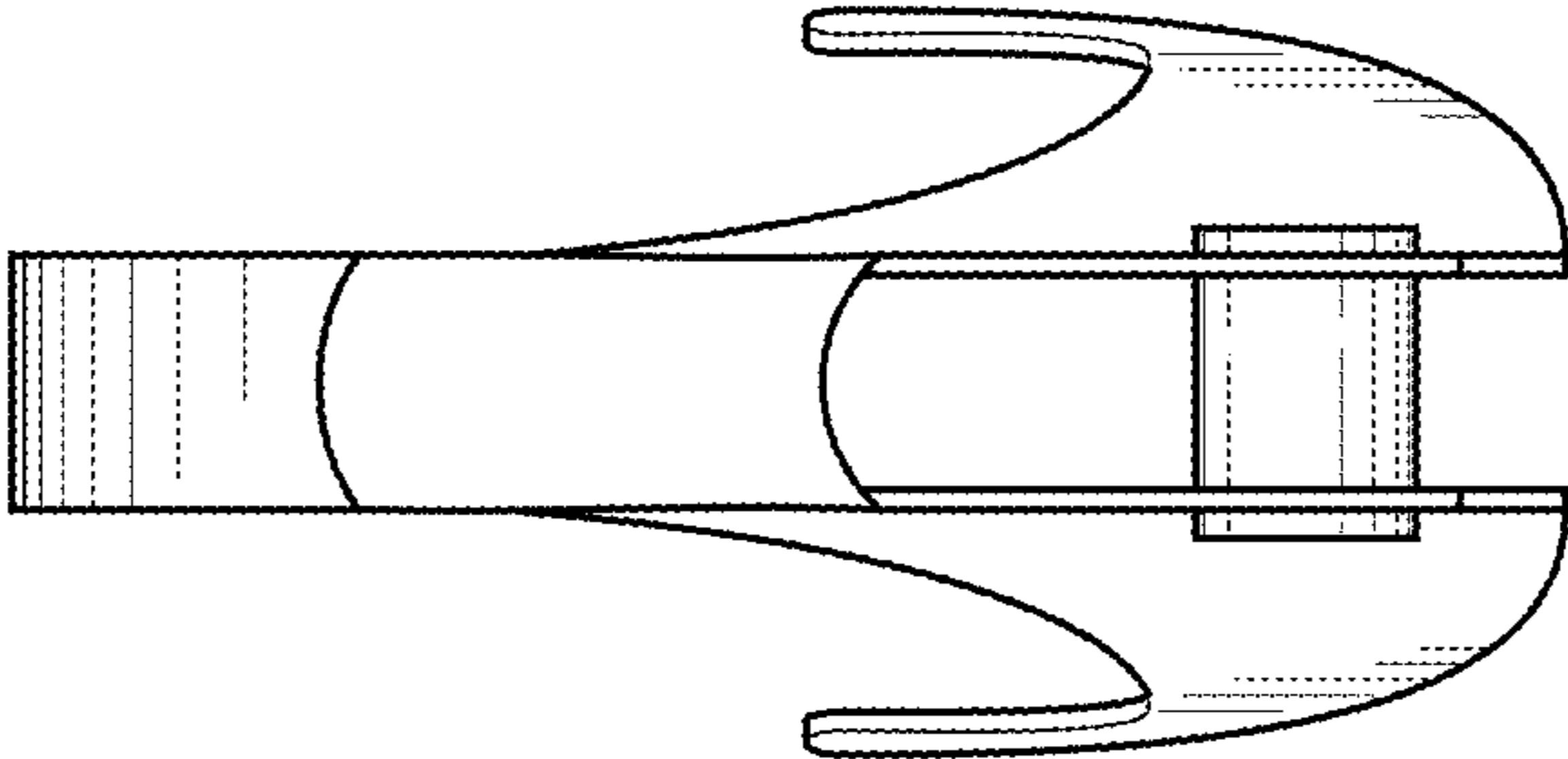


FIG. 4